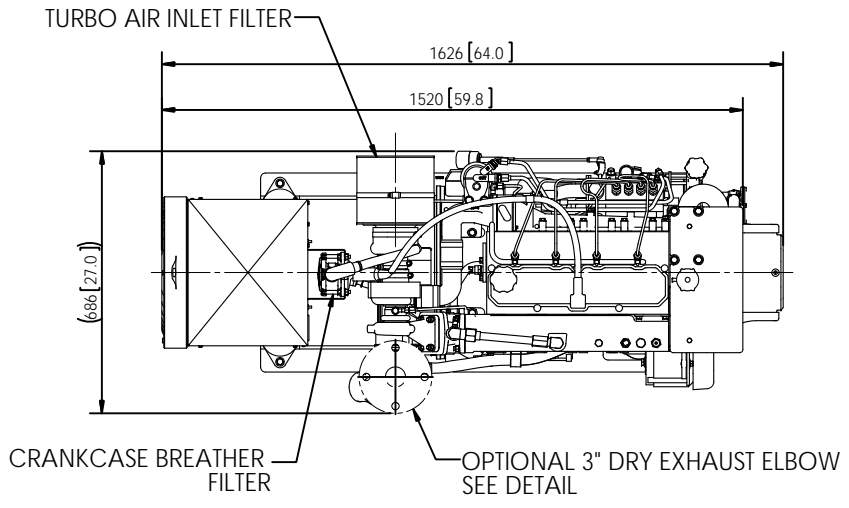
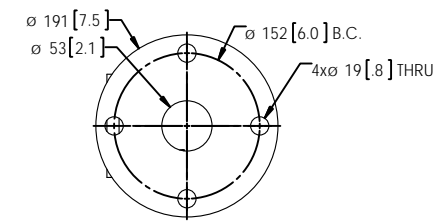


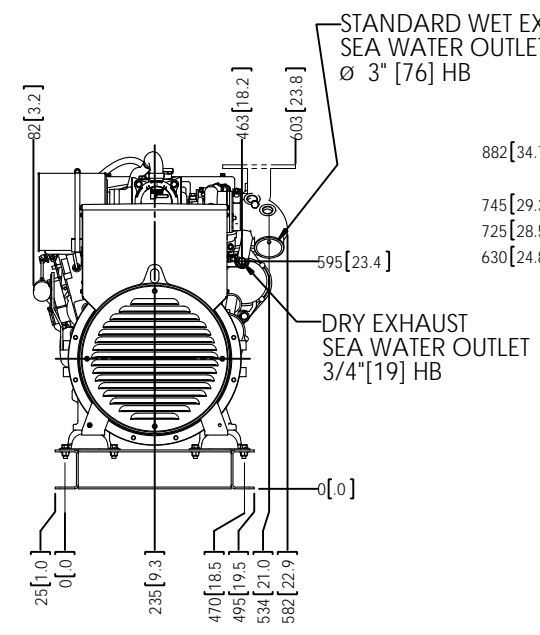
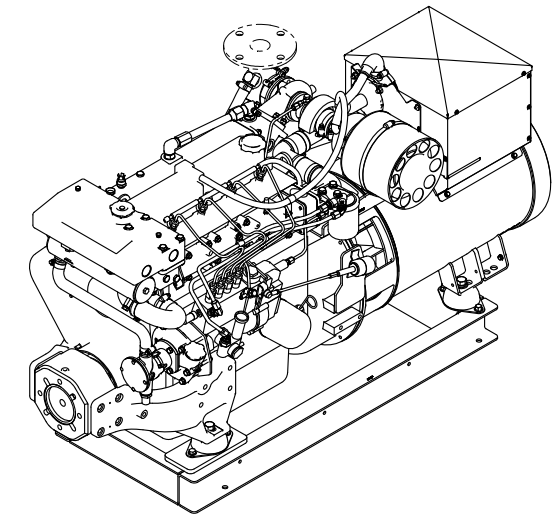
MODEL	RATING	FREQUENCY	PHASE
M40C3.34	38kW	60 Hz	1



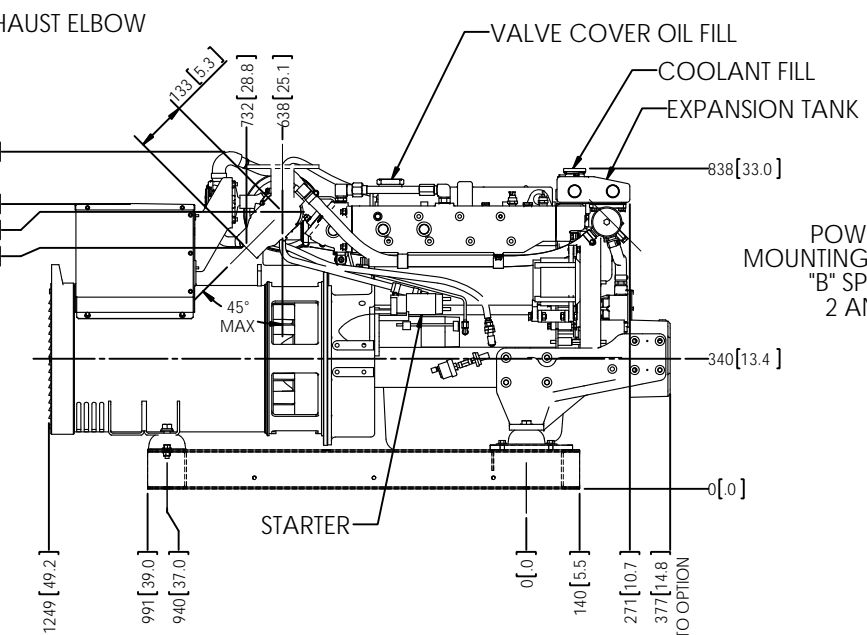
PLAN



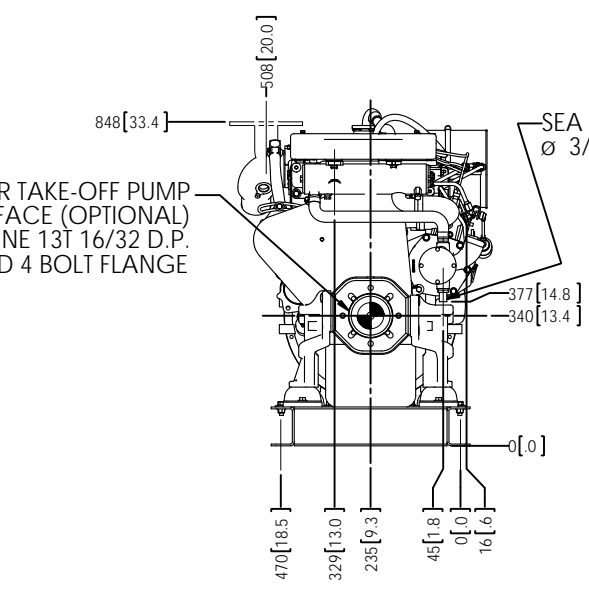
OPTIONAL DRY EXHAUST ELBOW DETAIL



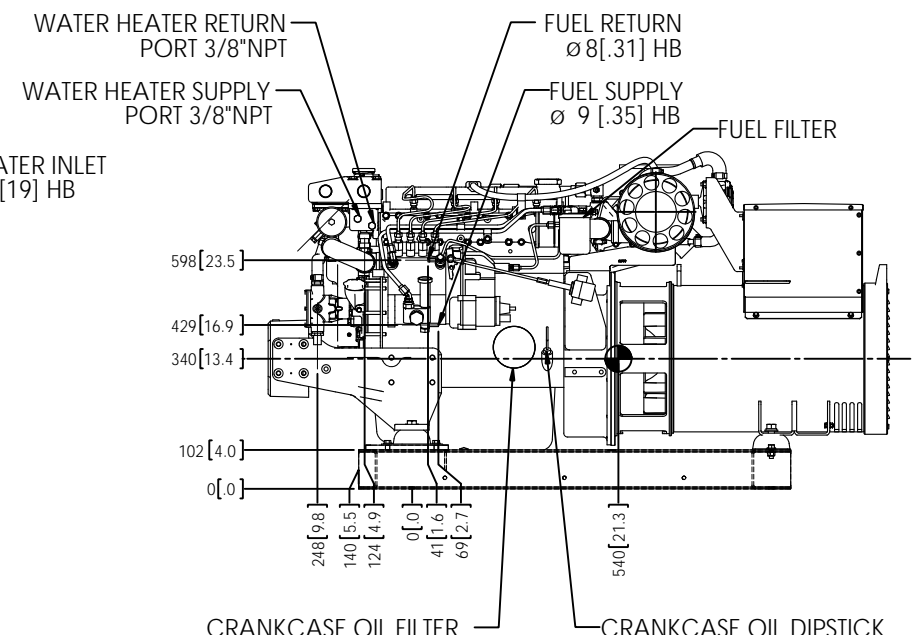
REAR



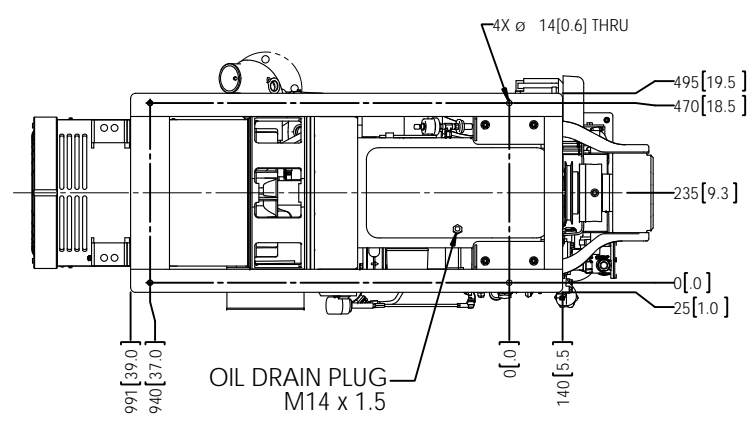
RIGHT SIDE



FRONT



LEFT SIDE (SERVICE SIDE)

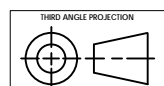


BOTTOM

- NOTES**
- WEIGHTS: GENSET - 653 kg [1440 lbs]
GENSET W/PTO - 685 kg [1510 lbs]
 - WEIGHTS ARE WITH OIL, NO COOLANT.
 - C.G. DOES NOT INCLUDE PTO ASSEMBLY.

THE DIMENSIONS ON THIS DRAWING ARE SUBJECT TO CHANGE. PLEASE CONTACT NORTHERN LIGHTS INC. TO BE SURE YOU HAVE THE MOST CURRENT REVISION.

REV.	DESCRIPTION	DATE	BY	CHECKED
A	REMOVED REFERENCE TO M40C3.14. ECN 3687	12/14/2015	MG	TAH
	REVISIONS			



UNLESS OTHERWISE SPECIFIED, DIMENSIONS ARE IN MILLIMETERS TOLERANCES: ANGULAR: MACH: ±0.5° BEND ± 1.0° X ± 2 XX ± 1 INTERPRET GEOMETRIC TOLERANCING PER: ASME Y14.5M		NAME: MG DATE: 03/17/15	<p>4420 14th AVE. N.W. Seattle, WA 98107 (206) 789-3880 www.northern-lights.com</p>
FINISH		CHECKED: TAH DATE: 04/01/15	
DO NOT SCALE		ENG APPR:	
		MFG APPR:	
TITLE: INSTALLATION DIMENSIONS M40C3.34 H.E.			SCALE: 1:10
SIZE: D	PART NO.:	DWG. NO. D-4843	REV A
WEIGHT:		SHEET 1 OF 1	

D-4843