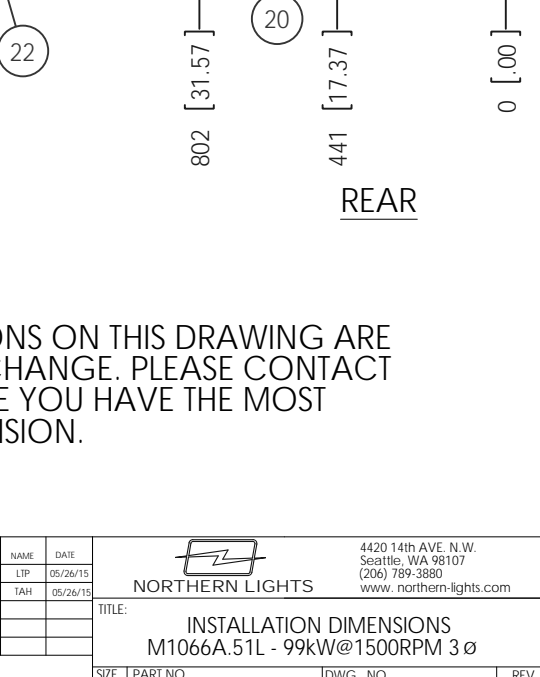
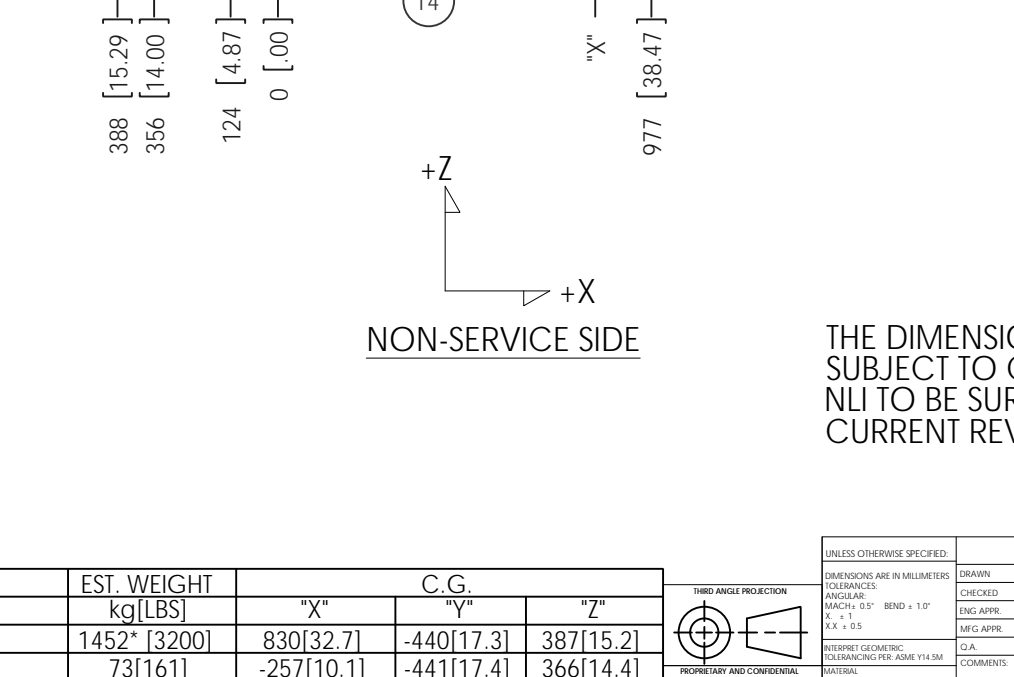
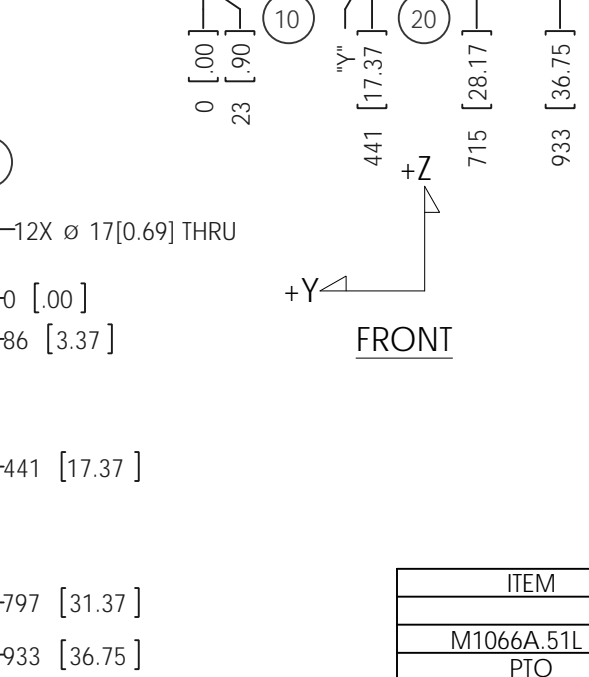
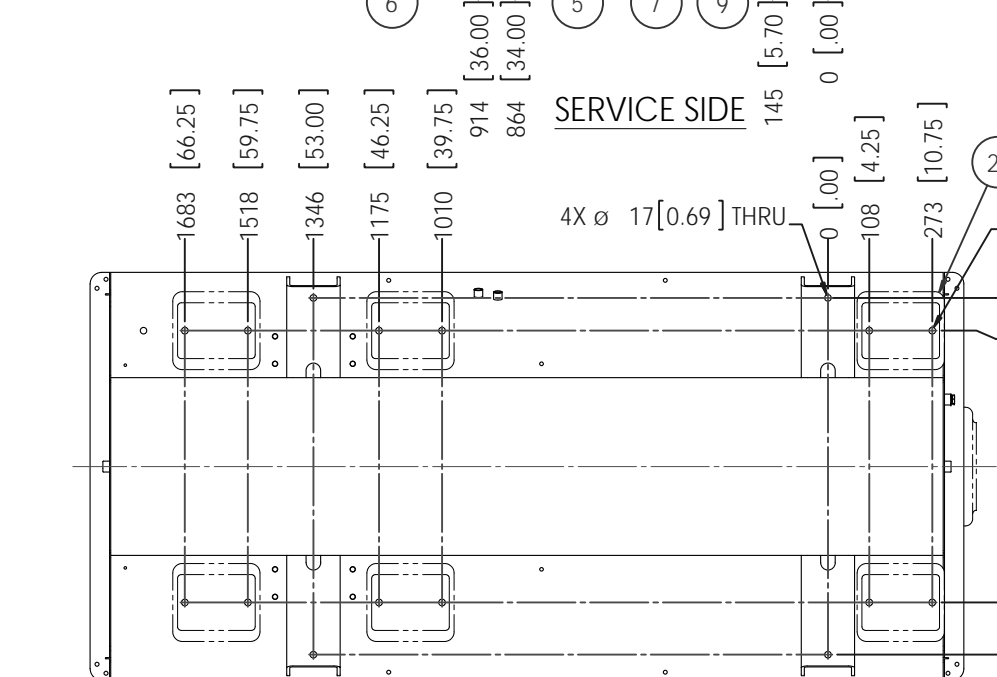
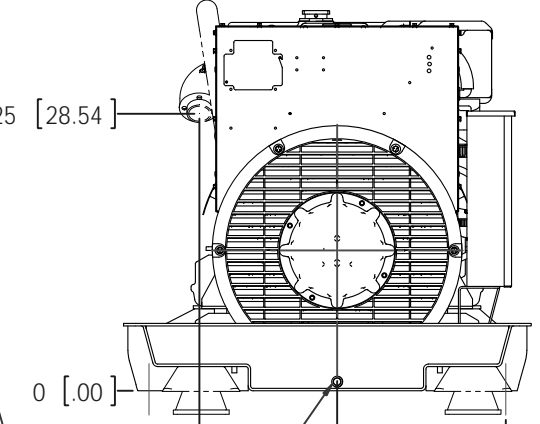
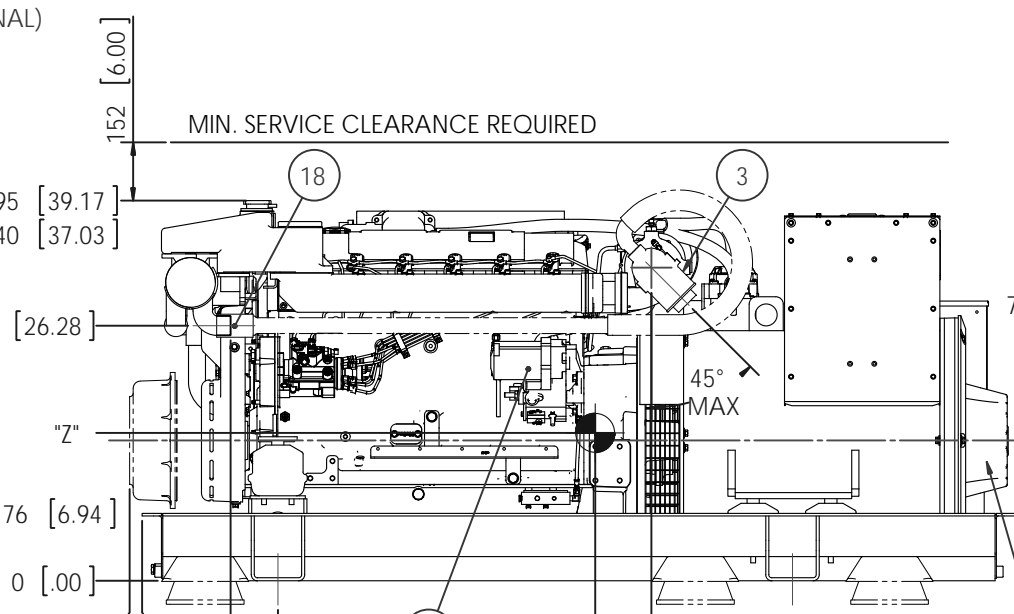
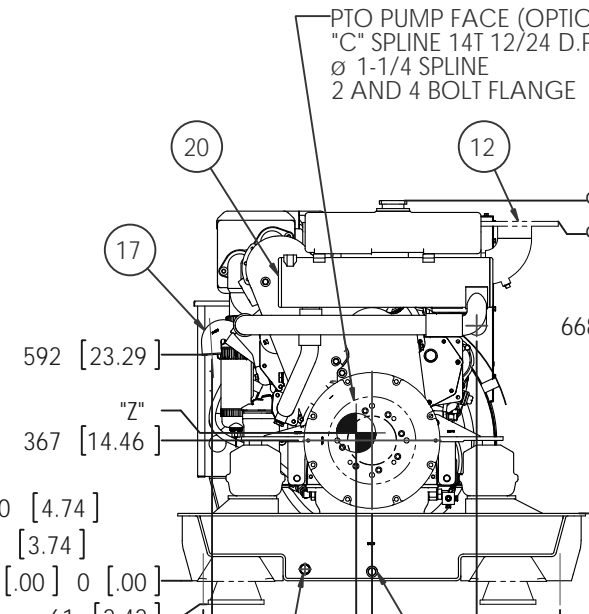
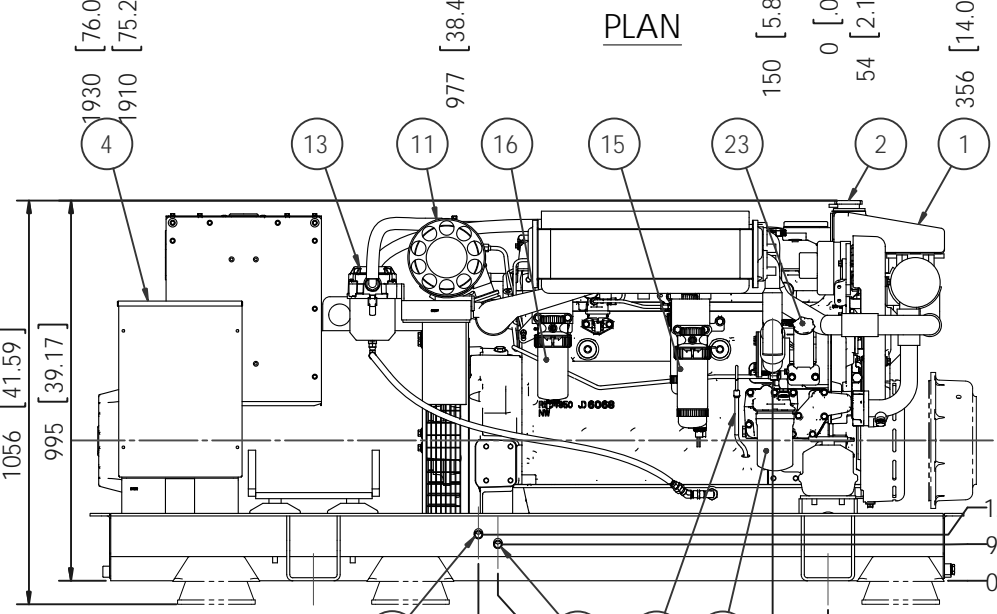


ITEM	DESCRIPTION	ITEM	DESCRIPTION
1	EXPANSION TANK	13	CLOSED CRANKCASE VENTILATION SYSTEM
2	COOLANT FILL	14	ELECTRIC STARTER
3	OPTIONAL WET EXHAUST $\phi$ 4" H.B.	15	PRIMARY FUEL FILTER
4	D.C. JUNCTION BOX	16	FINAL FUEL FILTER
5	FUEL SUPPLY - 3/8" NPT	17	RAW WATER INLET - $\phi$ 2" H.B.
6	FUEL RETURN - 3/8" NPT	18	RAW WATER OUTLET $\phi$ 2"
7	CRANKCASE OIL DIPSTICK	19	HEAT EXCHANGER
8	CRANKCASE OIL FILLER	20	BASE PAN DRAIN - 1/2" NPT
9	CRANKCASE OIL FILTER	21	OPTIONAL COMPOUND MOUNT
10	ENGINE OIL DRAIN - 1/2" NPT	22	PMG
11	AIR INLET FILTER	23	CRANKCASE OIL FILL - R.H. SIDE
12	OPTIONAL DRY EXHAUST ELBOW - SEE DETAIL	24	



ITEM	EST. WEIGHT kg[LBS]	C.G.		
		"X"	"Y"	"Z"
M1066A.51L	1452* [3200]	830[32.7]	-440[17.3]	387[15.2]
PTO	73[161]	-257[10.1]	-441[17.4]	366[14.4]
COMPOUND MOUNTS	48[105]	834[32.8]	-441[17.4]	2[.08]
*DRY WEIGHT				

UNLESS OTHERWISE SPECIFIED:  
DIMENSIONS ARE IN MILLIMETERS  
TOLERANCES:  
ANGULAR: ±0.5° BEND ± 1.0°  
X ± 1  
X.X ± 0.5  
INTERPRET GEOMETRIC TOLERANCING PER ASME Y14.5M

THIRD ANGLE PROJECTION

PROPRIETARY AND CONFIDENTIAL  
THE INFORMATION CONTAINED IN THIS DRAWING IS THE SOLE PROPERTY OF NORTHERN LIGHTS. ANY REPRODUCTION IN PART OR AS A WHOLE WITHOUT THE WRITTEN PERMISSION OF NORTHERN LIGHTS IS PROHIBITED.

DO NOT SCALE

NAME	DATE
LTP	05/26/15
TAH	05/26/15

CHECKED: ENG APPR: MFG APPR: C.A. COMMENTS:

NORTHERN LIGHTS  
4420 14th AVE. N.W.  
Seattle, WA 98107  
(206) 789-3880  
www.northern-lights.com

TITLE: INSTALLATION DIMENSIONS  
M1066A.51L - 99kW@1500RPM 3 $\phi$

SIZE	PART NO.	DWG. NO.	REV
D		D-4863	

SCALE: 1:10 WEIGHT: SHEET 1 OF 1

THE DIMENSIONS ON THIS DRAWING ARE SUBJECT TO CHANGE. PLEASE CONTACT NLI TO BE SURE YOU HAVE THE MOST CURRENT REVISION.