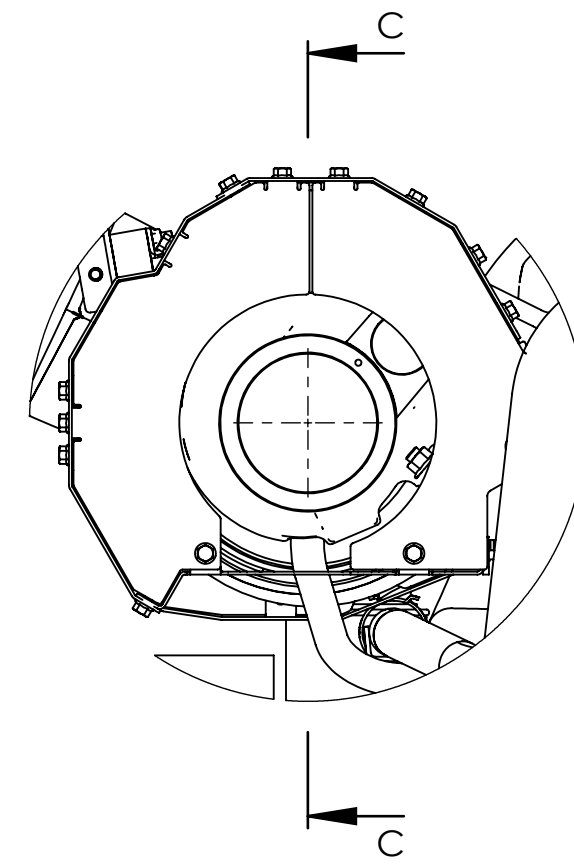
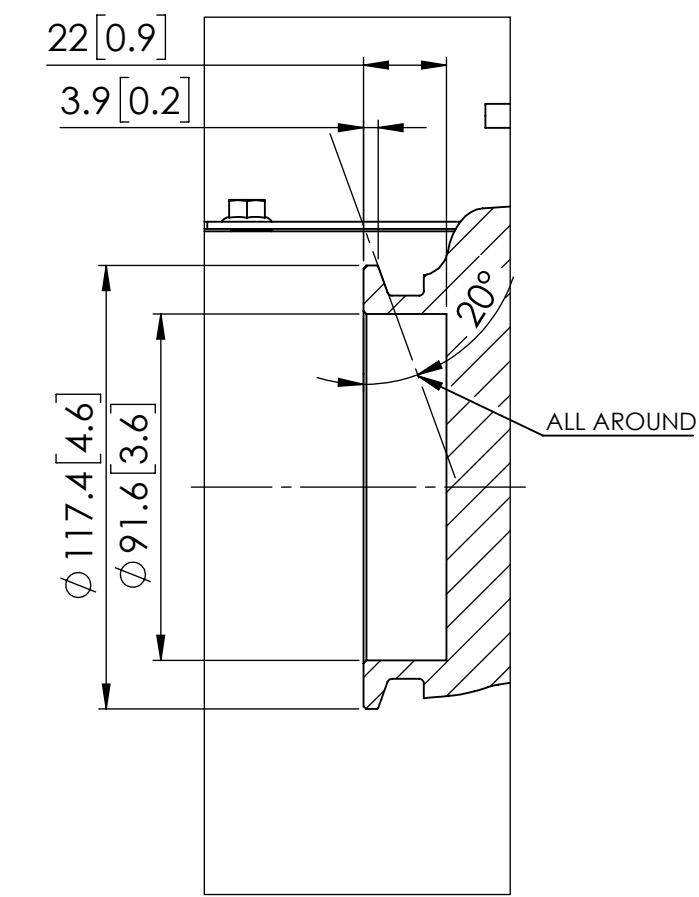


PLAN VIEW

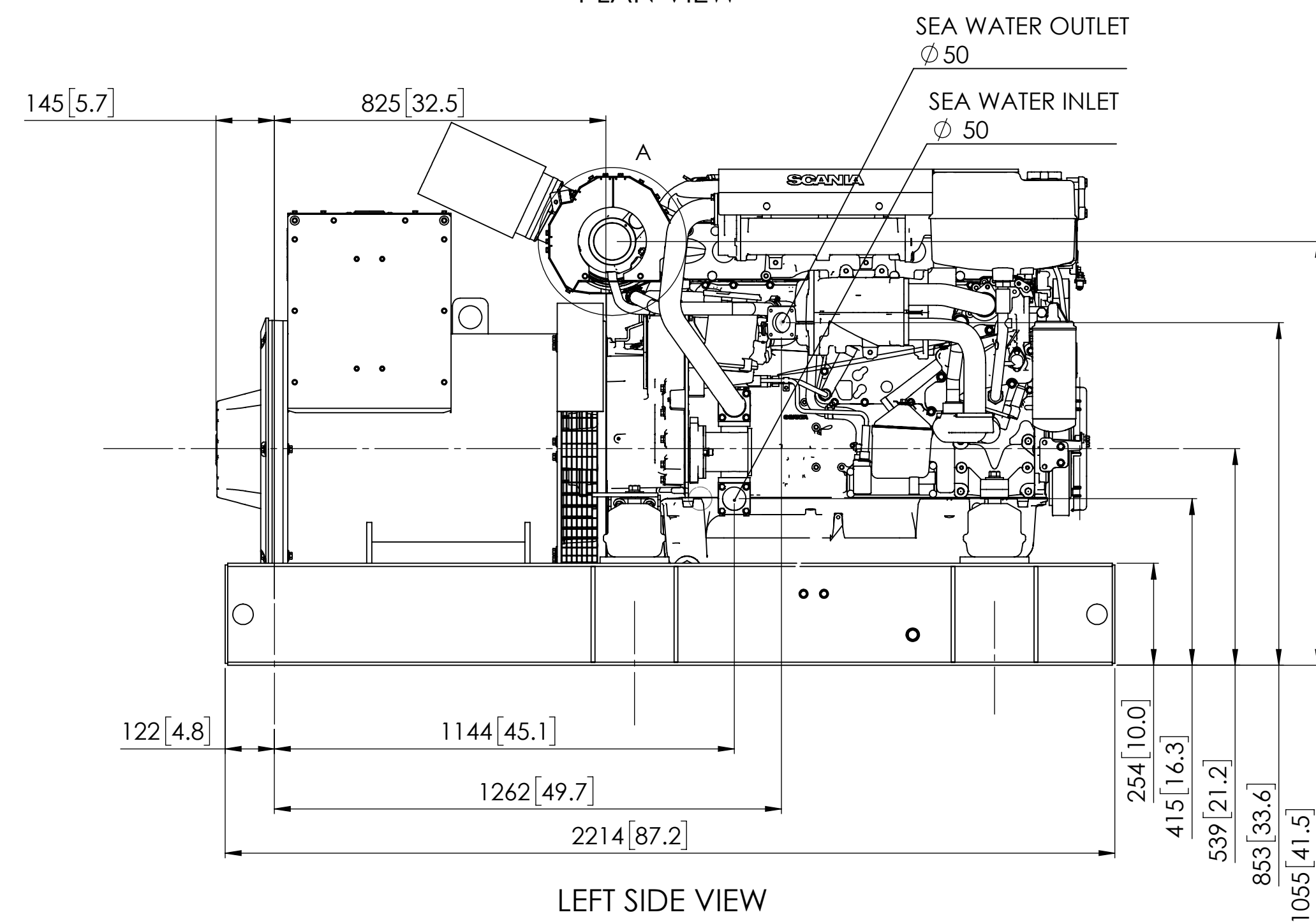


DETAIL A
SCALE 1 : 5
EXHAUST CONNECTION

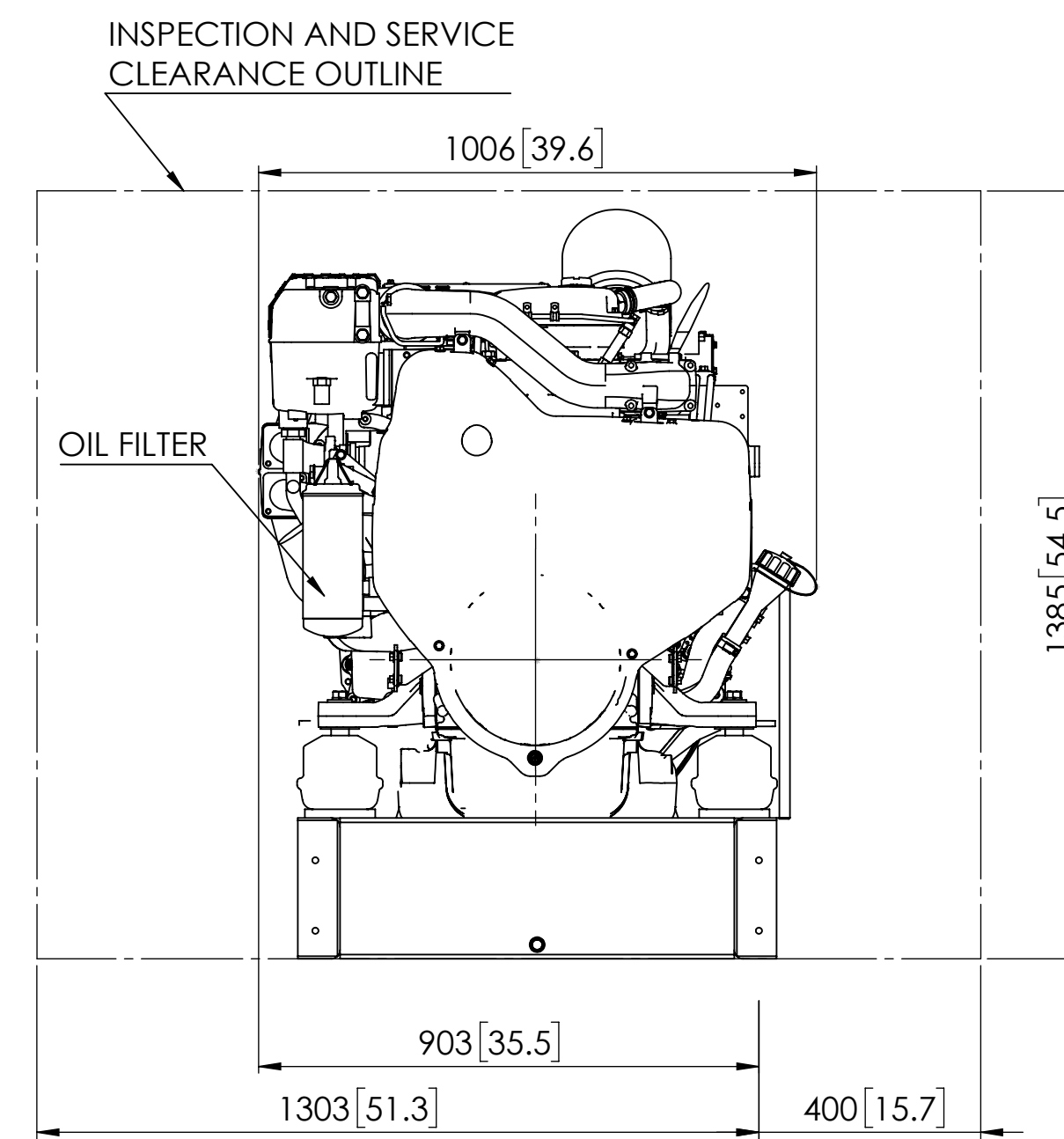


SECTION C-C
SCALE 1 : 2
EXHAUST CONNECTION
DIMENSIONS

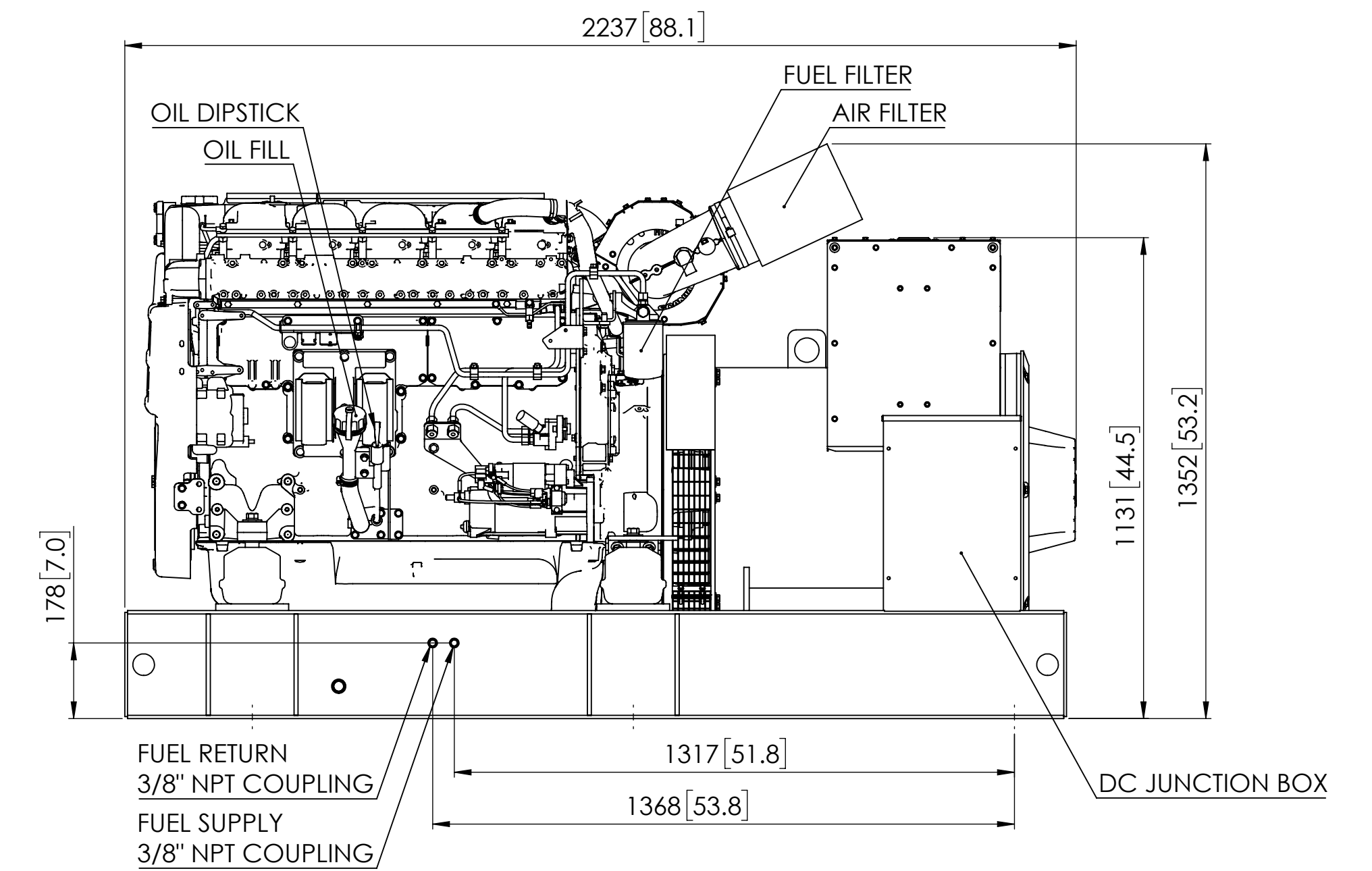
WEIGHT: 2,114 KG [4,660 LB]



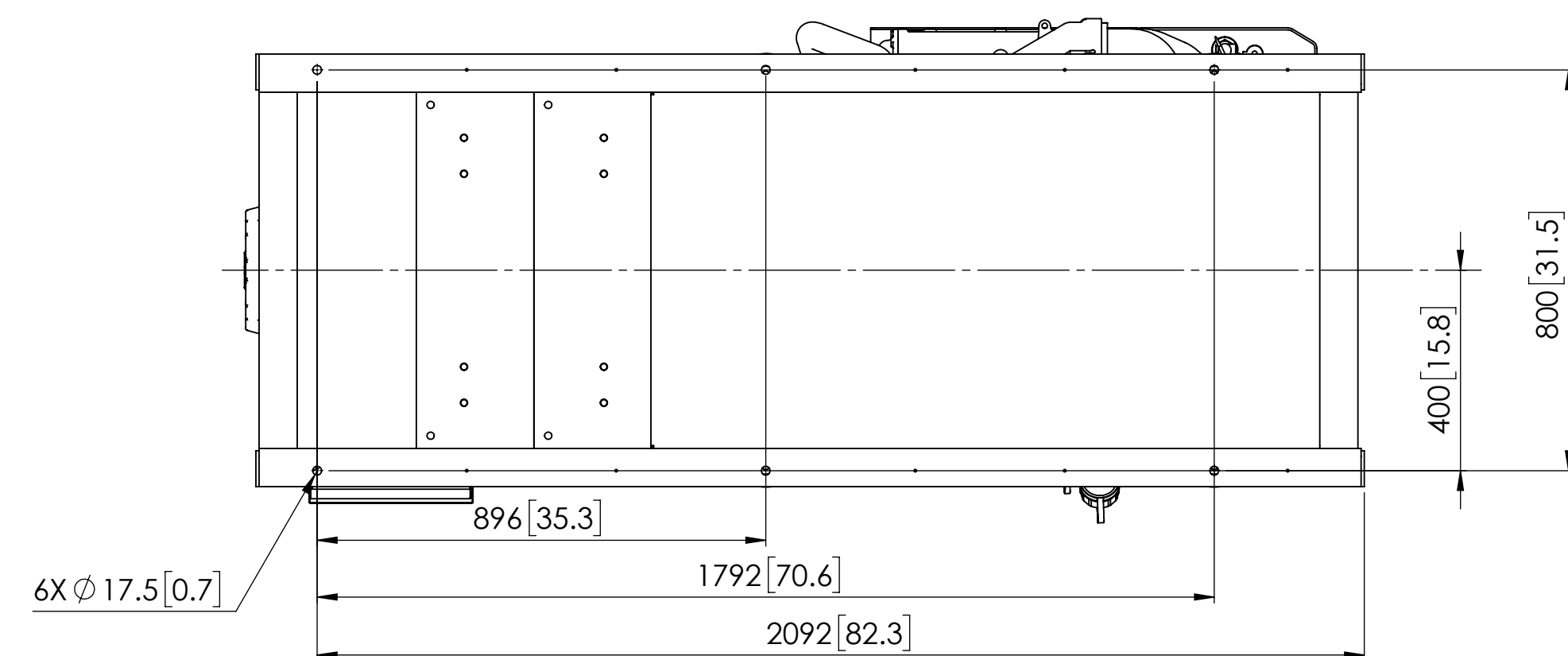
LEFT SIDE VIEW



FRONT VIEW

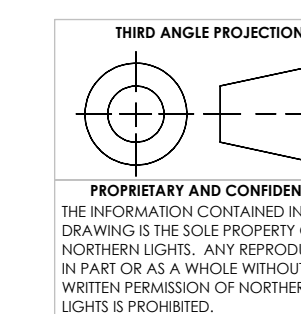


RIGHT (SERVICE) SIDE VIEW



BOTTOM VIEW

THE DIMENSIONS ON THIS DRAWING ARE SUBJECT TO CHANGE: PLEASE CONTACT NLI TO BE SURE YOU HAVE THE MOST CURRENT REVISION



UNLESS OTHERWISE SPECIFIED: DIMENSIONS ARE IN MILLIMETERS TOLERANCES: ANGULAR: ±0.5° HOLE: ±0.1° X: ±1.0° INTERPRET GEOMETRIC TOLERANCING PER: ASME Y14.5M	NAME: AZB DATE: 12/12/16
FINISH: DO NOT SCALE	CHECKED: TAH DATE: 12/12/16
	ENG APPR: MEG APPR: G.A. COMMENTS:

<p>4420 14th AVE. N.W. Seattle, WA 98107 (206) 789-3880 www.northern-lights.com</p>	
<p>TITLE: INSTALLATION DIMENSIONS M1305A12.11 (431 GENERATOR END)</p>	
SIZE: D	PART NO. M1305A12.11
DWG. NO. D-4985	REV
SCALE: 1:1	WEIGHT: SHEET 1 OF 1