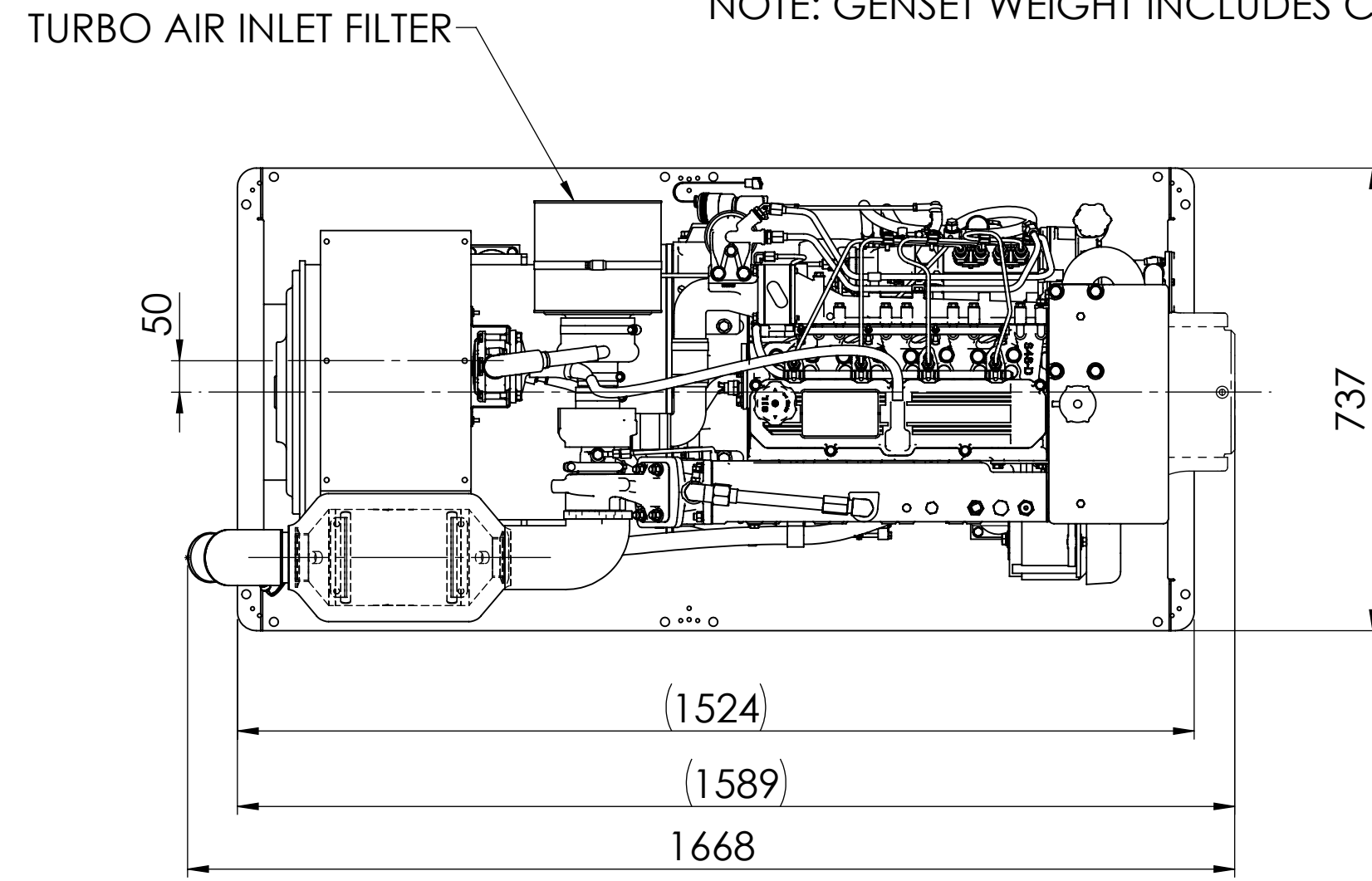


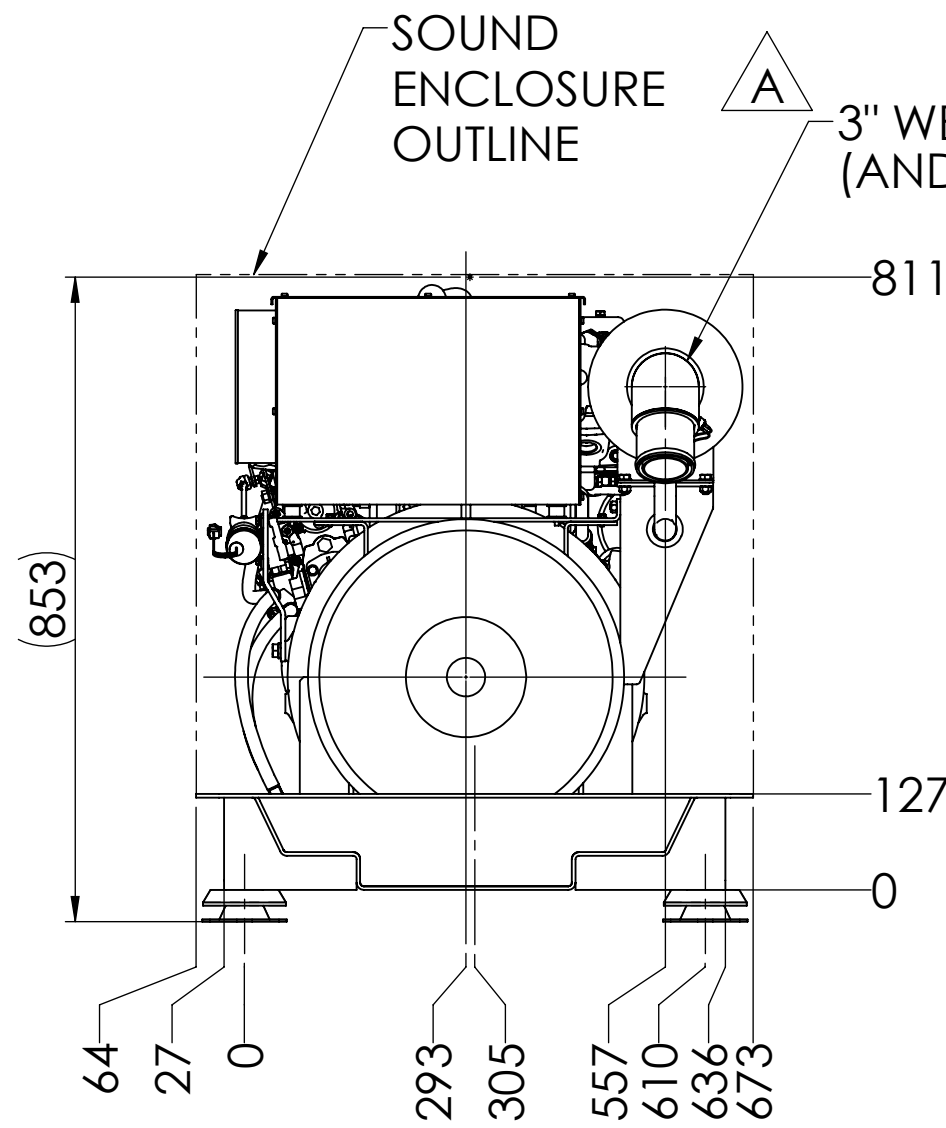
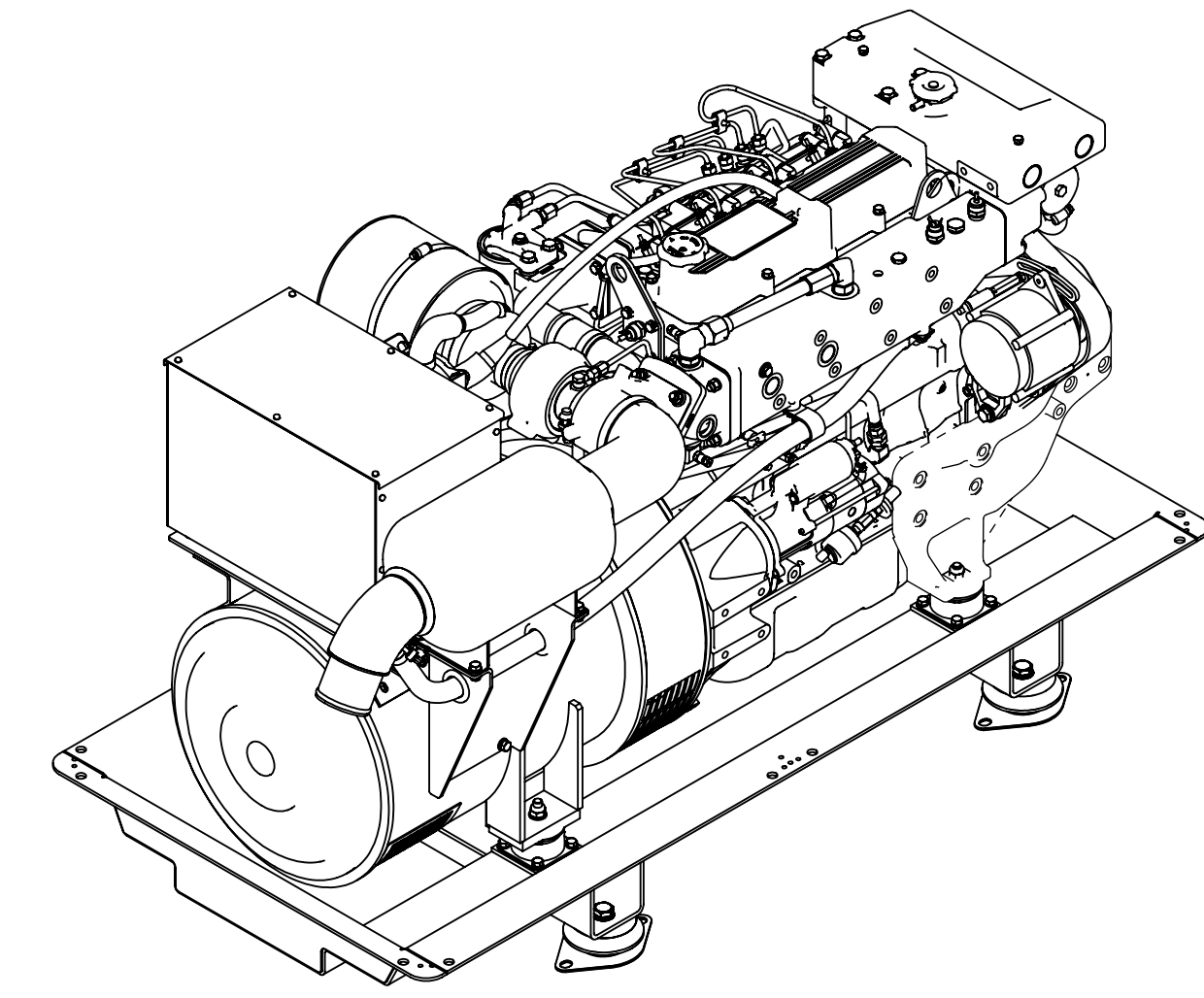
MODEL	RATING	FREQUENCY	PHASE
M944T3F.1	40 kW	60 Hz	3
M944T3F.3	38 kW	60 Hz	1

ITEM	WEIGHT	C.G.		
		X	Y	Z
GENSET	739 kg [1630 LBS.]	293	282	477
GENSET W/PTO	781 kg [1722 LBS.]	293	278	448
GENSET W/HD PTO	800 kg [1763 LBS.]	293	277	433

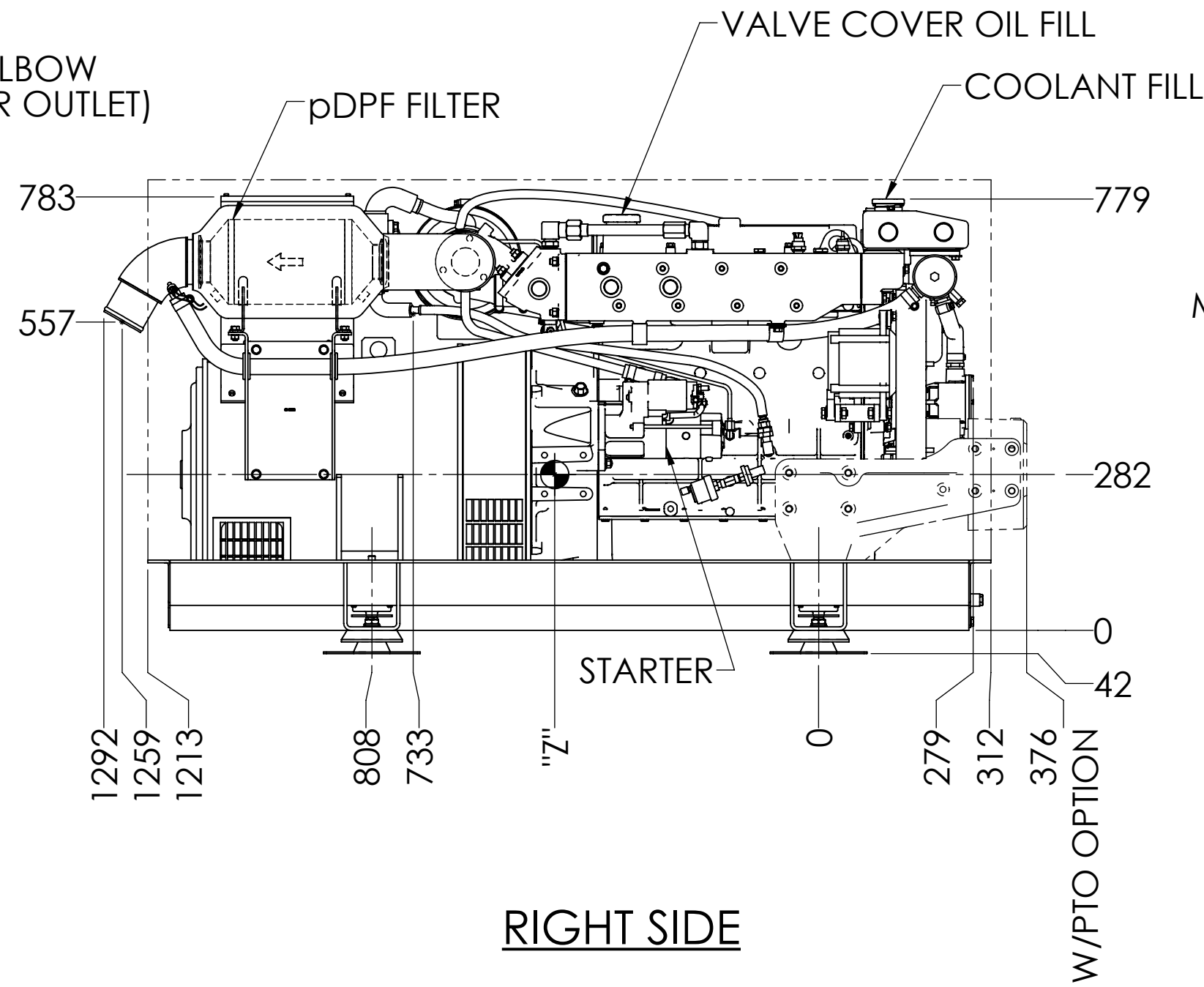
NOTE: GENSET WEIGHT INCLUDES COOLANT & OIL.



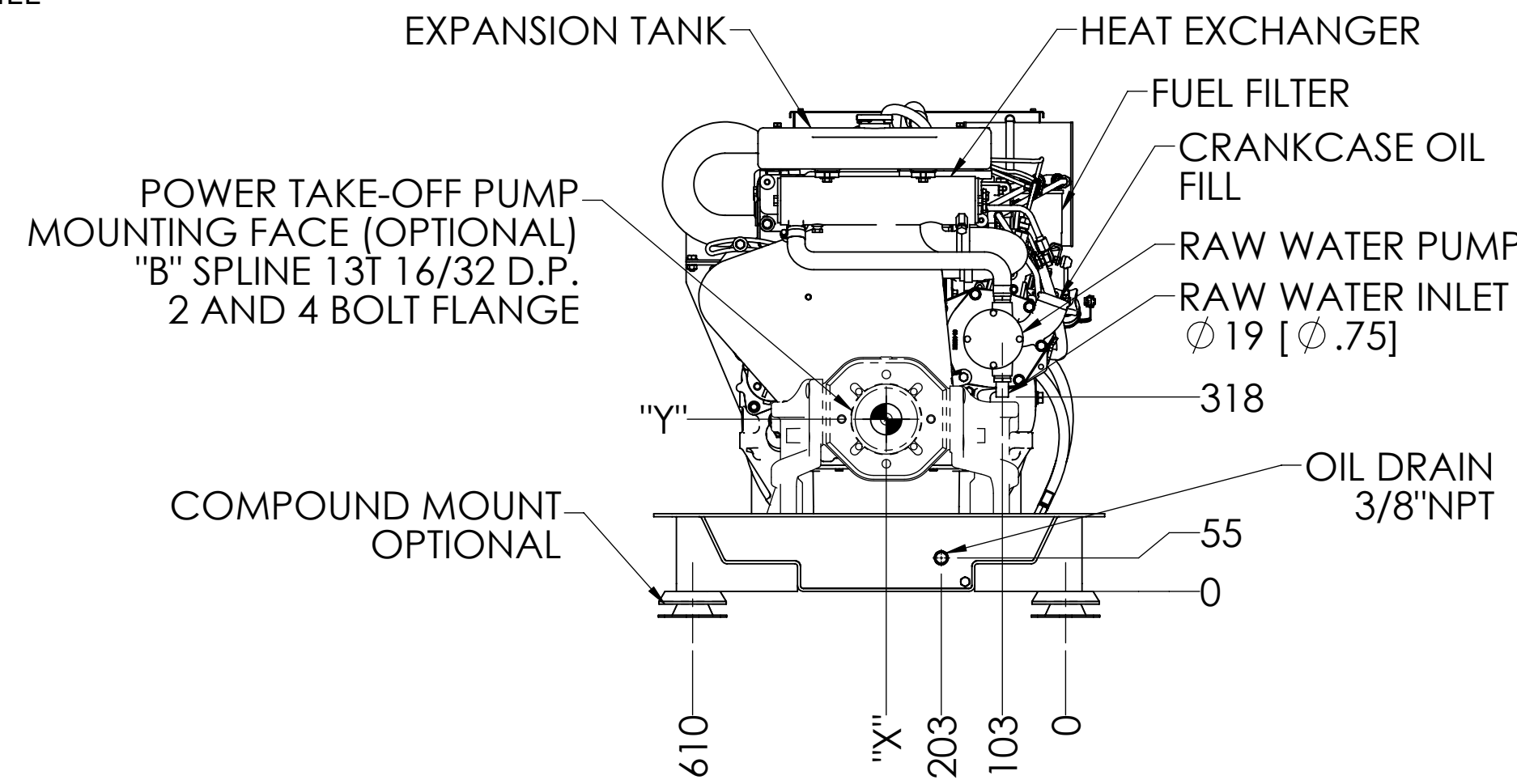
PLAN



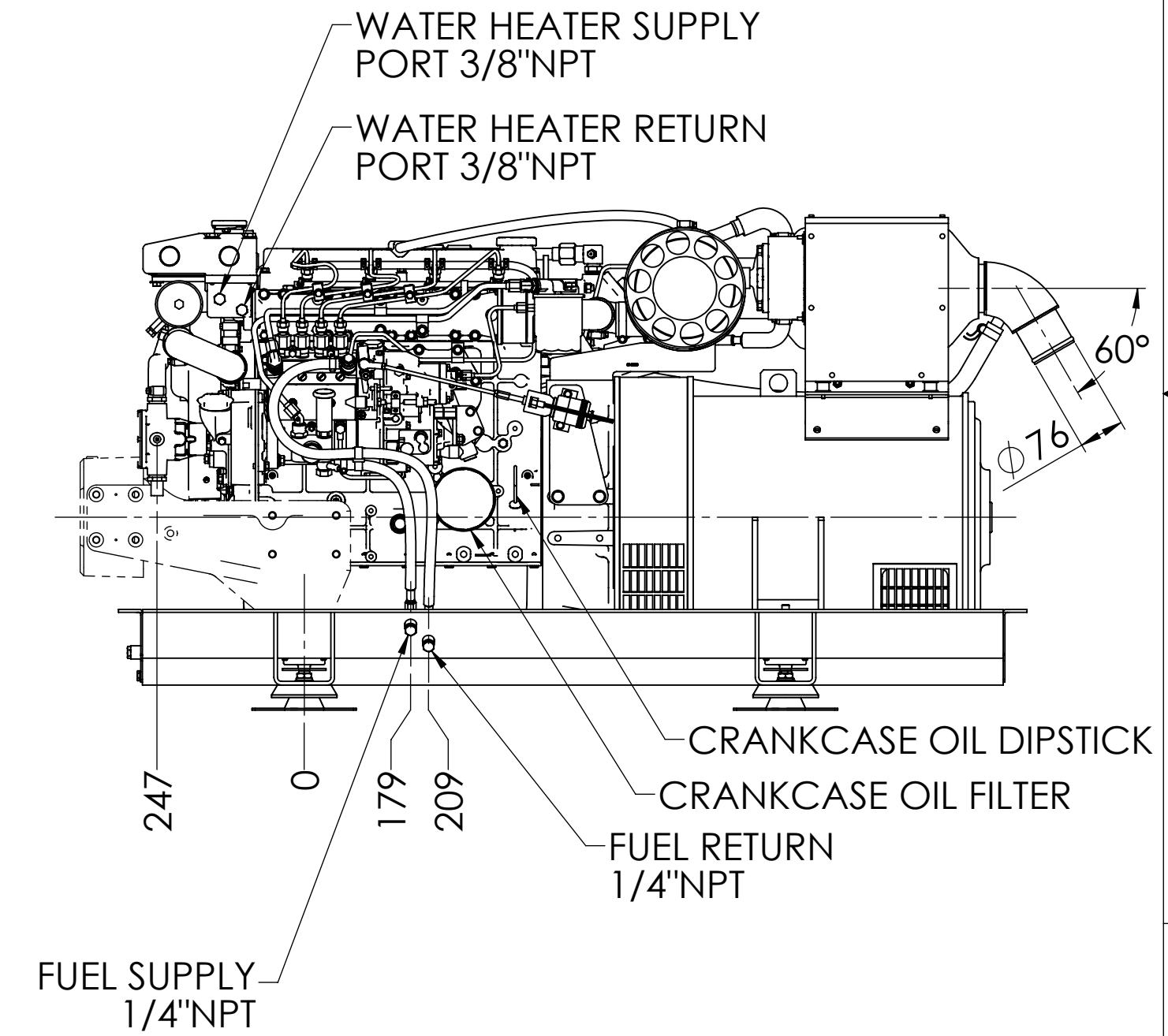
REAR



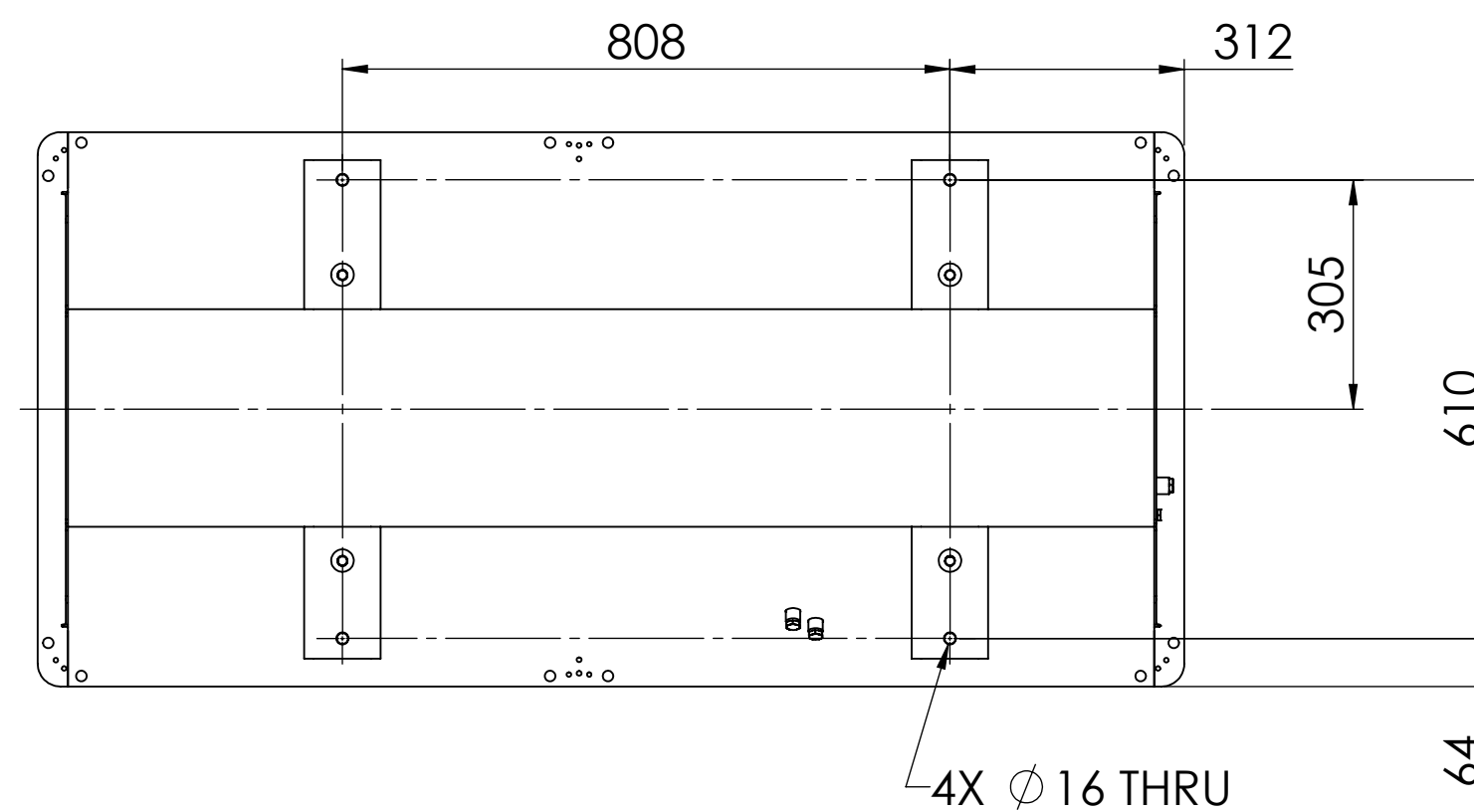
RIGHT SIDE



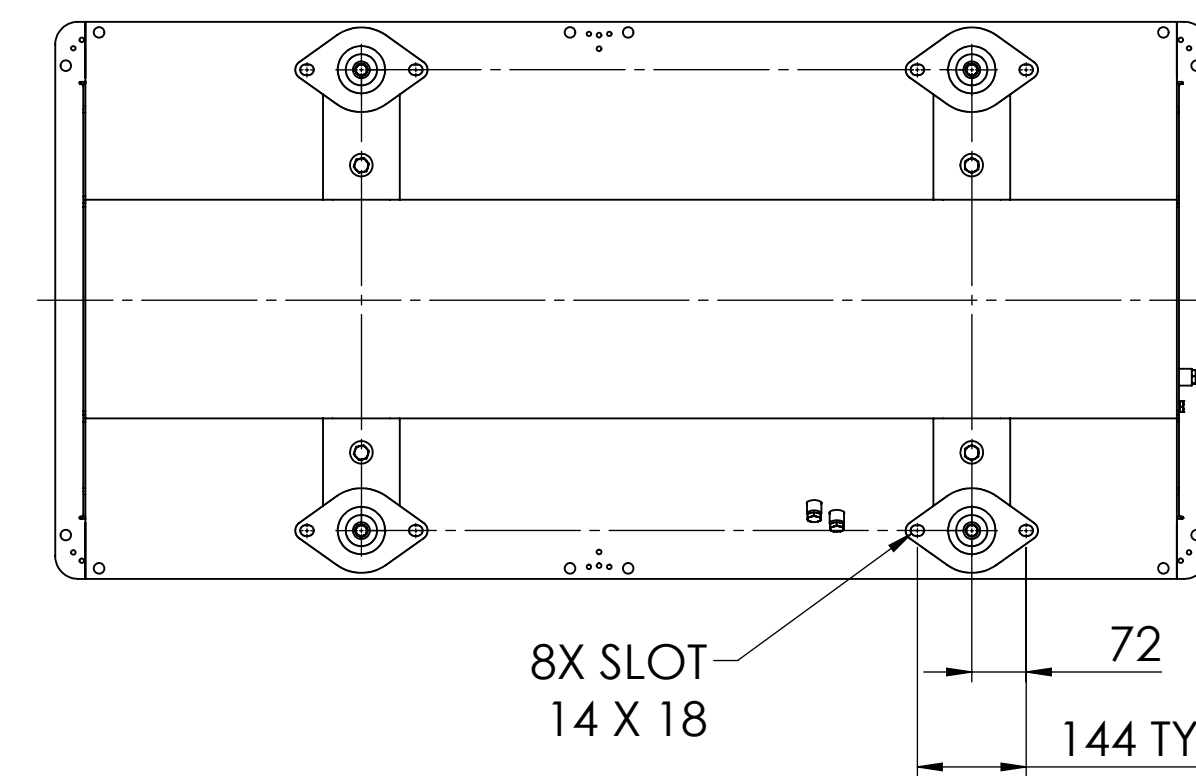
FRONT



LEFT SIDE (SERVICE SIDE)

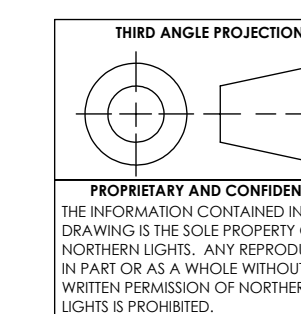


BOTTOM



OPTIONAL COMPOUND MOUNTS

THE DIMENSIONS ON THIS DRAWING ARE SUBJECT TO CHANGE. PLEASE CONTACT NORTHERN LIGHTS INC. TO BE SURE YOU HAVE THE MOST CURRENT REVISION.



REV.	DESCRIPTION	DATE	BY	CHECKED
A	REPLACED 4" WET EXHAUST ELBOW WITH 3" ECN 4745	4/6/2017	MG	TAH

UNLESS OTHERWISE SPECIFIED:	NAME	DATE
DIMENSIONS ARE IN MILLIMETERS	MG	01/30/17
TOLERANCES:	TAH	01/31/17
ANGULAR: MACH 1/8"	ENG APPR.	
NO DECIMALS: ± 3	MEG APPR.	
ONE DECIMAL: ± 1	G.A.	
INTERPRET GEOMETRIC TOLERANCING PER ASME Y14.5M	COMMENTS:	
MATERIAL:		
FINISH:		
DO NOT SCALE		

		4420 14th AVE. N.W. Seattle, WA 98107 (206) 789-3880 www.northern-lights.com
INSTALLATION DIMENSIONS M944T3F H.E. COOLED		
SIZE	PART NO.	DWG. NO.
D		D-4997
SCALE: 1:10	WEIGHT:	SHEET 1 OF 1