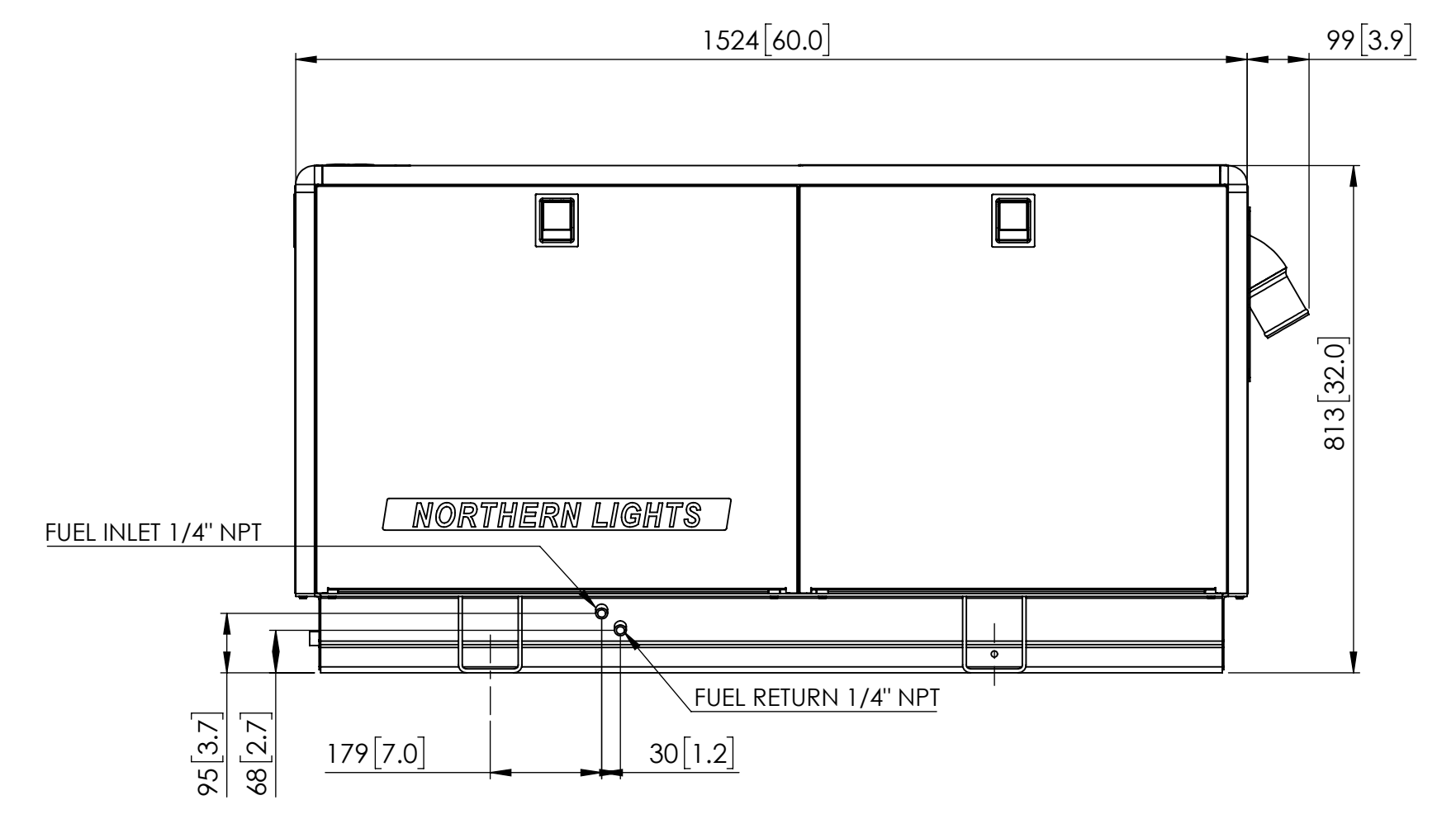
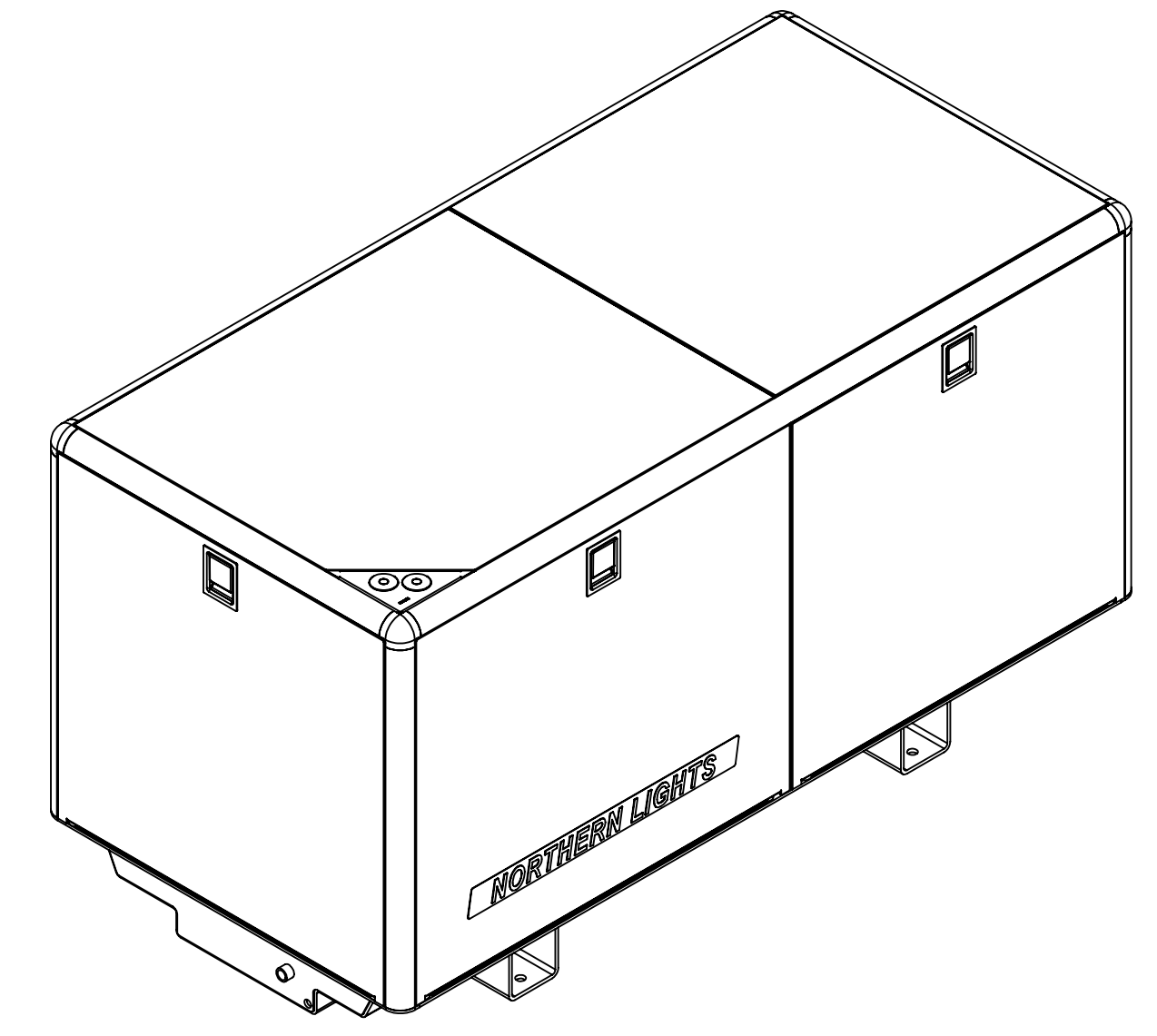
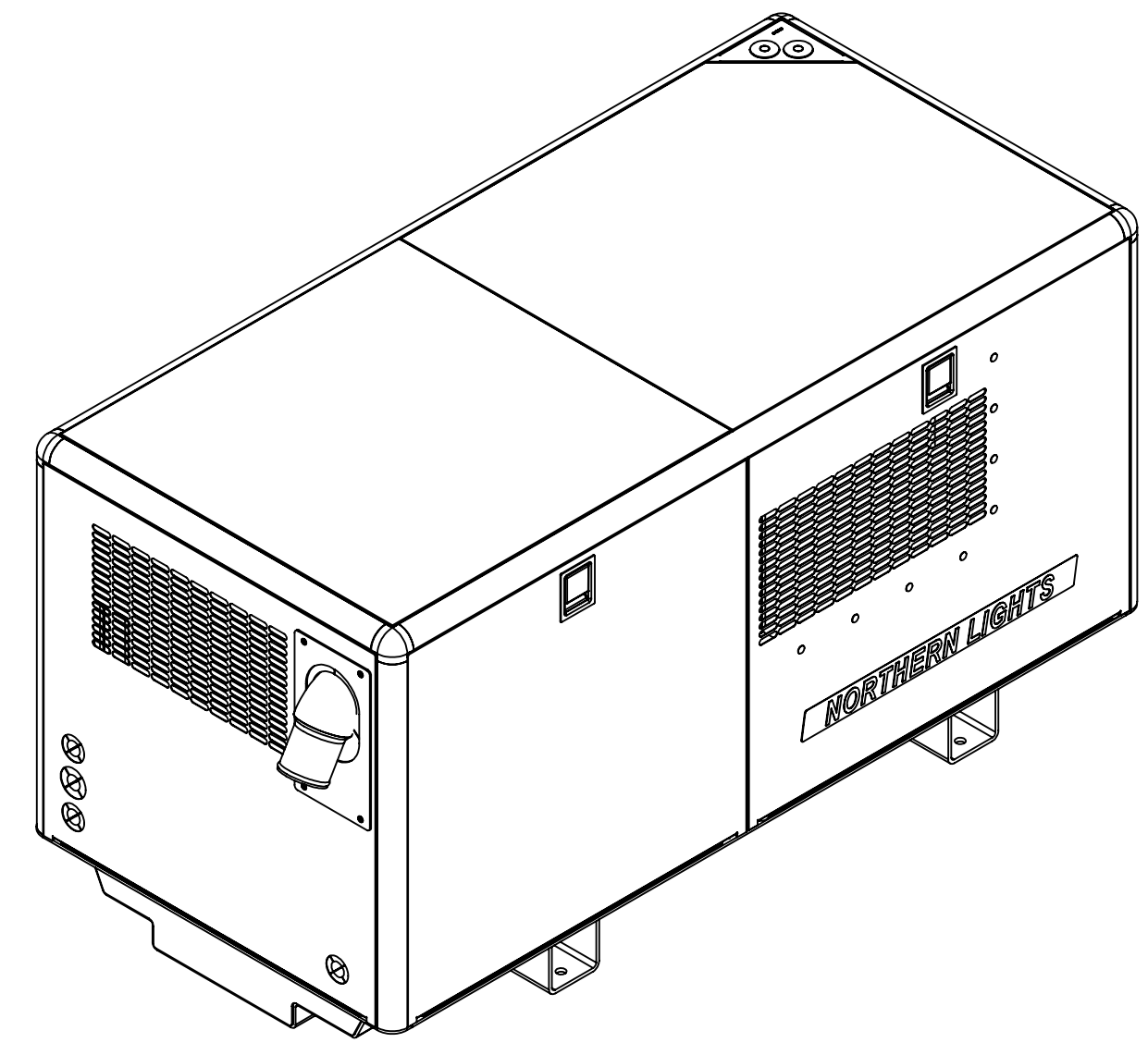
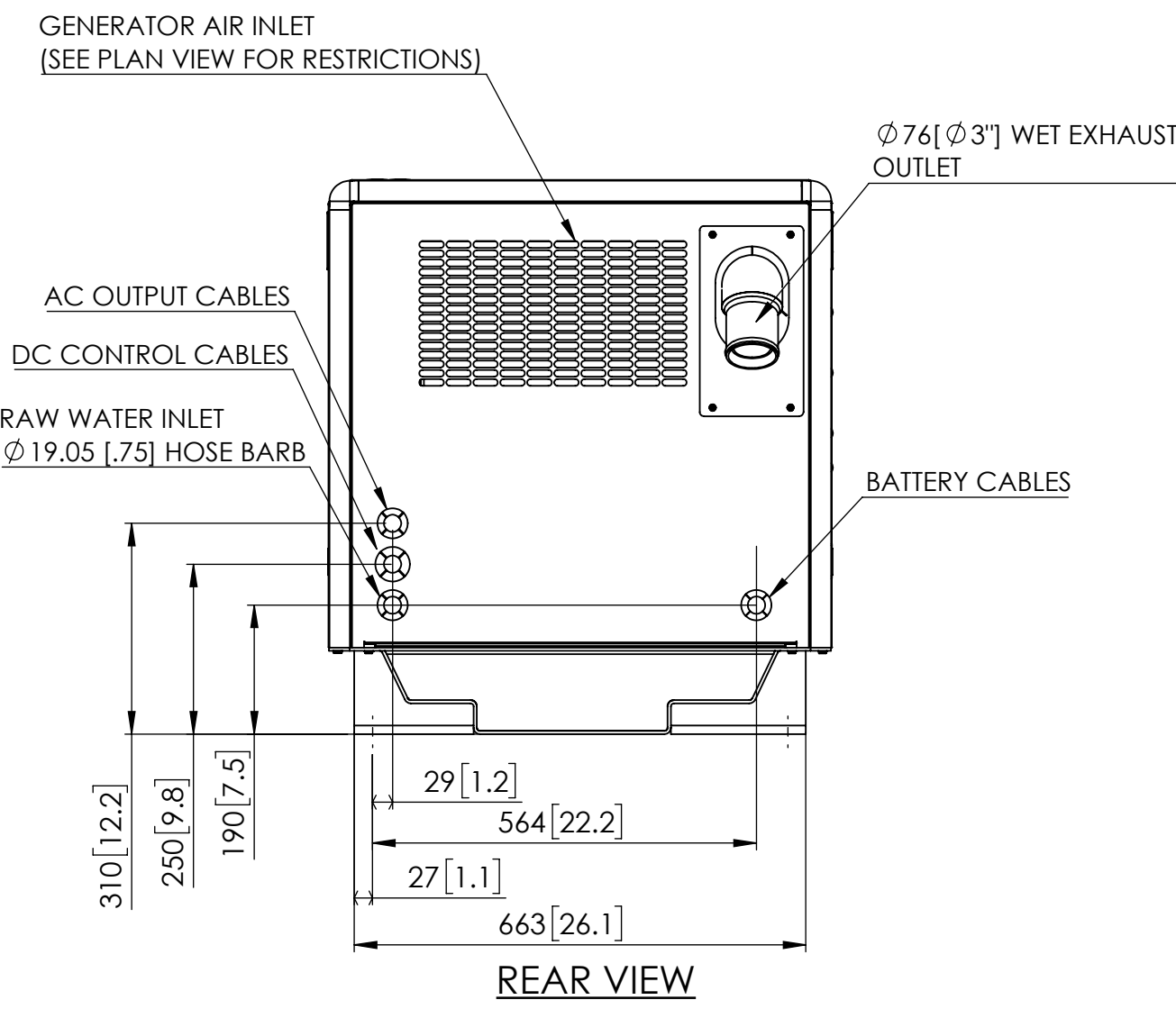


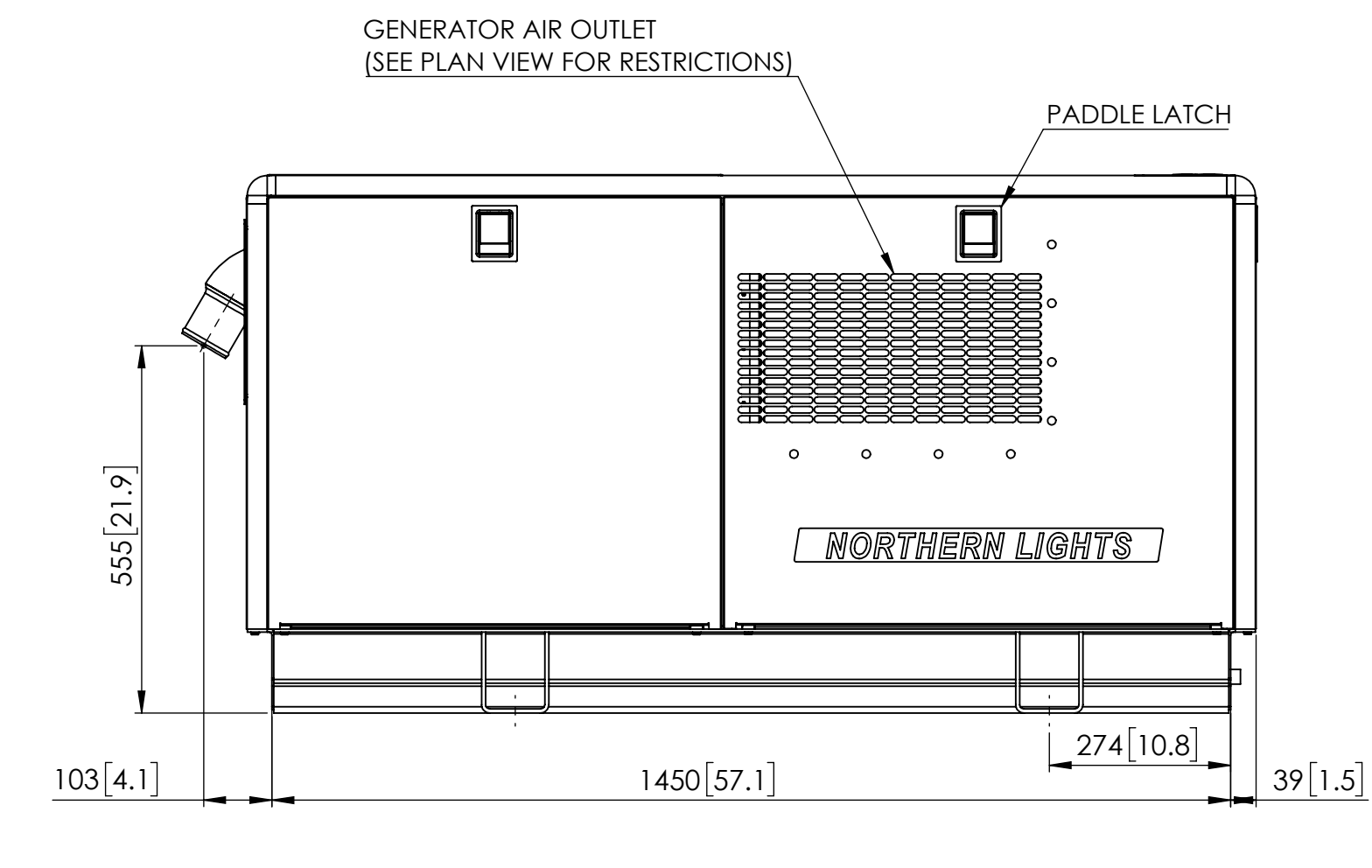
PLAN VIEW



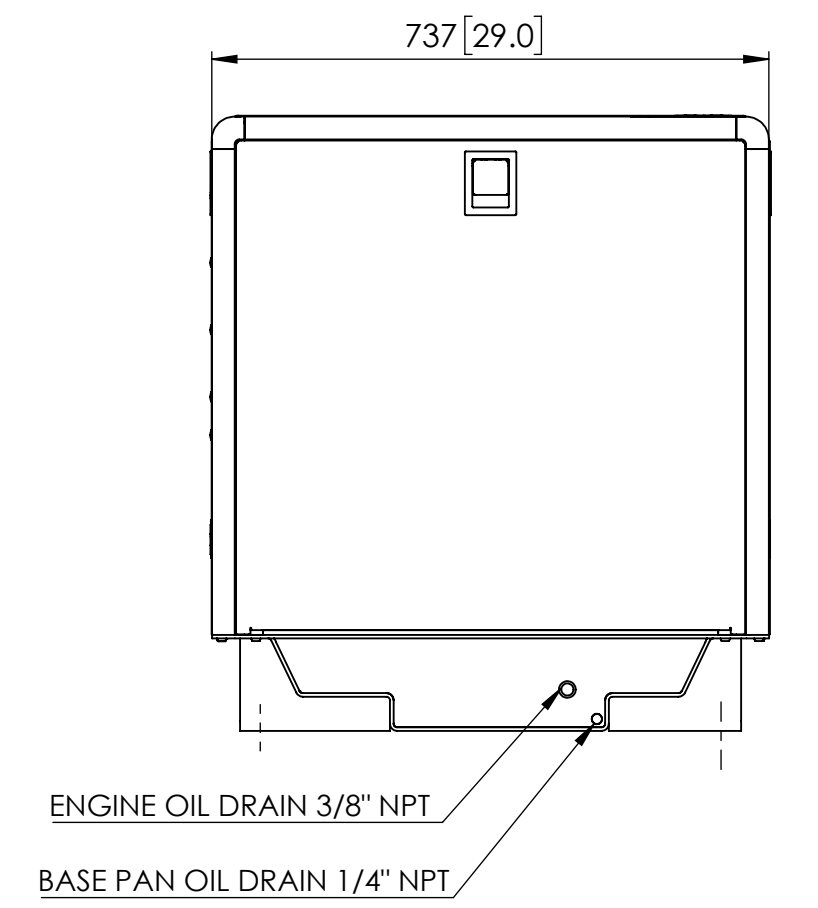
LEFT (SERVICE) SIDE VIEW



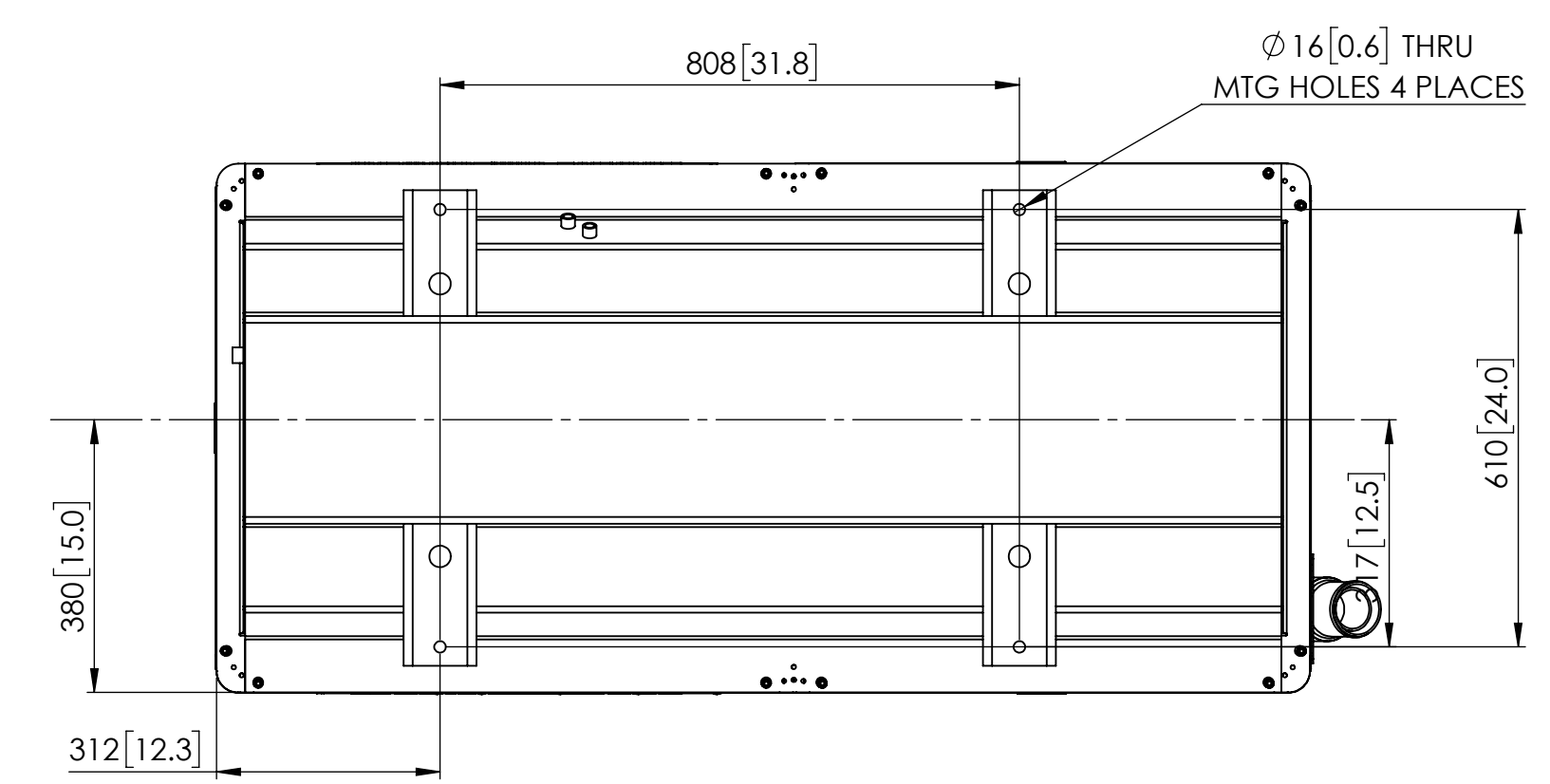
REAR VIEW



RIGHT SIDE VIEW



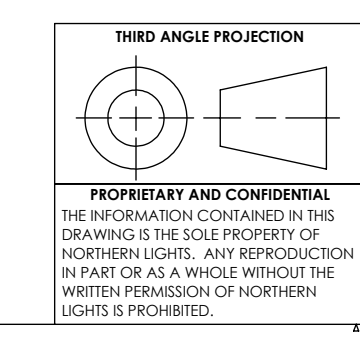
FRONT VIEW



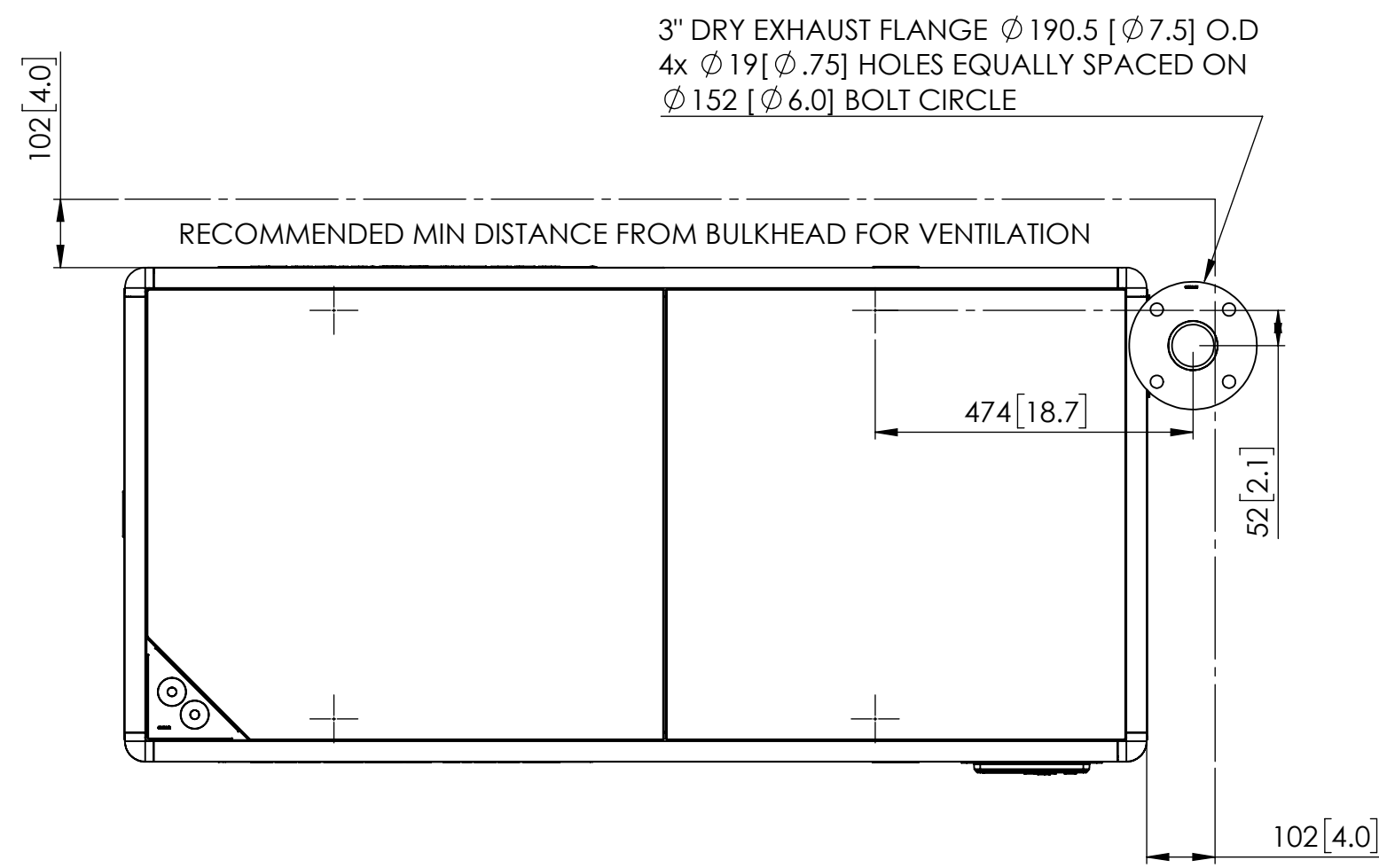
BOTTOM VIEW

THE DIMENSIONS ON THIS DRAWING ARE SUBJECT TO CHANGE. PLEASE CONTACT NORTHERN LIGHTS INC., TO BE SURE YOU HAVE THE MOST CURRENT REVISION.

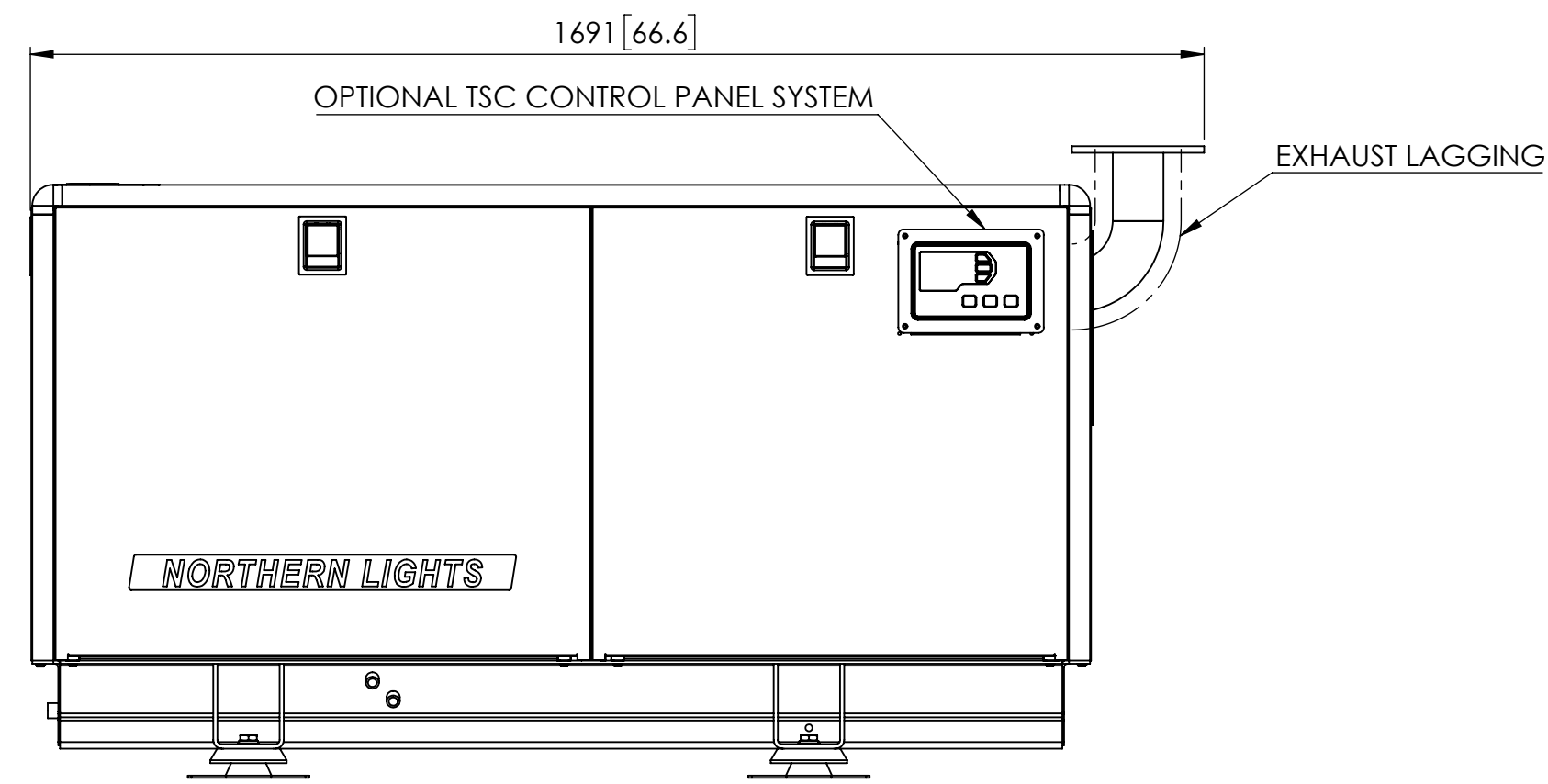
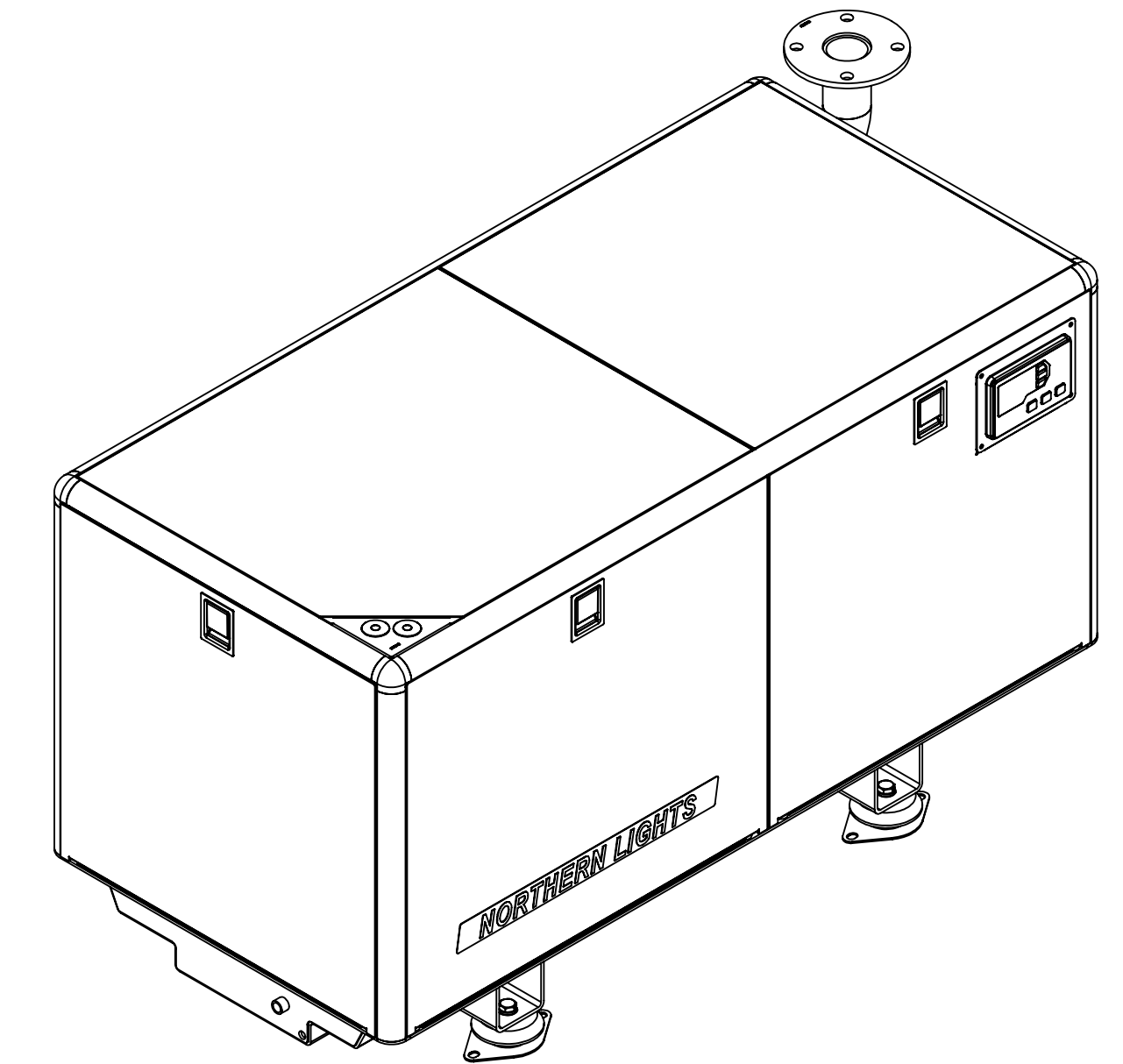
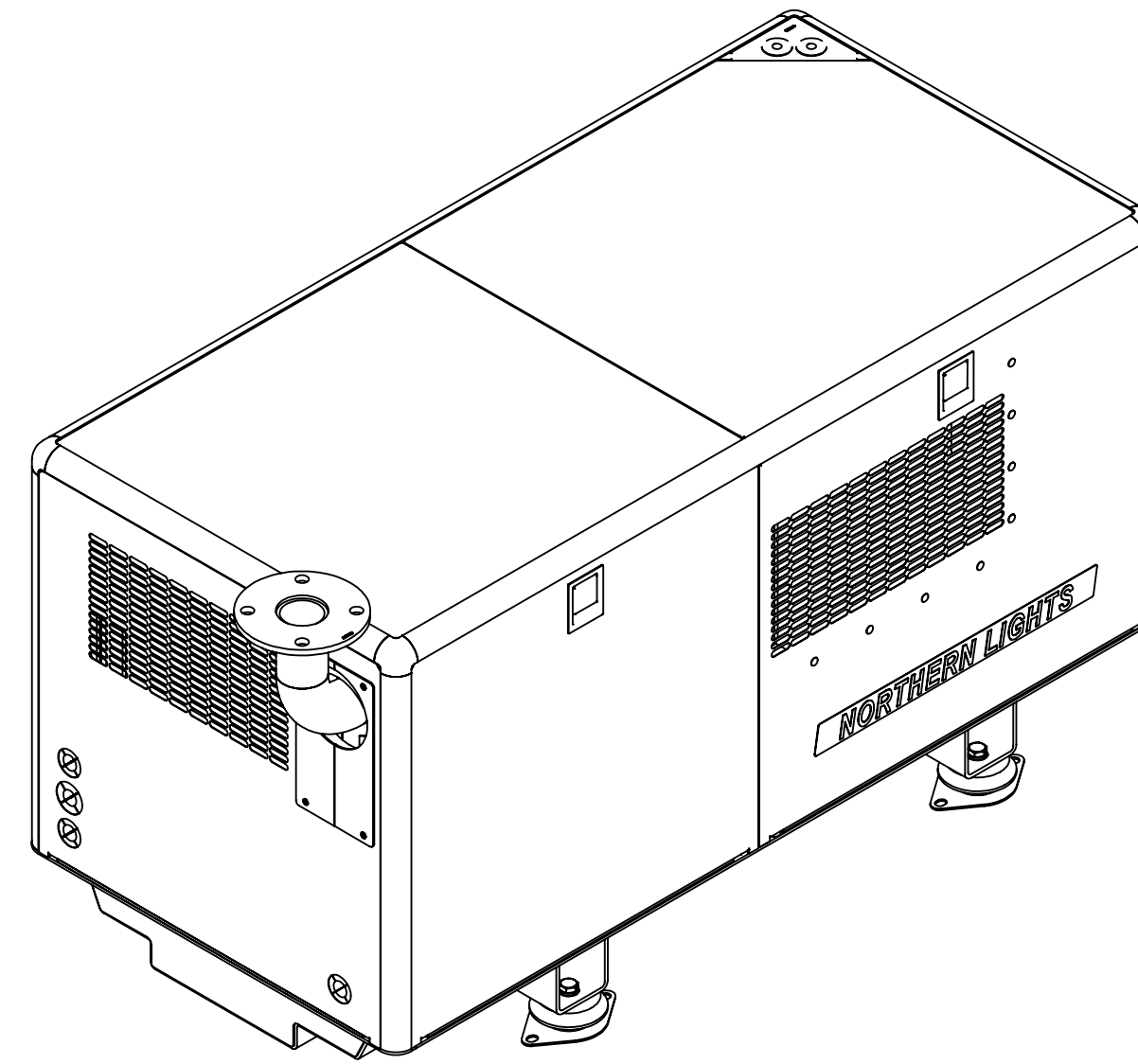
APPROX WEIGHT: 1446 LBS [656 KG]



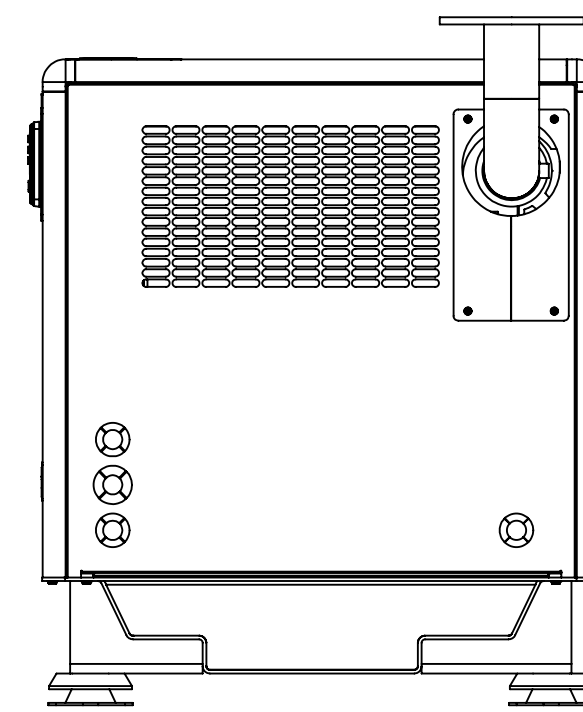
UNLESS OTHERWISE SPECIFIED:		NAME	DATE	<b>NORTHERN LIGHTS</b>	4420 14th AVE. N.W. Seattle, WA 98107 (206) 789-3880 www.northern-lights.com
DIMENSIONS ARE IN MILLIMETERS		GT	07/10/17		
TOLERANCES:		CHECKED	TH	TITLE:	
ANGULAR: MACH ±0.5° BEND ±1.0°		ENG APPR.		INSTALLATION DIMENSIONS	
X ±0.5		MFG APPR.		M944T3F SOUND SHIELD	
XX ±0.3		G.A.		SIZE	PART NO.
INTERPRET GEOMETRIC TOLERANCING PER ASME Y14.5M		COMMENTS:		<b>D</b>	05-01265
MATERIAL:				SCALE: 1:20	WEIGHT:
FINISH:				DWG. NO.	REV
DO NOT SCALE				<b>D-5023</b>	SHEET 1 OF 3



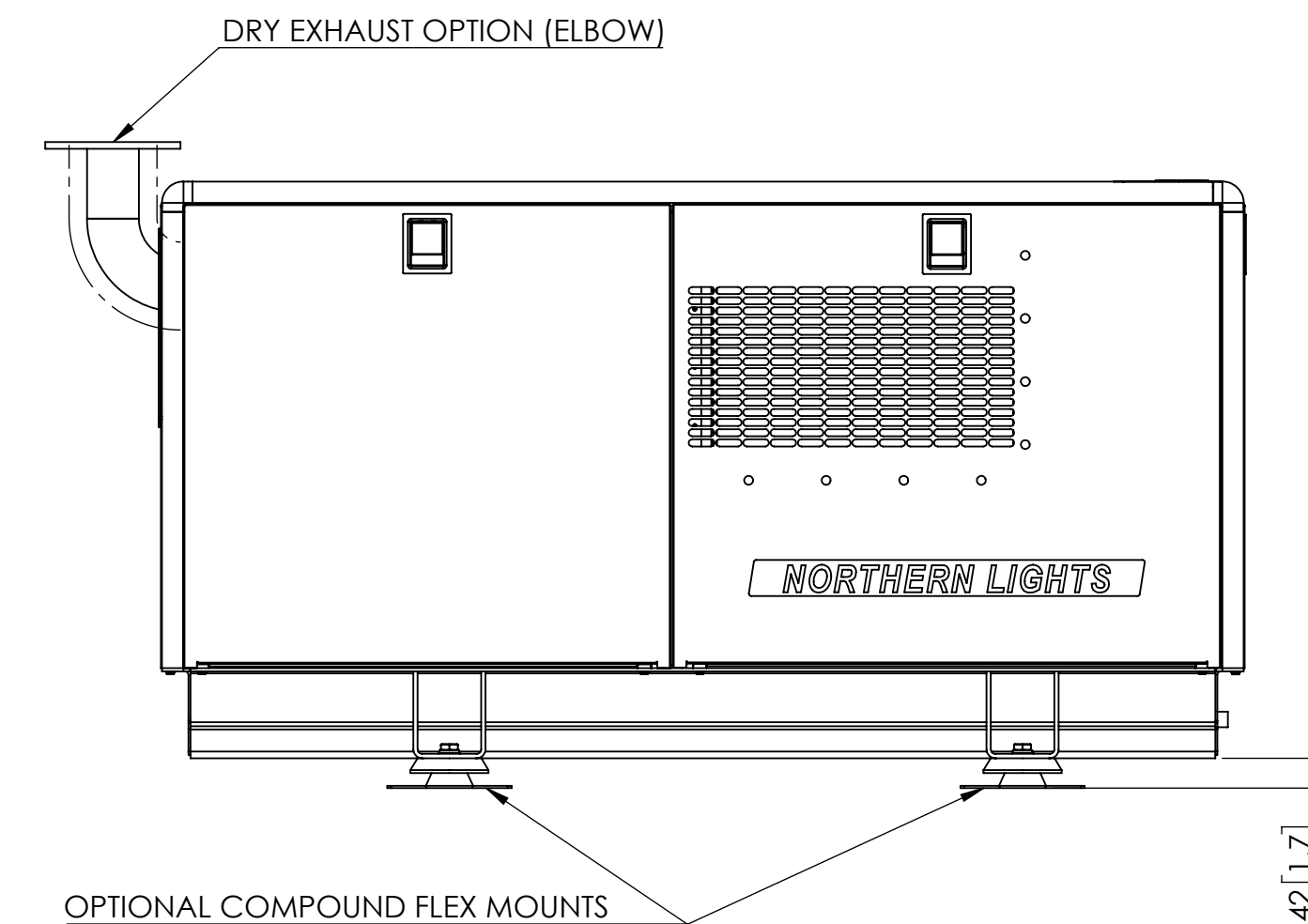
PLAN VIEW  
(M944T3F DRY EXHAUST OPTION DIMENSIONS)



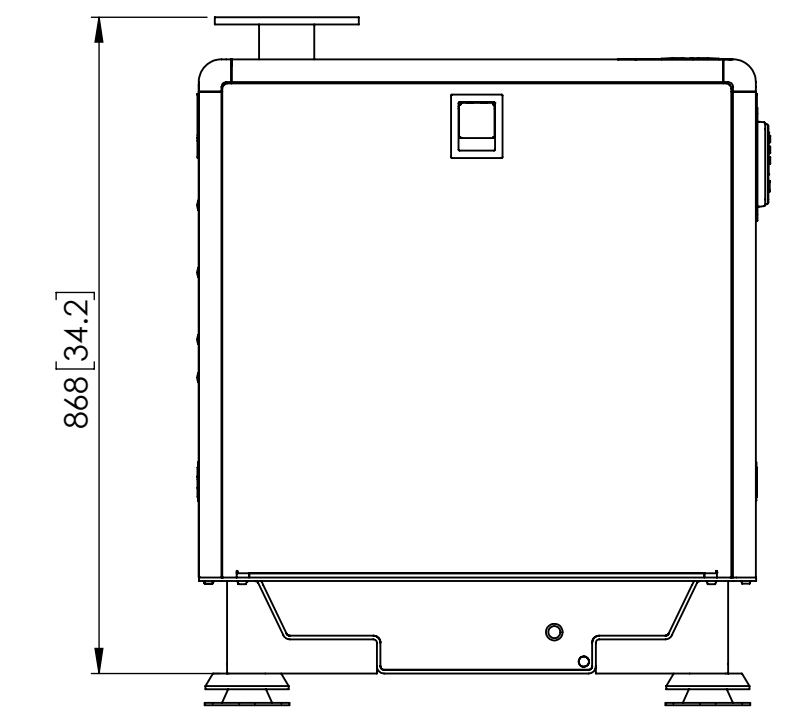
LEFT (SERVICE) SIDE VIEW



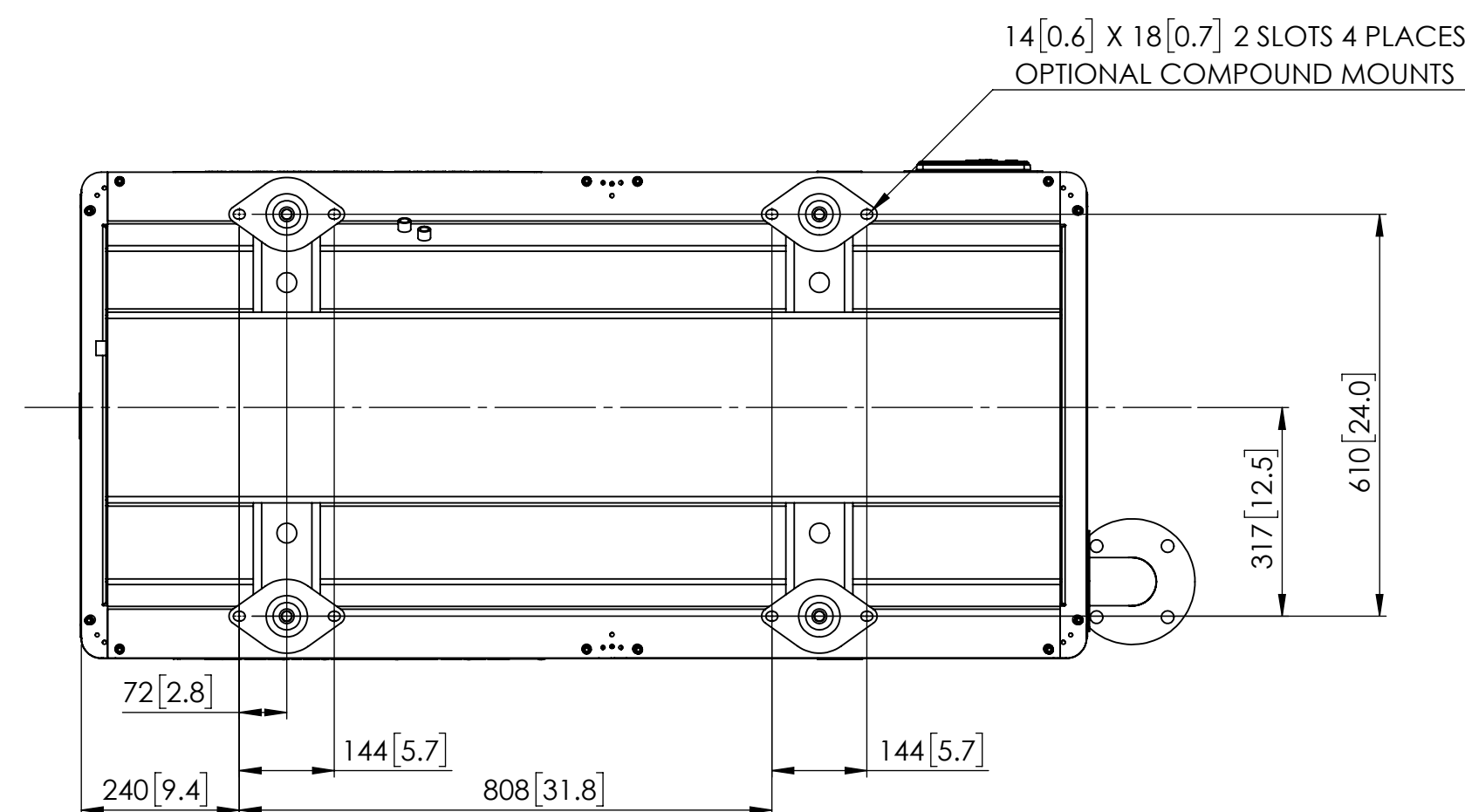
REAR VIEW



RIGHT SIDE VIEW



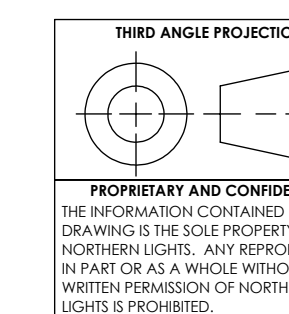
FRONT VIEW  
(M944T3F DRY EXHAUST OPTION DIMENSIONS)



BOTTOM VIEW

THE DIMENSIONS ON THIS DRAWING ARE SUBJECT TO CHANGE.  
PLEASE CONTACT NORTHERN LIGHTS INC., TO BE SURE YOU HAVE  
THE MOST CURRENT REVISION.

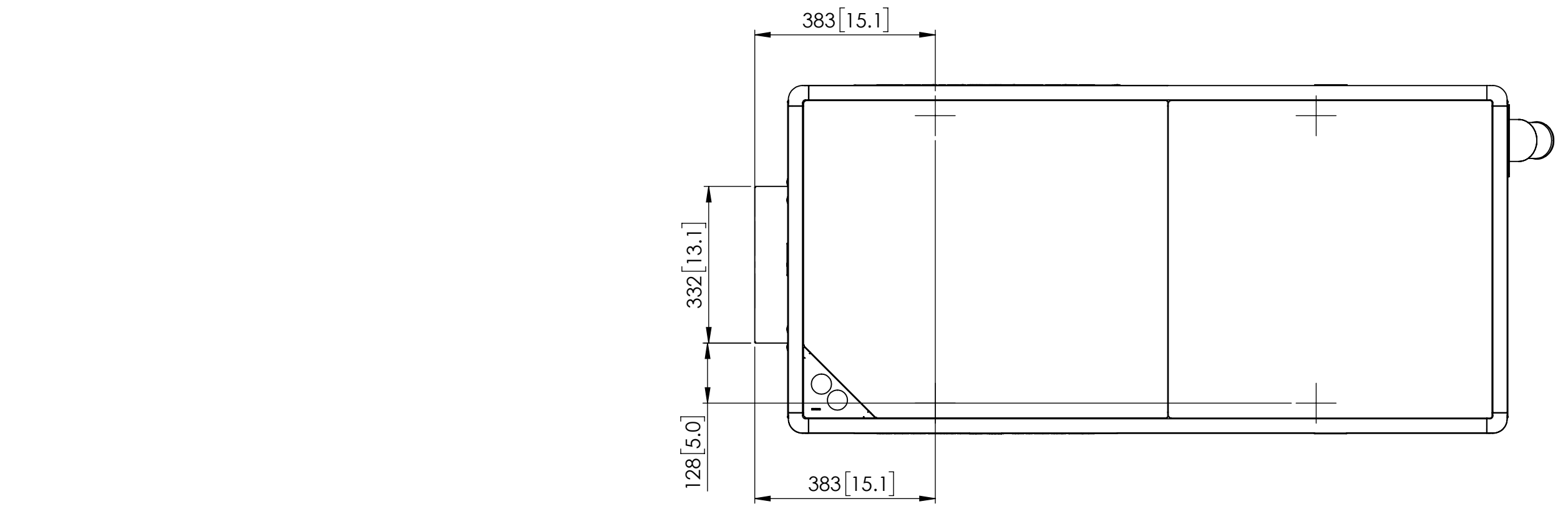
APPROX WEIGHT: 1480 LBS [671 KG]



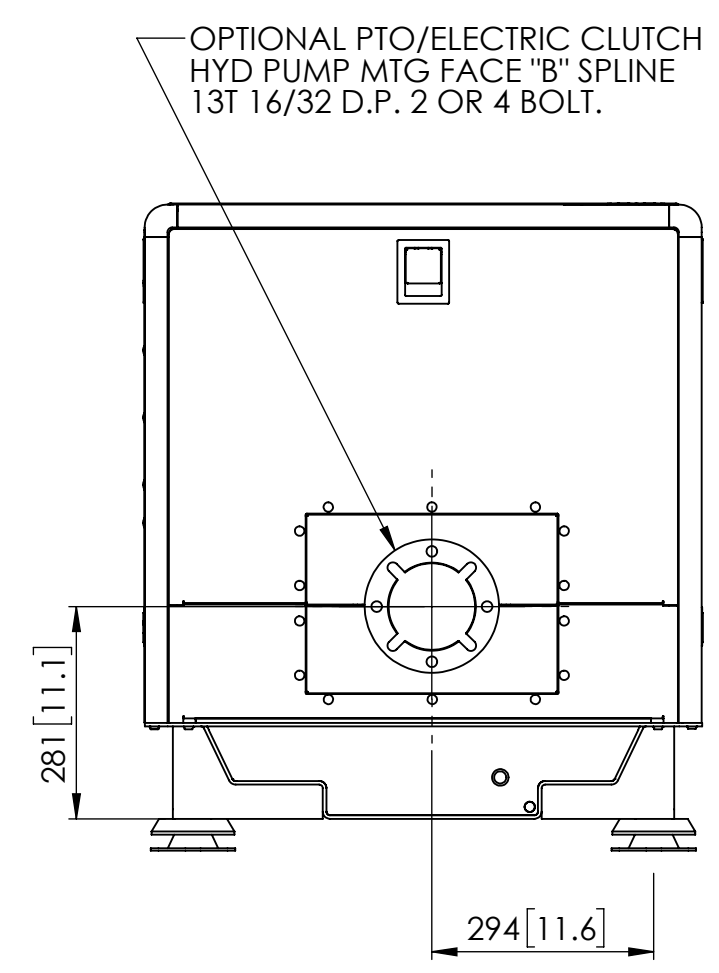
UNLESS OTHERWISE SPECIFIED:		NAME	DATE
DIMENSIONS ARE IN MILLIMETERS		GT	07/10/17
TOLERANCES:		TH	07/10/17
ANGULAR: MACH ± 0.5° BEND ± 1.0°		ENG APPR.	
X ± 0.5		MEG APPR.	
XX ± 0.3		G.A.	
INTERPRET GEOMETRIC TOLERANCING PER ASME Y14.5M		COMMENTS:	
MATERIAL:			
FINISH:			
DO NOT SCALE			

<b>NORTHERN LIGHTS</b>		4420 14th AVE. N.W. Seattle, WA 98107 (206) 789-3880 www.northern-lights.com	
TITLE: INSTALLATION DIMENSIONS M944T3F SOUND SHIELD. OPTIONAL EQUIPMENT			
SIZE	PART NO.	DWG. NO.	REV
D	05-01265	D-5023	
SCALE: 1:20	WEIGHT:	SHEET 2 OF 3	

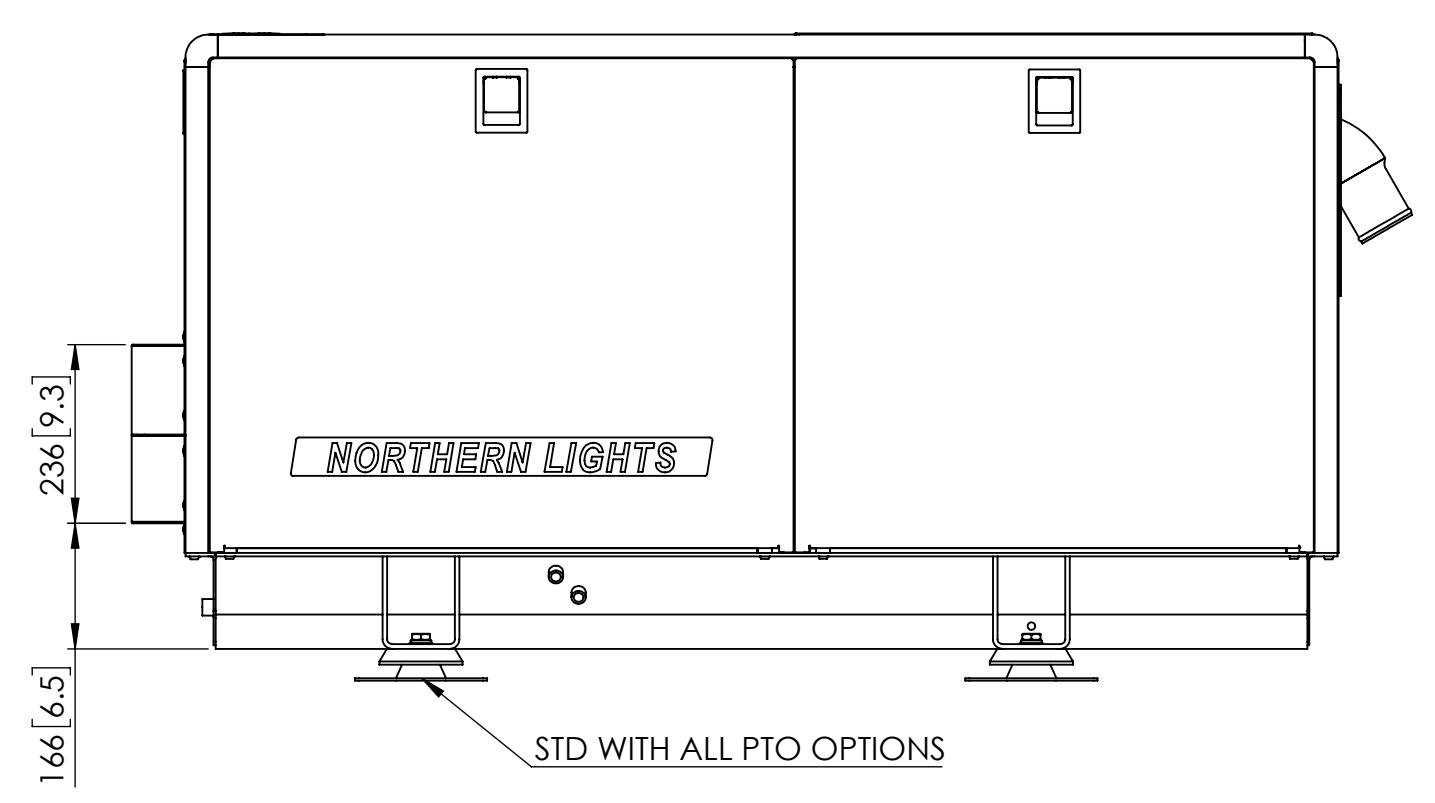
REV  
D  
D-5023



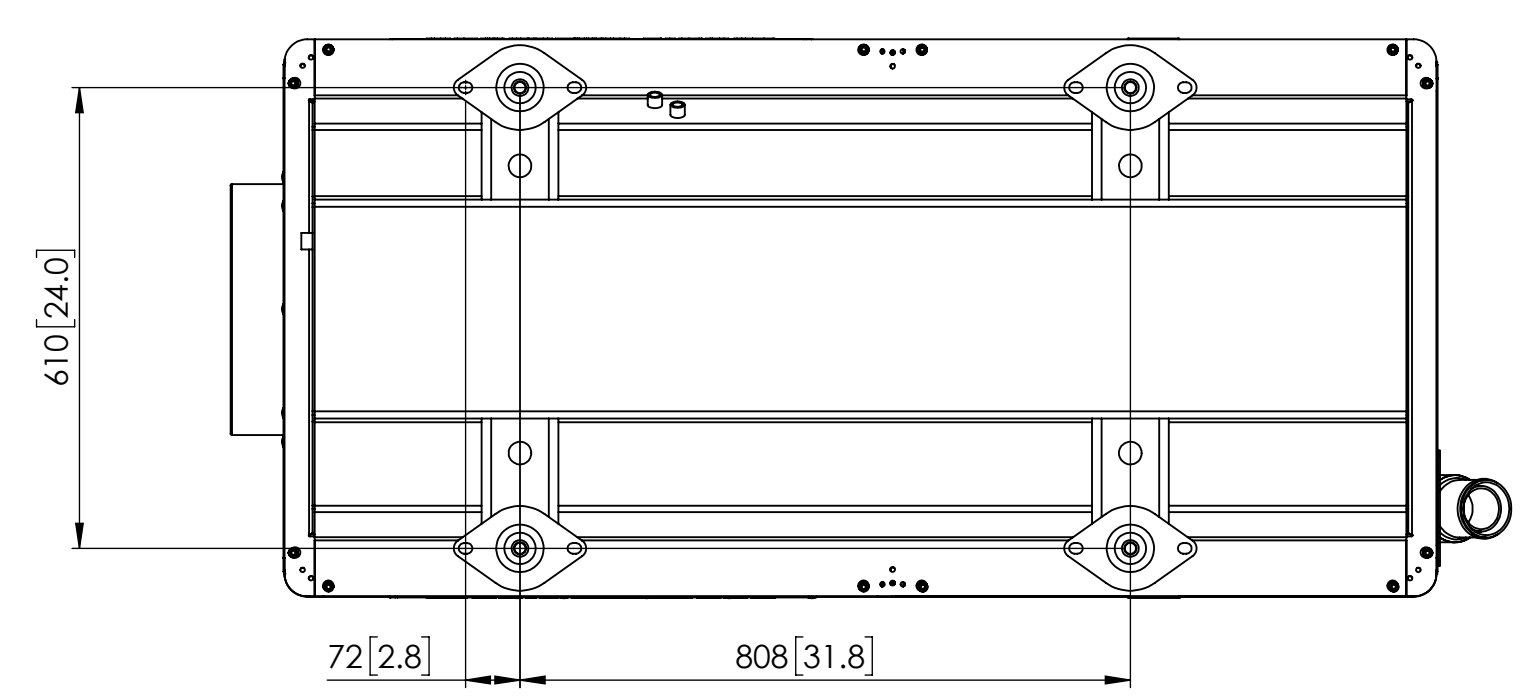
PLAN VIEW



FRONT VIEW

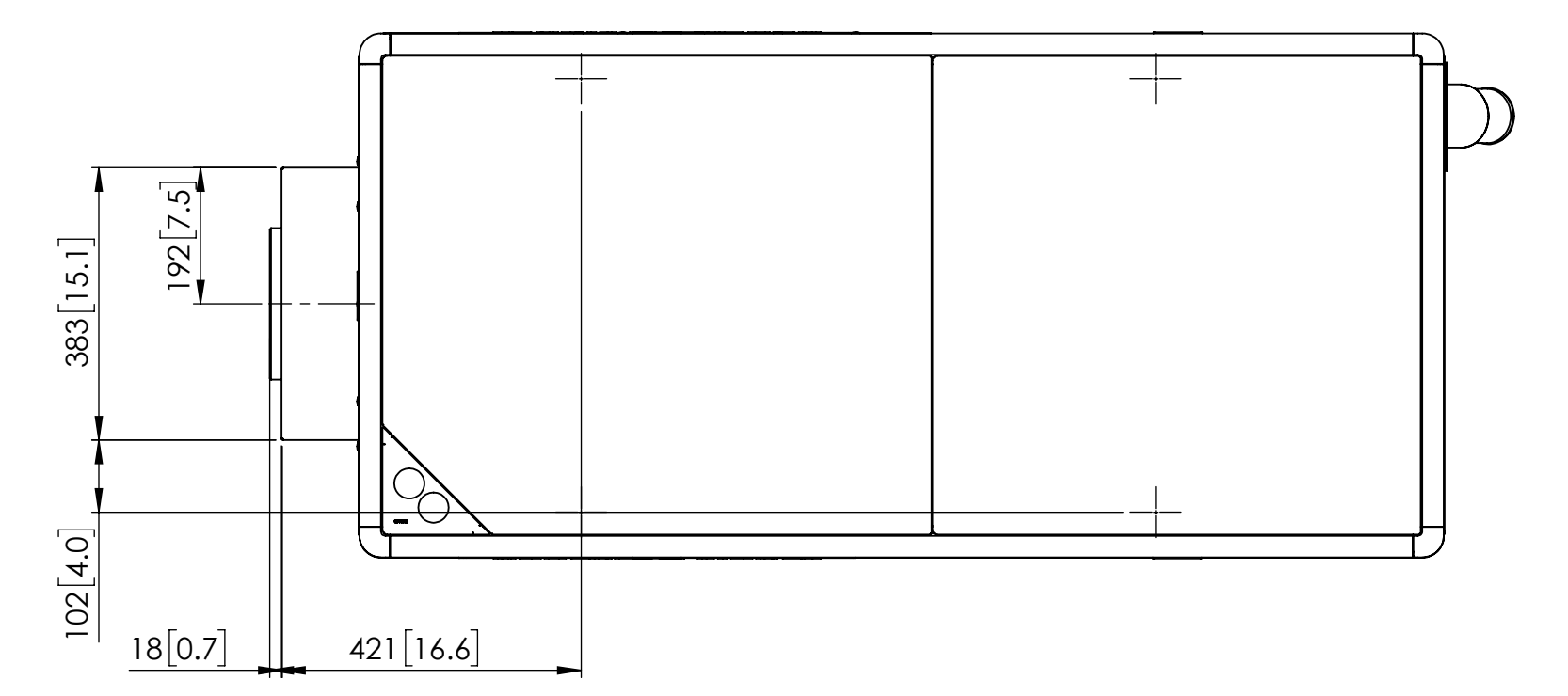


LEFT (SERVICE) SIDE VIEW

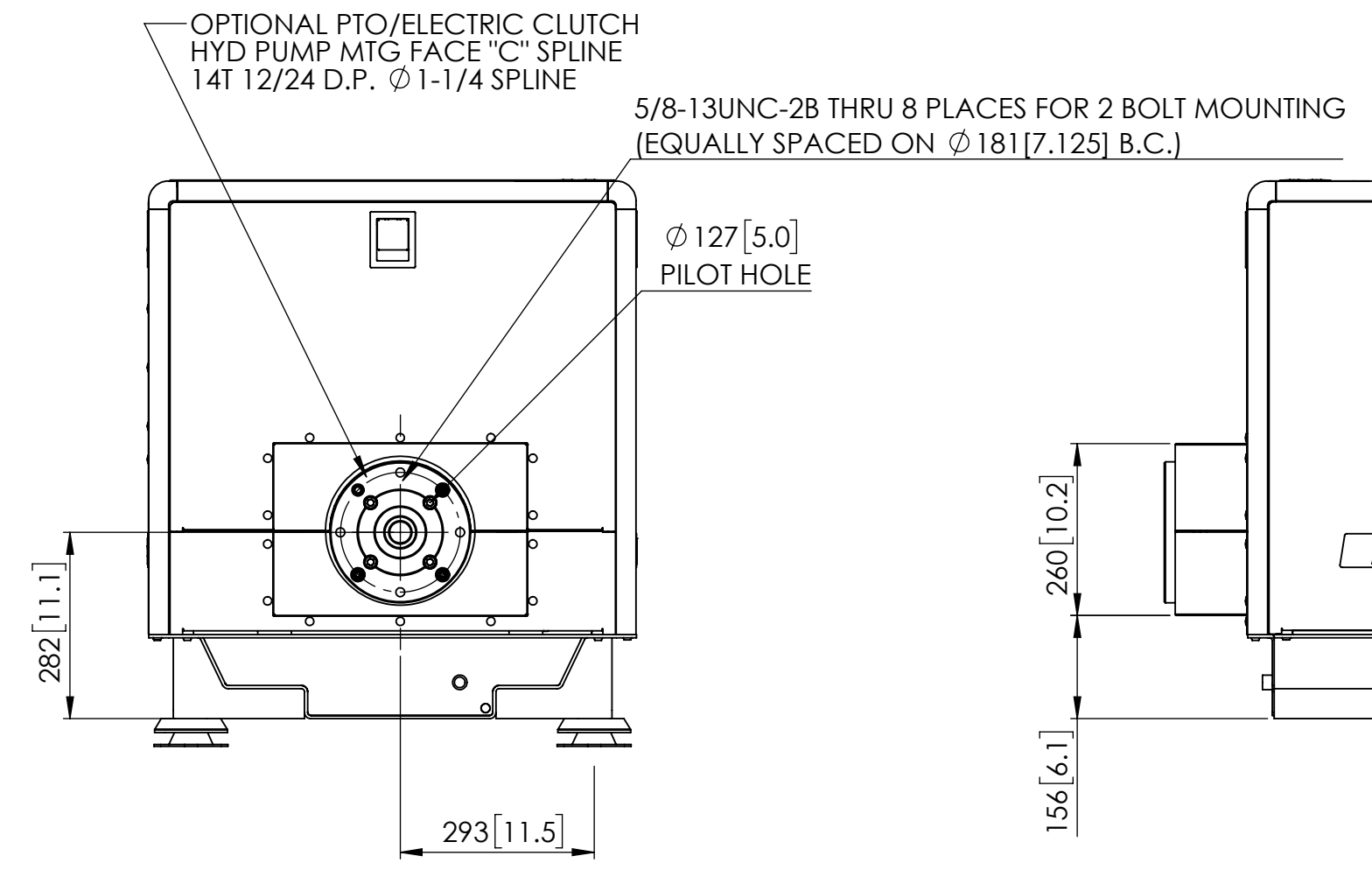


BOTTOM VIEW

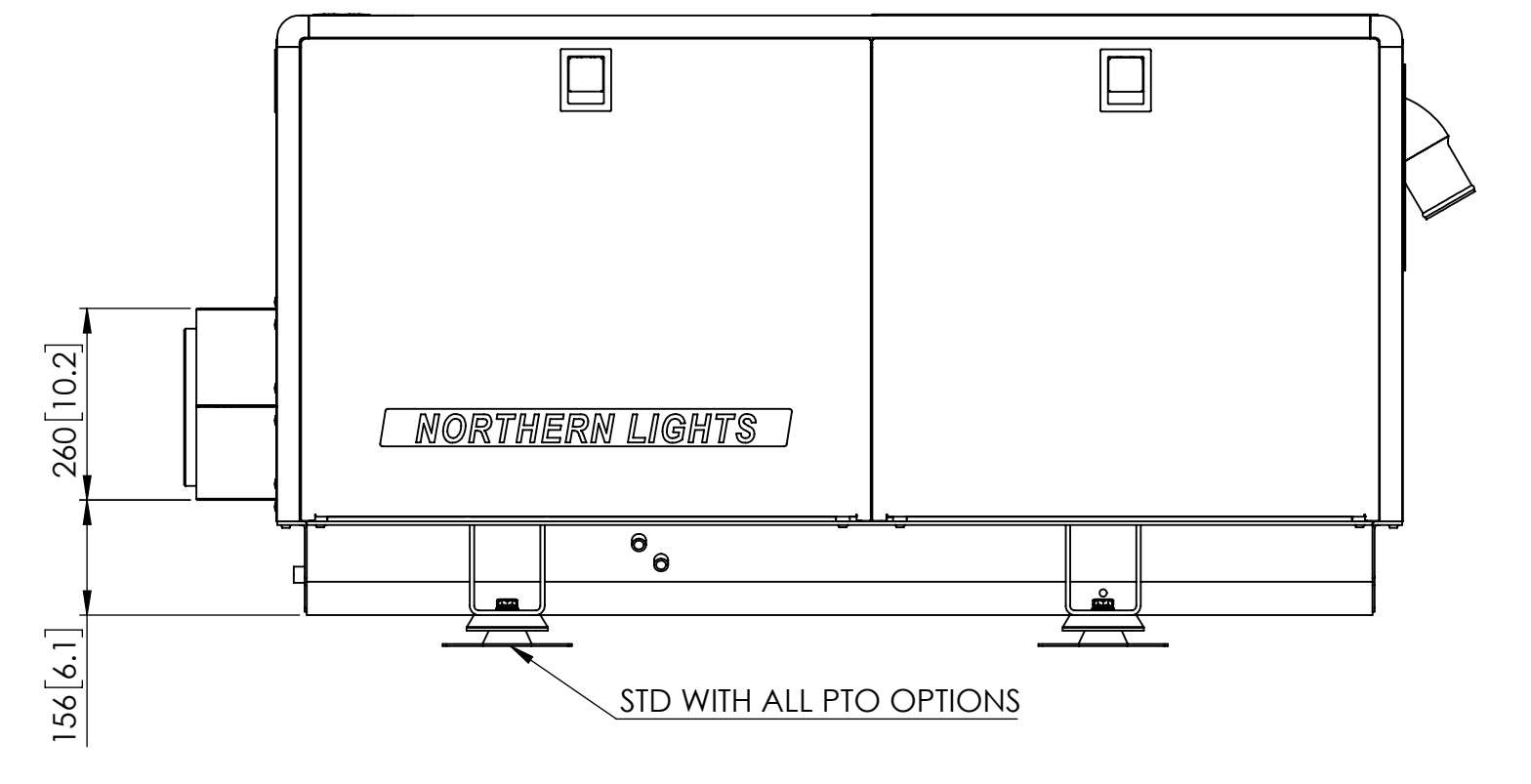
B-SPLINE PTO OPTION



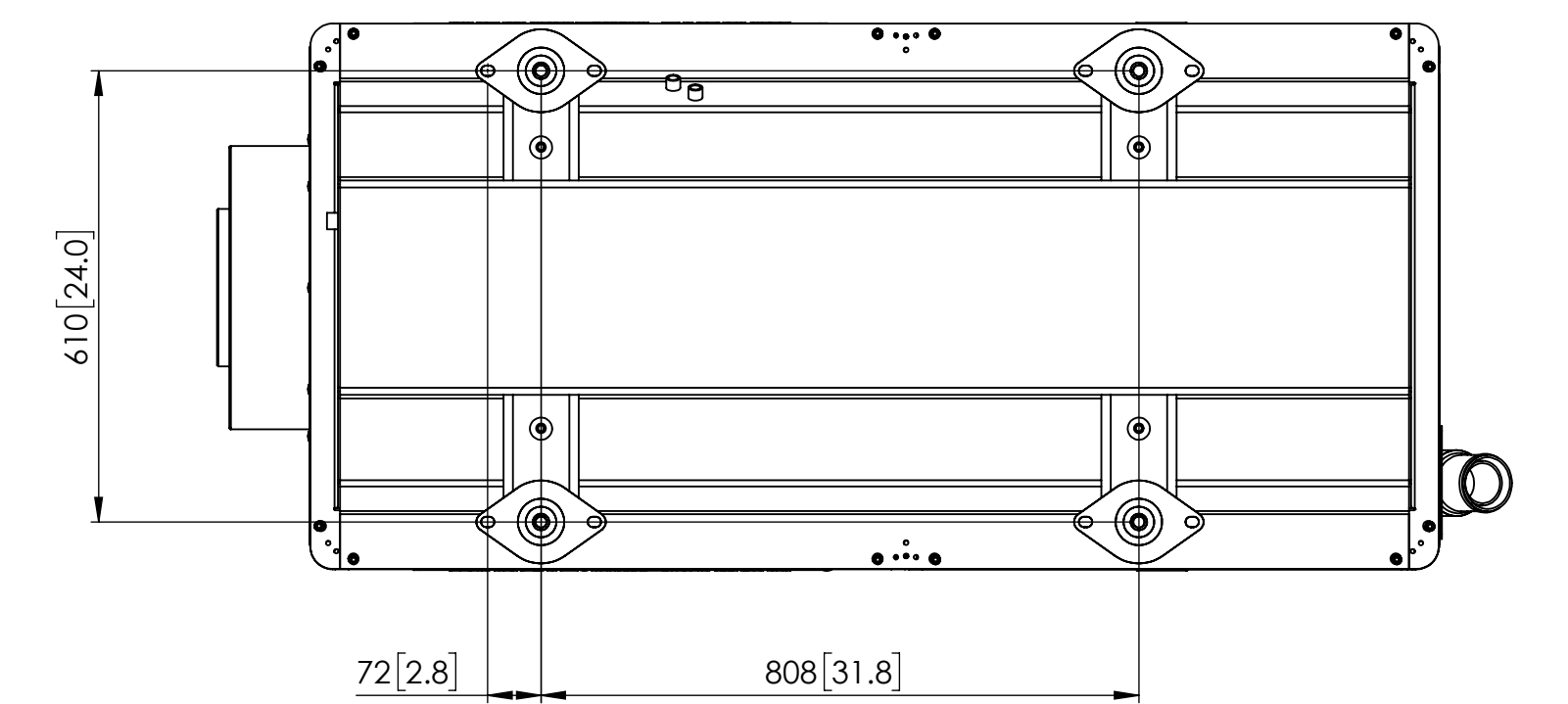
PLAN VIEW



FRONT VIEW



LEFT (SERVICE) SIDE VIEW

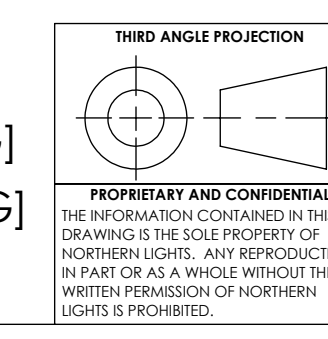


BOTTOM VIEW

C-SPLINE PTO OPTION

THE DIMENSIONS ON THIS DRAWING ARE SUBJECT TO CHANGE. PLEASE CONTACT NORTHERN LIGHTS INC., TO BE SURE YOU HAVE THE MOST CURRENT REVISION.

WEIGHT: 1446 LBS [656 KG]  
 WEIGHT WITH PTO OPTION (B-SPLINE): 1541 LBS [699 KG]  
 WEIGHT WITH PTO OPTION (C-SPLINE): 1580 LBS [717 KG]



UNLESS OTHERWISE SPECIFIED:		NAME	DATE
DIMENSIONS ARE IN MILLIMETERS		GT	07/10/17
TOLERANCES:		TH	07/10/17
ANGULAR:	MACH ± 0.5° BEND ± 1.0°	ENG APPR.	
XX ± 0.3		MEG APPR.	
XX ± 0.3		Q.A.	
INTERPRET GEOMETRIC TOLERANCING PER: ASME Y14.5M		COMMENTS:	
MATERIAL:			
FINISH:			
DO NOT SCALE			

**NORTHERN LIGHTS**  
 4420 14th AVE. N.W.  
 Seattle, WA 98107  
 (206) 789-3880  
 www.northern-lights.com

TITLE: INSTALLATION DIMENSIONS  
 M944T3F SOUND SHIELD. OPTIONAL EQUIPMENT

SIZE	PART NO.	DWG. NO.	REV
D	05-01265	D-5023	

SCALE: 1:20 WEIGHT: SHEET 3 OF 3