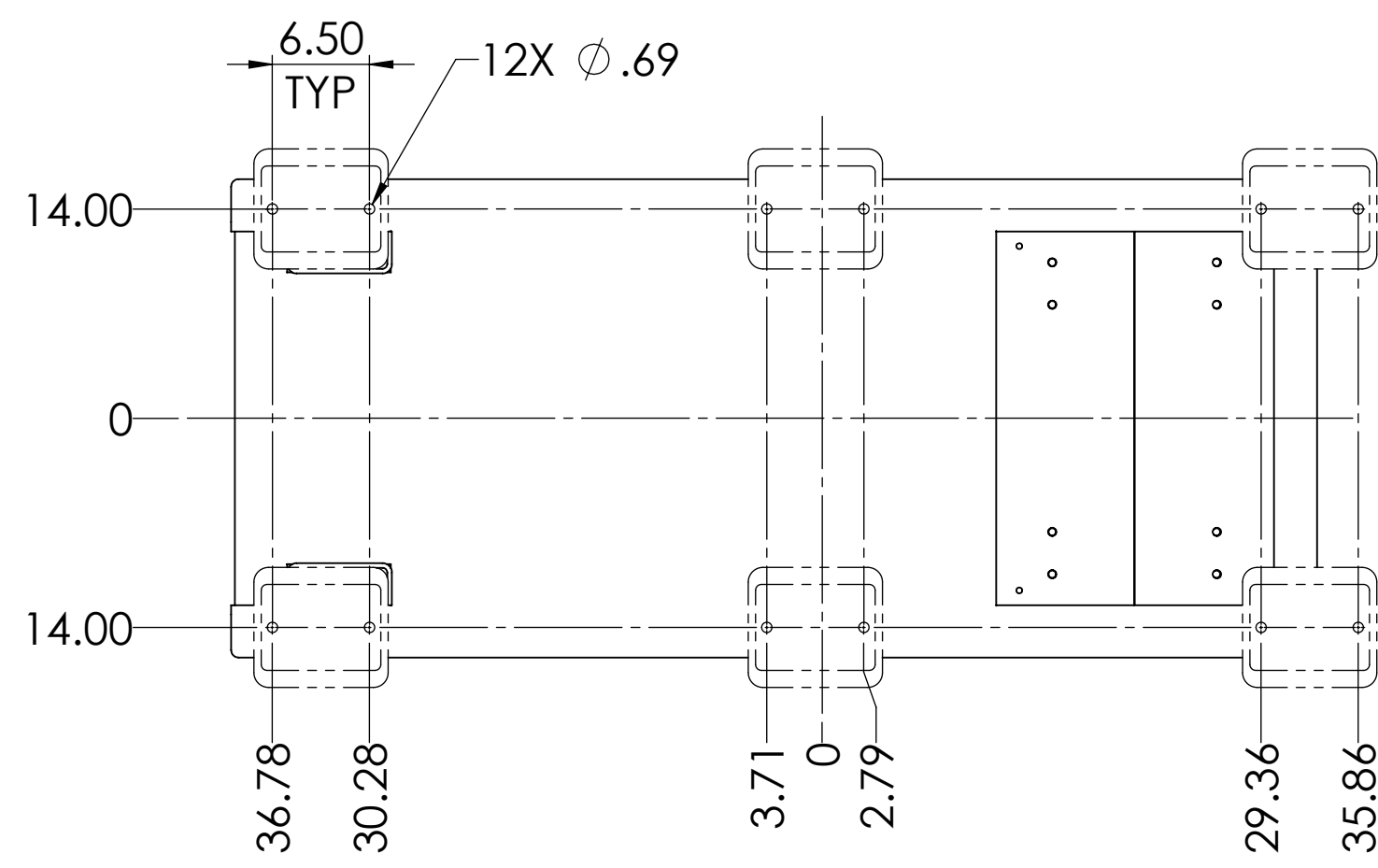
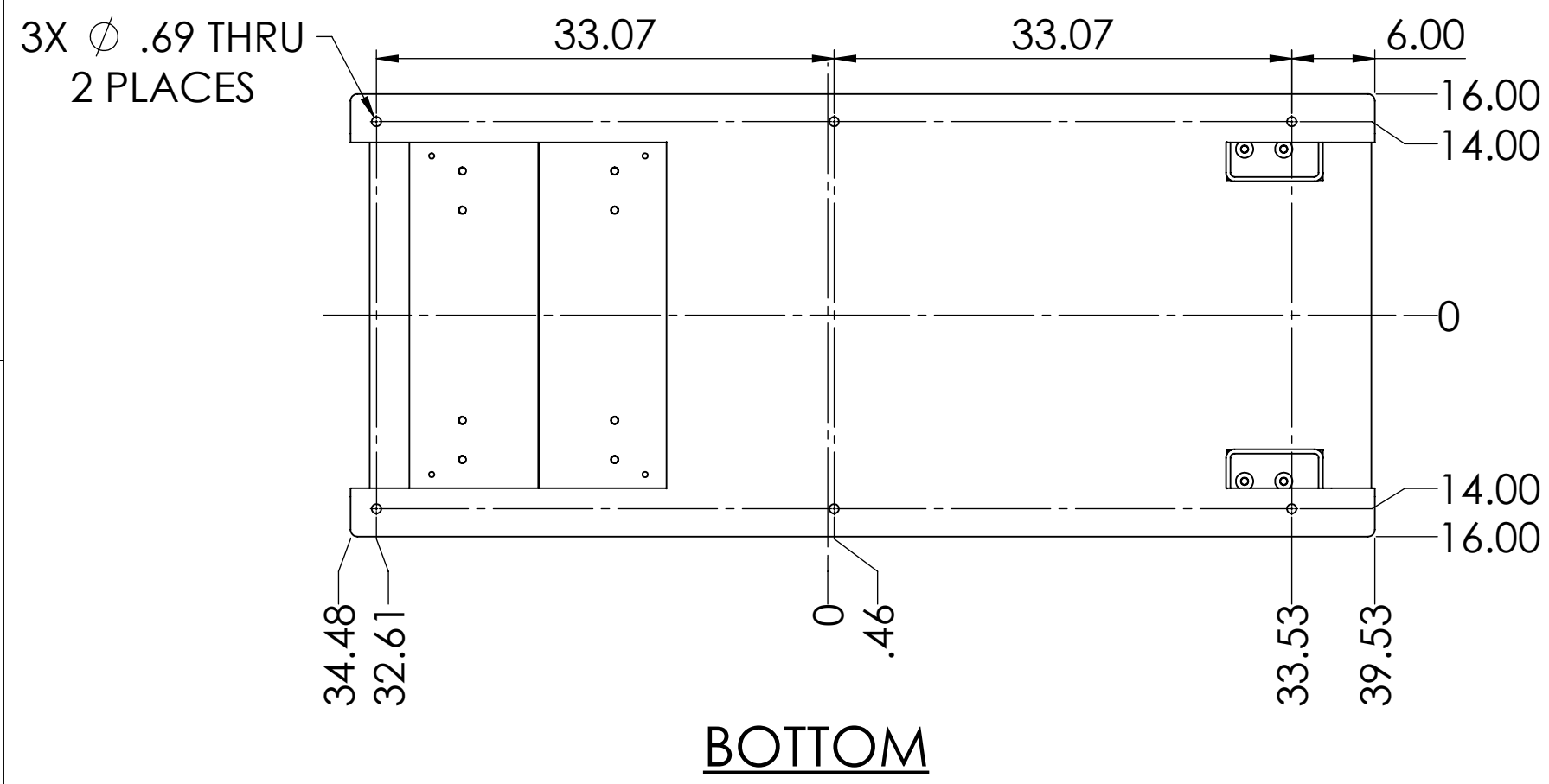
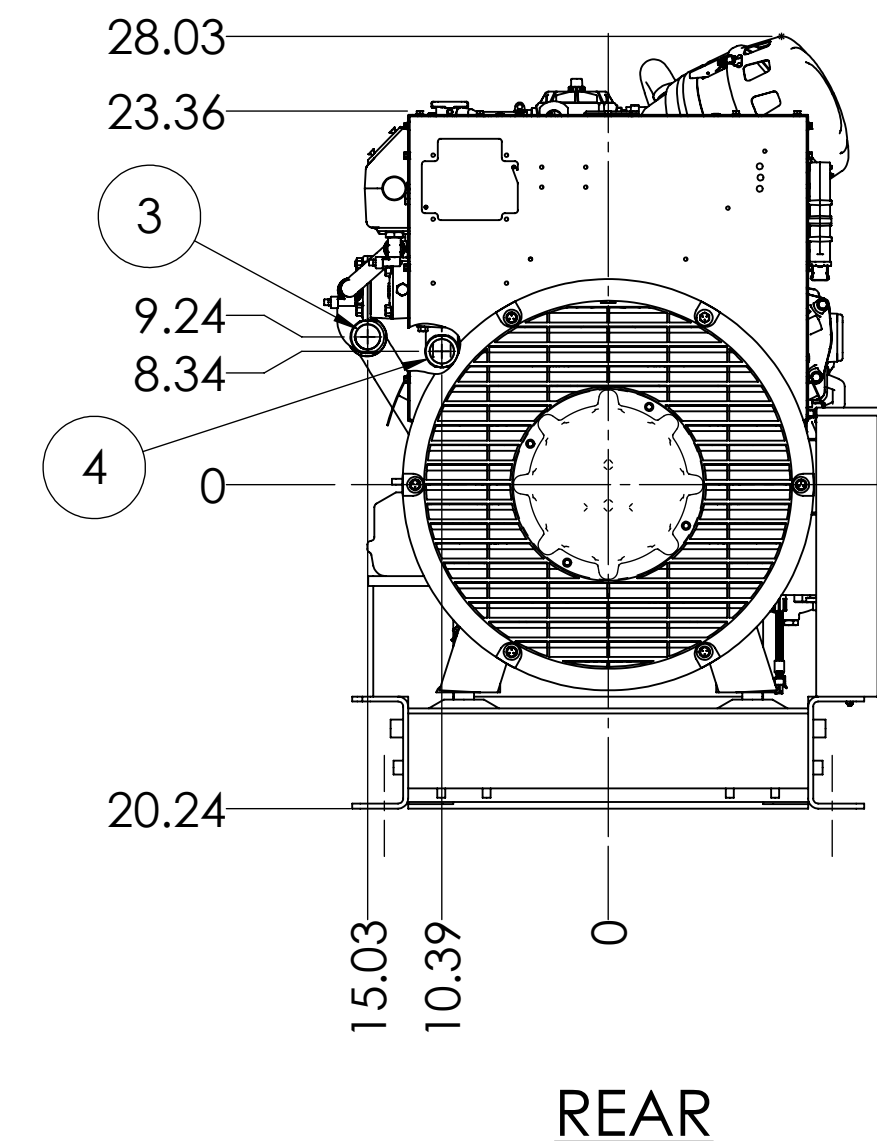
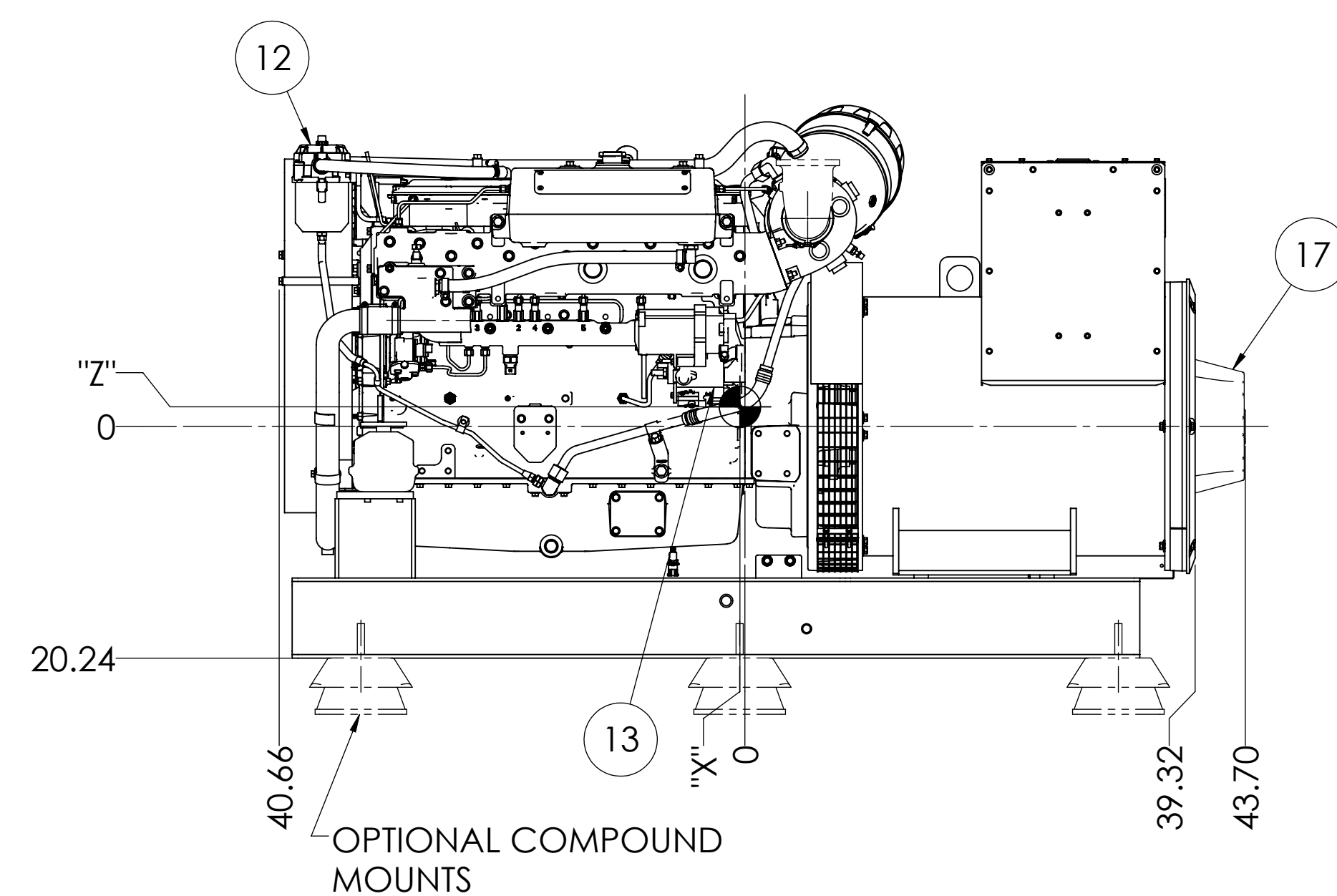
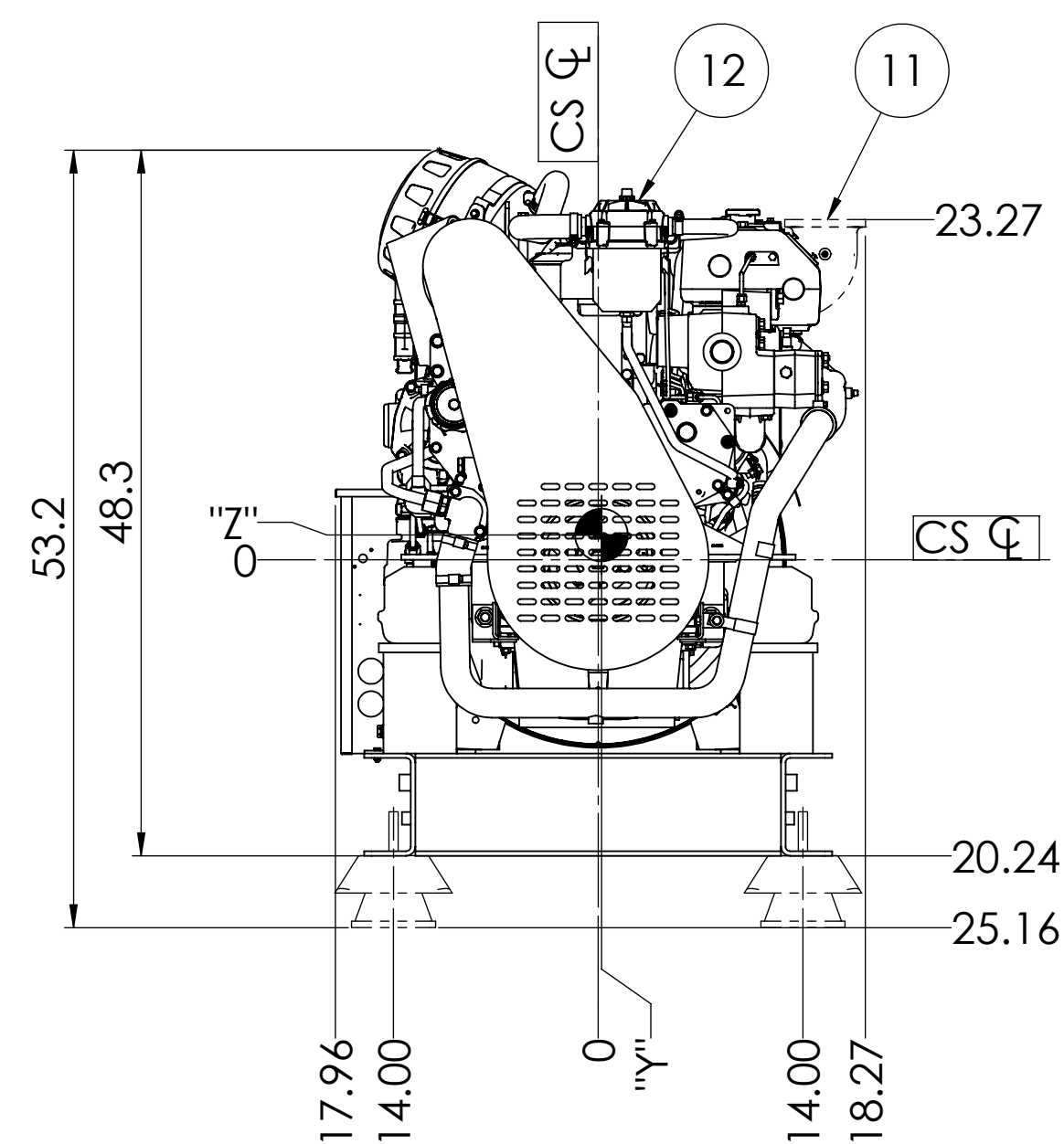
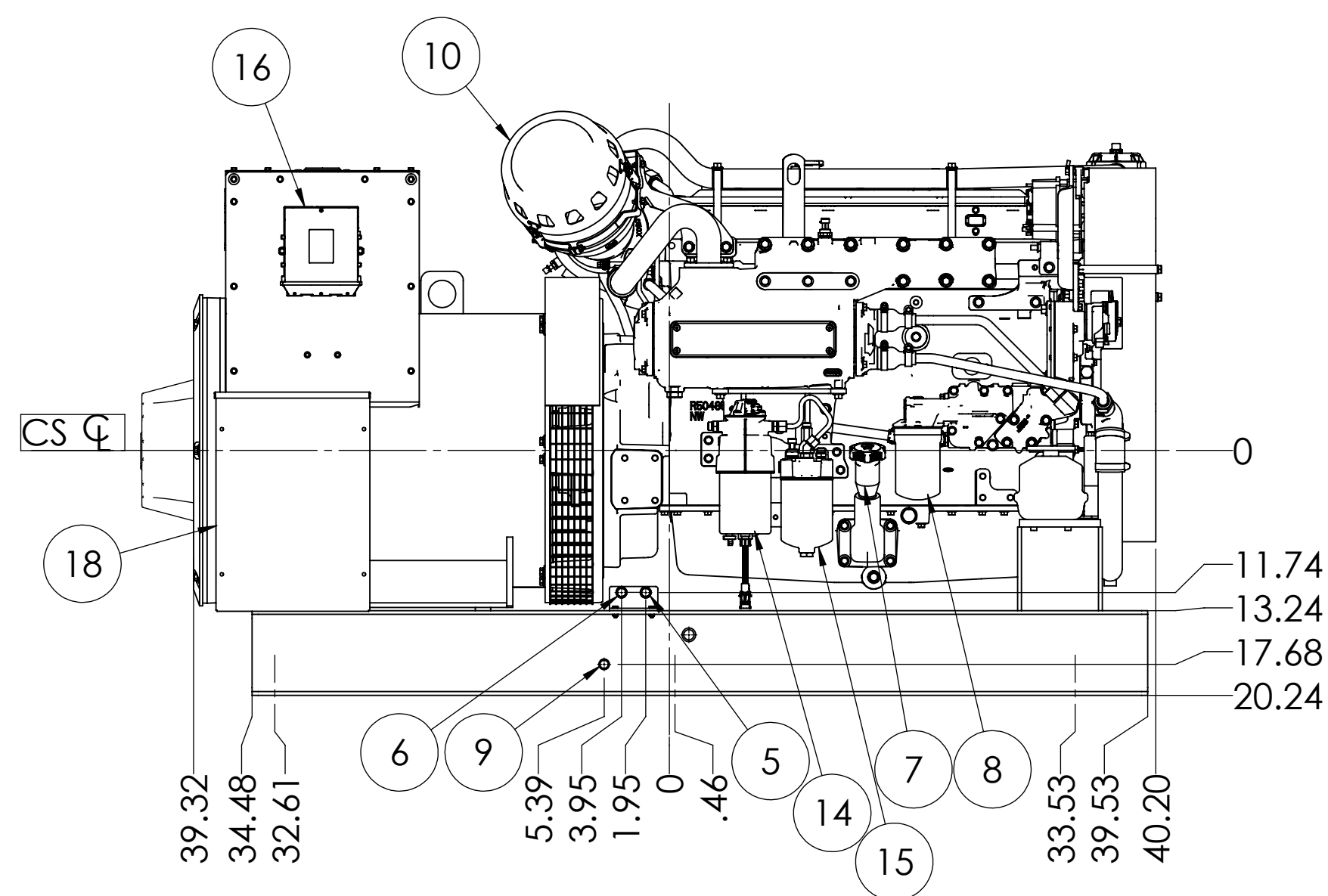


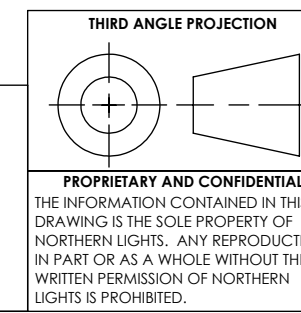
ITEM	DESCRIPTION
1	EXPANSION TANK
2	COOLANT FILL
3	COOLANT SUPPLY FROM KEEL COOLER - Ø2.0 H.B.
4	COOLANT RETURN TO KEEL COOLER - Ø2.0 H.B.
5	FUEL SUPPLY - 3/8 NPT
6	FUEL RETURN - 3/8 NPT
7	CRANKCASE OIL FILL/DIPSTICK
8	CRANKCASE OIL FILTER
9	ENGINE OIL DRAIN - 3/8 NPT
10	AIR INLET FILTER
11	OPTIONAL DRY EXHAUST ELBOW - SEE DETAIL
12	CLOSED CRANKCASE VENTILATION SYSTEM
13	ELECTRIC STARTER
14	PRIMARY FUEL FILTER
15	FINAL FUEL FILTER
16	ENGINE CONTROL UNIT
17	PMG
18	D.C. JUNCTION BOX



EST. WEIGHT AND C.G.				
MODEL	WEIGHT	C.G.		
	LBS.	X	Y	Z
M150A13.21 (150kW/60Hz)	3465	.3	.2	1.7

NOTE: WEIGHTS INCLUDE OIL, NO COOLANT.

THE DIMENSIONS ON THIS DRAWING ARE SUBJECT TO CHANGE. PLEASE CONTACT NLI TO BE SURE YOU HAVE THE MOST CURRENT REVISION.



UNLESS OTHERWISE SPECIFIED: DIMENSIONS ARE IN INCHES TOLERANCES: ANGULAR: ±0.5° HORIZONTAL: ±0.1 XXX ± 0.04 XXX ± 0.005 INTERPRET GEOMETRIC TOLERANCING PER ASME Y14.5M MATERIAL: FINISH: DO NOT SCALE	NAME: MG DATE: 07/07/17	DRAWN: CHECKED: ENG APPR: MEG APPR: G.A. COMMENTS:
--	----------------------------	---

NORTHERN LIGHTS
4420 14th AVE. N.W.
Seattle, WA 98107
(206) 789-3880
www.northern-lights.com

TITLE: **INSTALLATION DIMENSIONS**
M150A13 KEEL COOLED

SIZE: D	PART NO.	DWG. NO. D-5024	REV
SCALE: 1:12	WEIGHT: LBS.	SHEET 1 OF 1	