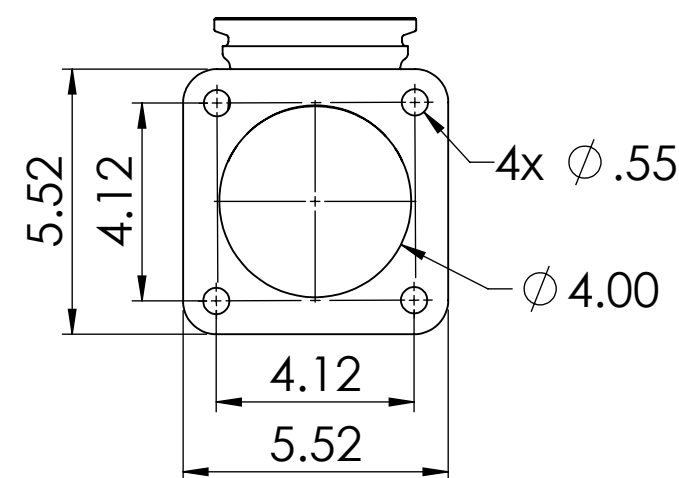
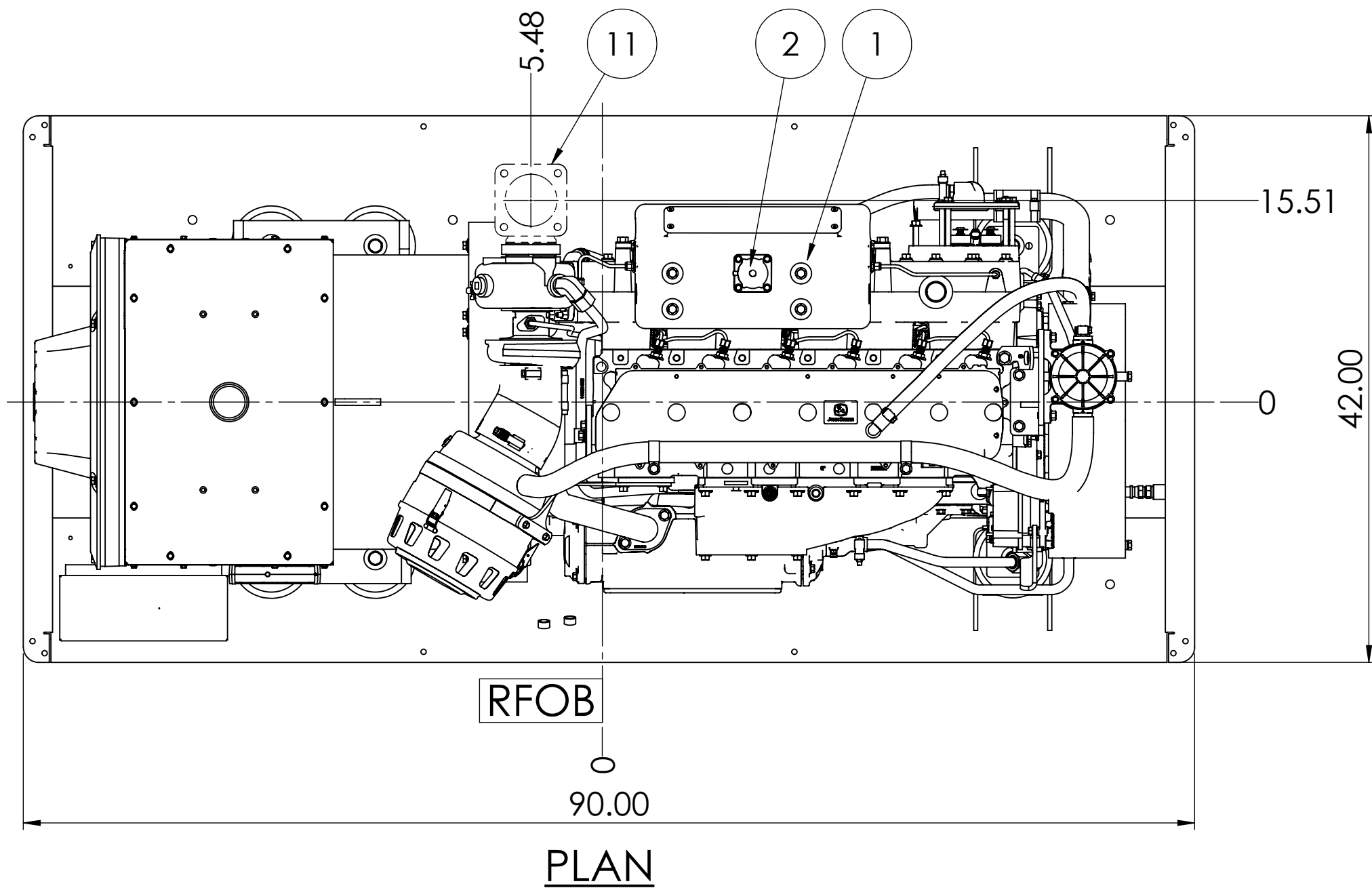


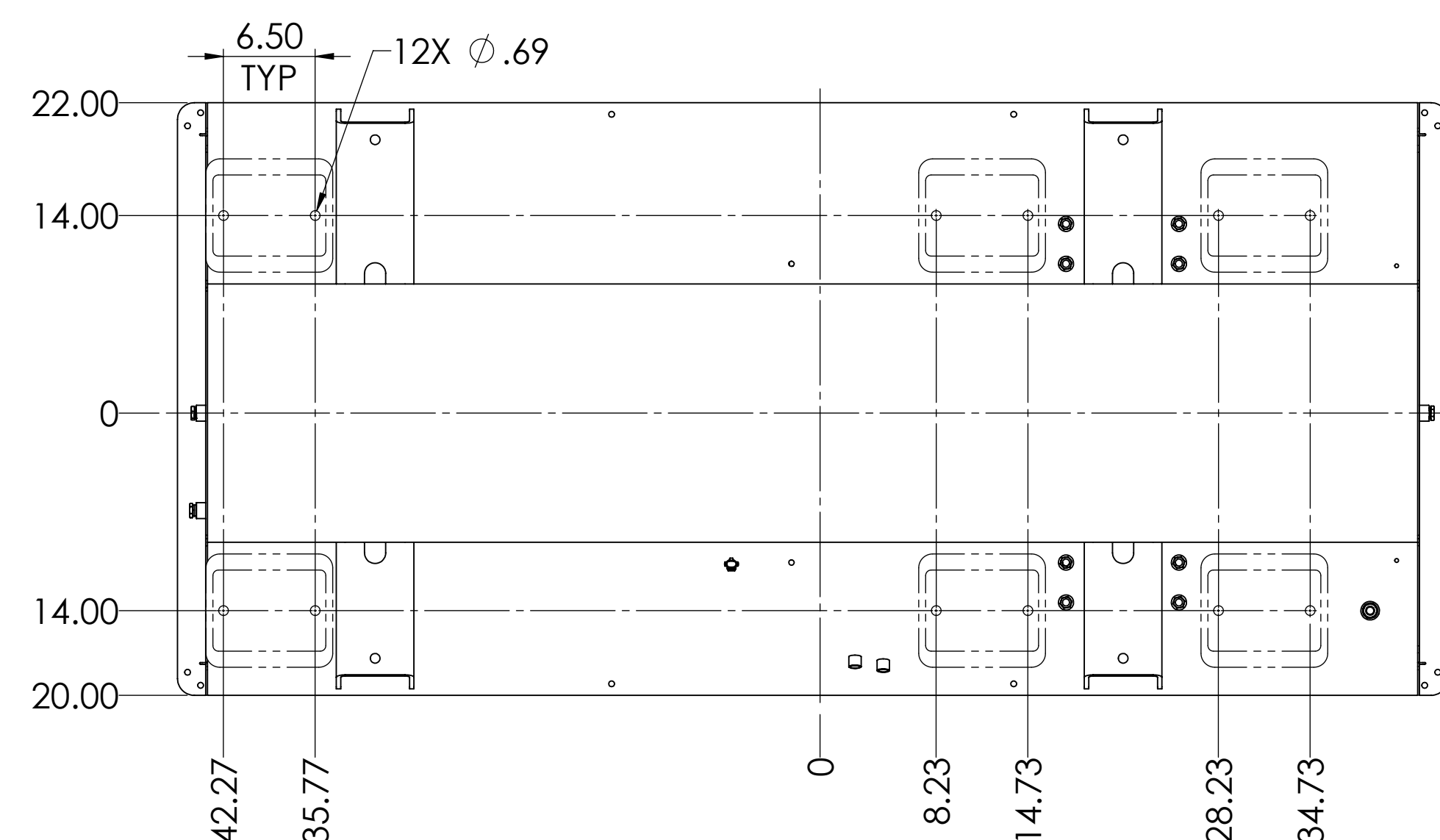
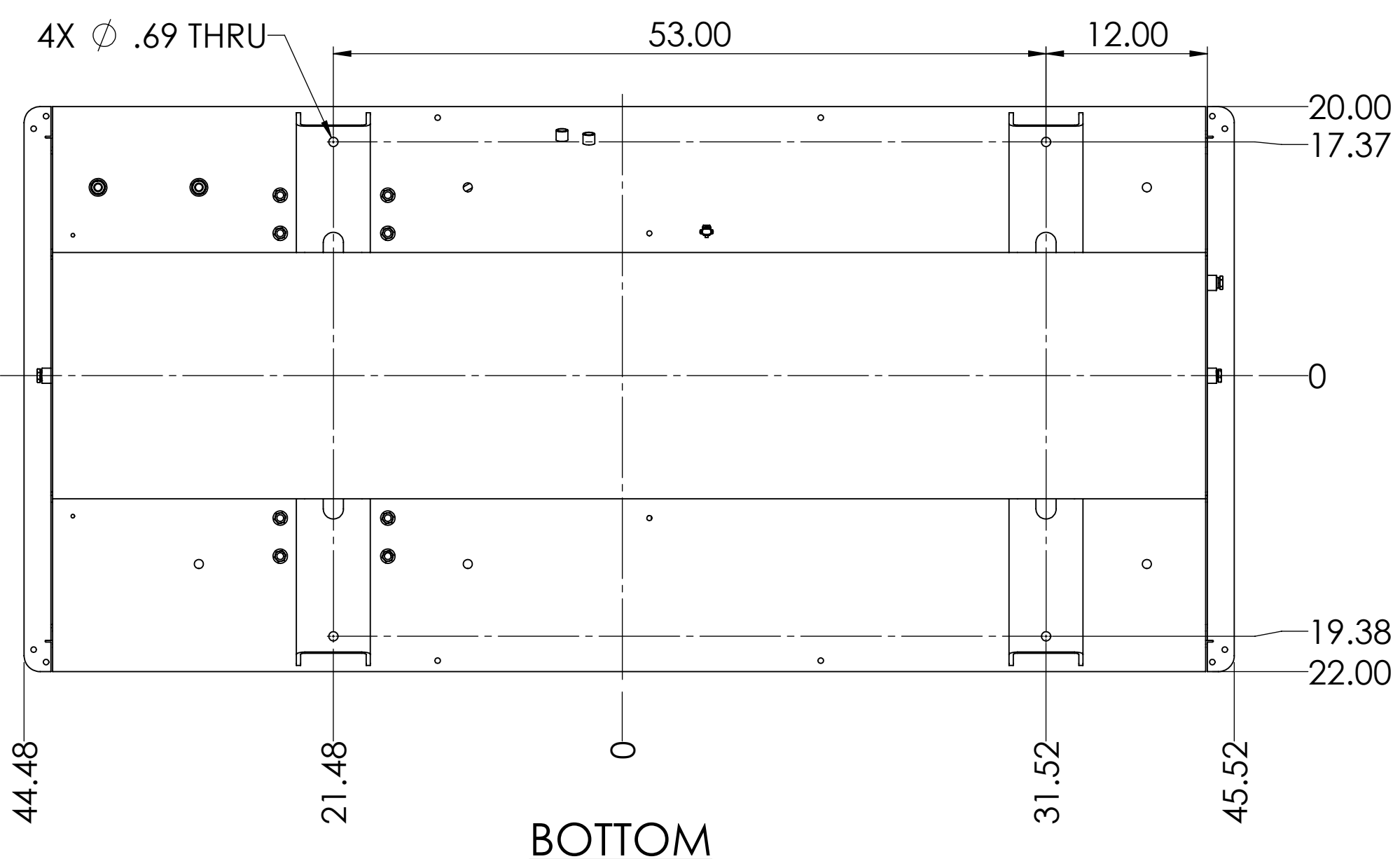
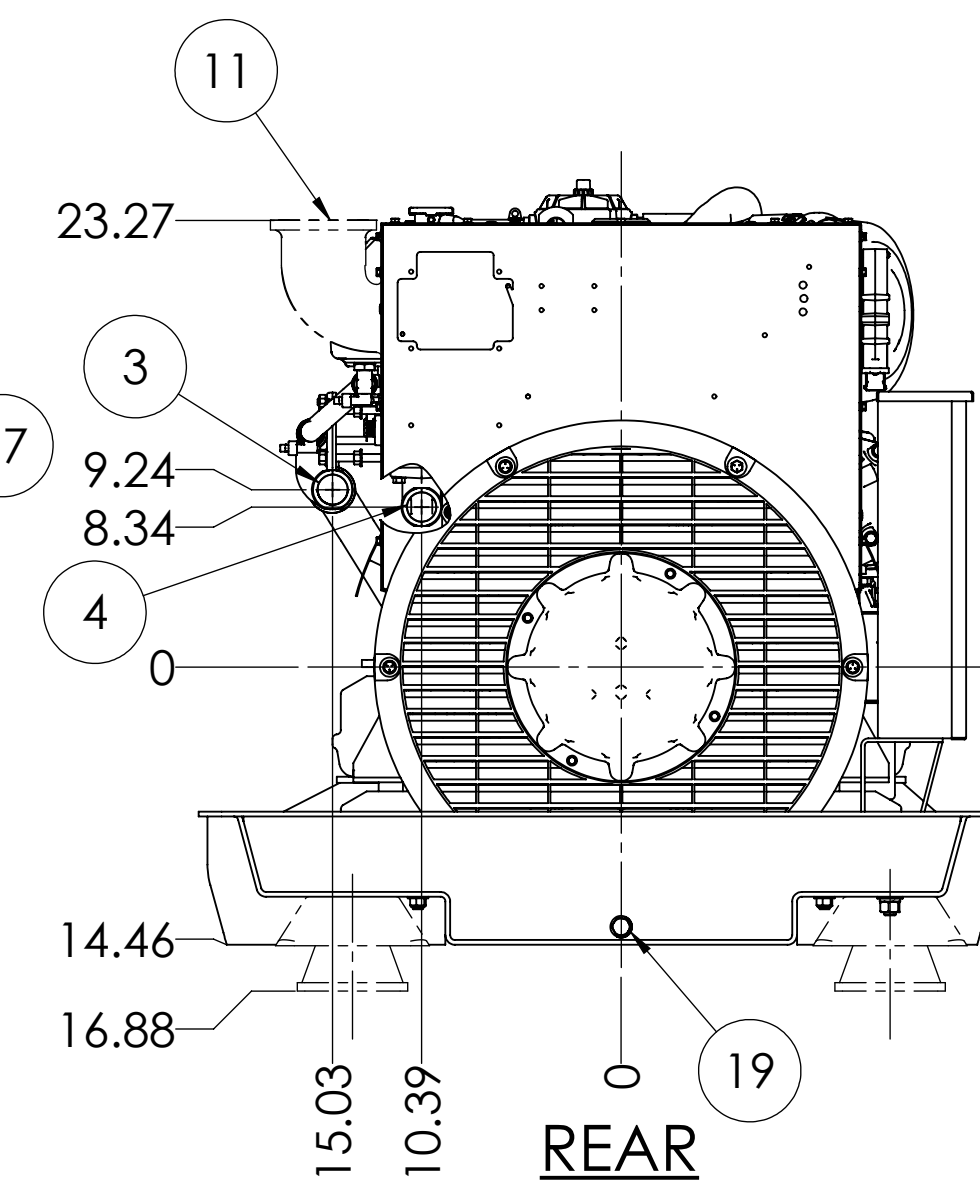
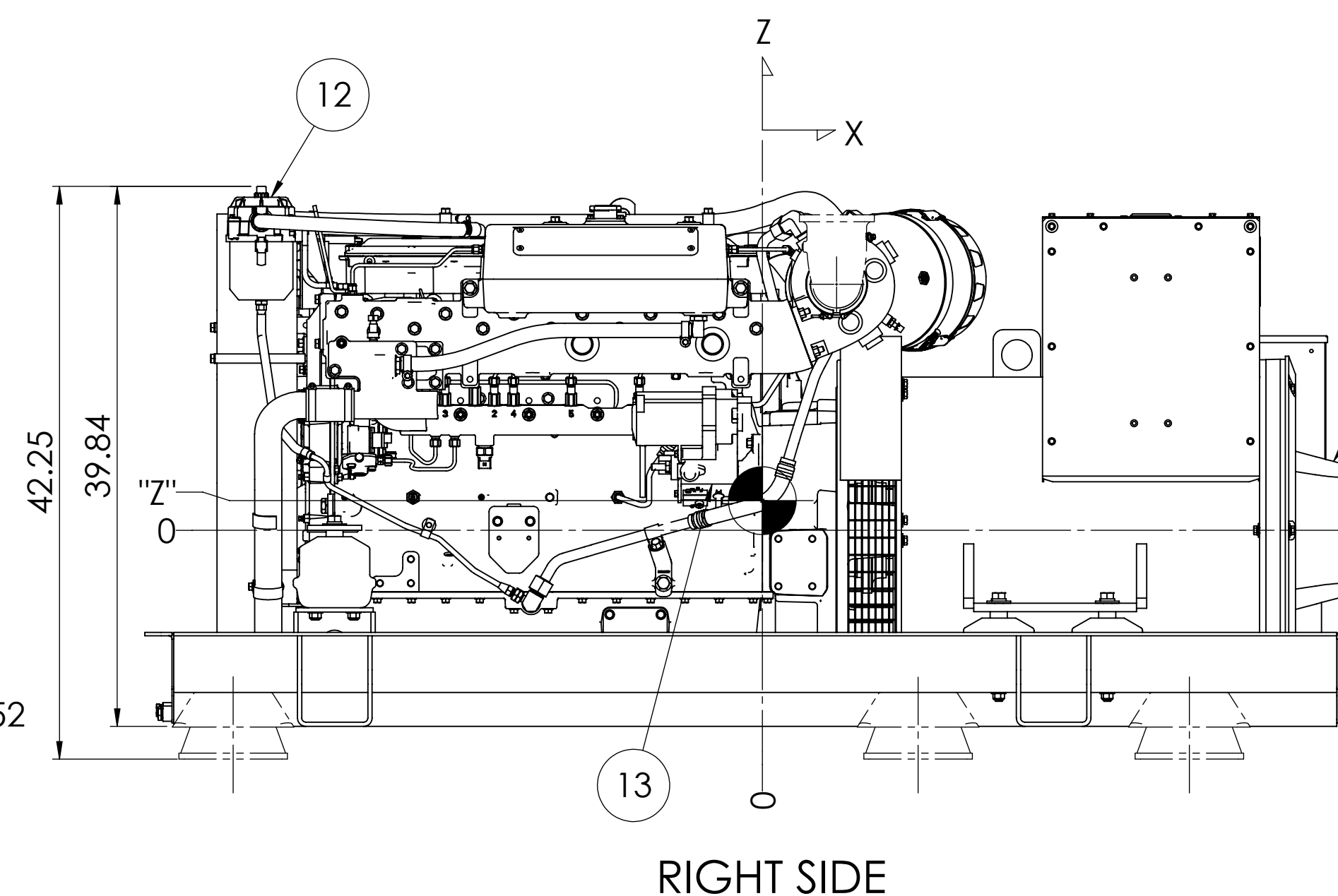
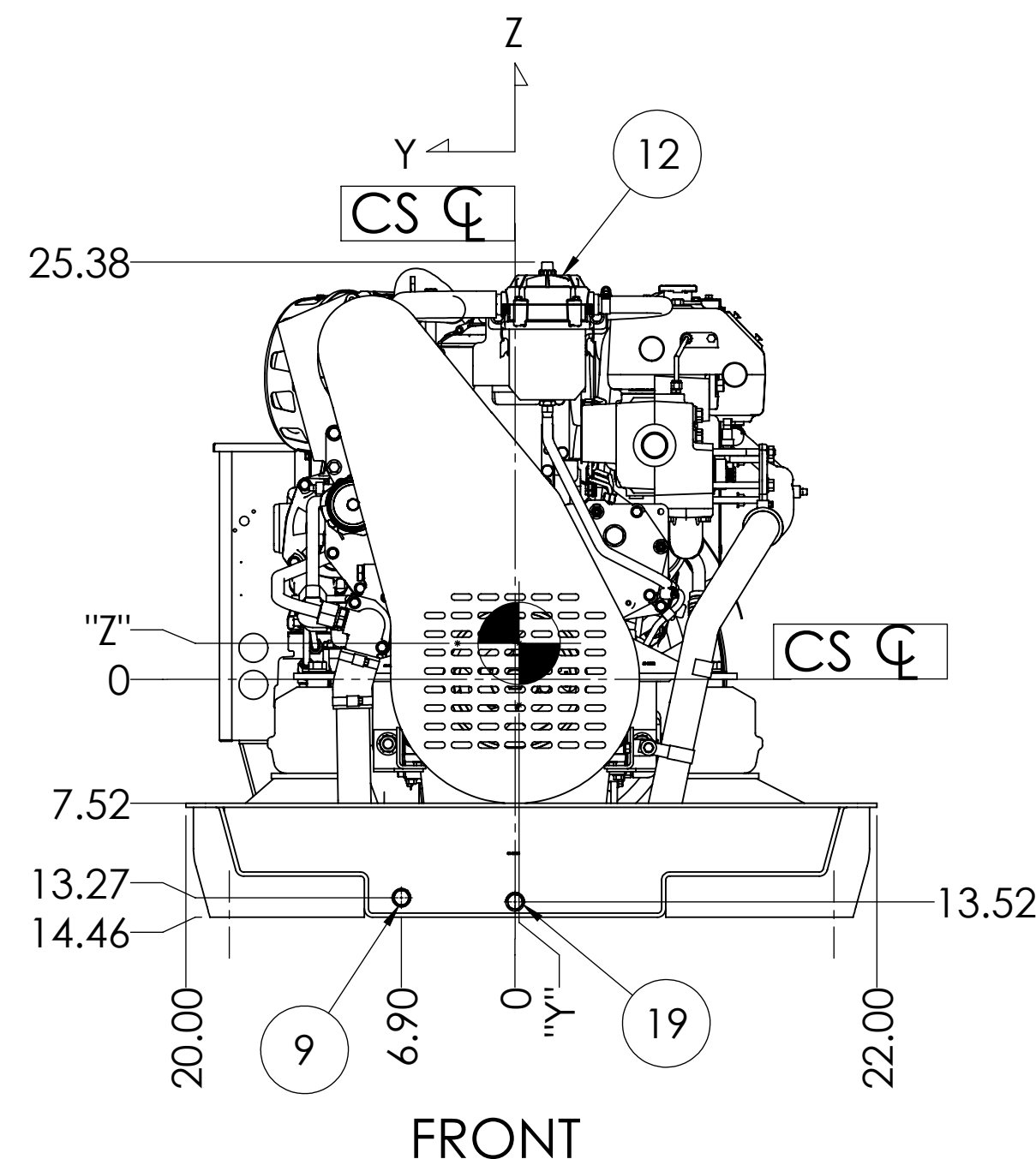
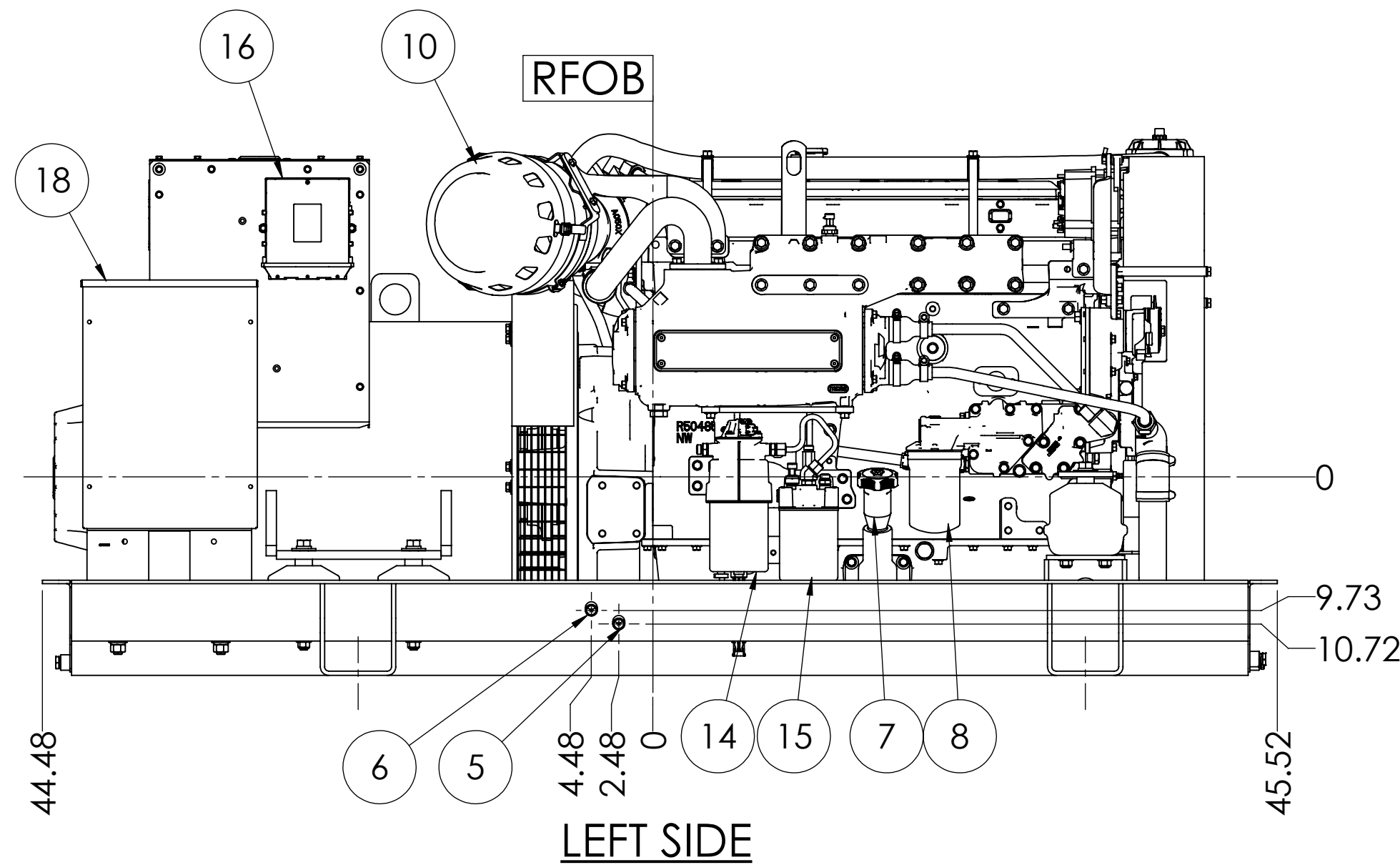
EST. WEIGHT AND C.G.				
MODEL	WEIGHT	C.G.		
	LBS.	X	Y	Z
M150A13.21L (150kW/60Hz)	3485	0	-3	2.2
M150A13.61L (125kW/50Hz)	3630	1.2	-3	2.1

NOTE: WEIGHTS INCLUDE OIL, NO COOLANT.

ITEM	DESCRIPTION
1	EXPANSION TANK
2	COOLANT FILL
3	COOLANT SUPPLY FROM KEEL COOLER - $\phi$ 2.0 H.B.
4	COOLANT RETURN TO KEEL COOLER - $\phi$ 2.0 H.B.
5	FUEL SUPPLY - 3/8 NPT
6	FUEL RETURN - 3/8 NPT
7	CRANKCASE OIL FILL/DIPSTICK
8	CRANKCASE OIL FILTER
9	ENGINE OIL DRAIN - 1/2 NPT
10	AIR INLET FILTER
11	OPTIONAL DRY EXHAUST ELBOW - SEE DETAIL
12	CLOSED CRANKCASE VENTILATION SYSTEM
13	ELECTRIC STARTER
14	PRIMARY FUEL FILTER
15	FINAL FUEL FILTER
16	ENGINE CONTROL UNIT
17	PMG
18	D.C. JUNCTION BOX
19	BASE PAN DRAIN - 1/2 NPT

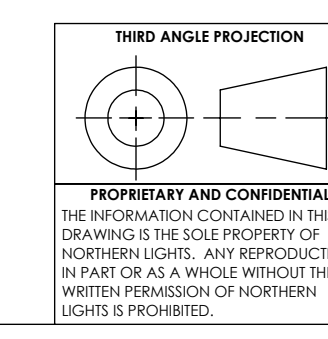


OPTIONAL DRY EXHAUST ELBOW  
SCALE 1:4



OPTIONAL COMPOUND MOUNTS

THE DIMENSIONS ON THIS DRAWING ARE SUBJECT TO CHANGE. PLEASE CONTACT NLI TO BE SURE YOU HAVE THE MOST CURRENT REVISION.



UNLESS OTHERWISE SPECIFIED:		NAME	DATE
DIMENSIONS ARE IN INCHES		MG	07/07/17
TOLERANCES:		CHECKED	TAH
ANGULAR: 0.5°		ENG APPR.	
HORIZONTAL: X ± 0.1		MEG APPR.	
VERTICAL: XX ± 0.04		G.A.	
HOLE: XXX ± 0.005		COMMENTS:	
INTERPRET GEOMETRIC TOLERANCING PER: ASME Y14.5M			
MATERIAL:			
FINISH:			
DO NOT SCALE			

**NORTHERN LIGHTS**  
4420 14th AVE. N.W.  
Seattle, WA 98107  
(206) 789-3880  
www.northern-lights.com

TITLE: **INSTALLATION DIMENSIONS**  
M150A13L KEEL COOLED

SIZE	PART NO.	DWG. NO.	REV
<b>D</b>		<b>D-5025</b>	-

SCALE: 1:10      WEIGHT: LBS.      SHEET 1 OF 1

REV D D-5025