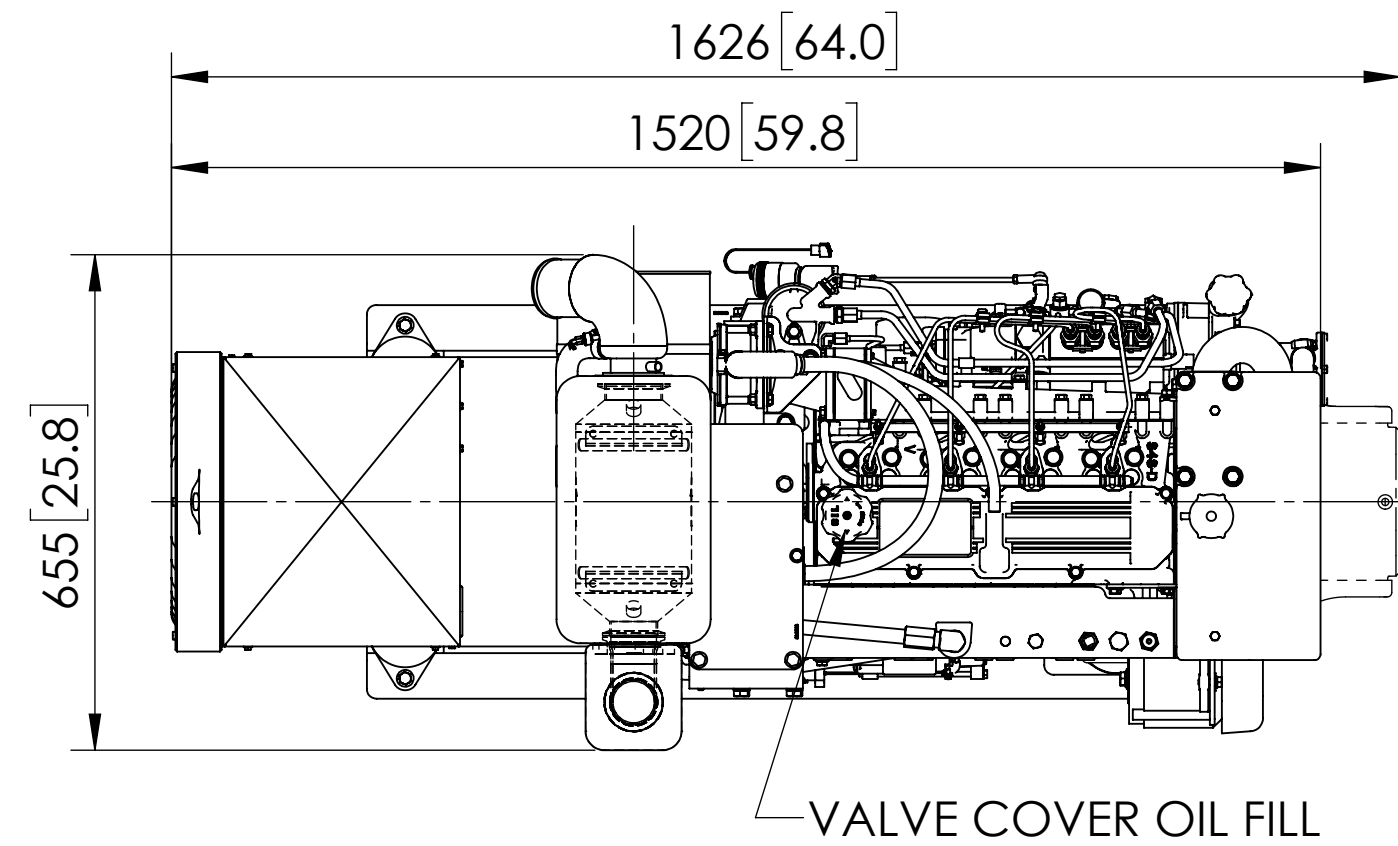
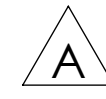
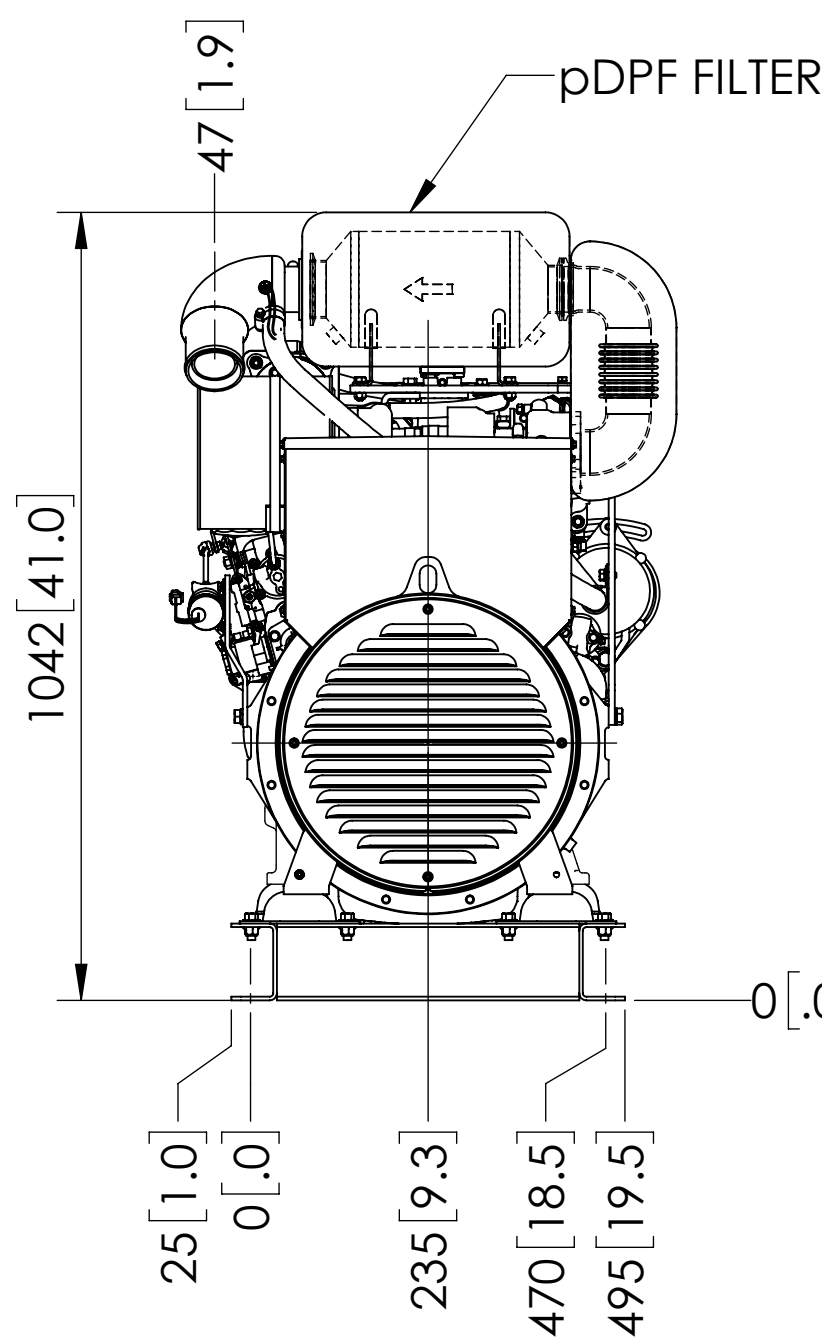
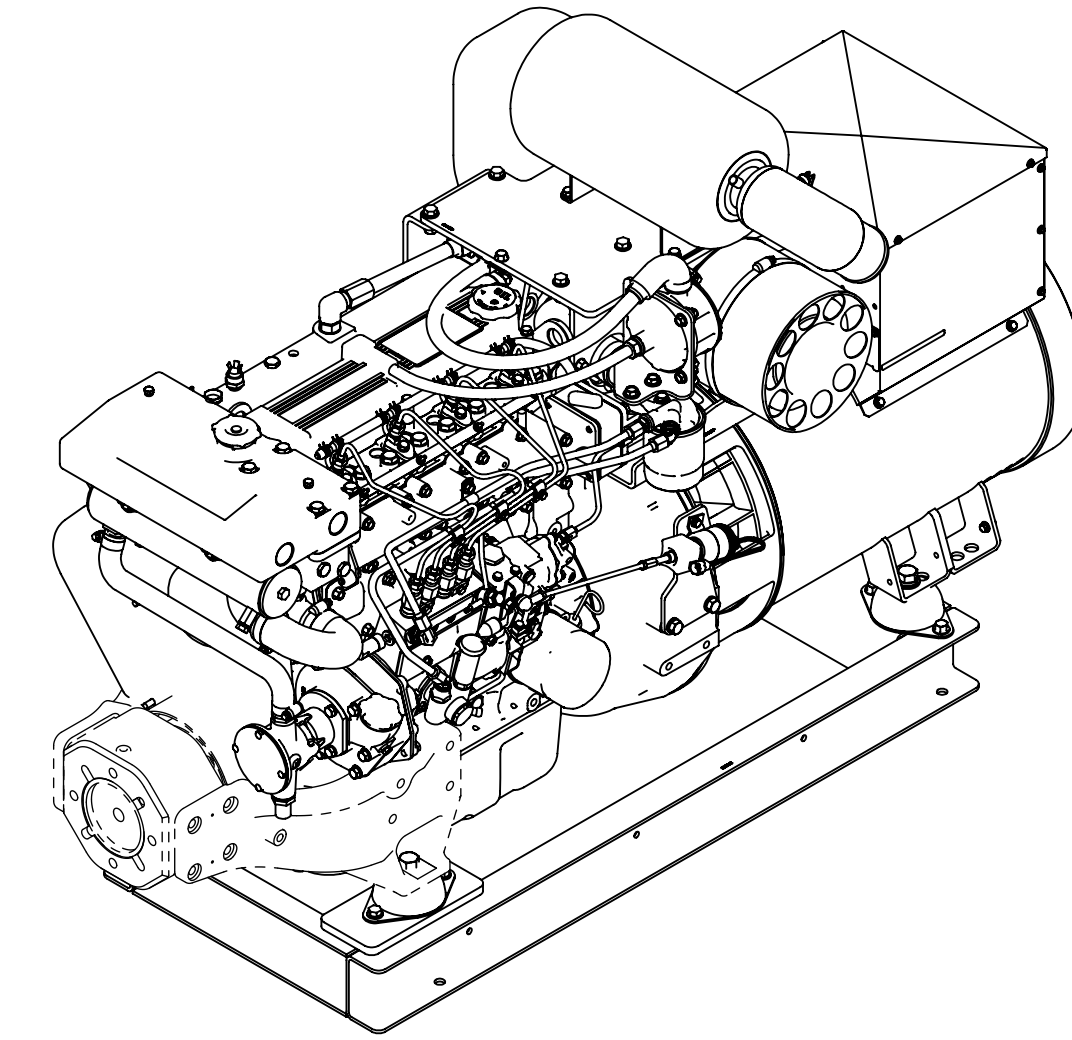


MODEL	RATING	FREQUENCY	PHASE
M40C3F.14	40kW	60 Hz	3
M40C3F.34	38kW		1

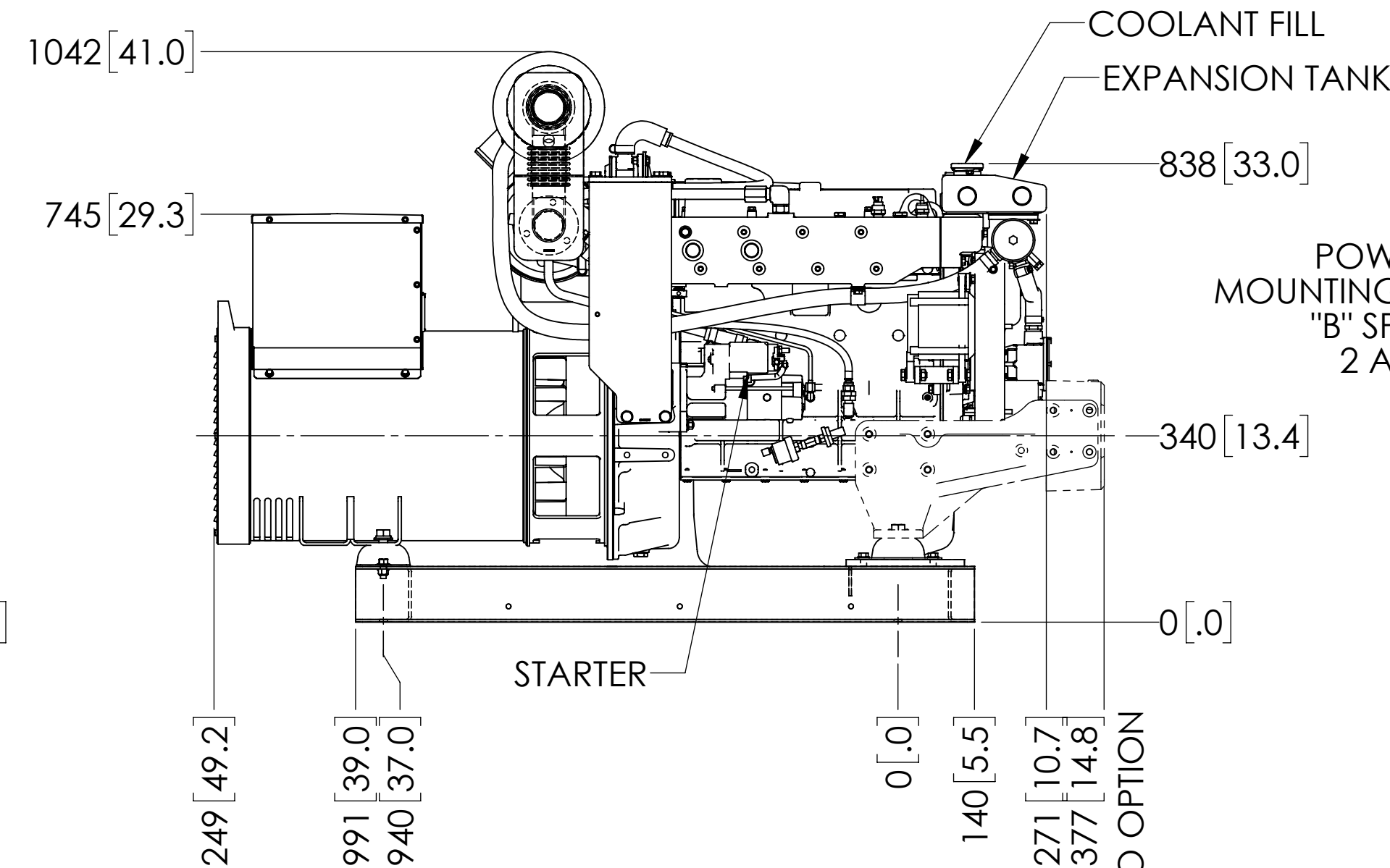


VALVE COVER OIL FILL

PLAN

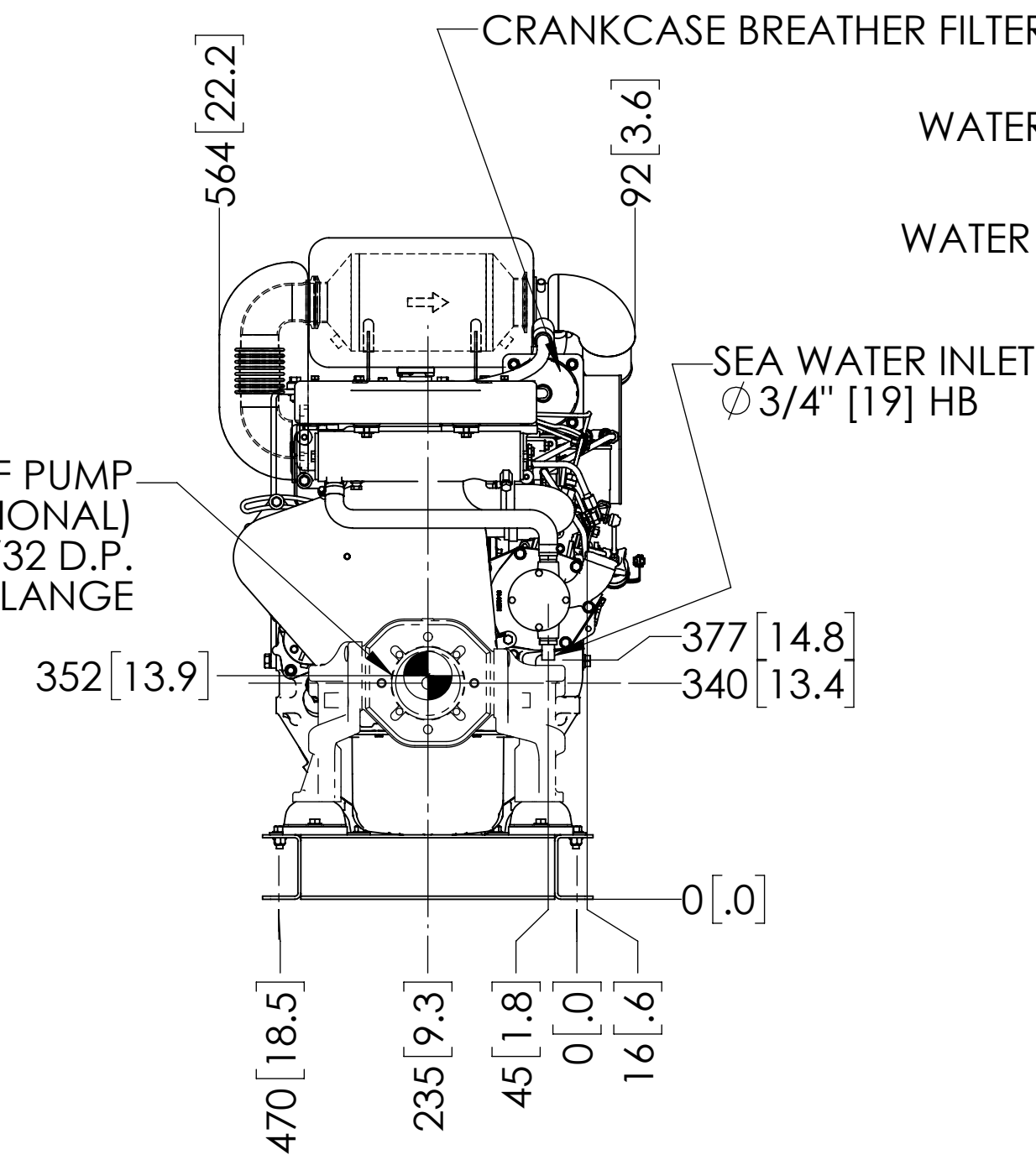


REAR

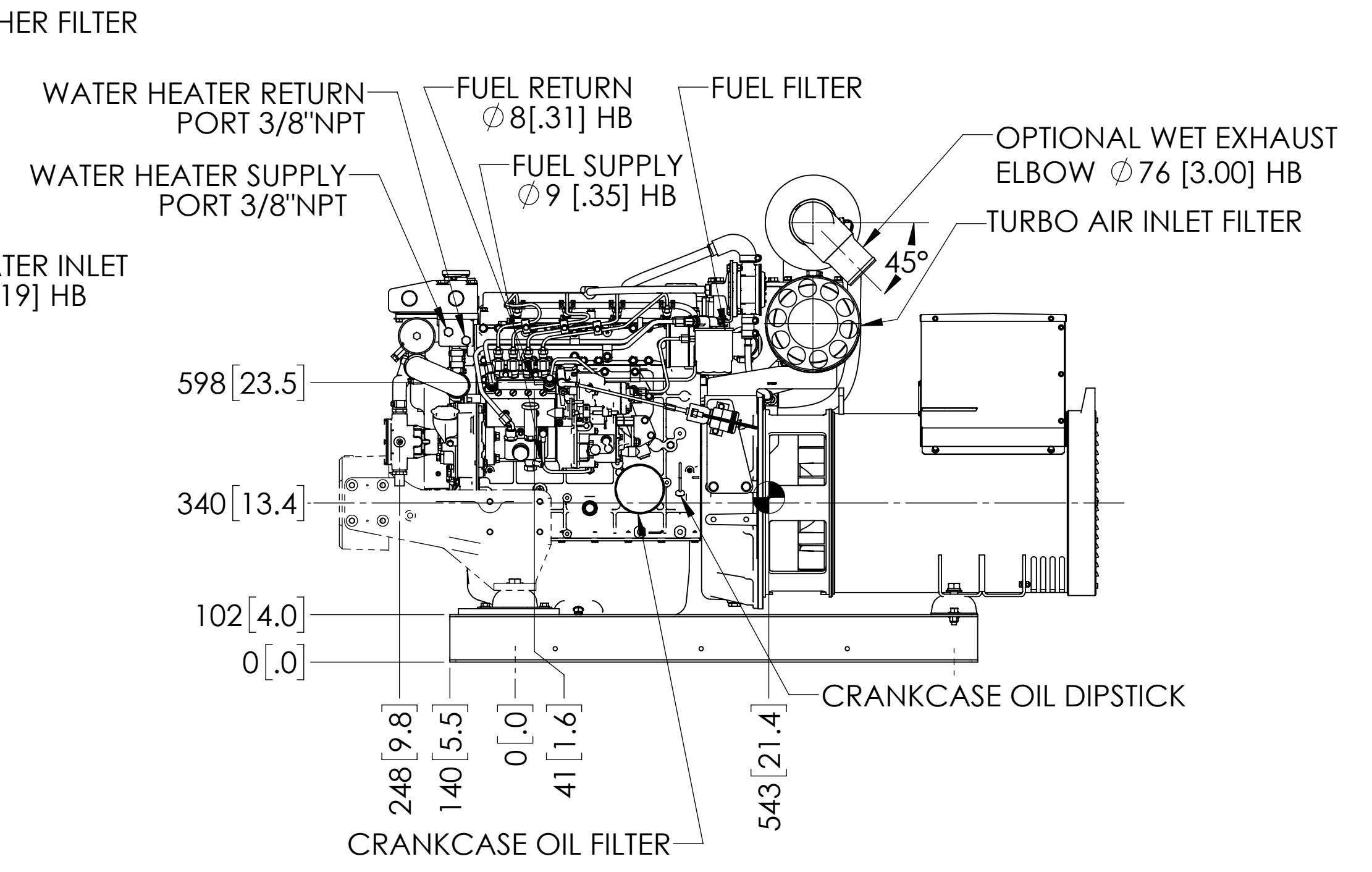


RIGHT SIDE

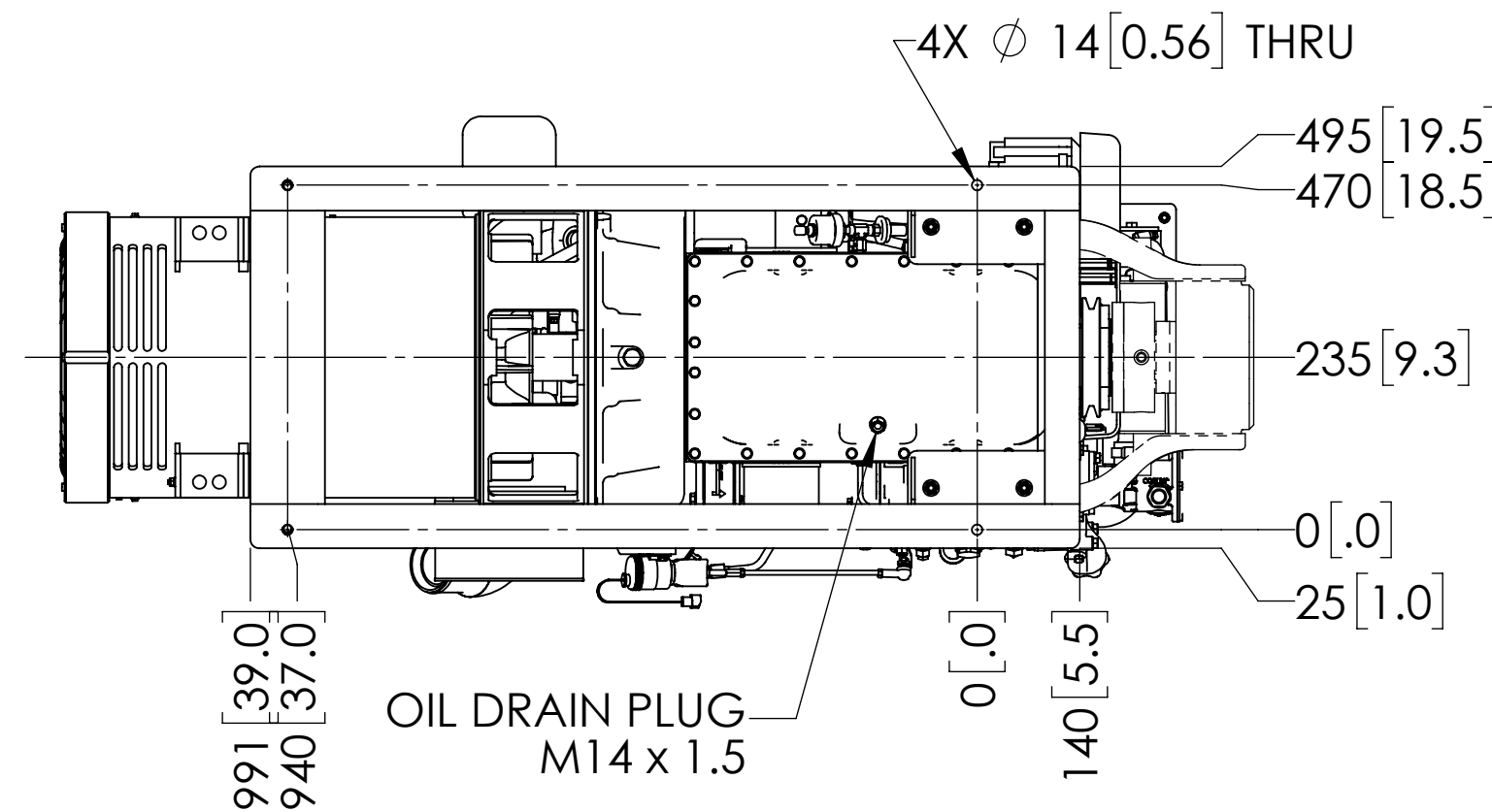
W/PTO OPTION



FRONT



LEFT SIDE (SERVICE SIDE)



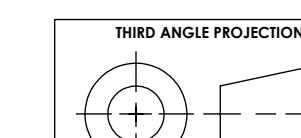
BOTTOM

OIL DRAIN PLUG  
M14 x 1.5

THE DIMENSIONS ON THIS DRAWING ARE SUBJECT TO CHANGE. PLEASE CONTACT NORTHERN LIGHTS INC. TO BE SURE YOU HAVE THE MOST CURRENT REVISION.

NOTES

- WEIGHTS: GENSET - 680 kg [1500 lbs]  
GENSET W/PTO - 712 kg [1580 lbs]
- WEIGHTS ARE WITH OIL, NO COOLANT.
- C.G. DOES NOT INCLUDE PTO ASSEMBLY.



PROPRIETARY AND CONFIDENTIAL  
THE INFORMATION CONTAINED IN THIS DRAWING IS THE SOLE PROPERTY OF NORTHERN LIGHTS. ANY REPRODUCTION IN PART OR AS A WHOLE WITHOUT THE WRITTEN PERMISSION OF NORTHERN LIGHTS IS PROHIBITED.

UNLESS OTHERWISE SPECIFIED:		NAME	DATE
DIMENSIONS ARE IN MILLIMETERS		DRG	08/08/17
TOLERANCES:		CHECKED	TAH
ANGULAR: MACH ± 0.5° BEND ± 1.0°		ENG APPR.	
NO DECIMAL PLACE ± 3		MFG APPR.	
ONE DECIMAL PLACE ± 1.5		G.A.	
INTERPRET GEOMETRIC TOLERANCING PER ASME Y14.5M		COMMENTS:	
MATERIAL:			
FINISH:			
DO NOT SCALE			



TITLE: INSTALLATION DIMENSIONS  
M40C3F H.E.

SIZE	PART NO.	DWG. NO.	REV
D		D-5034	A

A	MODEL NUMBERS NOW BASED ON VOLTAGE PHASE. ECN 5031.	9/27/2017	MG	TAH
REV.	DESCRIPTION	DATE	BY	CHECKED

REVISIONS

D-5034