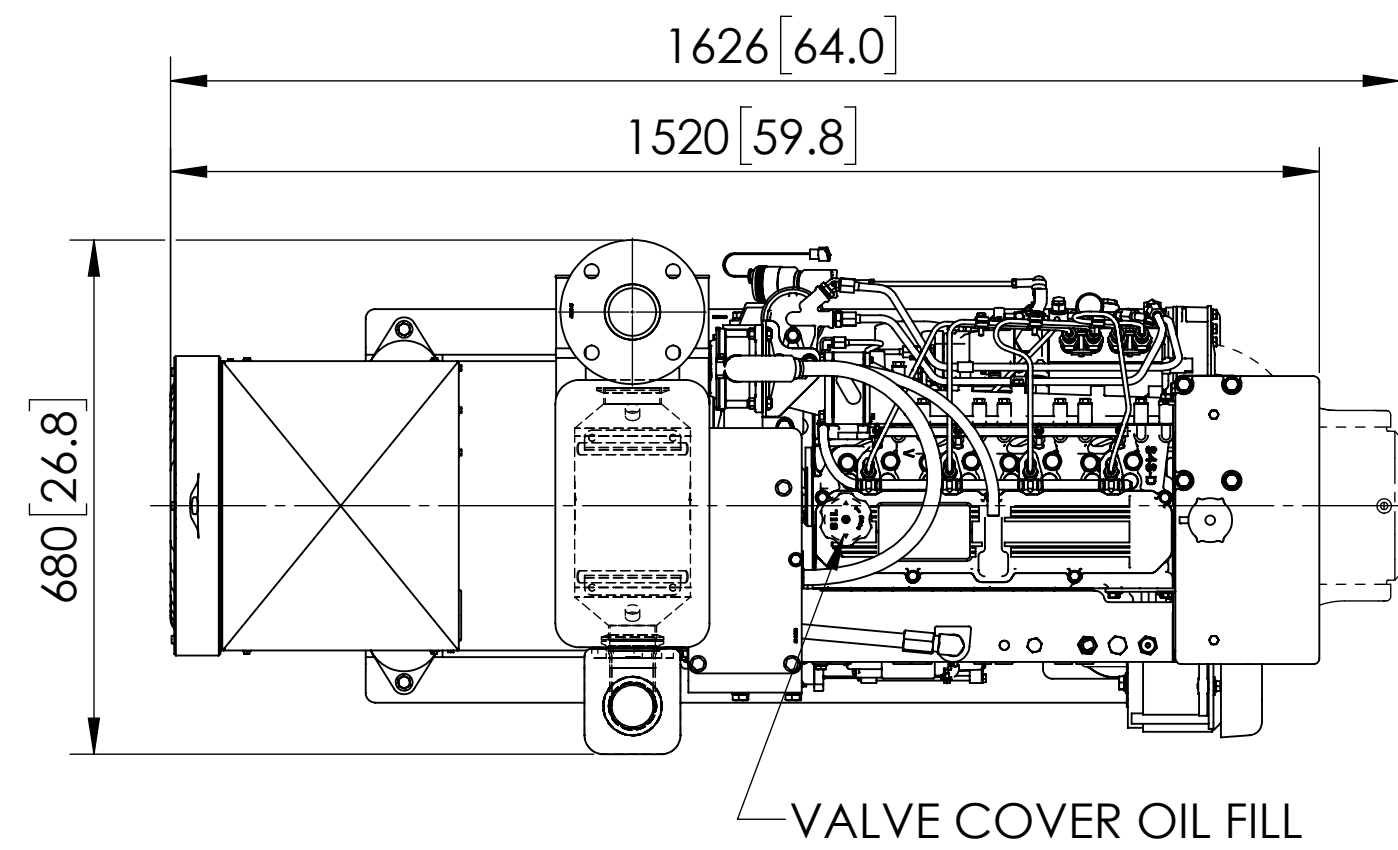
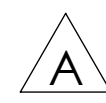
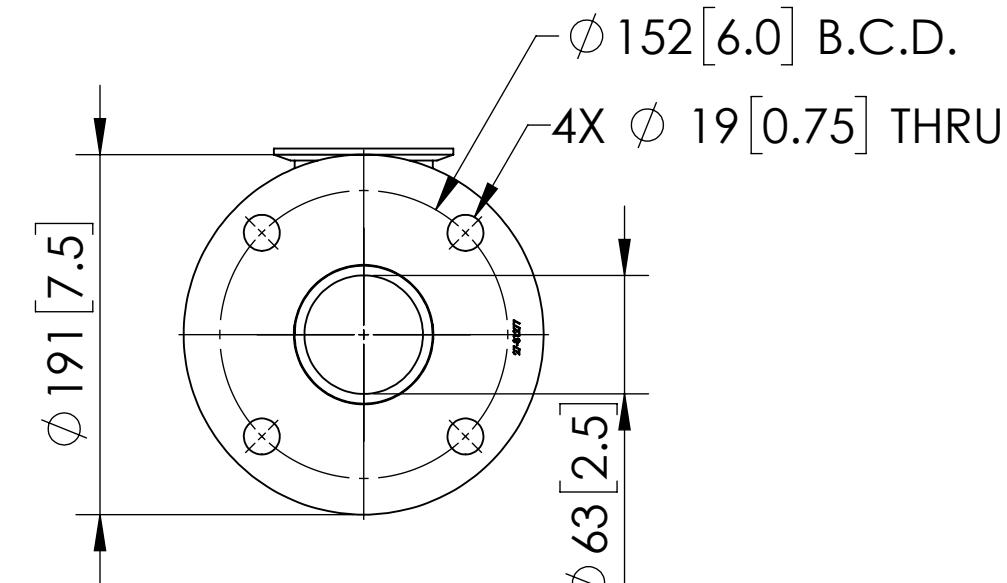


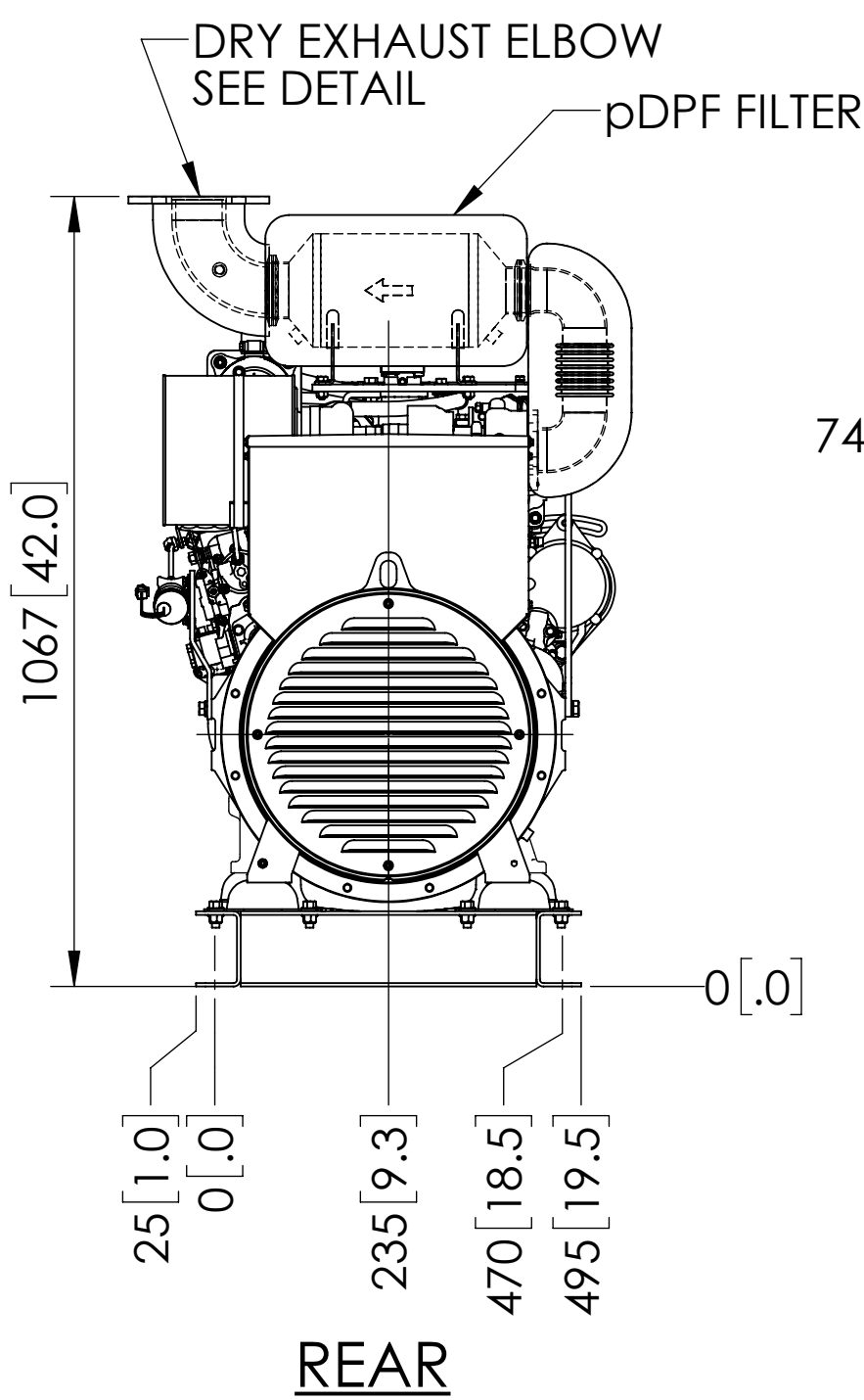
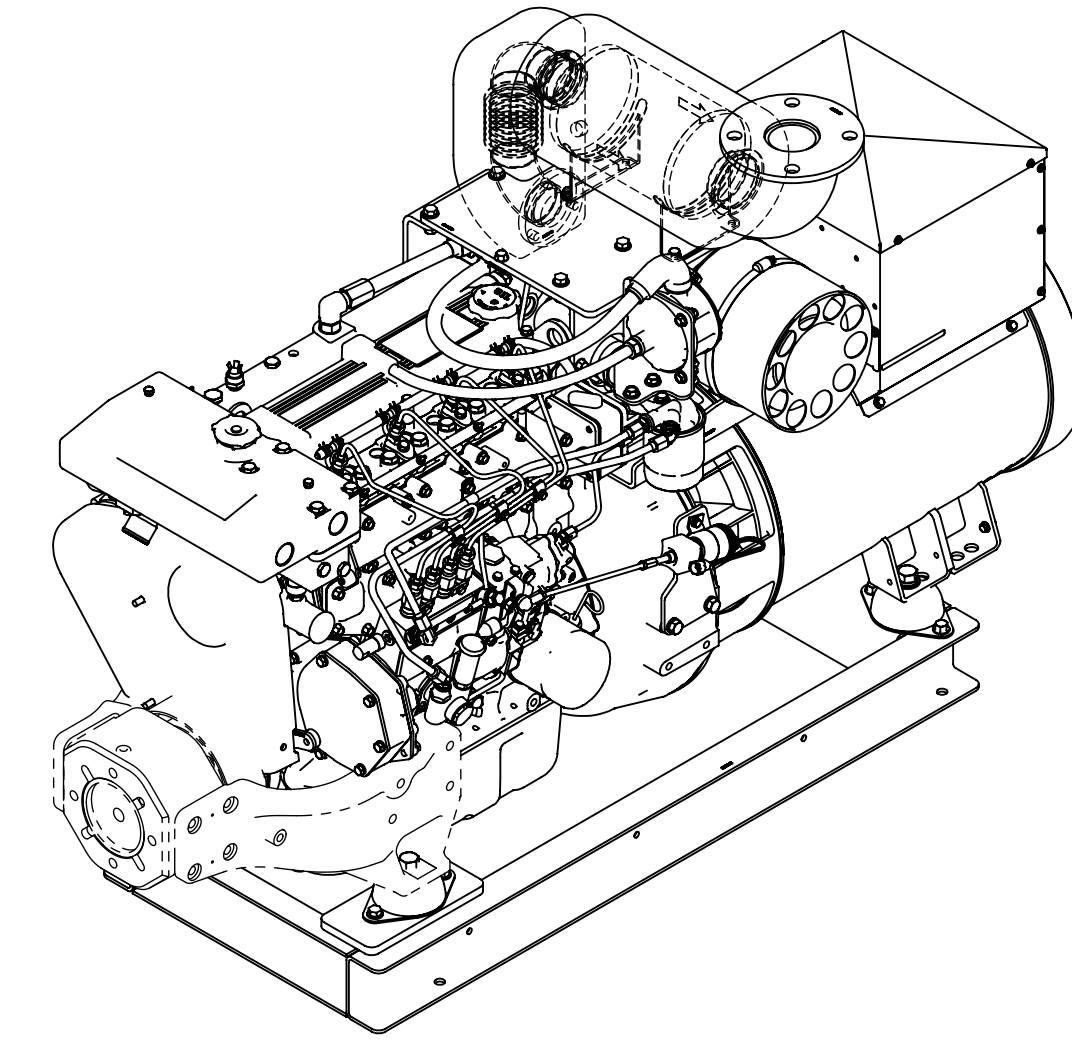
MODEL	RATING	FREQUENCY	PHASE
M40C3F.24	40kW	60 Hz	3
M40C3F.44	38kW		1



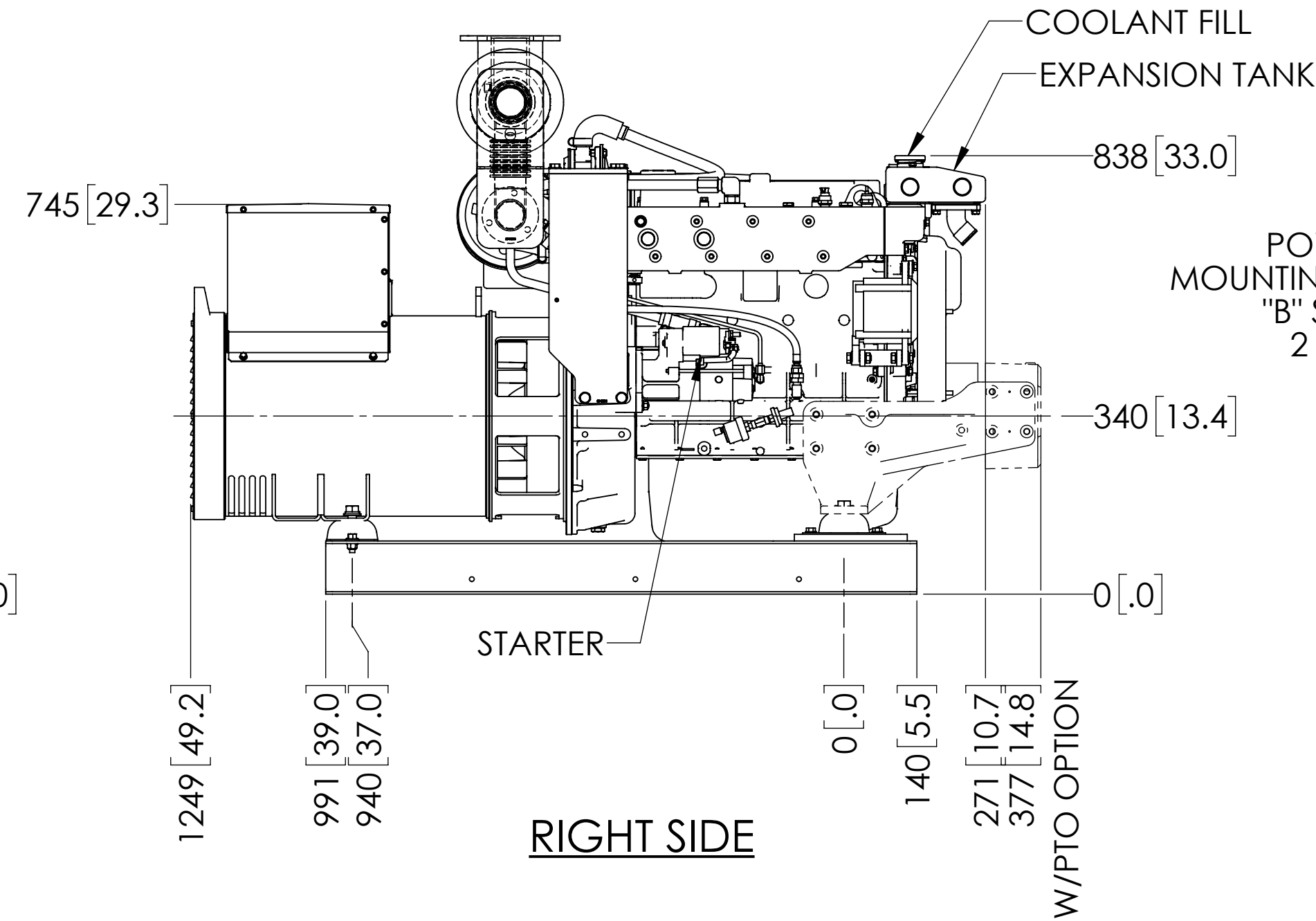
**PLAN**



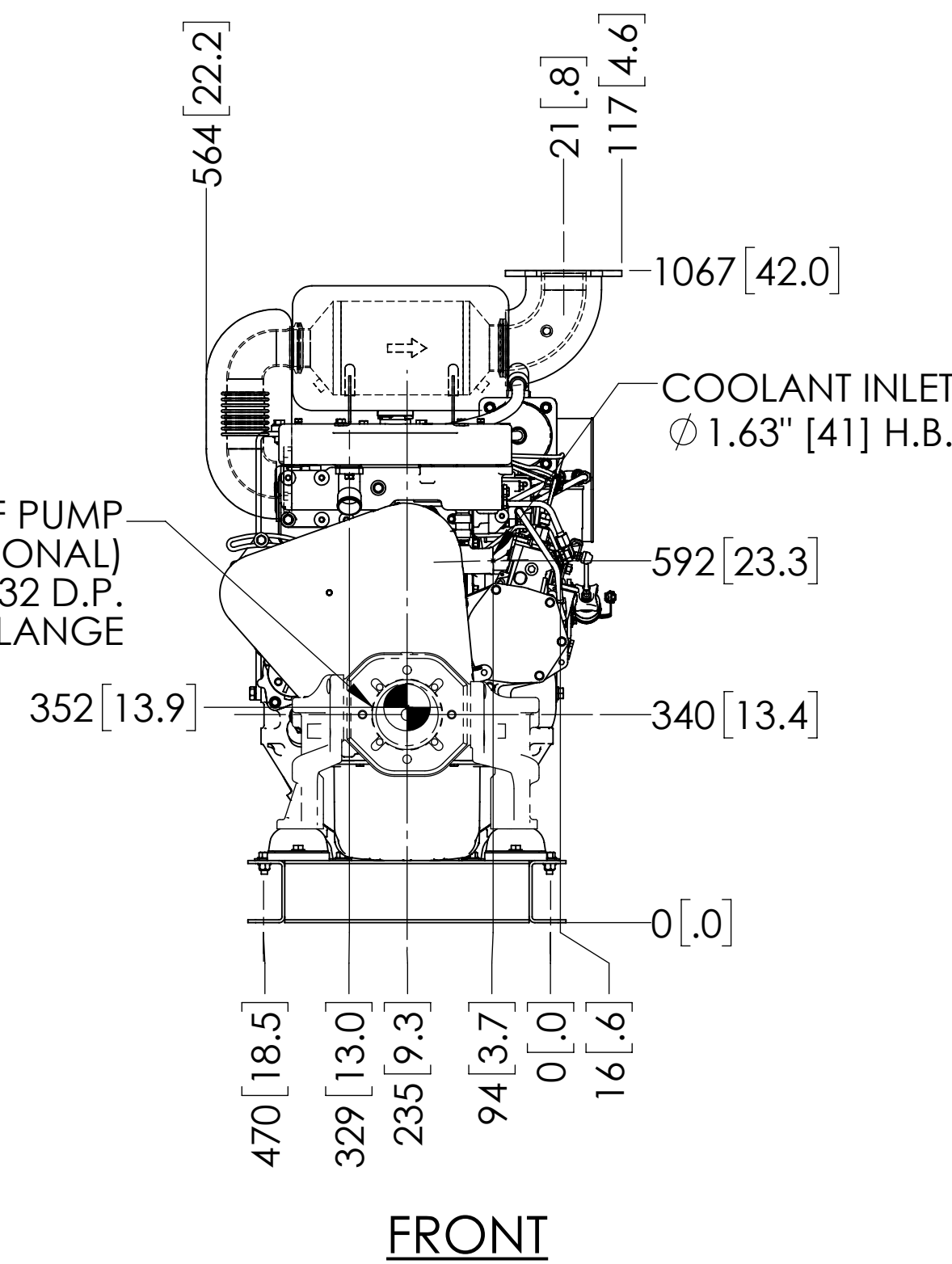
**DRY EXHAUST ELBOW DETAIL**  
SCALE 1:4



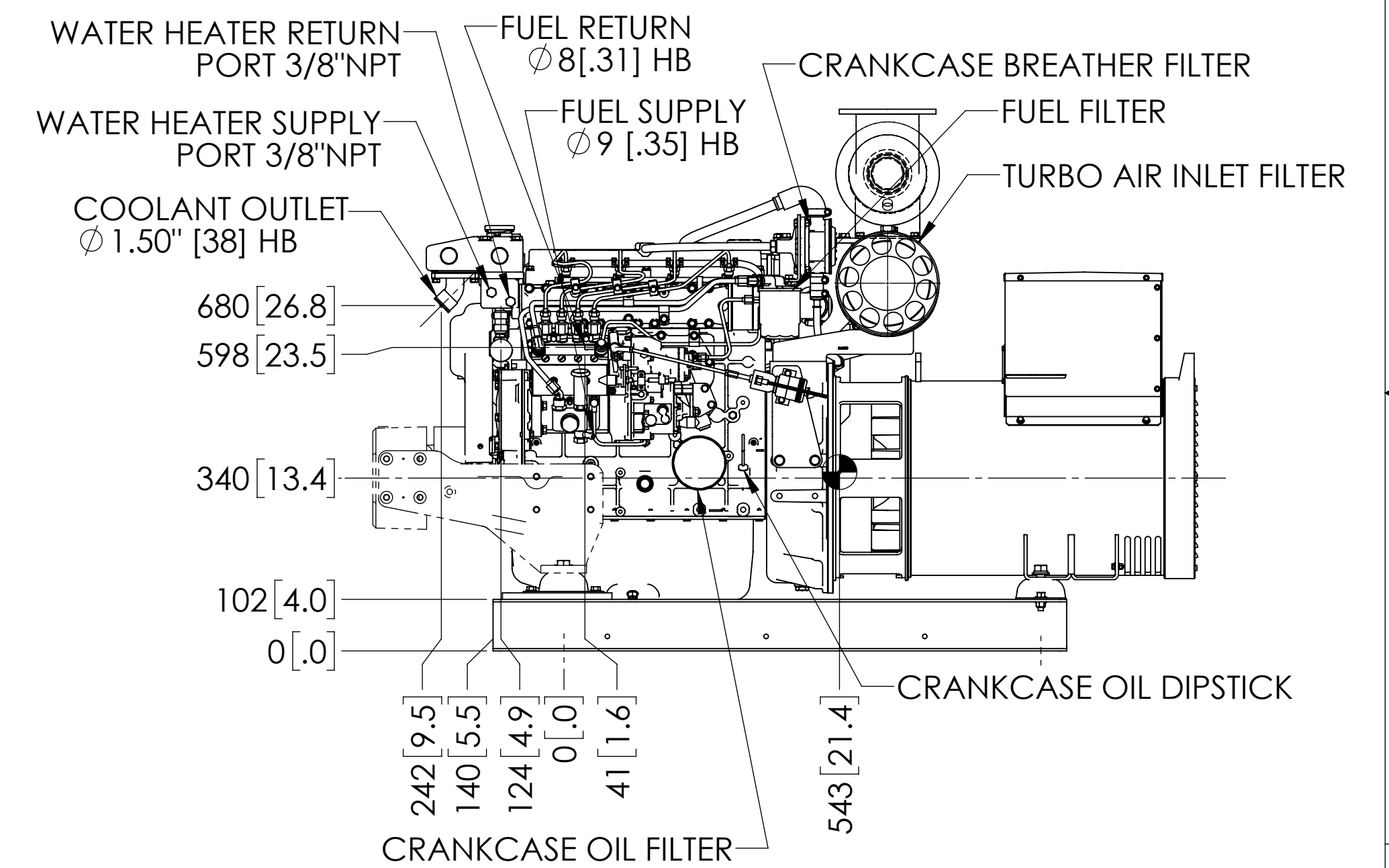
**REAR**



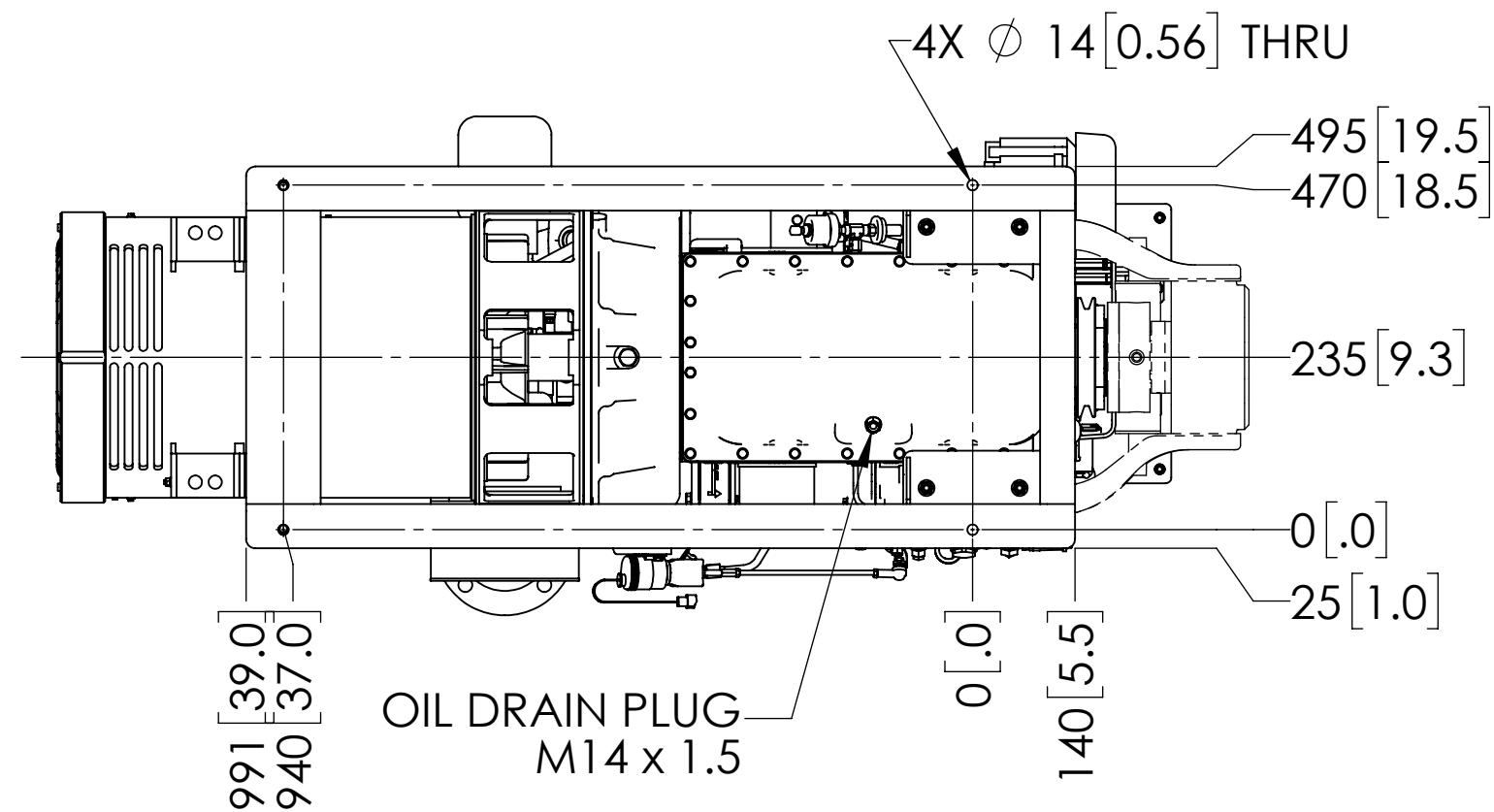
**RIGHT SIDE**



**FRONT**



**LEFT SIDE (SERVICE SIDE)**



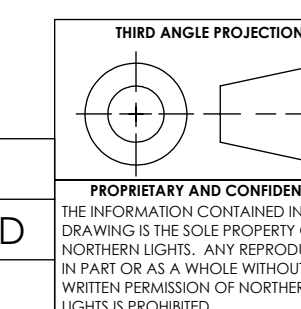
**BOTTOM**

**NOTES**

- WEIGHTS: GENSET - 680 kg [1500 lbs]  
GENSET W/PTO - 712 kg [1580 lbs]
- WEIGHTS ARE WITH OIL, NO COOLANT.
- C.G. DOES NOT INCLUDE PTO ASSEMBLY.

THE DIMENSIONS ON THIS DRAWING ARE SUBJECT TO CHANGE. PLEASE CONTACT NORTHERN LIGHTS INC. TO BE SURE YOU HAVE THE MOST CURRENT REVISION.

REV.	DESCRIPTION	DATE	BY	CHECKED
A	MODEL NUMBERS NOW BASED ON VOLTAGE PHASE. ECN 5032.	9/29/2017	MG	TAH



UNLESS OTHERWISE SPECIFIED:	NAME	DATE
DIMENSIONS ARE IN MILLIMETERS	MG	08/08/17
TOLERANCES:	CHECKED	LTP
ANGULAR: MACH ± 0.5° BEND ± 1.0°	ENG APPR.	
NO DECIMAL PLACE ± 3	MFG APPR.	
ONE DECIMAL PLACE ± 1.5	G.A.	
INTERPRET GEOMETRIC TOLERANCING PER ASME Y14.5M	COMMENTS:	
MATERIAL:		
FINISH:		
DO NOT SCALE		

**NORTHERN LIGHTS**  
4420 14th AVE. N.W.  
Seattle, WA 98107  
(206) 789-3880  
www.northern-lights.com

TITLE: **INSTALLATION DIMENSIONS M40C3F K.C.**

SIZE: **D** PART NO. DWG. NO. **D-5036** REV **A**

SCALE: 1:10 WEIGHT: SHEET 1 OF 1

D-5036