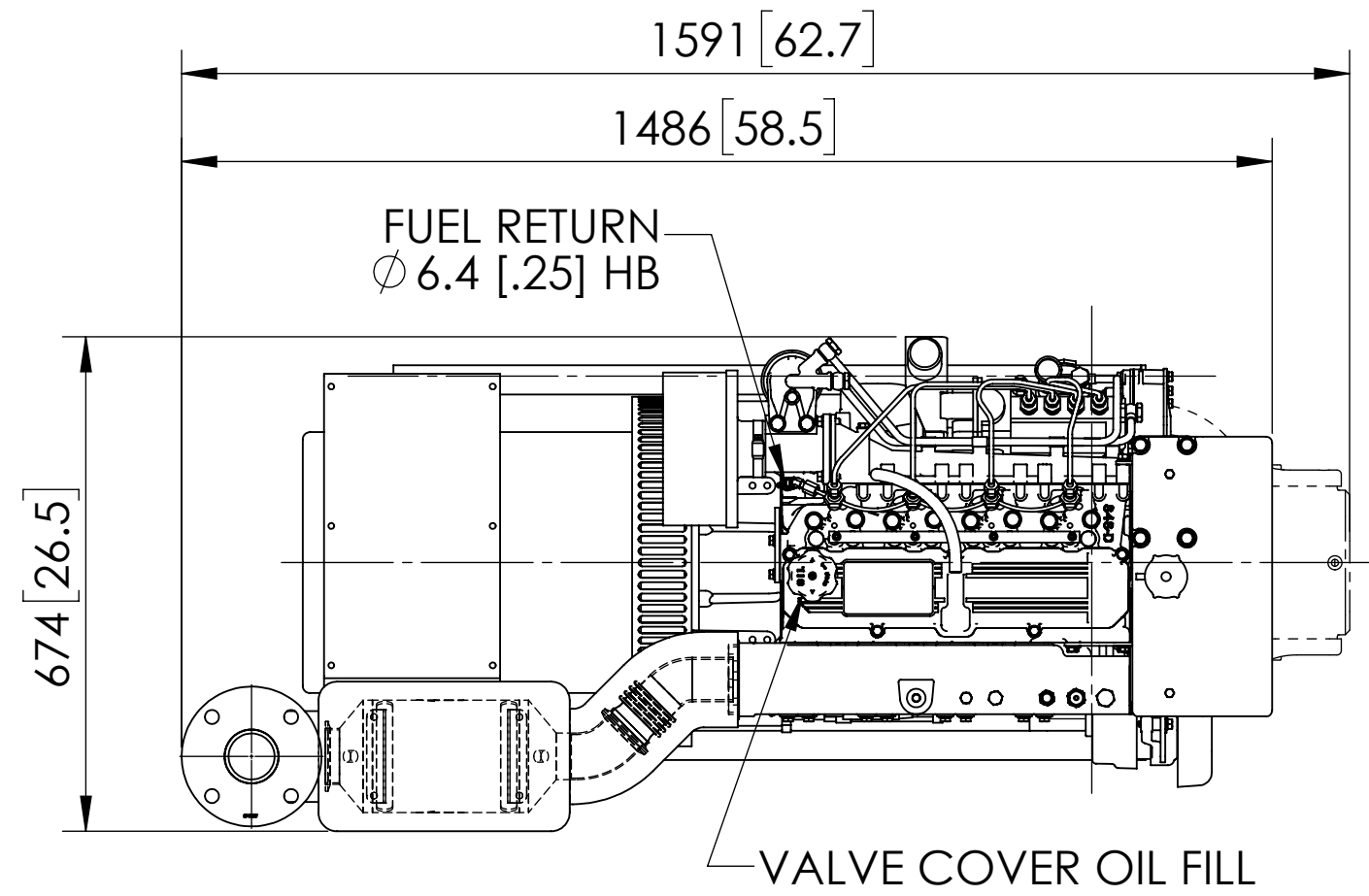
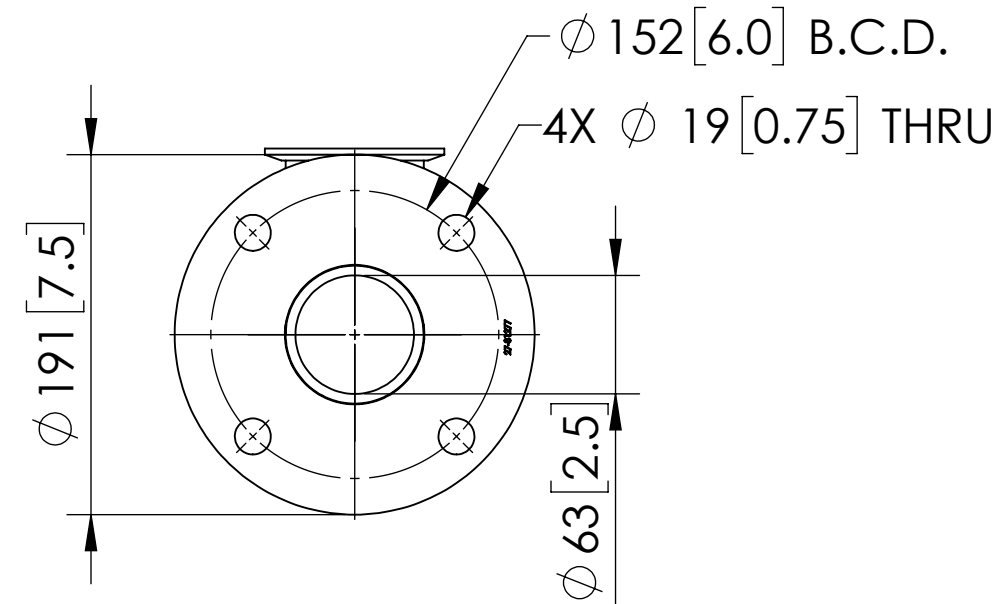


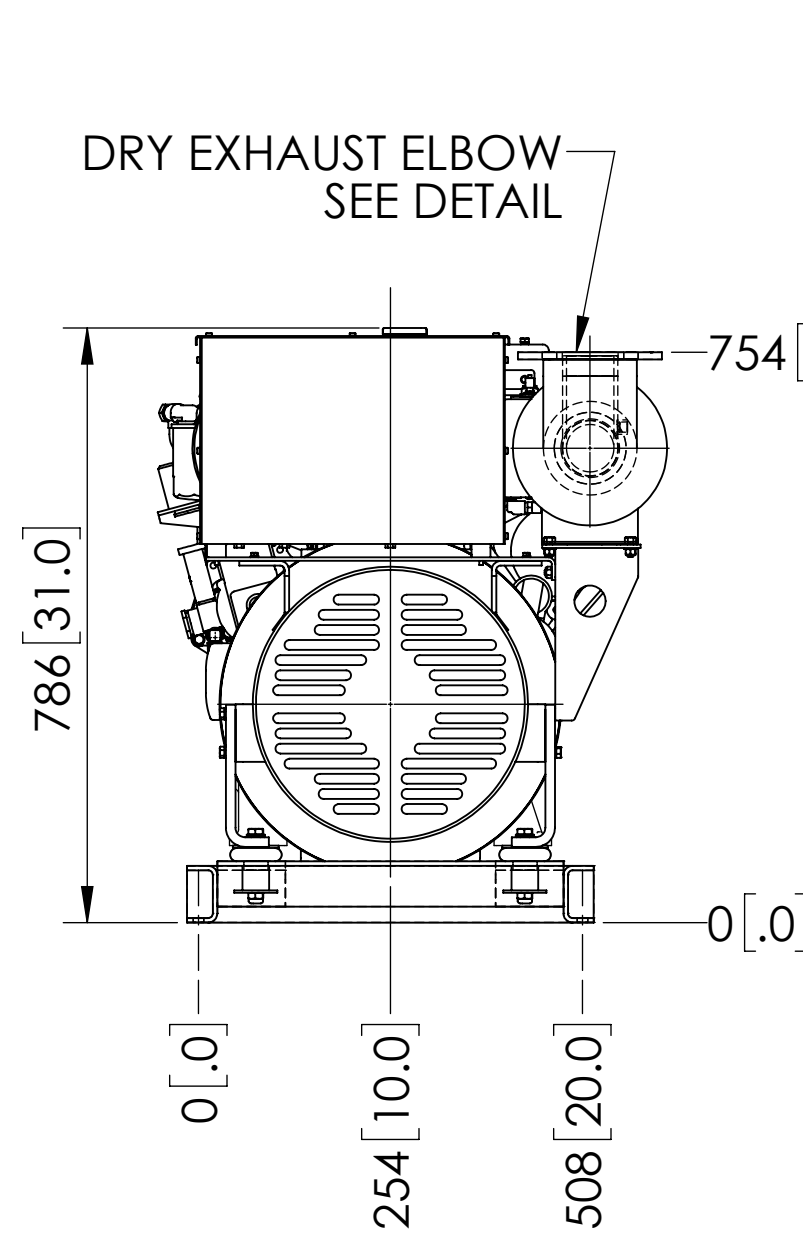
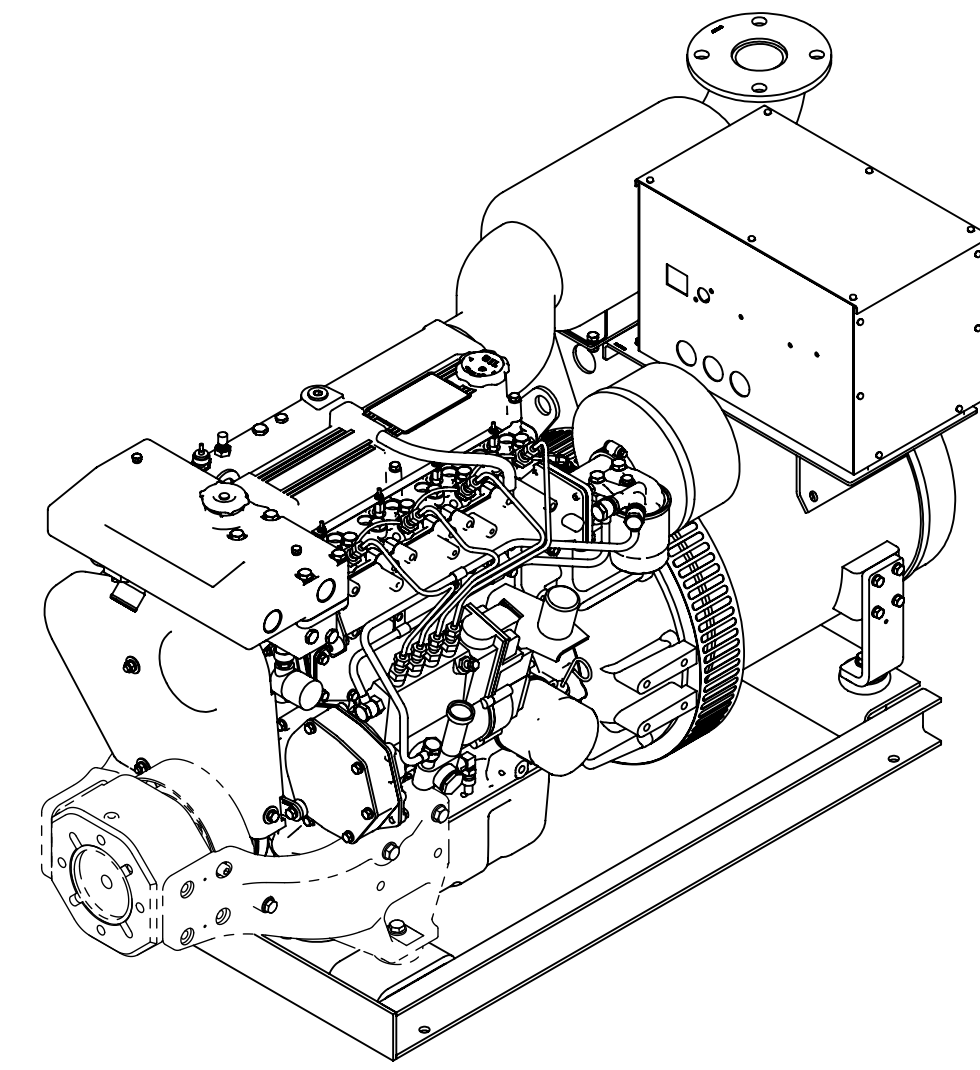
MODELS	RATING	FREQUENCY	PHASE
M30C3F.2	30kW	60 Hz	3
M30C3F.4	30kW		1



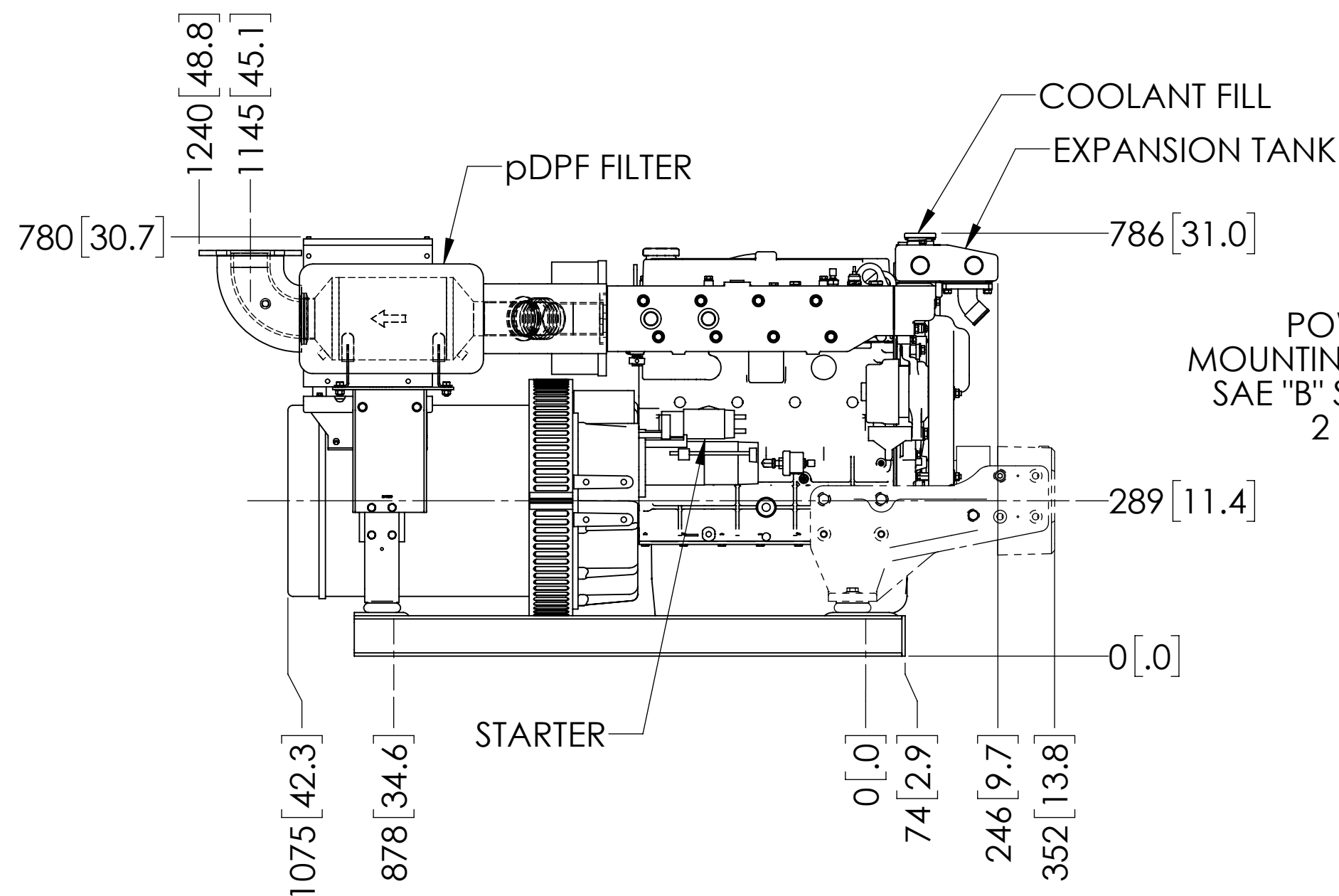
PLAN



DRY EXHAUST
ELBOW DETAIL
SCALE 1:4

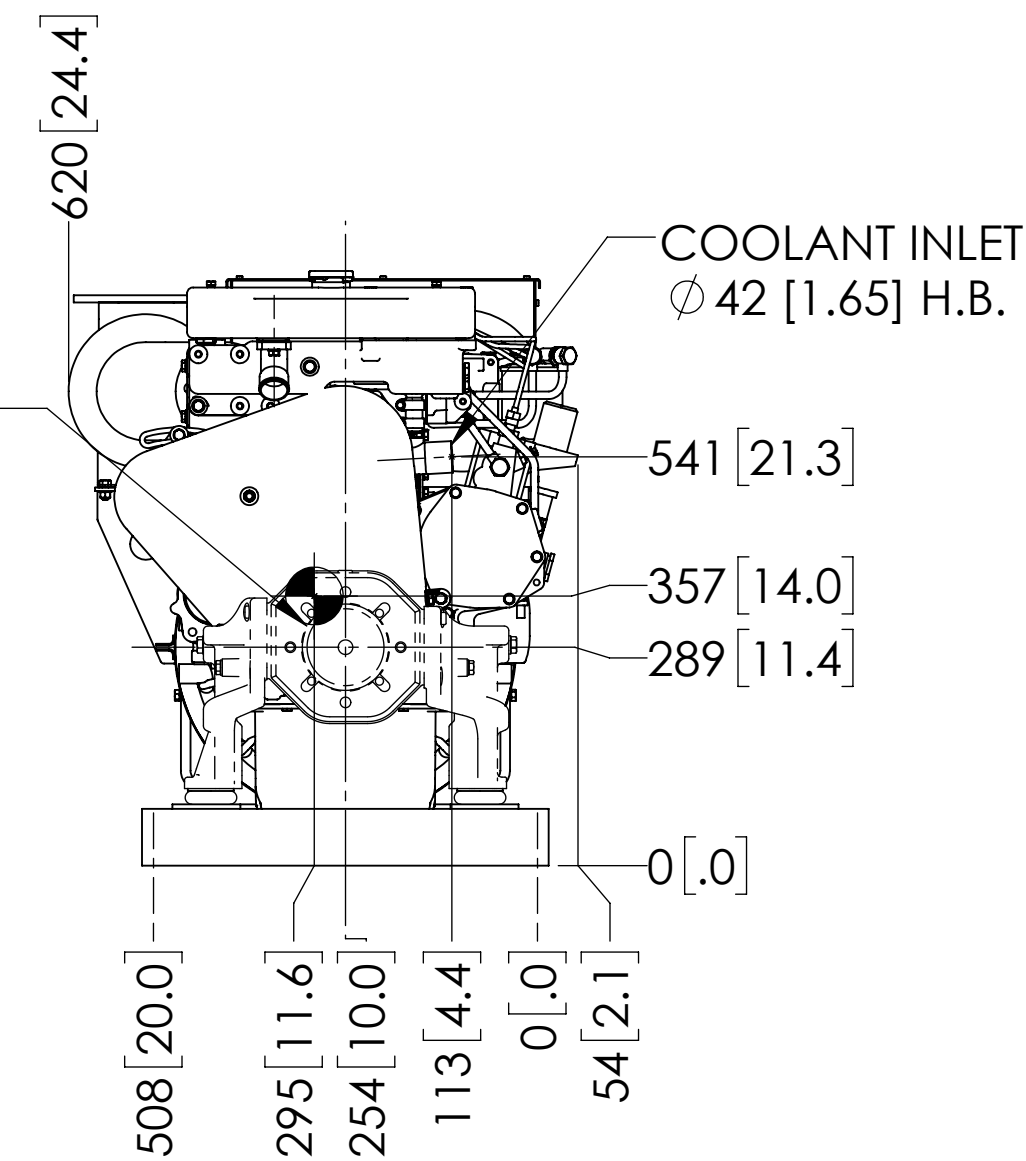


REAR

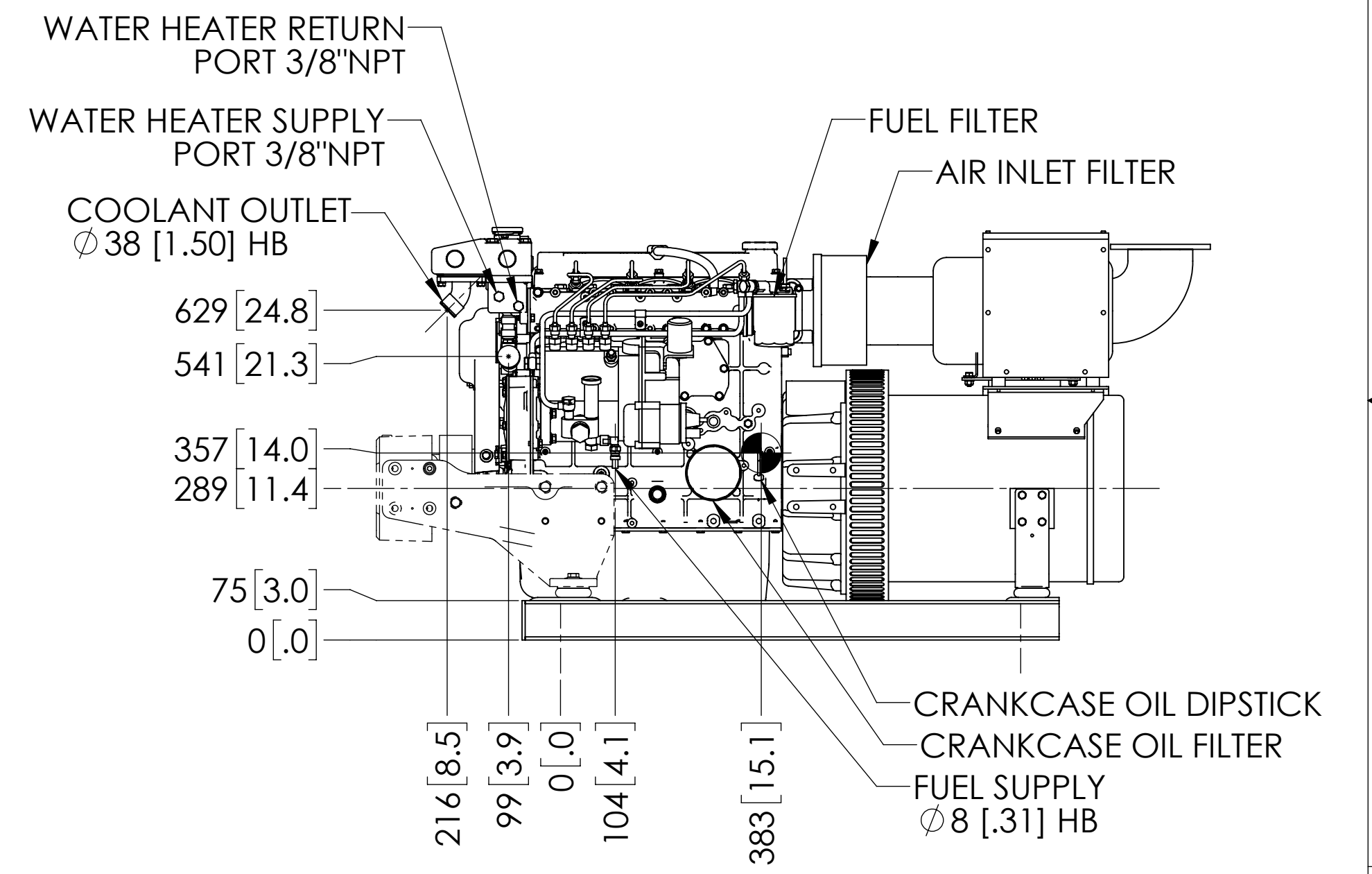


RIGHT SIDE

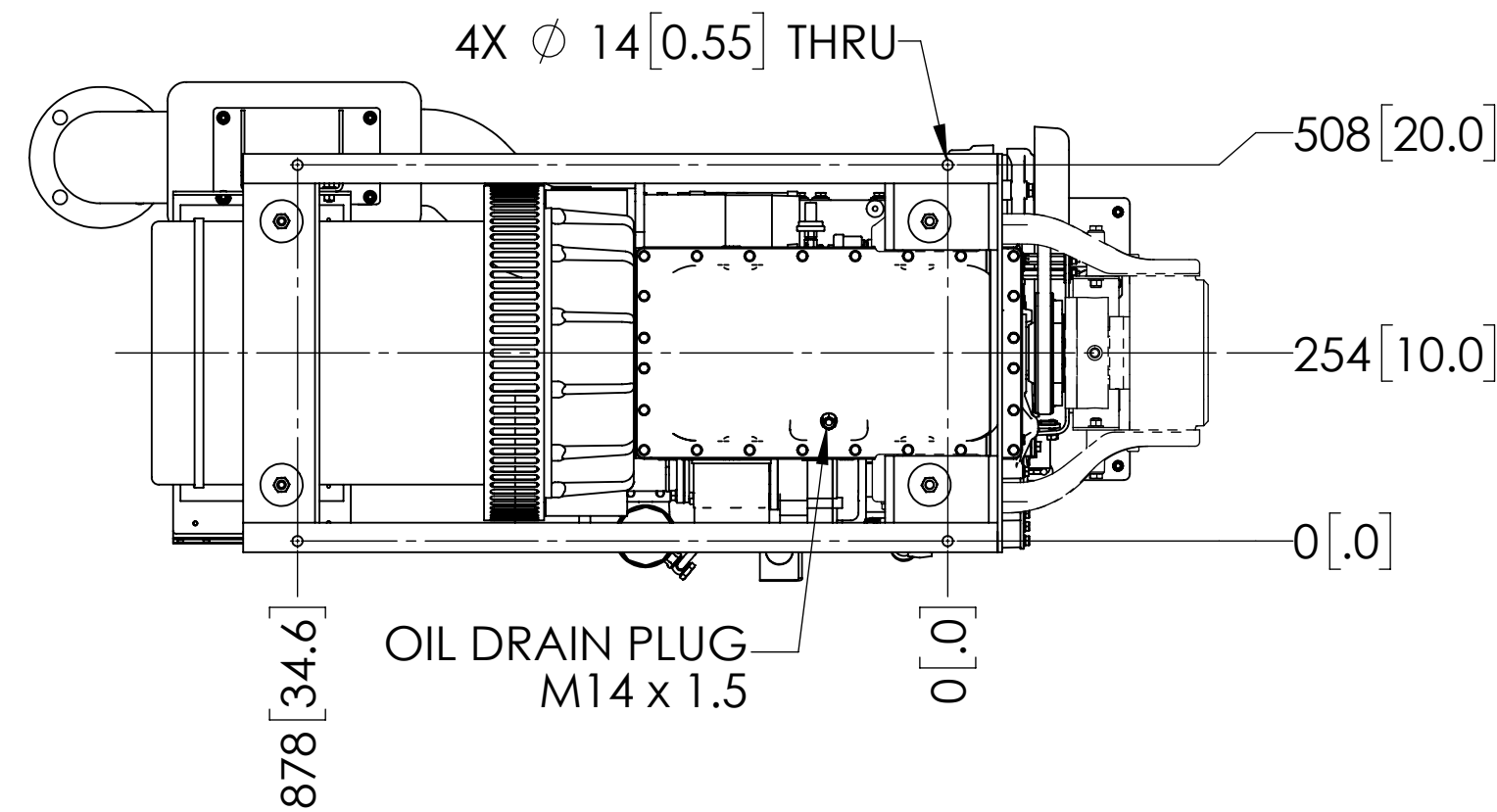
POWER TAKE-OFF PUMP
MOUNTING FACE (OPTIONAL)
SAE "B" SPLINE 13T 16/32 D.P.
2 AND 4 BOLT FLANGE



FRONT



LEFT SIDE (SERVICE SIDE)

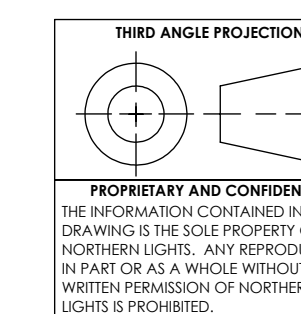


BOTTOM

NOTES

- WEIGHTS: GENSET - 585 kg [1290 lbs]
GENSET W/PTO - 617 kg [1360 lbs]
- WEIGHTS ARE WITH OIL, NO COOLANT.
- C.G. DOES NOT INCLUDE PTO ASSEMBLY.

THE DIMENSIONS ON THIS DRAWING ARE SUBJECT TO CHANGE.
PLEASE CONTACT NORTHERN LIGHTS INC. TO BE SURE YOU
HAVE THE MOST CURRENT REVISION.



UNLESS OTHERWISE SPECIFIED: DIMENSIONS ARE IN MILLIMETERS TOLERANCES: ANGULAR: MACH ± 0.5° NO DECIMAL PLACE ± 1.0° ONE DECIMAL PLACE ± 1.5° INTERPRET GEOMETRIC TOLERANCING PER ASME Y14.5M MATERIAL: FINISH: DO NOT SCALE	NAME: IMG DATE: 09/07/17 CHECKED: TAH ENG APPR: MEG APPR: G.A. COMMENTS:
---	--

NORTHERN LIGHTS		4420 14th AVE. N.W. Seattle, WA 98107 (206) 789-3880 www.northern-lights.com	
TITLE: INSTALLATION DIMENSIONS M30C3F			
SIZE: D	PART NO.:	DWG. NO.: D-5042	REV: -
SCALE: 1:10	WEIGHT:	SHEET 1 OF 1	

REV
D
D-5042