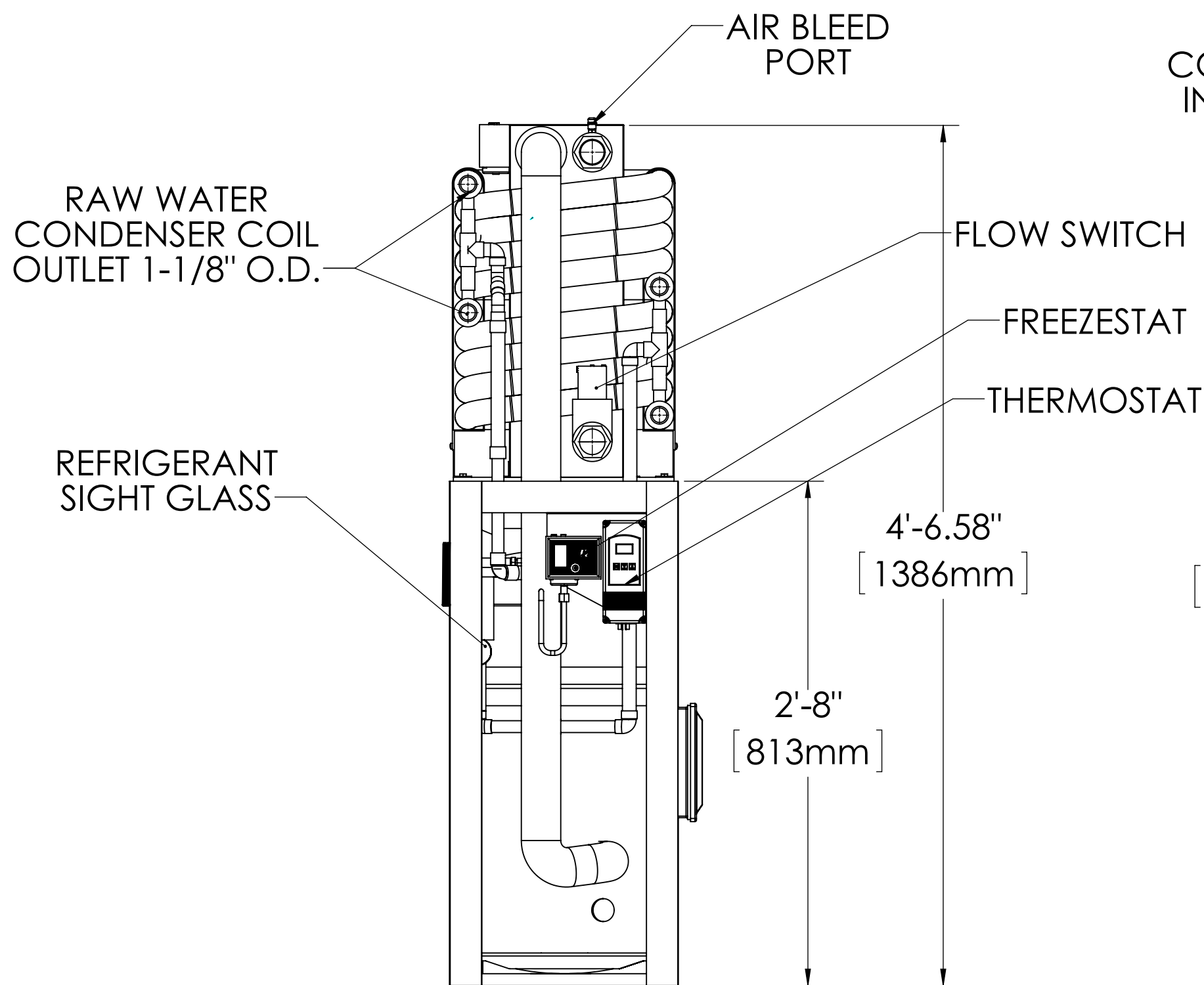
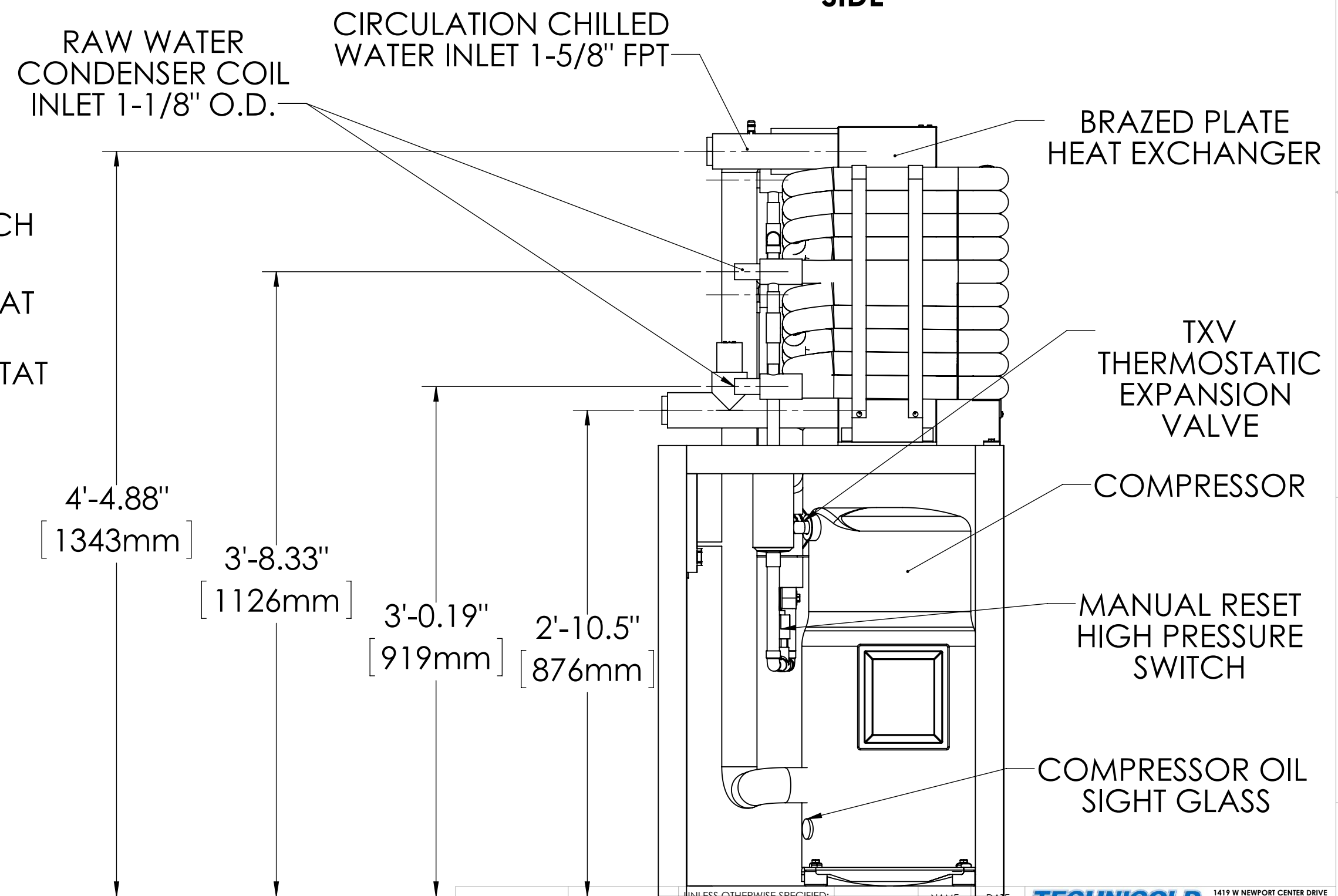


FRONT



SIDE



WEIGHT: 309 LBS. [140.2 KG.]

PROPRIETARY AND CONFIDENTIAL
THE INFORMATION CONTAINED IN THIS DRAWING IS THE SOLE PROPERTY OF TECHNICALD. ANY REPRODUCTION IN PART OR AS A WHOLE WITHOUT THE WRITTEN PERMISSION OF TECHNICALD IS PROHIBITED.

UNLESS OTHERWISE SPECIFIED:		NAME	DATE
DIMENSIONS ARE IN INCHES		MCE	10/01/2013
TOLERANCES:		CHECKED	
FRACTIONAL ±		ENG APPR.	
ANGULAR: MACH ±		MFG APPR.	
TWO PLACE DECIMAL ±		Q.A.	
THREE PLACE DECIMAL ±		COMMENTS:	
INTERPRET GEOMETRIC TOLERANCING PER:	FINISH		
MATERIAL			
NEXT ASSY	USED ON		
APPLICATION	DO NOT SCALE DRAWING		

TECHNICOLD
by NORTHERN LIGHTS

1419 W NEWPORT CENTER DRIVE
DEERFIELD BEACH, FL 33442
1-800-943-6140
TEL: (954)-421-1717
FAX: (954)-421-1712

TITLE:
**CW180 (15 TON)
180,000 BTU CHILLER**

SIZE DWG. NO. REV
C M90210

SCALE: 1:12 SHEET 1 OF 1