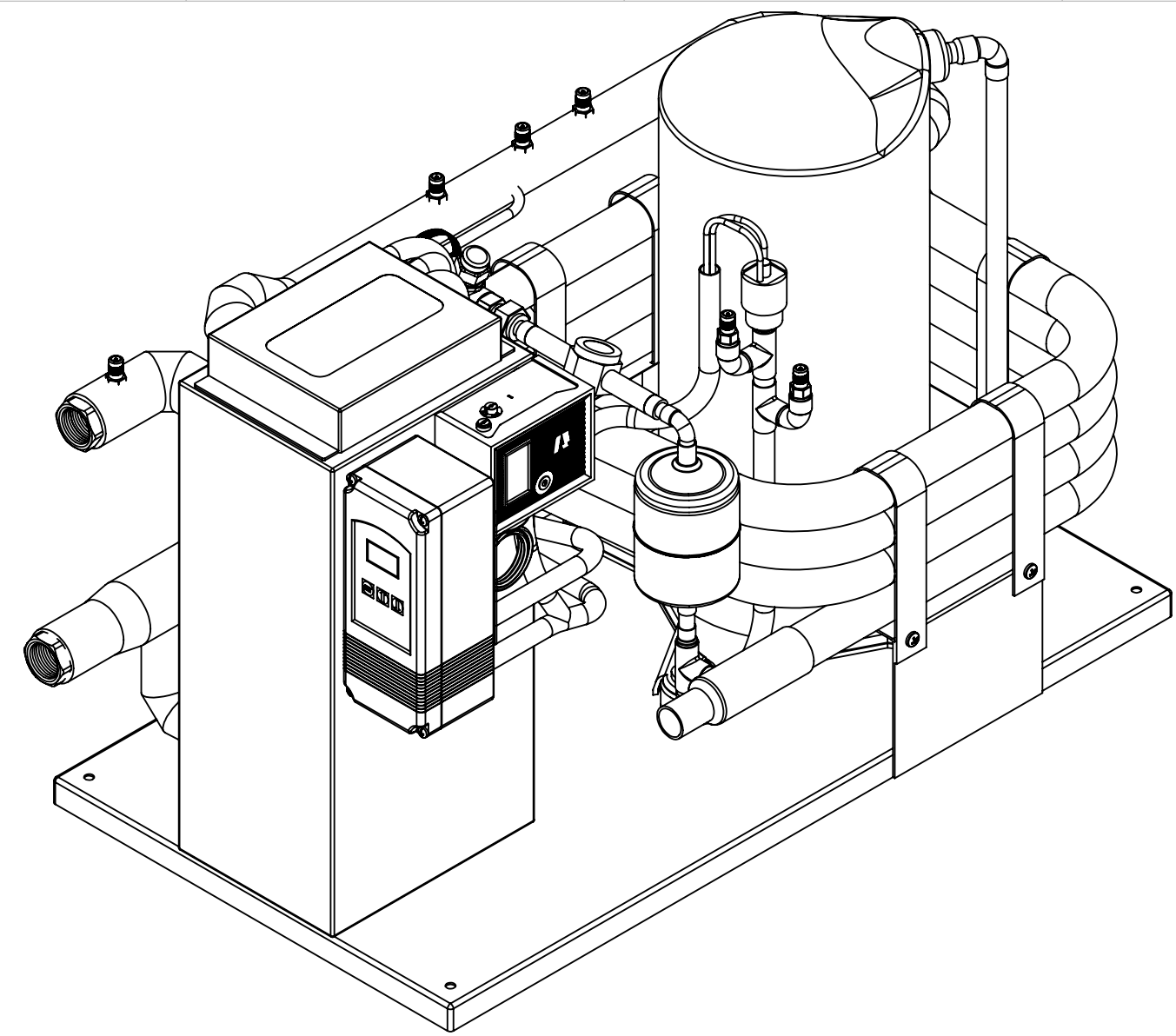
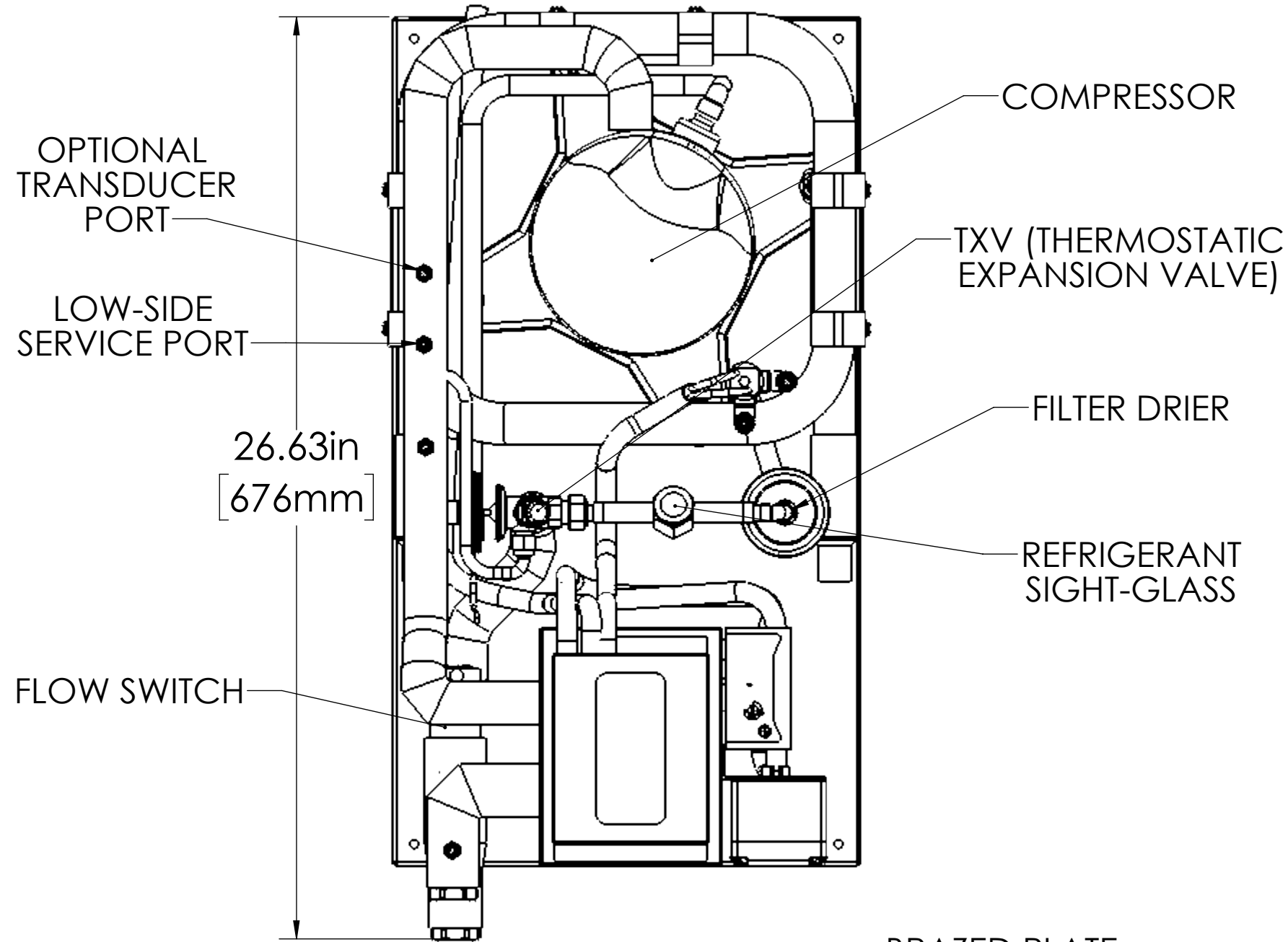
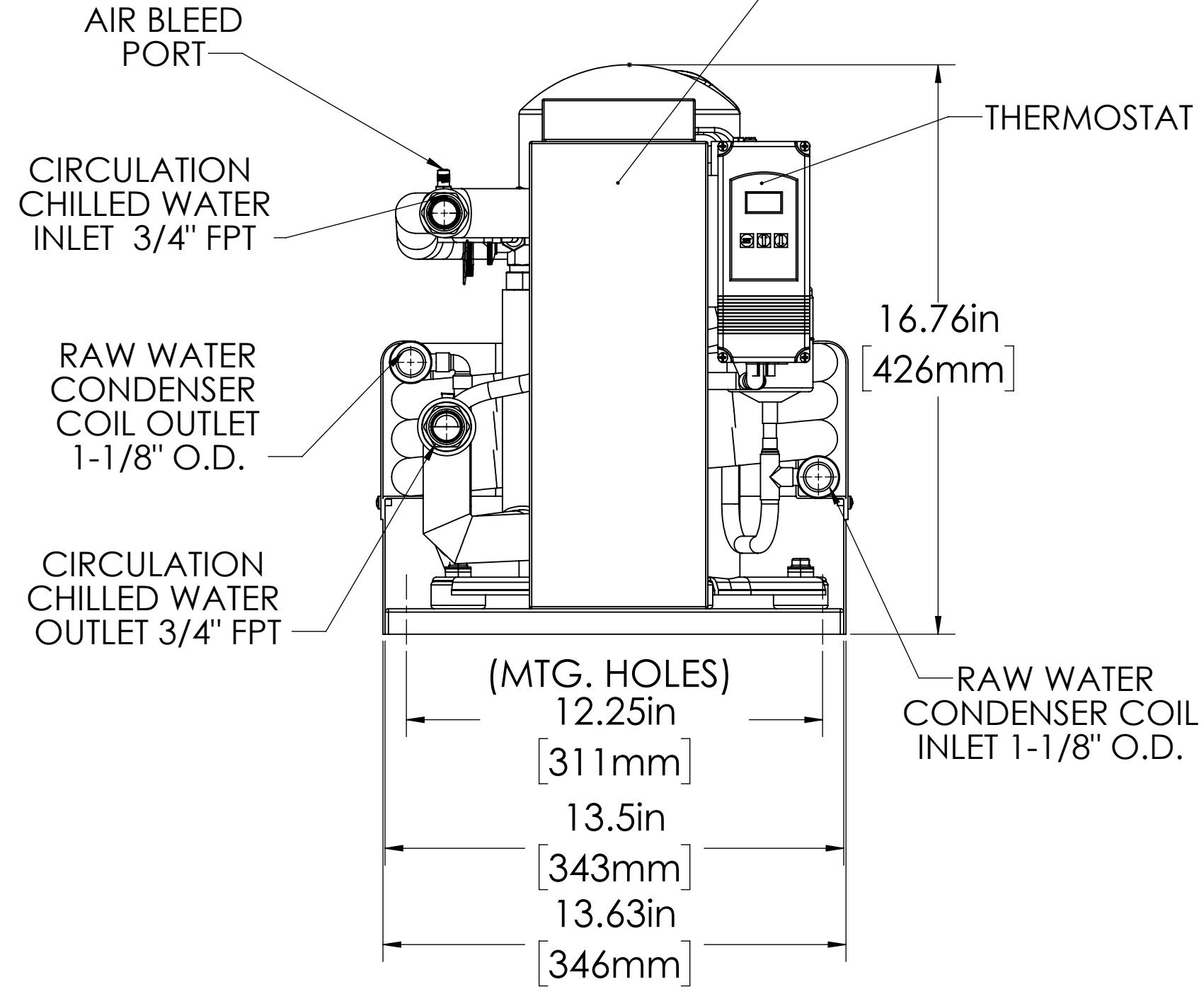


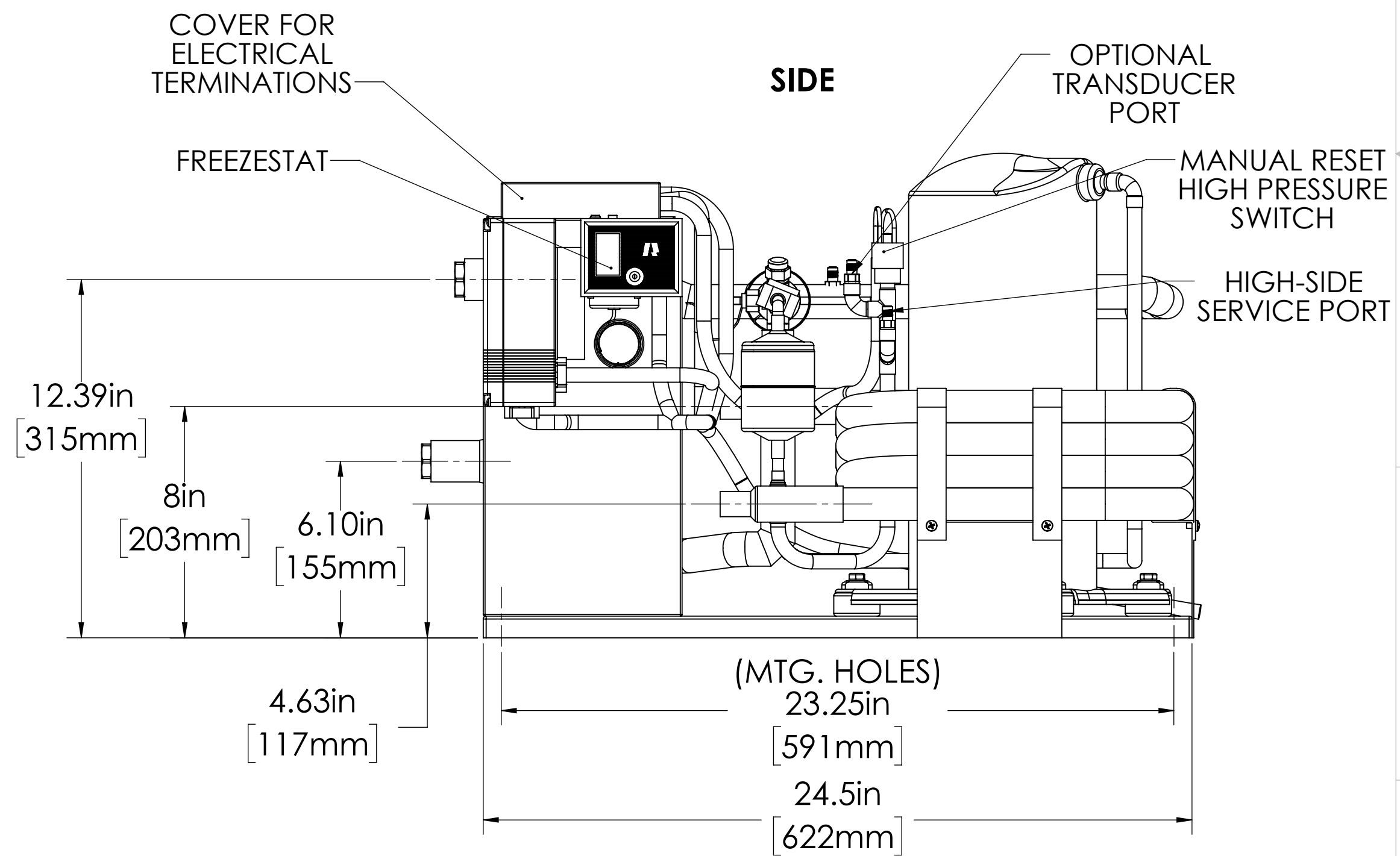
TOP



FRONT



SIDE



WEIGHT: 127 LBS (57.6 KG)

PROPRIETARY AND CONFIDENTIAL
 THE INFORMATION CONTAINED IN THIS DRAWING IS THE SOLE PROPERTY OF TECHNICALD. ANY REPRODUCTION IN PART OR AS A WHOLE WITHOUT THE WRITTEN PERMISSION OF TECHNICALD IS PROHIBITED.

UNLESS OTHERWISE SPECIFIED:		NAME	DATE
DIMENSIONS ARE IN INCHES		DRAWN	MCE
TOLERANCES:		CHECKED	4/12/2019
FRACTIONAL ±		ENG APPR.	
ANGULAR: MACH ± BEND ±		MFG APPR.	
TWO PLACE DECIMAL ±		Q.A.	
THREE PLACE DECIMAL ±		COMMENTS:	
NEXT ASSY	USED ON	FINISH	
APPLICATION	DO NOT SCALE DRAWING		



TITLE: CW36 (3 TON) 36,000 BTU CHILLER		
SIZE	DWG. NO.	REV
C	M90228	2
SCALE: 1:4		