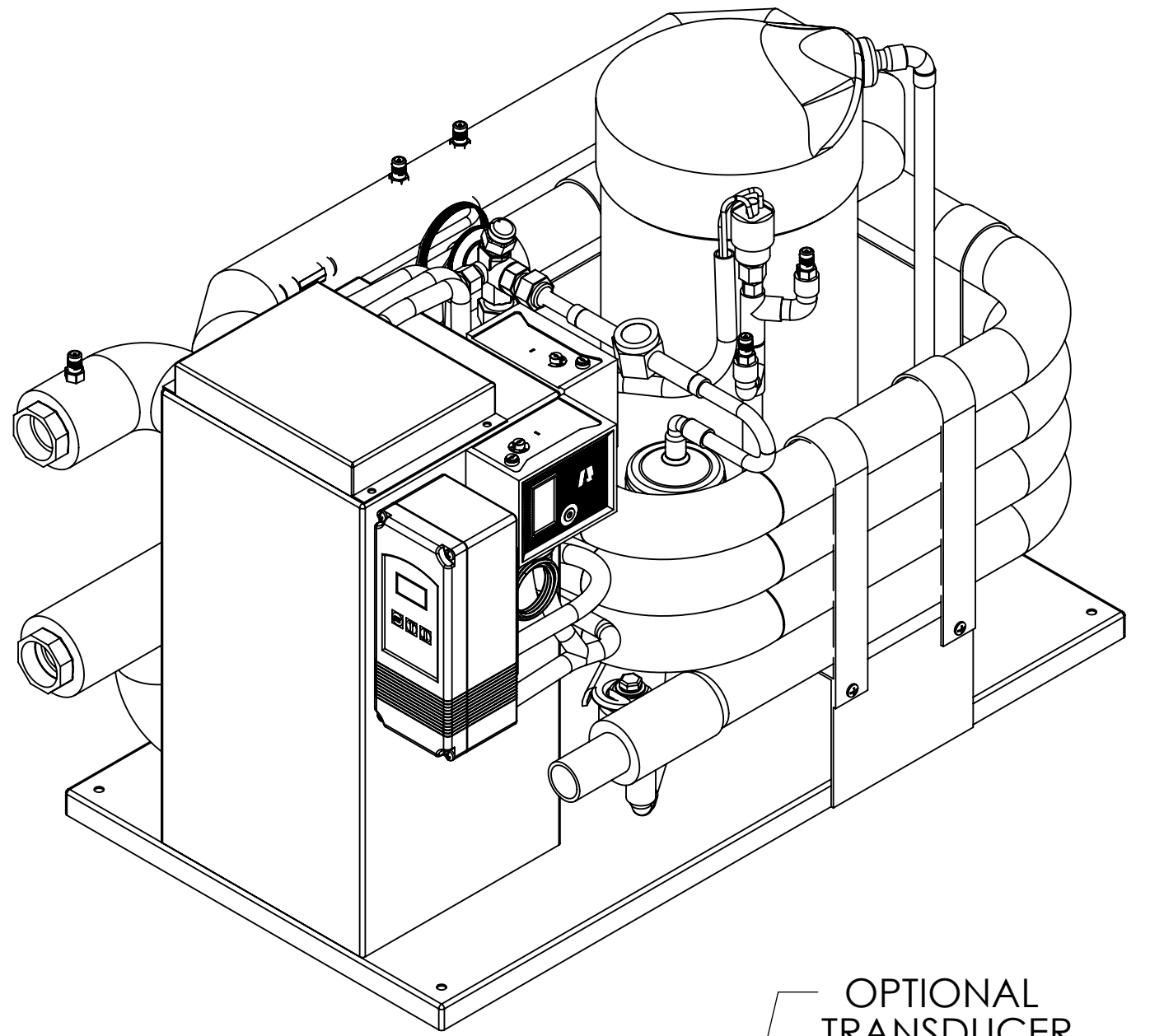
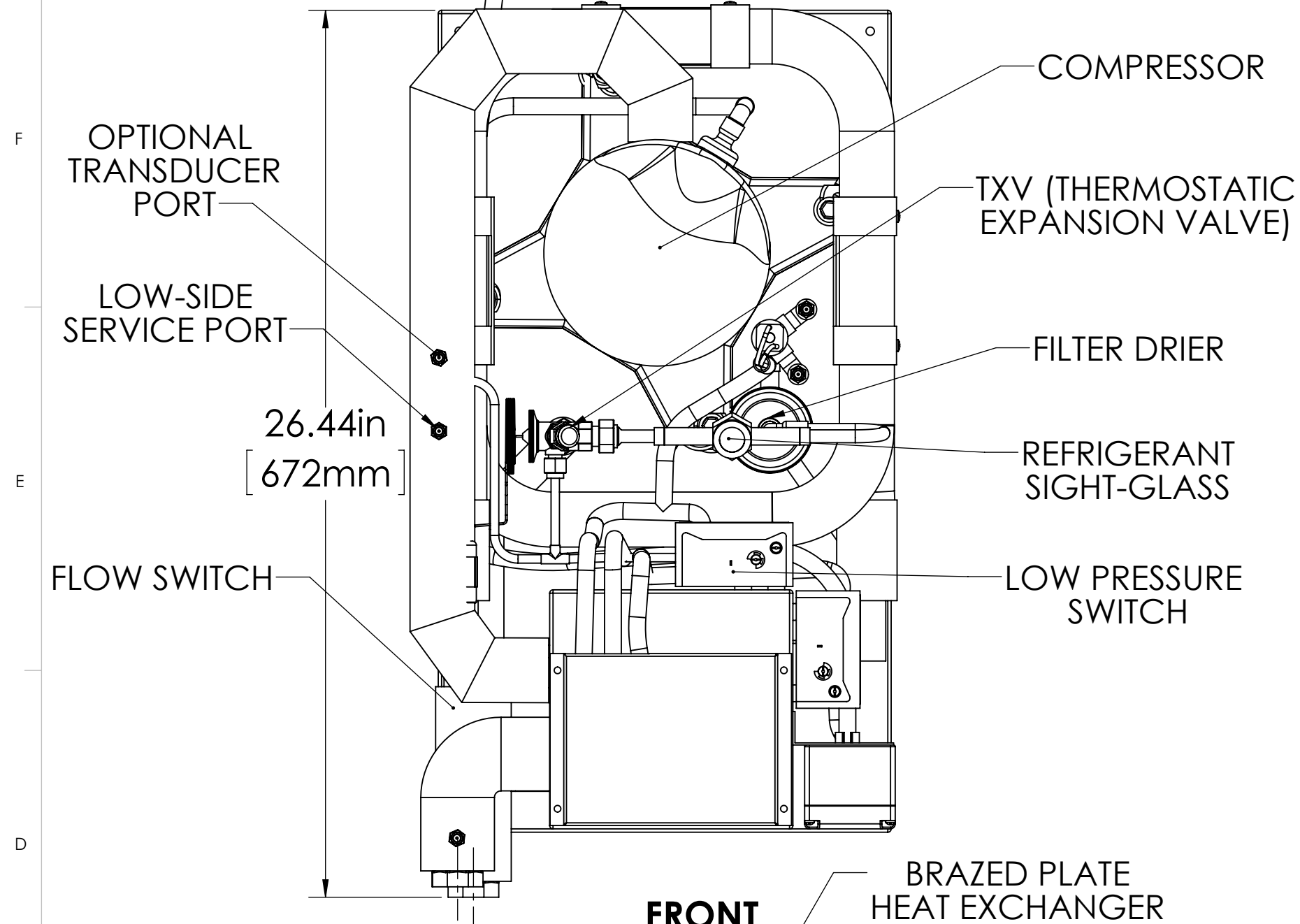
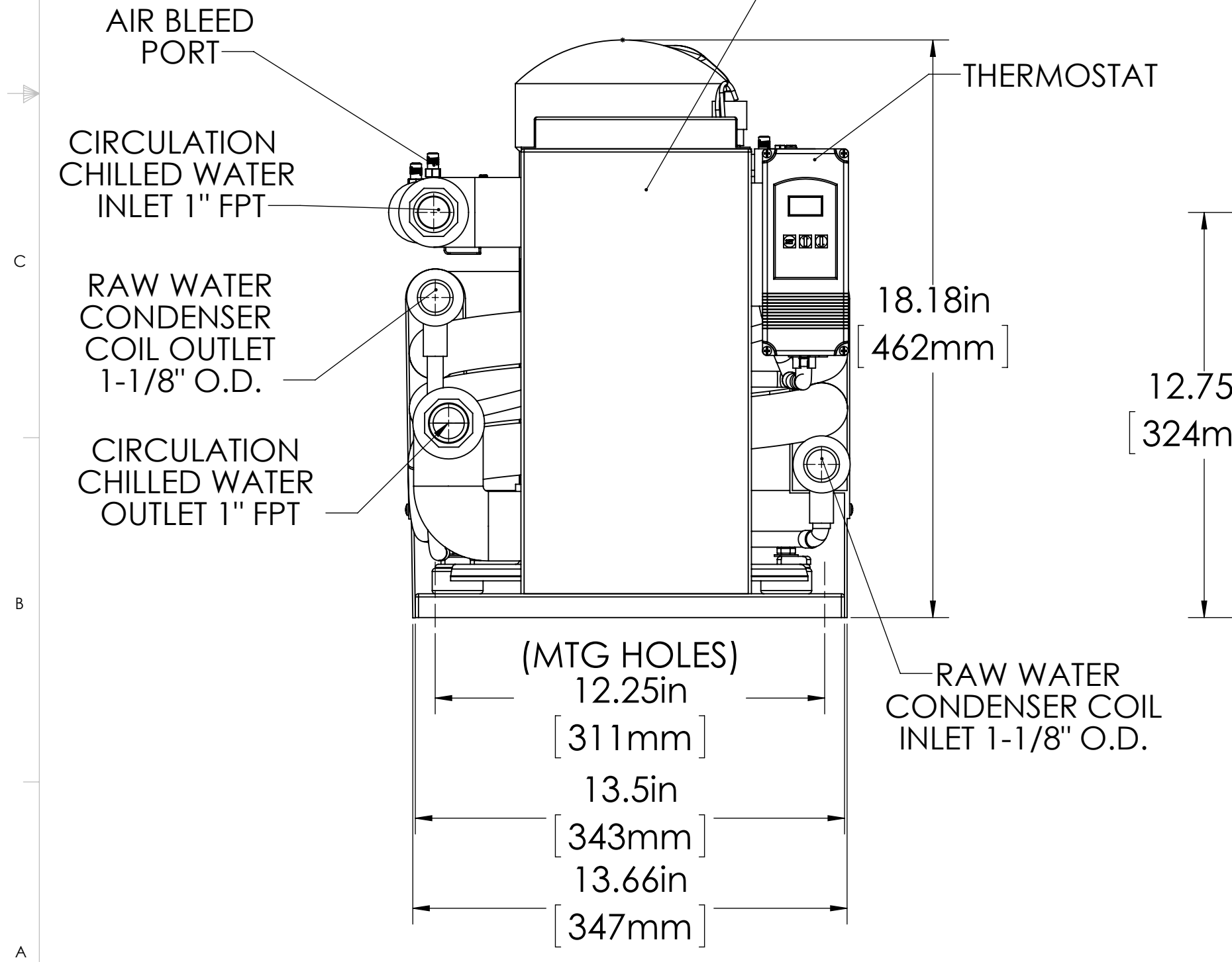


8 7 6 5 4 3 2 1

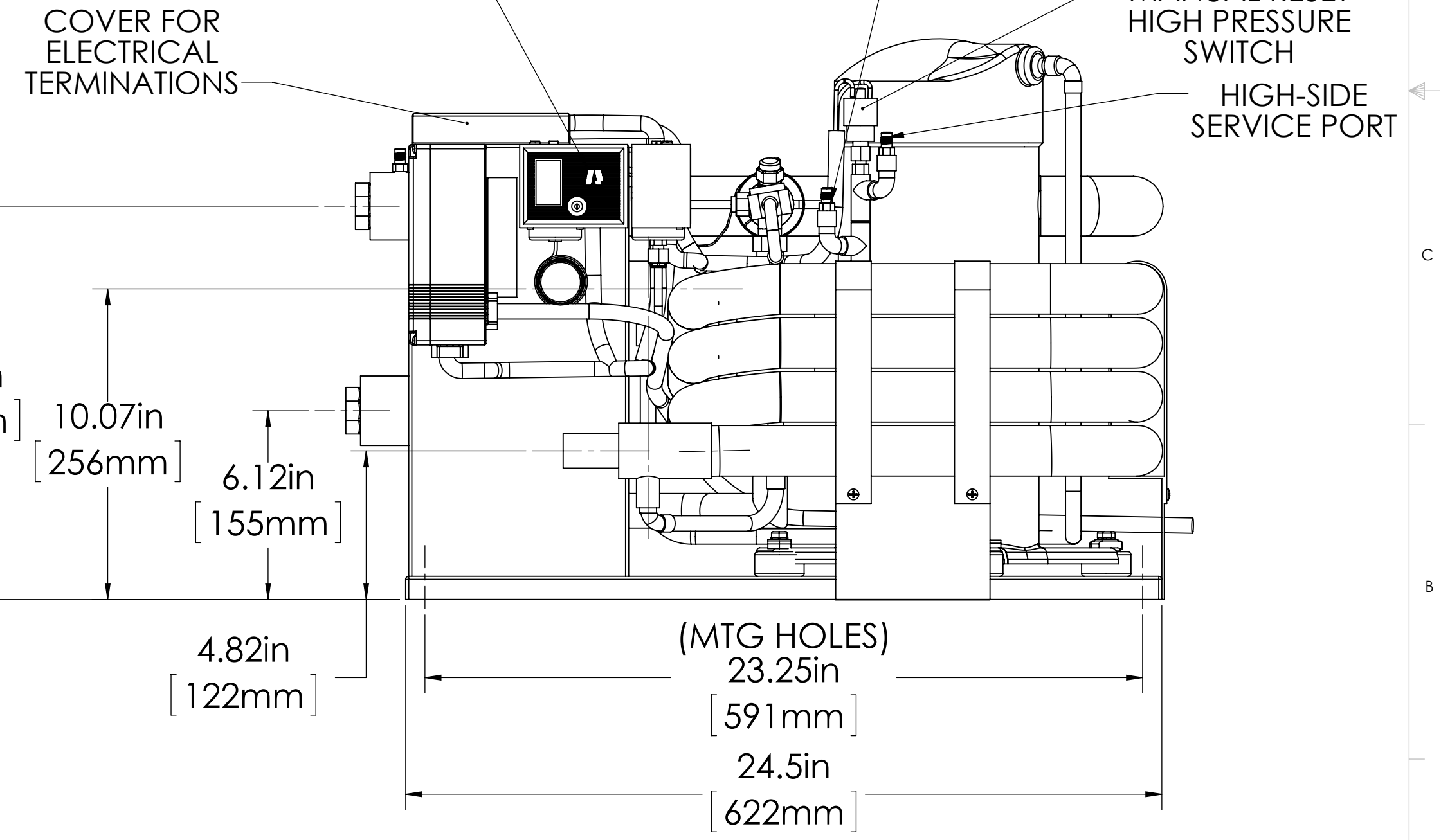
TOP



FRONT



SIDE



WEIGHT: 181 LBS (82.1 KG)

PROPRIETARY AND CONFIDENTIAL
THE INFORMATION CONTAINED IN THIS DRAWING IS THE SOLE PROPERTY OF TECHNICALD. ANY REPRODUCTION IN PART OR AS A WHOLE WITHOUT THE WRITTEN PERMISSION OF TECHNICALD IS PROHIBITED.

UNLESS OTHERWISE SPECIFIED:		NAME	DATE
DIMENSIONS ARE IN INCHES		DRAWN	MCE 1/7/2014
TOLERANCES:		CHECKED	
FRACTIONAL ±		ENG APPR.	
ANGULAR: MACH ±		MFG APPR.	
BEND ±		Q.A.	
TWO PLACE DECIMAL ±		COMMENTS:	
THREE PLACE DECIMAL ±			
NEXT ASSY	USED ON	FINISH	
APPLICATION	DO NOT SCALE DRAWING		



TITLE: CW48 (4 TON) 48,000 BTU CHILLER		
SIZE	DWG. NO.	REV
C	M90229	1
SCALE: 1:4		

8 7 6 5 4 3 2 1