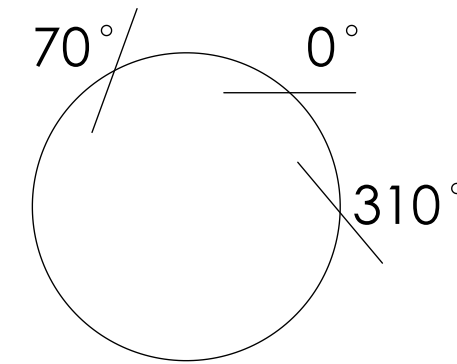
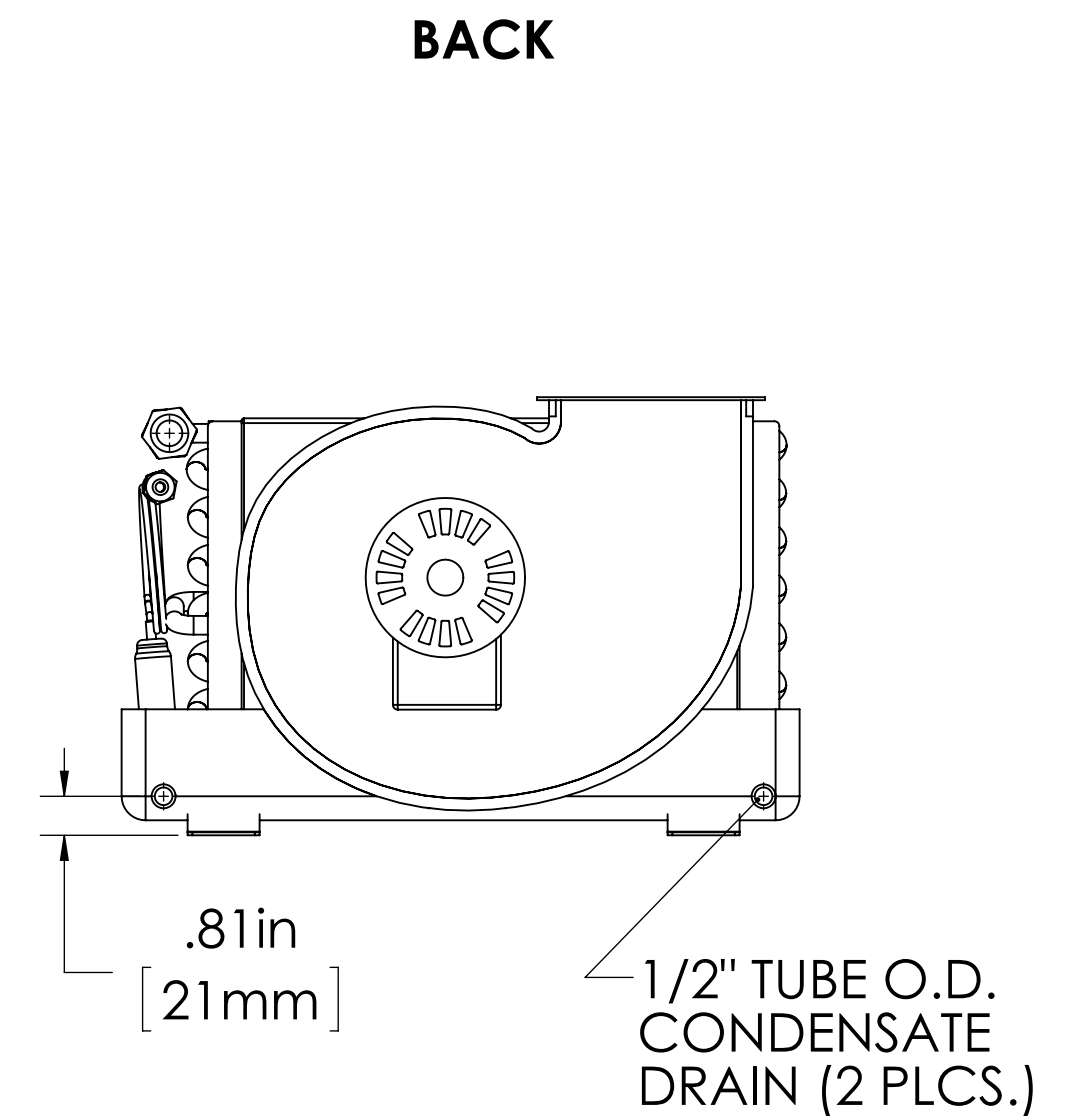
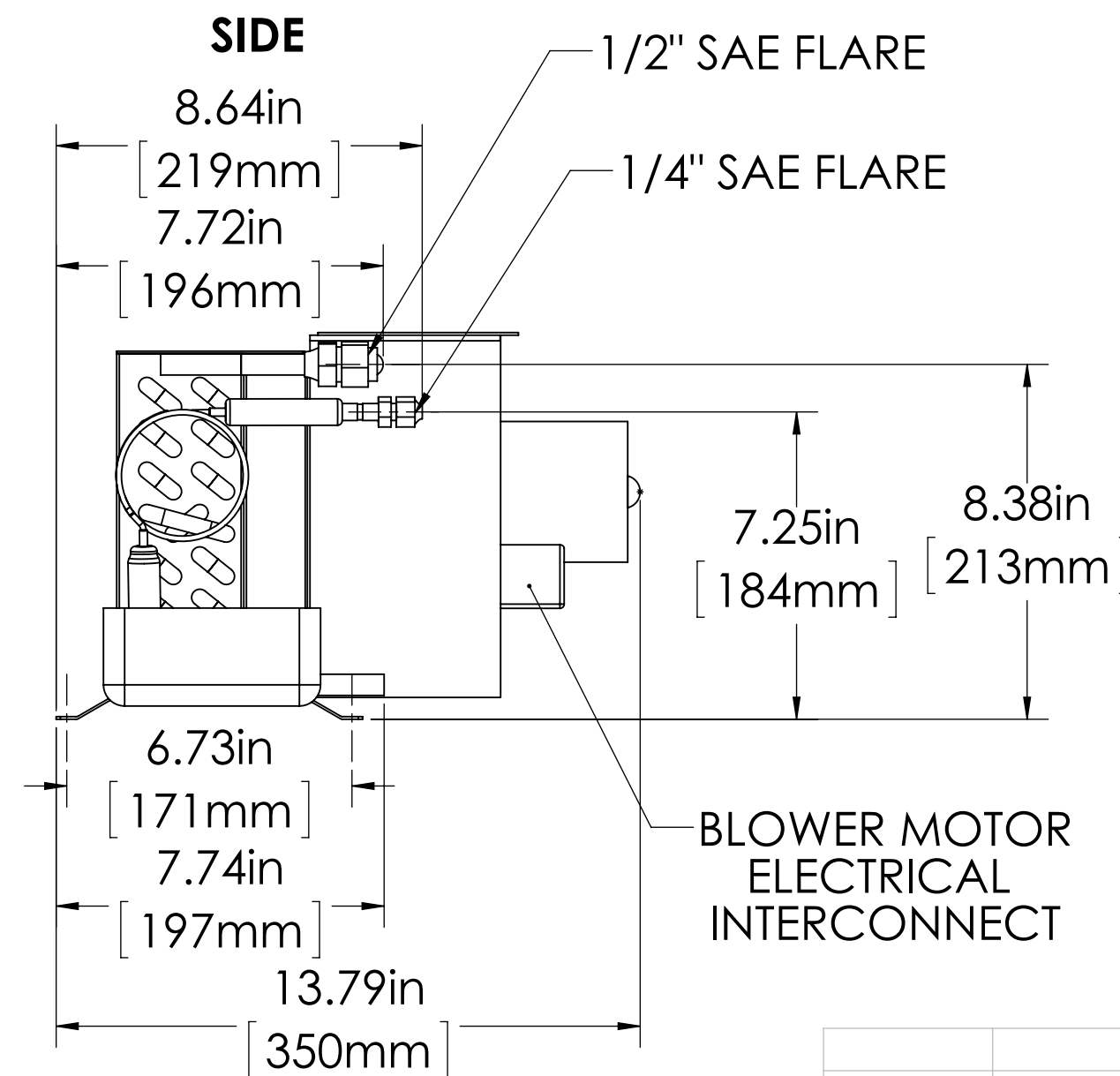
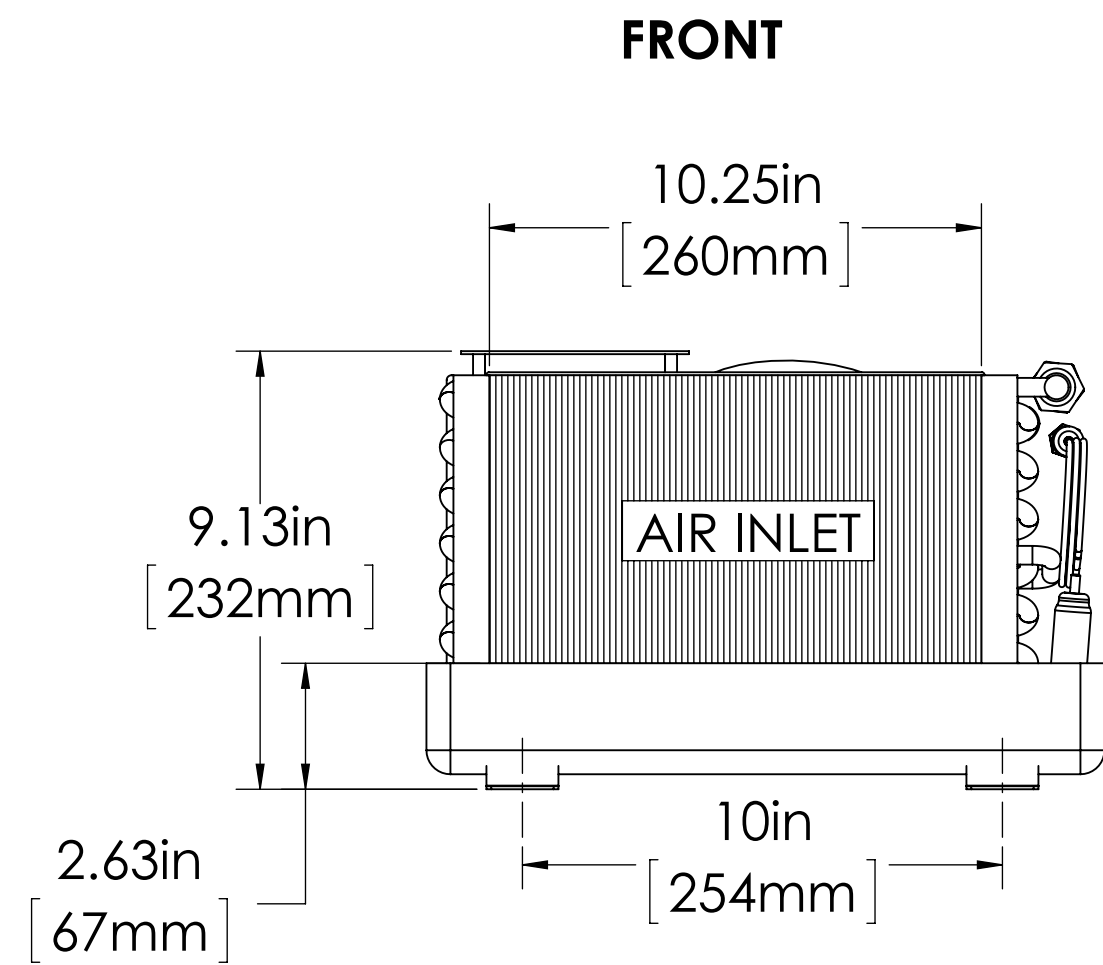


BLOWER DUCT RING POSITIONS



CUSTOM CONFIGURATIONS AVAILABLE



AMP DRAW	115V	230V
BLOWER	1.86	.93

WEIGHT: 19 IBS [8.61 KG] CFM: 265

ADD 2" TO DEPTH FOR HEAT

**PROPRIETARY AND CONFIDENTIAL**  
THE INFORMATION CONTAINED IN THIS DRAWING IS THE SOLE PROPERTY OF TECHNICOLD. ANY REPRODUCTION IN PART OR AS A WHOLE WITHOUT THE WRITTEN PERMISSION OF TECHNICOLD IS PROHIBITED.

UNLESS OTHERWISE SPECIFIED:		NAME	DATE
DIMENSIONS ARE IN INCHES		MCE	2/11/2013
TOLERANCES:		DRAWN	
FRACTIONAL: $\pm$		CHECKED	
ANGULAR: MATCH $\pm$ BEND $\pm$		ENG APPR.	
TWO PLACE DECIMAL $\pm$		MFG APPR.	
THREE PLACE DECIMAL $\pm$		Q.A.	
INTERPRET GEOMETRIC TOLERANCING PER: MATERIAL		COMMENTS:	
NEXT ASSY	USED ON	FINISH	
APPLICATION	DO NOT SCALE DRAWING		



TITLE: RE08B		
SIZE	DWG. NO.	REV
<b>C</b>	M90250	1
SCALE: 1:4	WEIGHT:	SHEET 1 OF 1