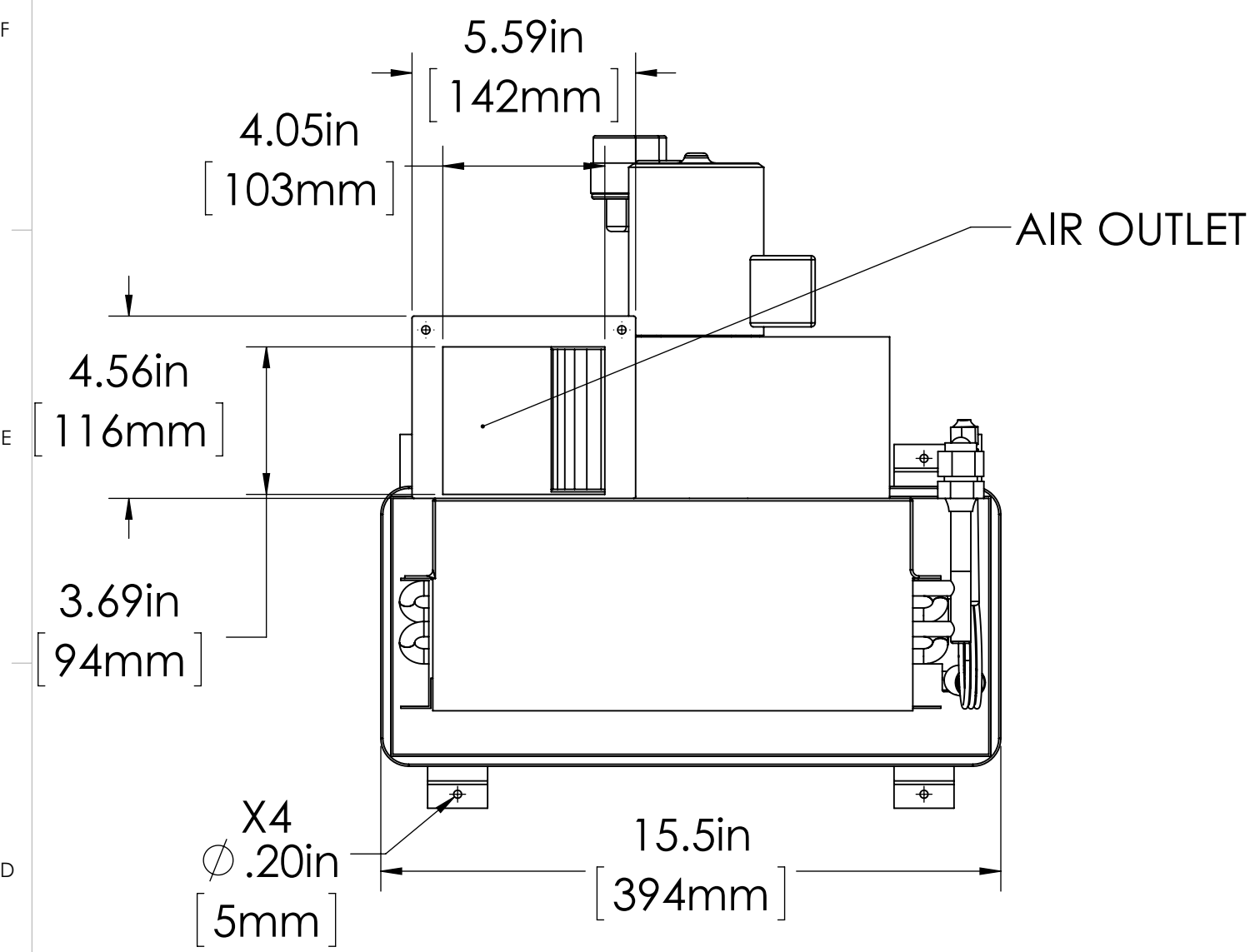
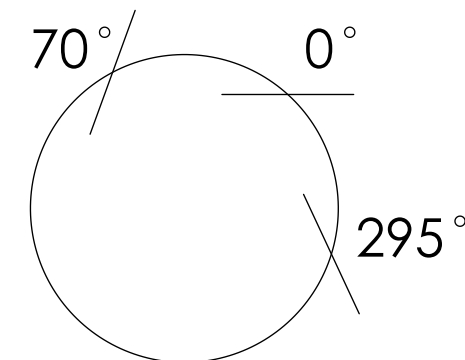


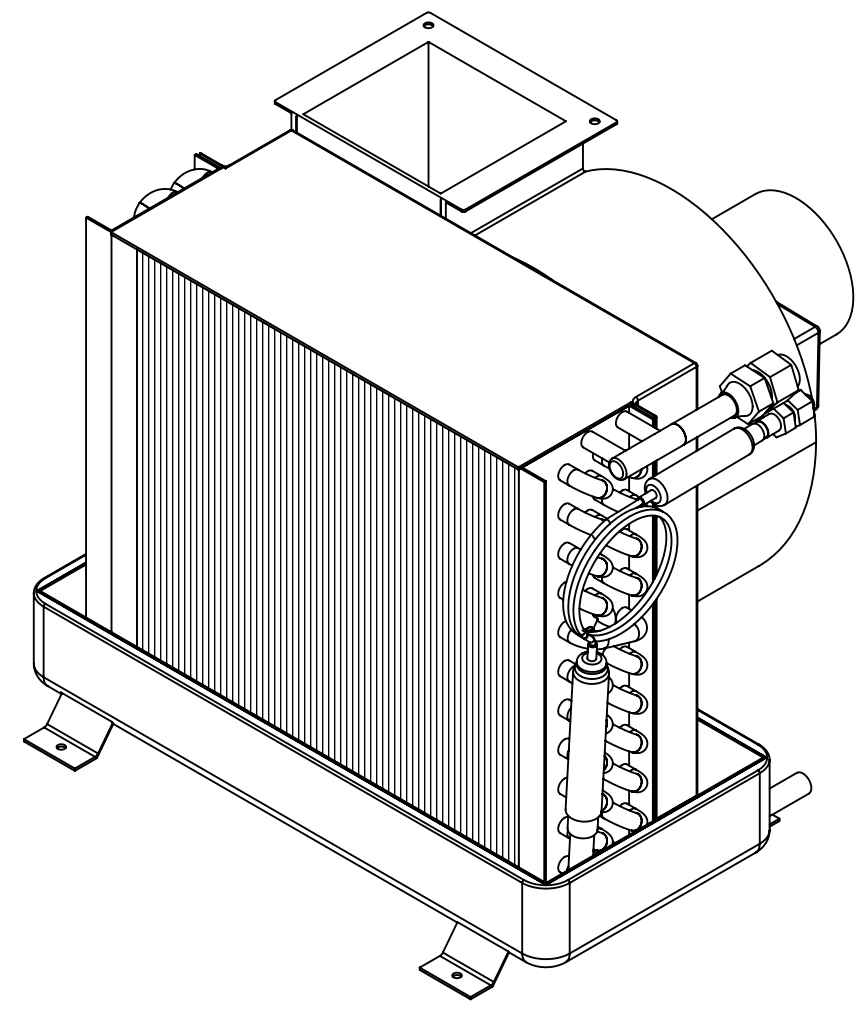
**TOP**



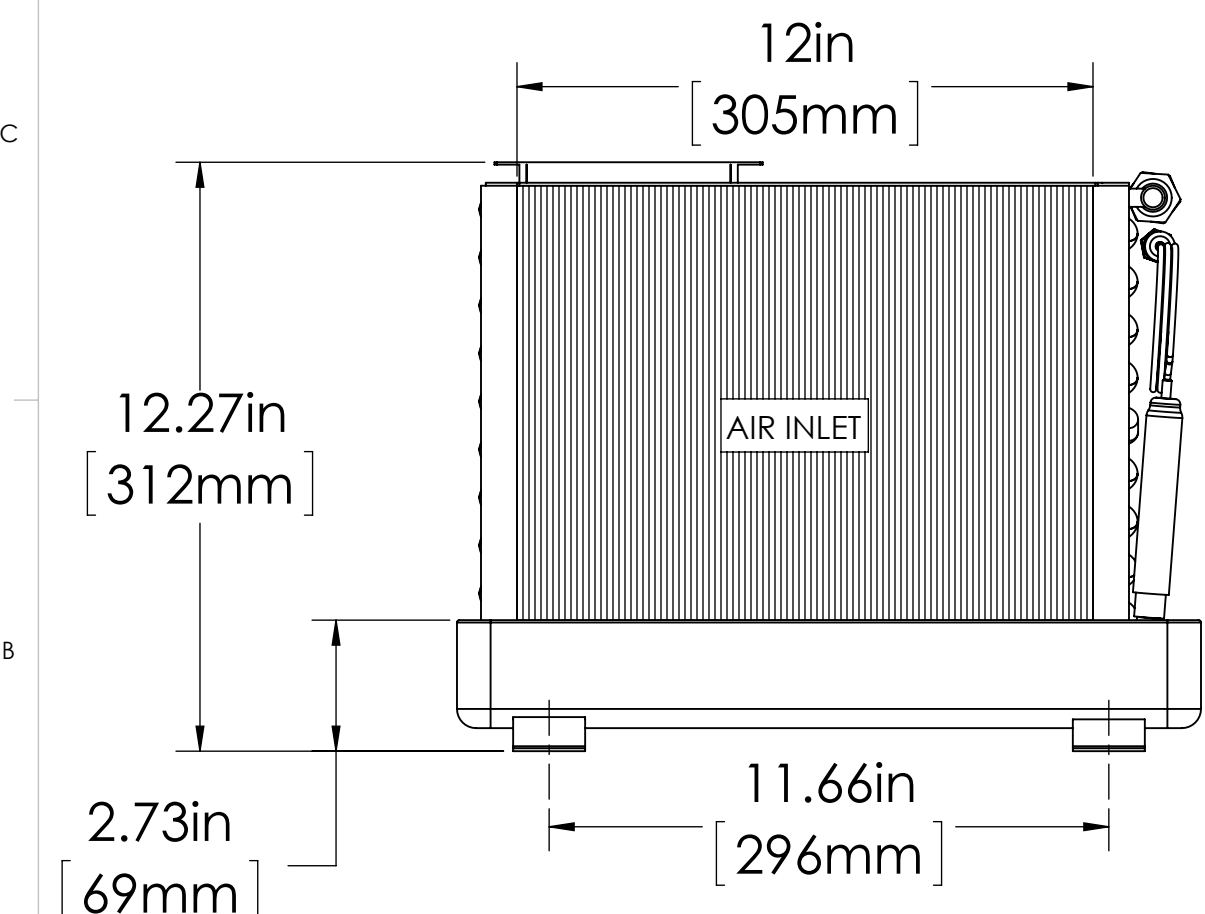
**BLOWER DUCT RING POSITIONS**



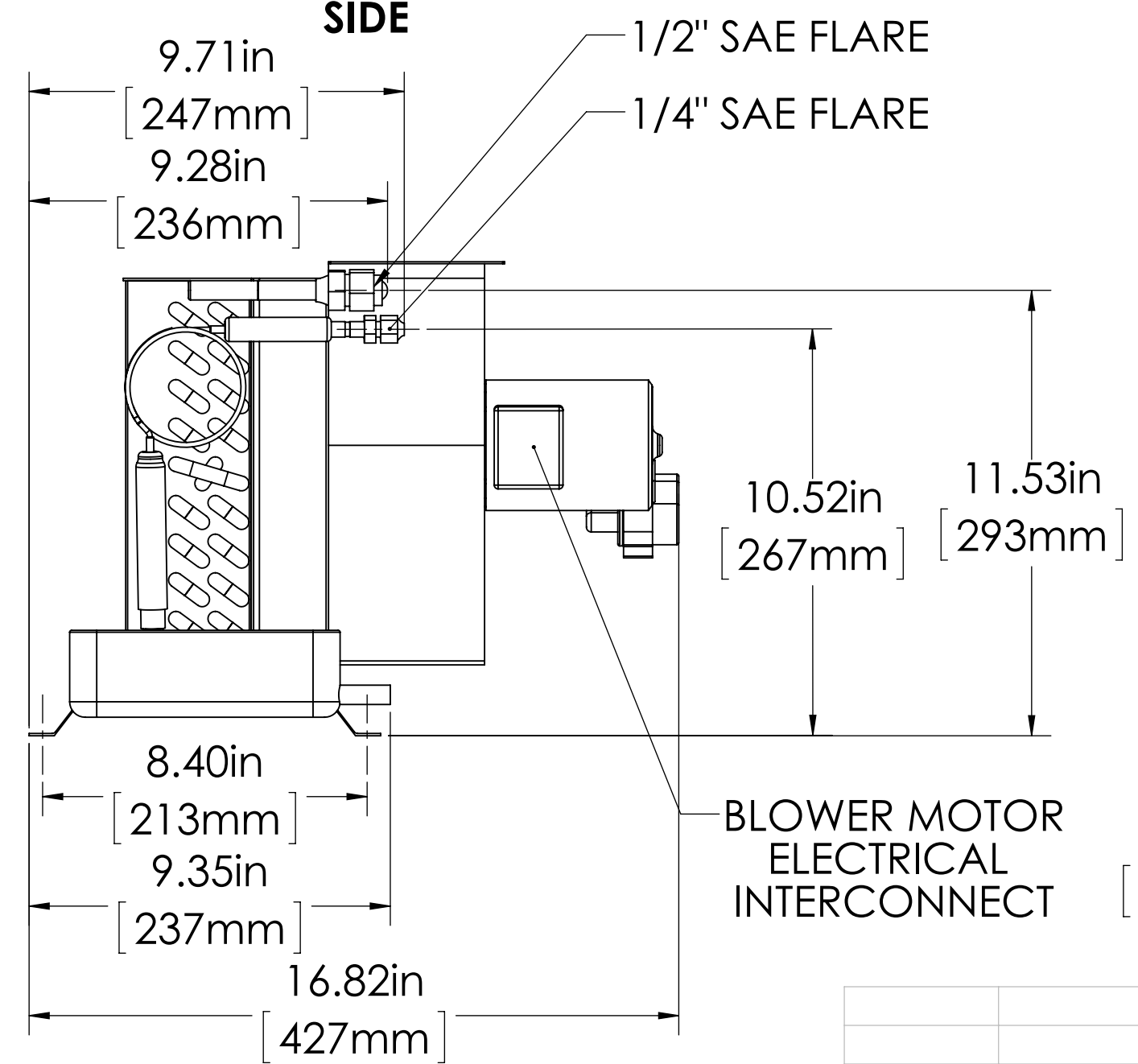
CUSTOM CONFIGURATIONS AVAILABLE



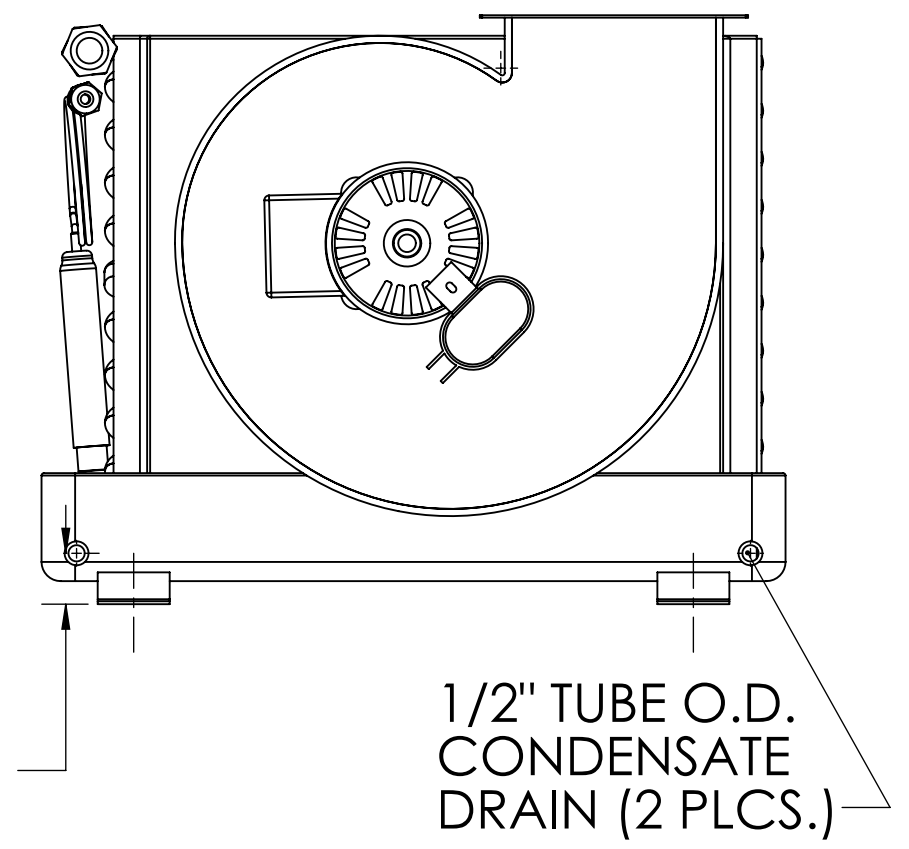
**FRONT**



**SIDE**



**BACK**



AMP DRAW	115V	230V
BLOWER	1.1	.55

WEIGHT: 25.7 LBS [11.65 KG] CFM: 350 ADD 1" TO DEPTH FOR HEAT

**PROPRIETARY AND CONFIDENTIAL**  
THE INFORMATION CONTAINED IN THIS DRAWING IS THE SOLE PROPERTY OF TECHNICALD. ANY REPRODUCTION IN PART OR AS A WHOLE WITHOUT THE WRITTEN PERMISSION OF TECHNICALD IS PROHIBITED.

UNLESS OTHERWISE SPECIFIED:		NAME	DATE
DIMENSIONS ARE IN INCHES		MCE	2/11/2014
TOLERANCES:		CHECKED	
FRACTIONAL ±		ENG APPR.	
ANGULAR: MACH ± BEND ±		MFG APPR.	
TWO PLACE DECIMAL ±		Q.A.	
THREE PLACE DECIMAL ±		COMMENTS:	
INTERPRET GEOMETRIC TOLERANCING PER: MATERIAL			
FINISH			
NEXT ASSY	USED ON		
APPLICATION	DO NOT SCALE DRAWING		



TITLE: RE12B		
SIZE	DWG. NO.	REV
<b>C</b>	<b>M90249</b>	<b>1</b>
SCALE: 1:4	WEIGHT:	SHEET 1 OF 1