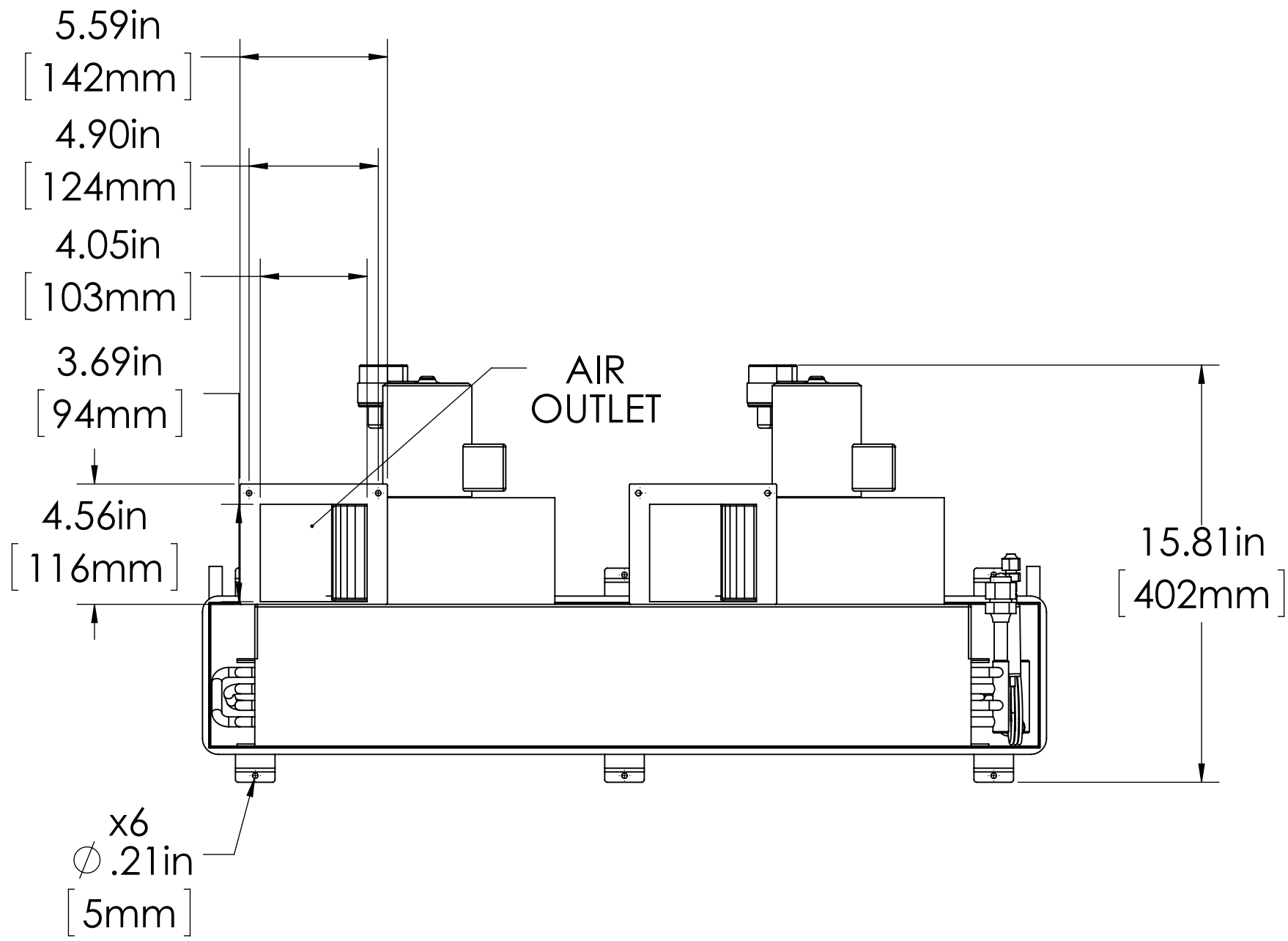
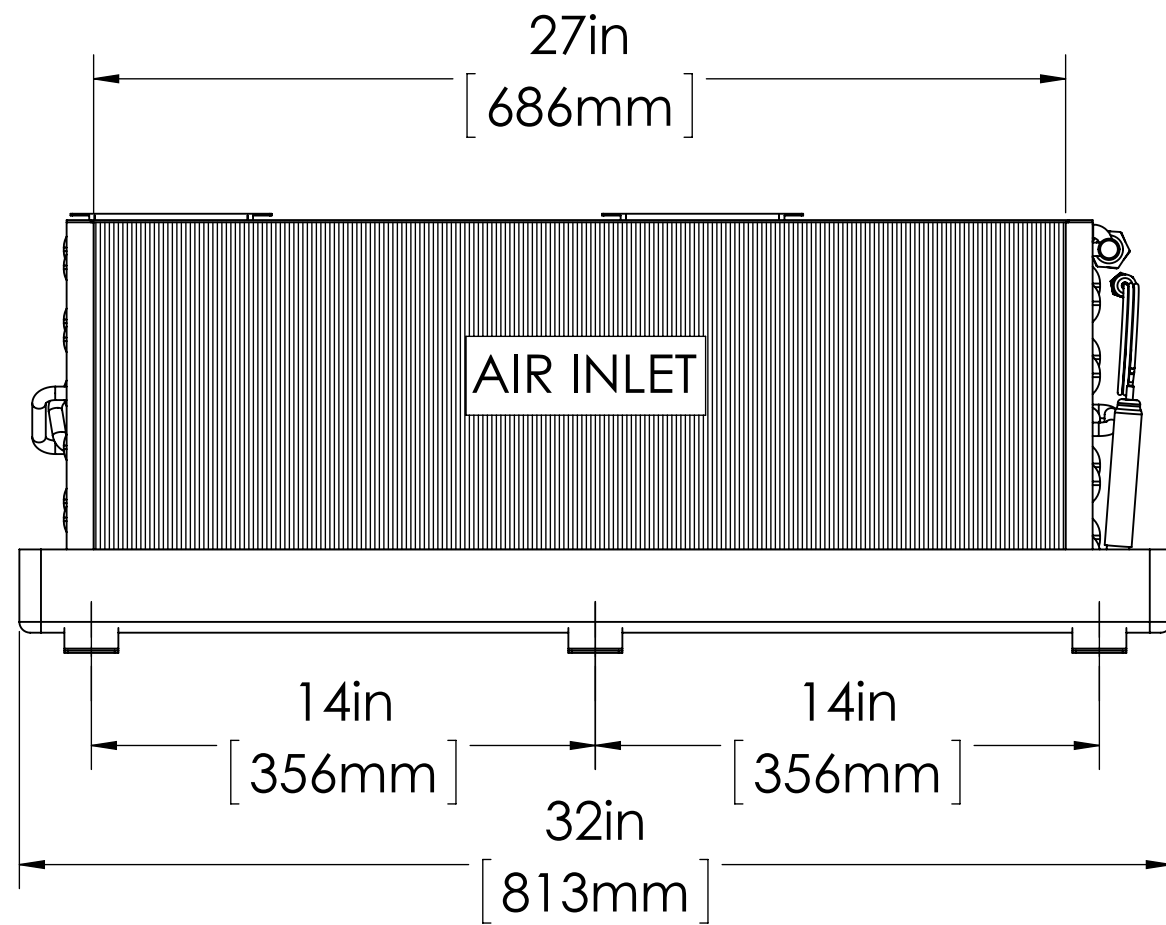


TOP VIEW



FRONT



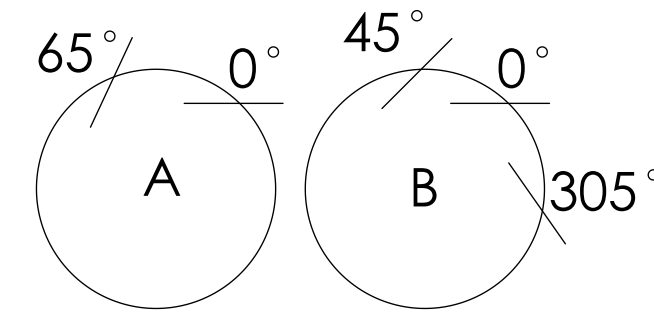
AIR INLET

AMP DRAW	115V	230V
BLOWER	2.2	1.1

WEIGHT: 48.4 LBS [21.95 KG] CFM: 700

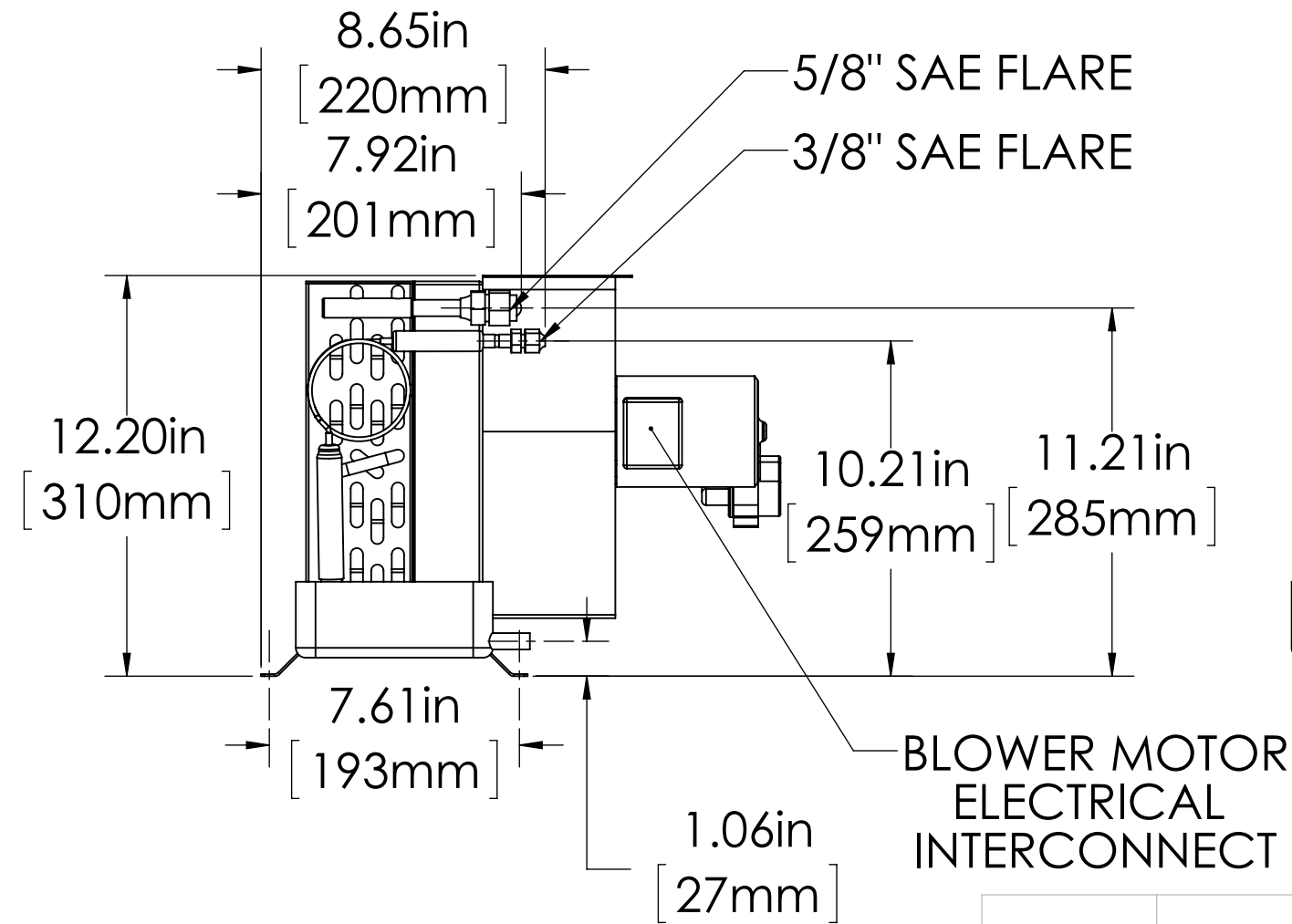
ADD 2" TO DEPTH FOR HEAT

BLOWER DUCT RING POSITIONS



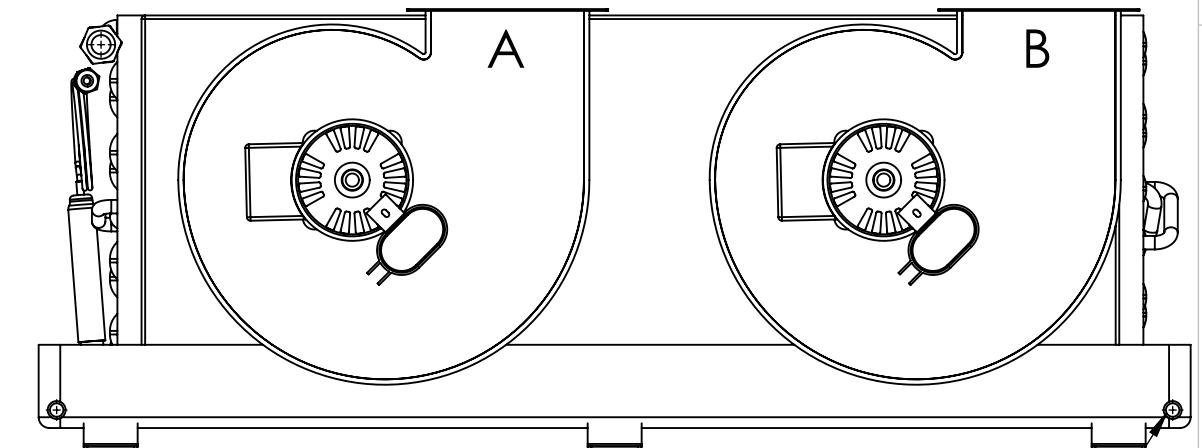
CUSTOM CONFIGURATIONS AVAILABLE

SIDE



BLOWER MOTOR ELECTRICAL INTERCONNECT

BACK



1/2" TUBE O.D. CONDENSATE DRAIN

UNLESS OTHERWISE SPECIFIED:		NAME	DATE	TECHNICOLD by NORTHERN LIGHTS	1419 W NEWPORT CENTER DRIVE DEERFIELD BEACH, FL 33442 1-800-943-6140 TEL: (954)-421-1717 FAX: (954)-421-1712	
DIMENSIONS ARE IN INCHES		DRAWN	MCE		2/11/2014	RE24B
TOLERANCES:		CHECKED			SIZE DWG. NO. REV	
FRACTIONAL ±		ENG APPR.			C M90252 1	
ANGULAR: MATCH ± BEND ±		MFG APPR.			SCALE: 1:8 SHEET 1 OF 1	
TWO PLACE DECIMAL ±		Q.A.				
THREE PLACE DECIMAL ±		COMMENTS:				
INTERPRET GEOMETRIC TOLERANCING PER:						
MATERIAL						
NEXT ASSY	USED ON					
APPLICATION						
DO NOT SCALE DRAWING						

PROPRIETARY AND CONFIDENTIAL
THE INFORMATION CONTAINED IN THIS DRAWING IS THE SOLE PROPERTY OF TECHNICALD. ANY REPRODUCTION IN PART OR AS A WHOLE WITHOUT THE WRITTEN PERMISSION OF TECHNICALD IS PROHIBITED.