

Instructions for replacing the DS-71-2 voltage regulator on M673 and NL673 models with the DST-61:

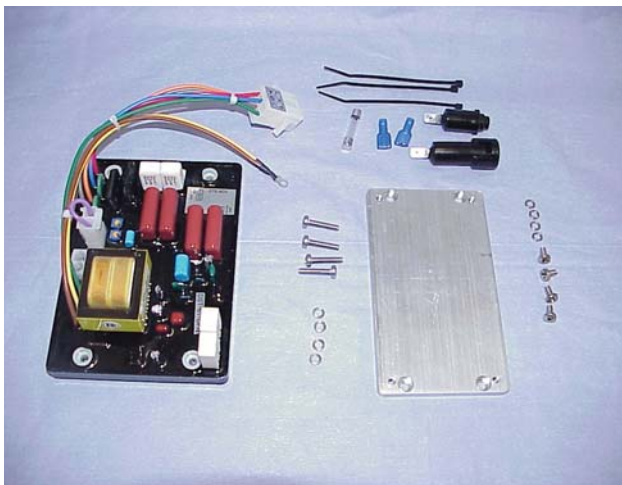
There are two kits for this:

22-68000 includes all the parts to add an external fuse for old units with a fuse on the regulator. It also includes all the parts for the mounting plate adaptor.

22-68035 is similar to the above kit but does not include the fuse parts. This is for old units that had a copper slug on the regulator.

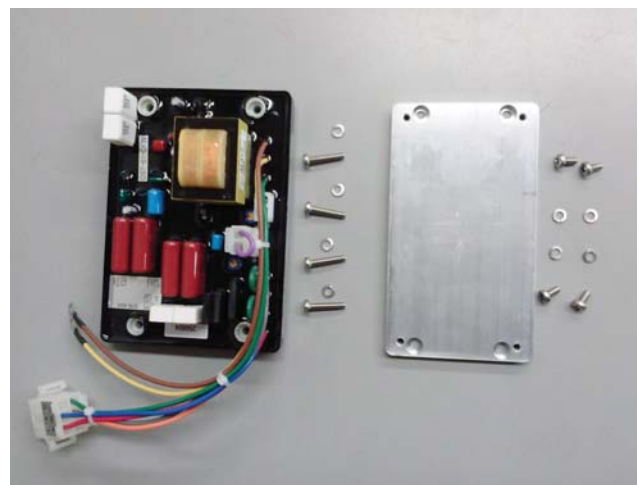
Retrofit Procedure:

1. Disconnect AVR connector and yellow and brown leads from the small terminal block
2. Remove four screws that mount the old regulator and remove the regulator
3. Install the adaptor mounting plate in the junction box with the 4 short screws and lock washers
4. Install the DST-61 regulator with the 4 long screws and lock washers
5. Cut the number 4 conductor from the generator and crimp on the two lugs. Tug test the crimps to ensure integrity. (See note 3 on the schematic on the reverse side of this document)
6. Assemble the fuse into the fuse holder and connect to the two new crimp lugs to the fuse holder terminals. Secure the fuse holder to the adjacent wiring with the tie wraps.
7. Reconnect AVR connector and yellow and brown leads to the small terminal block



Kit 22-68000

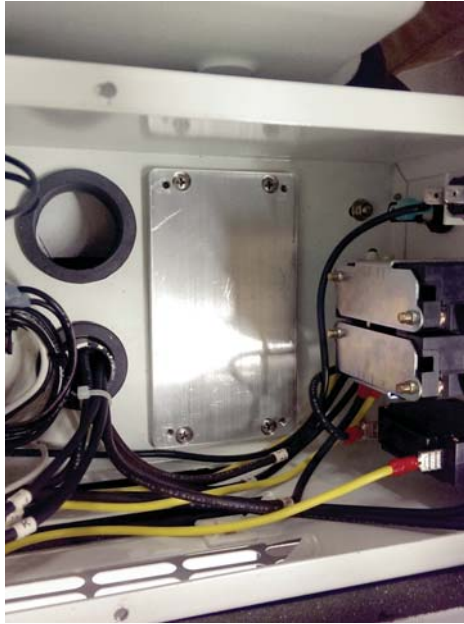
New DST-61 regulator with fuse, fuse holder parts and two crimp lugs.



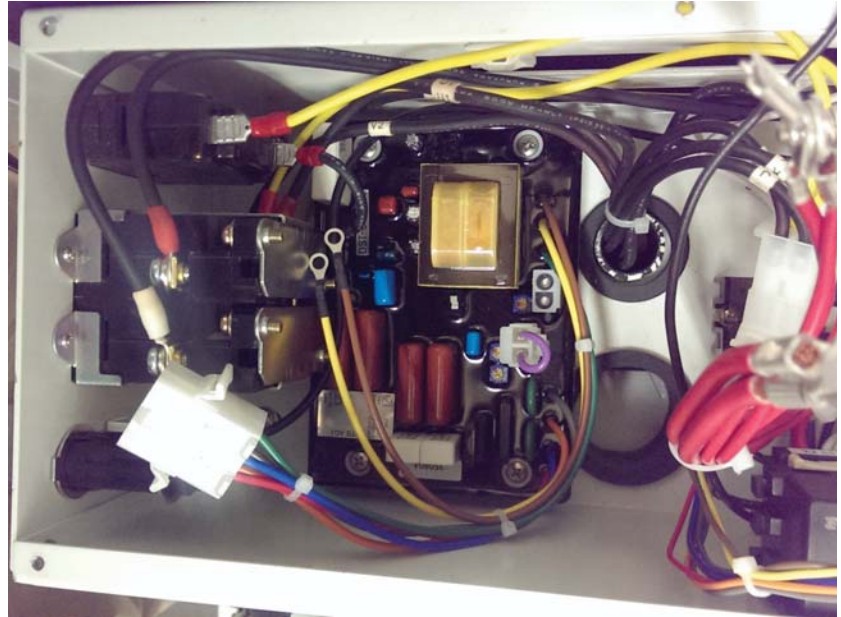
Kit 22-68035

Both kits include M4x8 mm screws and lock washers to attach the adaptor mounting plate, 28-68003, into the tapped holes in the generator junction box. There are also M4 x 20 mm screws and lock washers to attach the DST-61 regulator to the adaptor mounting plate.

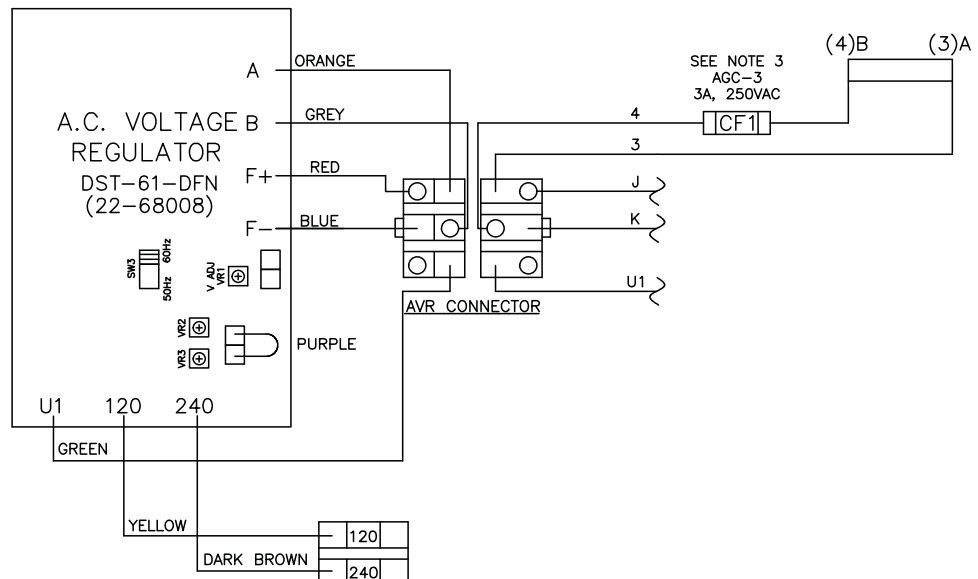




Adaptor plate installed in junction box.



New regulator mounted in junction box showing proper orientation.



NOTES:

1. ALL INSTALLATION CONDUCTORS ARE TO BE AWG 14, TYPE MTW, 600VAC, 105°C, STRANDED, EXCEPT AS NOTED.
2. THIS RETRO FIT KIT IS NECESSARY WHEN REPLACING AVR DST-71-2M THAT HAS AN AVR MOUNTED FUSE.
3. INSTALL NEW FUSE (CF1) IN CONDUCTOR 4(B) BETWEEN CONNECTOR AND B COIL.

For old regulators with an integral fuse, a new fuse holder must be installed per Schematic A-12755 shown above.



NORTHERN LIGHTS

Northern Lights, Inc. • 4420 14th Ave. NW., • Seattle WA 98107

Tel: 206-789-3880 • 1-800-762-0165 • Fax: 206-782-5455

Information and dimensions subject to change without notice.

Northern Lights and Luger are registered trademarks of Northern Lights, Inc.

© 2015 All rights reserved. Litho USA. L972 3/15