

Replacing the DS-71-2 voltage regulator on M673 and NL673 models with DST-61

The following instructions will explain how to replace the voltage regulator on Northern Lights 5 and 6 kW marine and land based units.

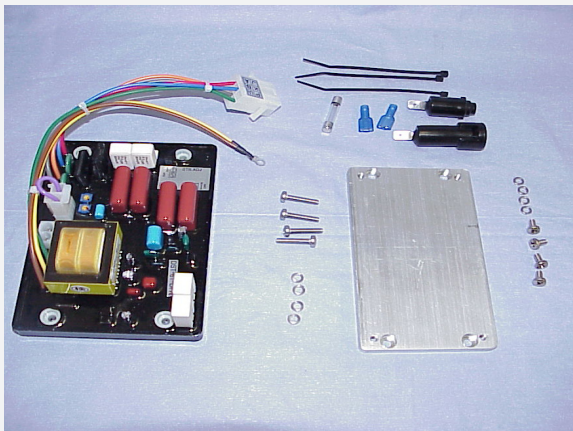
First, identify the correct kit (available from Northern Lights Parts Department):

22-68000 includes all the parts to add an external fuse for old units with a fuse on the regulator. It also includes all the parts for the mounting plate adaptor.

22-68035 is similar to the above kit but does not include the fuse parts. This is for old units that had a copper slug on the regulator.

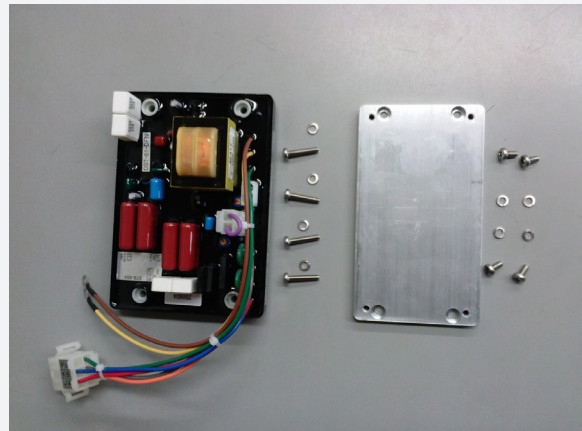
Retrofit Procedure:

1. Disconnect AVR connector and yellow and brown leads from the small terminal block
2. Remove four screws that mount the old regulator and remove the regulator
3. Install the adaptor mounting plate in the junction box with the 4 short screws and lock washers
4. Install the DST-61 regulator with the 4 long screws and lock washers
5. Cut the number 4 conductor coming from the generator. Crimp a lug on each of the two cut ends. Tug test the crimps to ensure integrity. (See note 3 on the schematic on the reverse side of this document)
6. Assemble the fuse into the fuse holder and connect to the two new crimp lugs to the fuse holder terminals. Secure the fuse holder to the adjacent wiring with the tie wraps.
7. Reconnect AVR connector and yellow and brown leads to the small terminal block



Kit 22-68000 -

New DST-61 regulator with fuse, fuse holder parts and two crimp lugs.

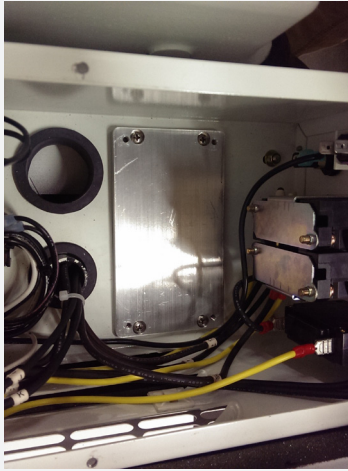


Kit 22-68035

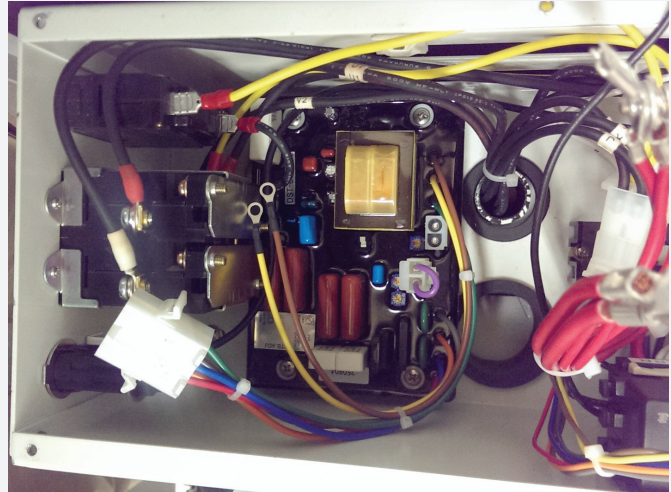
Both kits include:

**** M4 x 8 mm screws and lock washers to attach the adaptor mounting plate, 28-68003, into the tapped holes in the generator junction box.***

****M4 x 20 mm screws and lock washers to attach the DST-61 regulator to the adaptor mounting plate.***

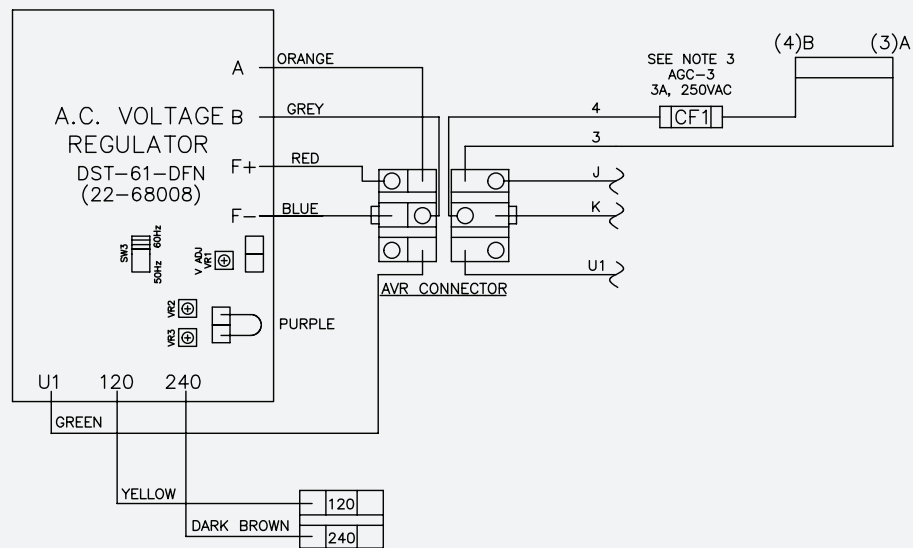


Adaptor plate installed in junction box.



New regulator mounted in junction box showing proper orientation.

JUNCTION BOX



NOTES:

1. ALL INSTALLATION CONDUCTORS ARE TO BE AWG 14, TYPE MTW, 600VAC, 105°C, STRANDED, EXCEPT AS NOTED.
2. THIS RETRO FIT KIT IS NECESSARY WHEN REPLACING AVR DST-71-2M THAT HAS AN AVR MOUNTED FUSE.
3. INSTALL NEW FUSE (CF1) IN CONDUCTOR 4(B) BETWEEN CONNECTOR AND B COIL.

For older regulators with an integral fuse, a new fuse holder must be installed per Schematic A-12755 shown above.

Questions? Please contact Northern Lights Factory Headquarters at 1-800-762-0165