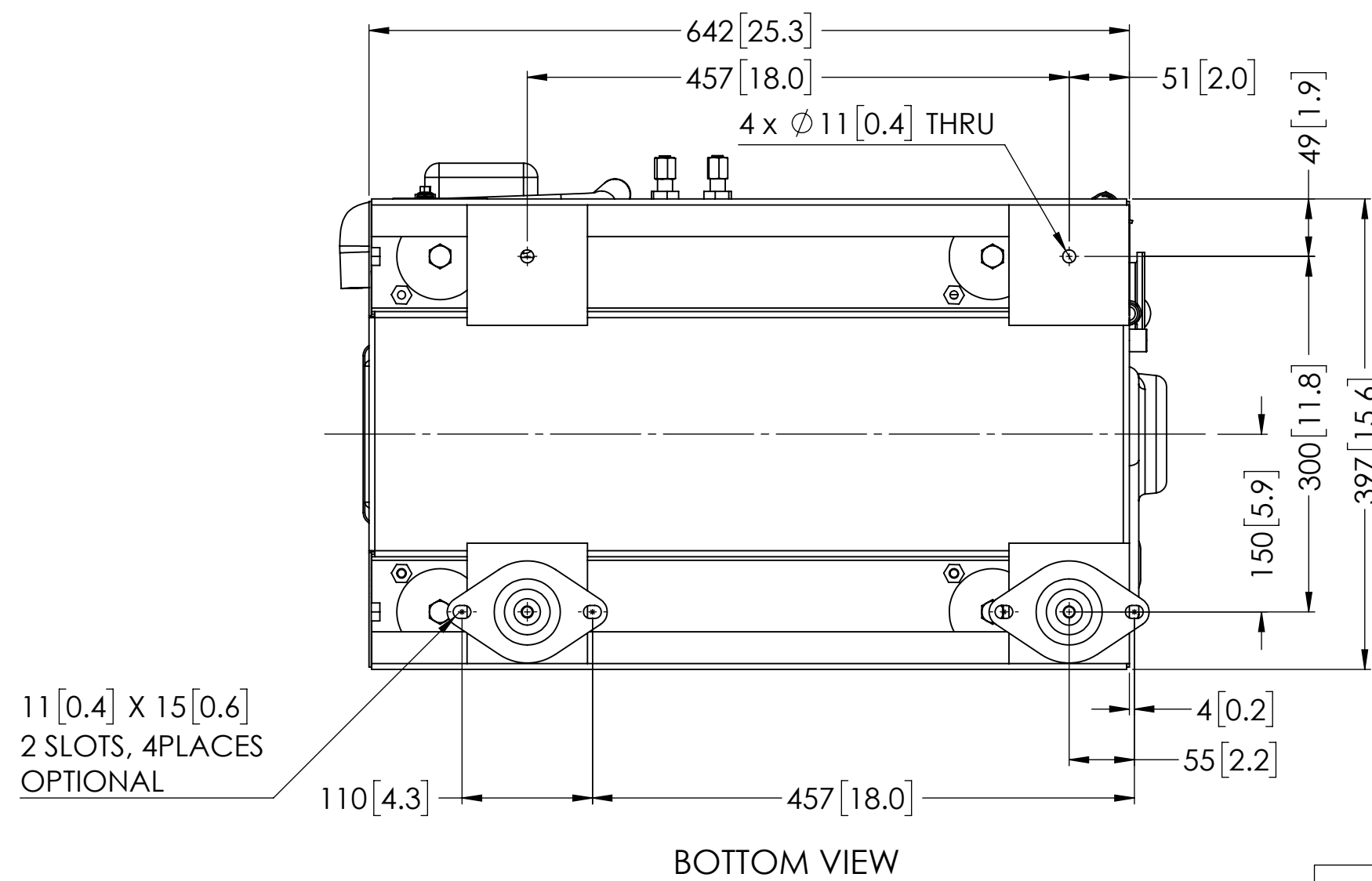
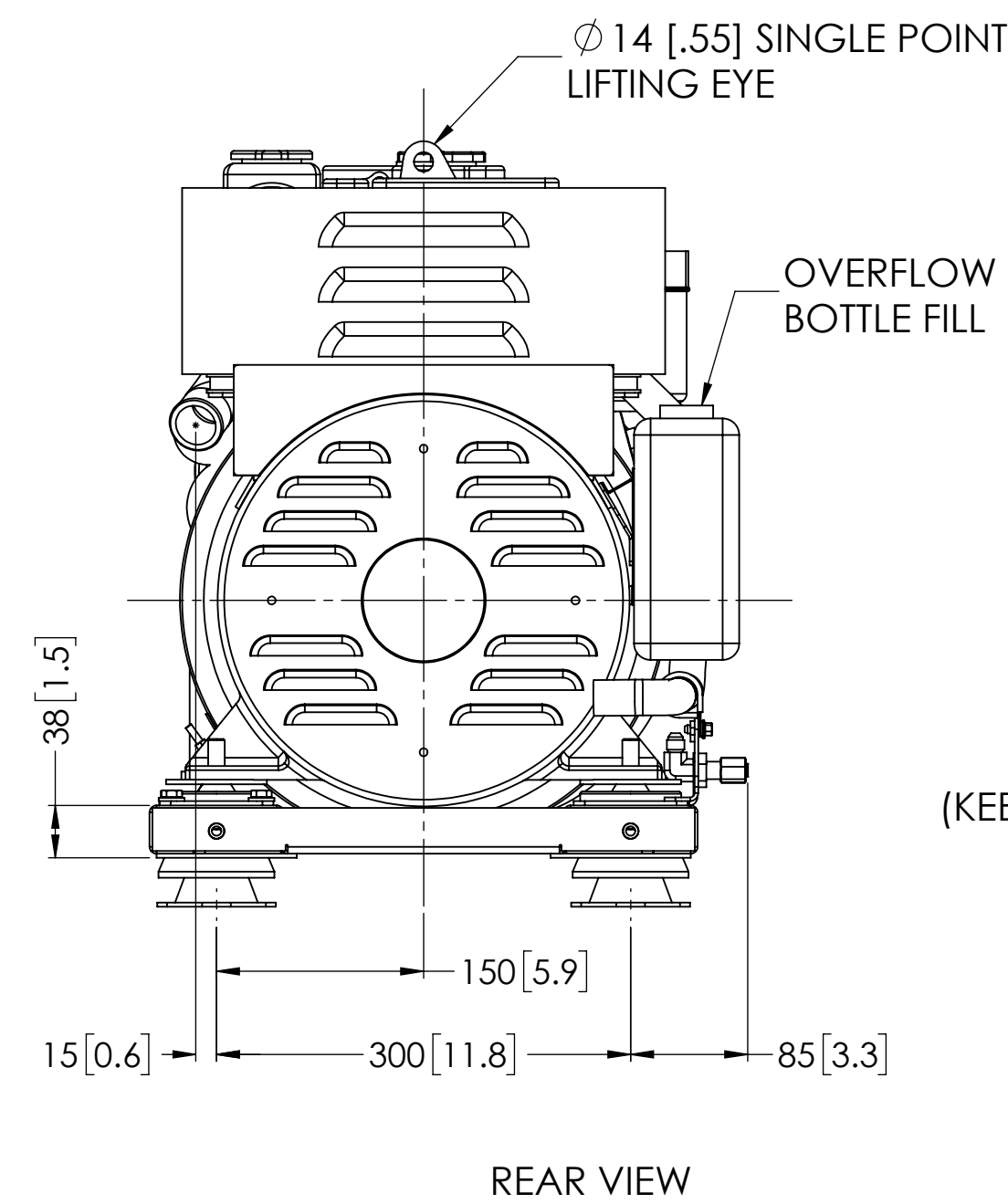
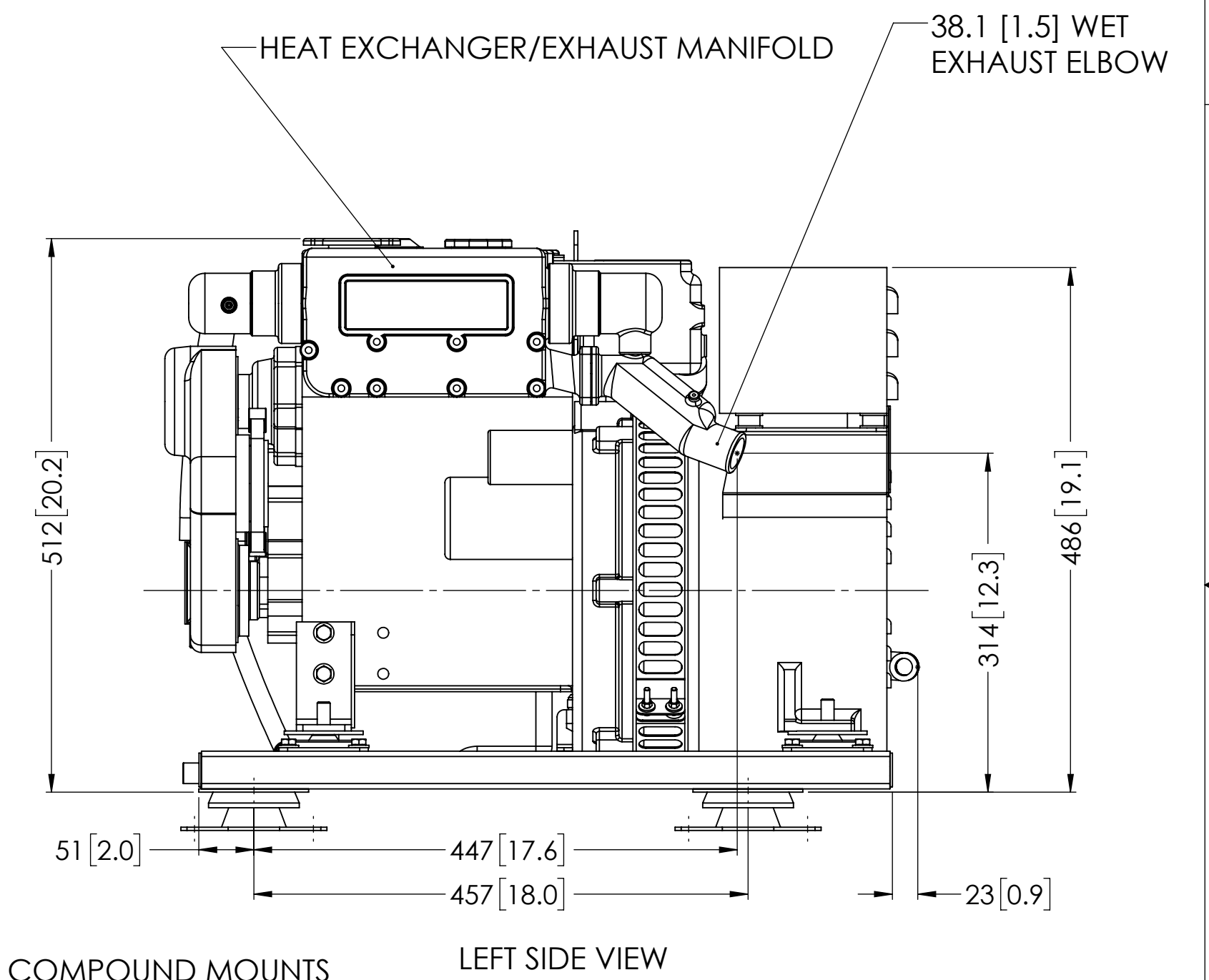
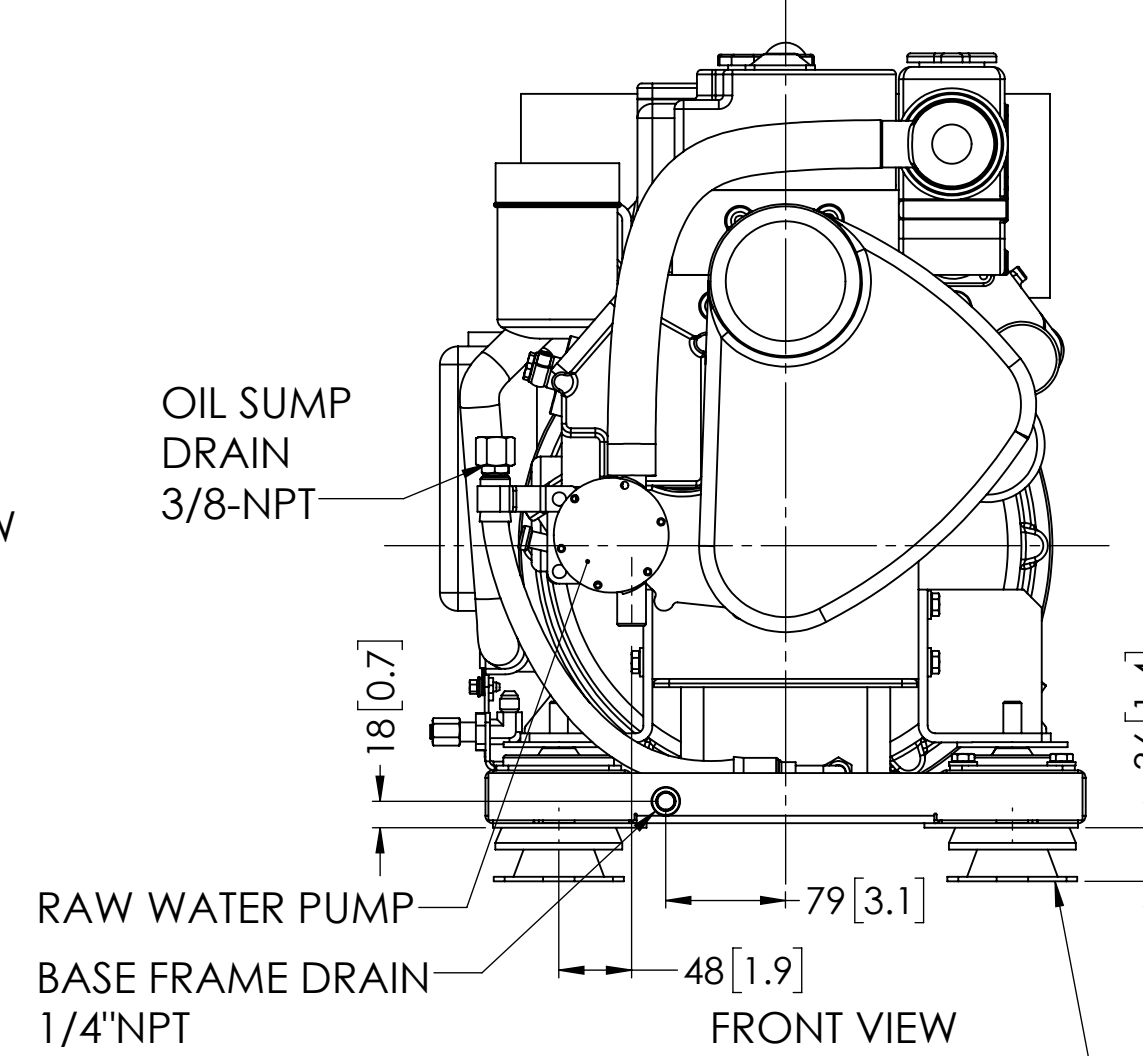
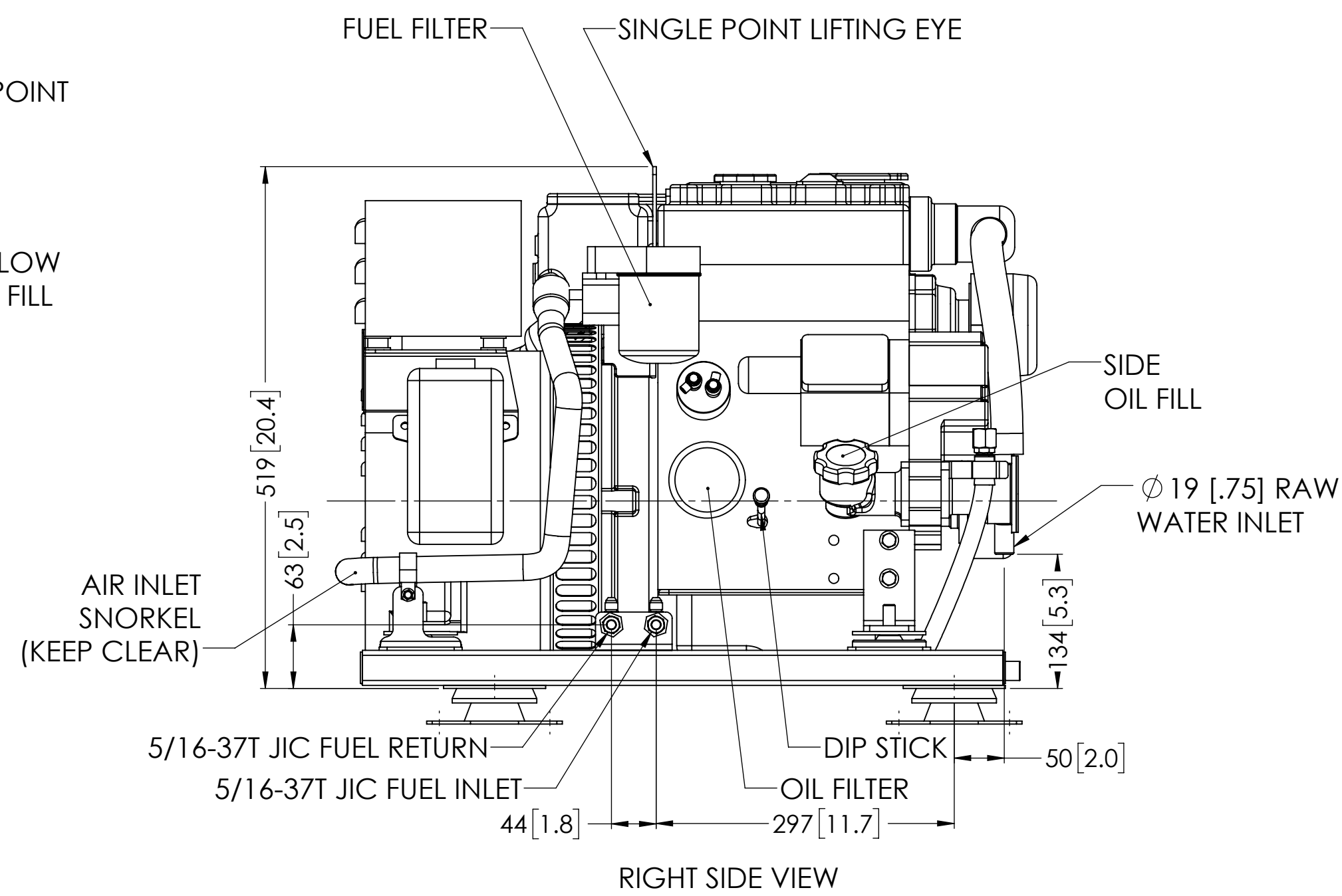
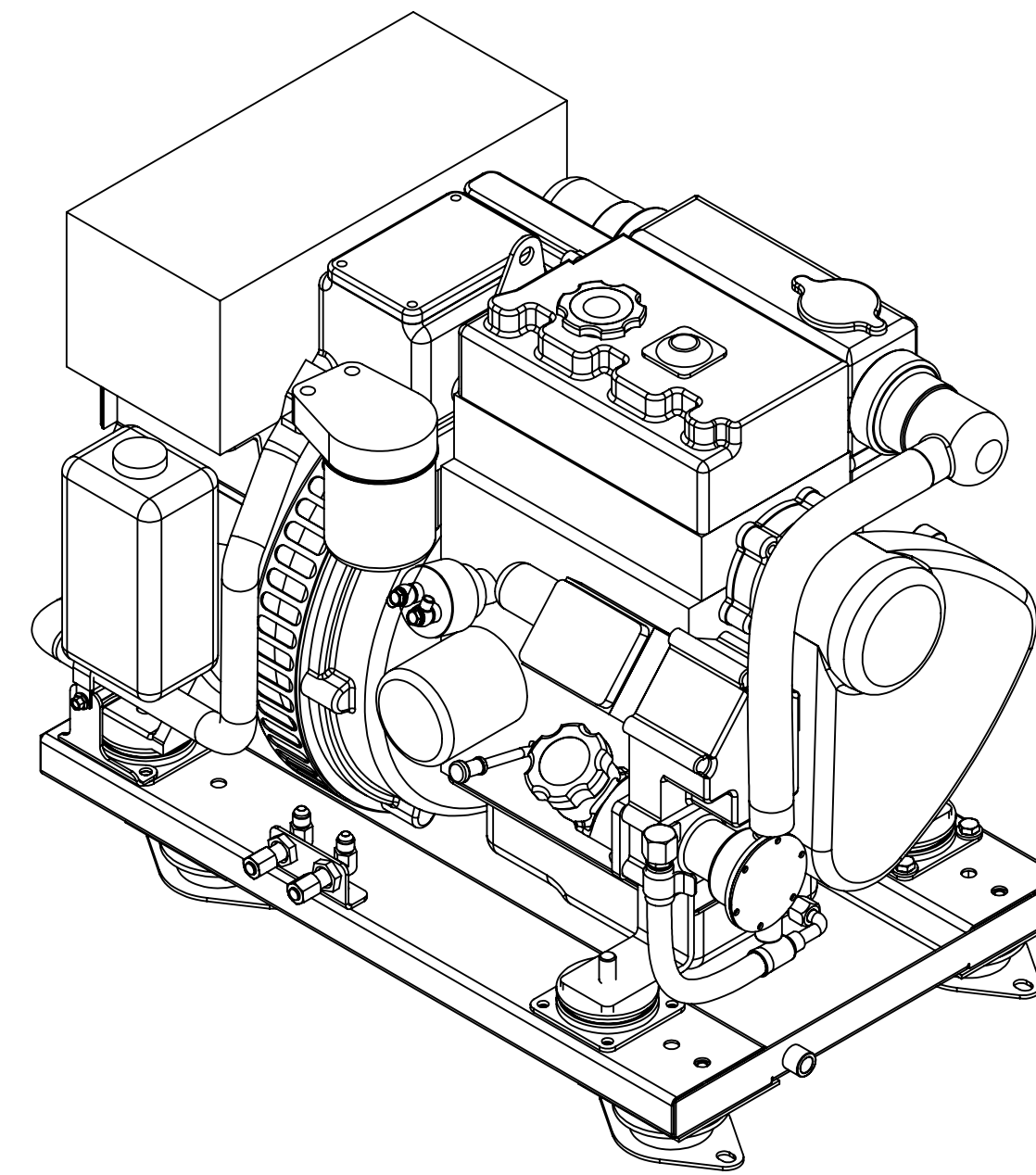
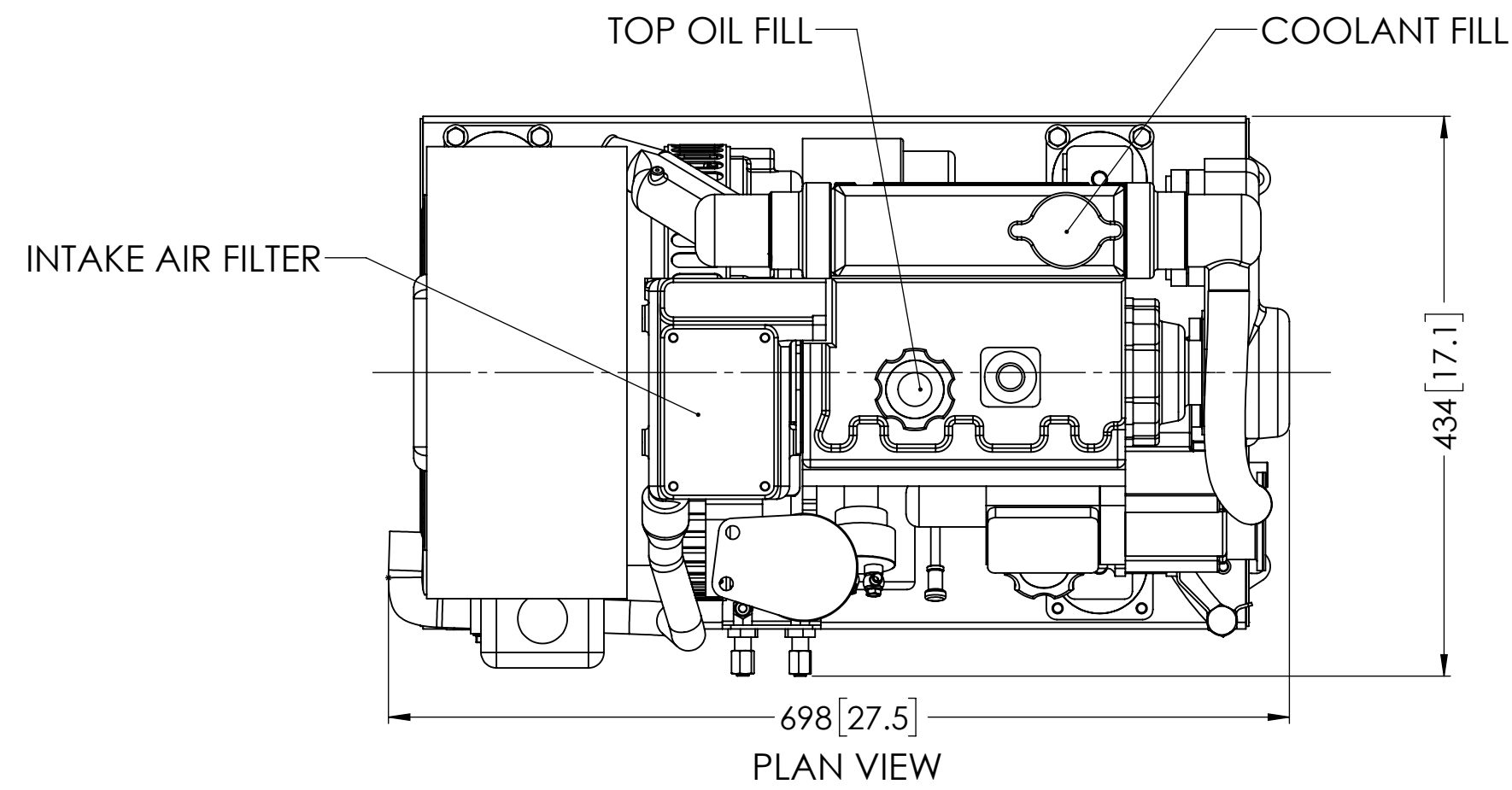
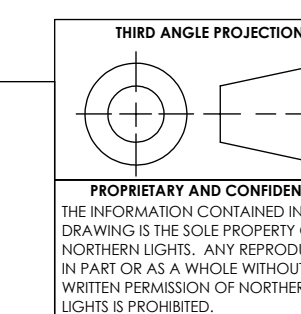


GENERATOR APPLICATION TABLE					
M673L3	6 kW	1800 RPM	1 PHASE	60 HZ.	
M673L3	5 kW	1500 RPM	1 PHASE	50 HZ.	
M673LD3	5 kW	1800 RPM	1 PHASE	60 HZ.	
M673LD3	4.5 kW	1500 RPM	1 PHASE	50 HZ.	



THE DIMENSIONS ON THIS DRAWING ARE SUBJECT TO CHANGE. PLEASE CONTACT NORTHERN LIGHTS INC. TO BE SURE YOU HAVE THE MOST CURRENT REVISION.



UNLESS OTHERWISE SPECIFIED:		NAME	DATE
DIMENSIONS ARE IN MILLIMETERS		GT	10/26/17
TOLERANCES:		CHECKED	
ANGULAR: MACH ± 0.5° BEND ± 1.0°		ENG APPR.	
X. ± 0.5		MEG APPR.	
X.X ± 0.3		G.A.	
INTERPRET GEOMETRIC TOLERANCING PER ASME Y14.5M		COMMENTS:	
MATERIAL:			
FINISH:			
DO NOT SCALE			

NORTHERN LIGHTS 4420 14th AVE. N.W. Seattle, WA 98107 (206) 789-3880 www.northern-lights.com

TITLE: **INSTALLATION DIMENSIONS M673L3, M673LD3 GEM SERIES**

SIZE	PART NO.	DWG. NO.	REV
D		D-5055	

SCALE: 1:5 WEIGHT: 168 KG [371 LBS] SHEET 1 OF 1