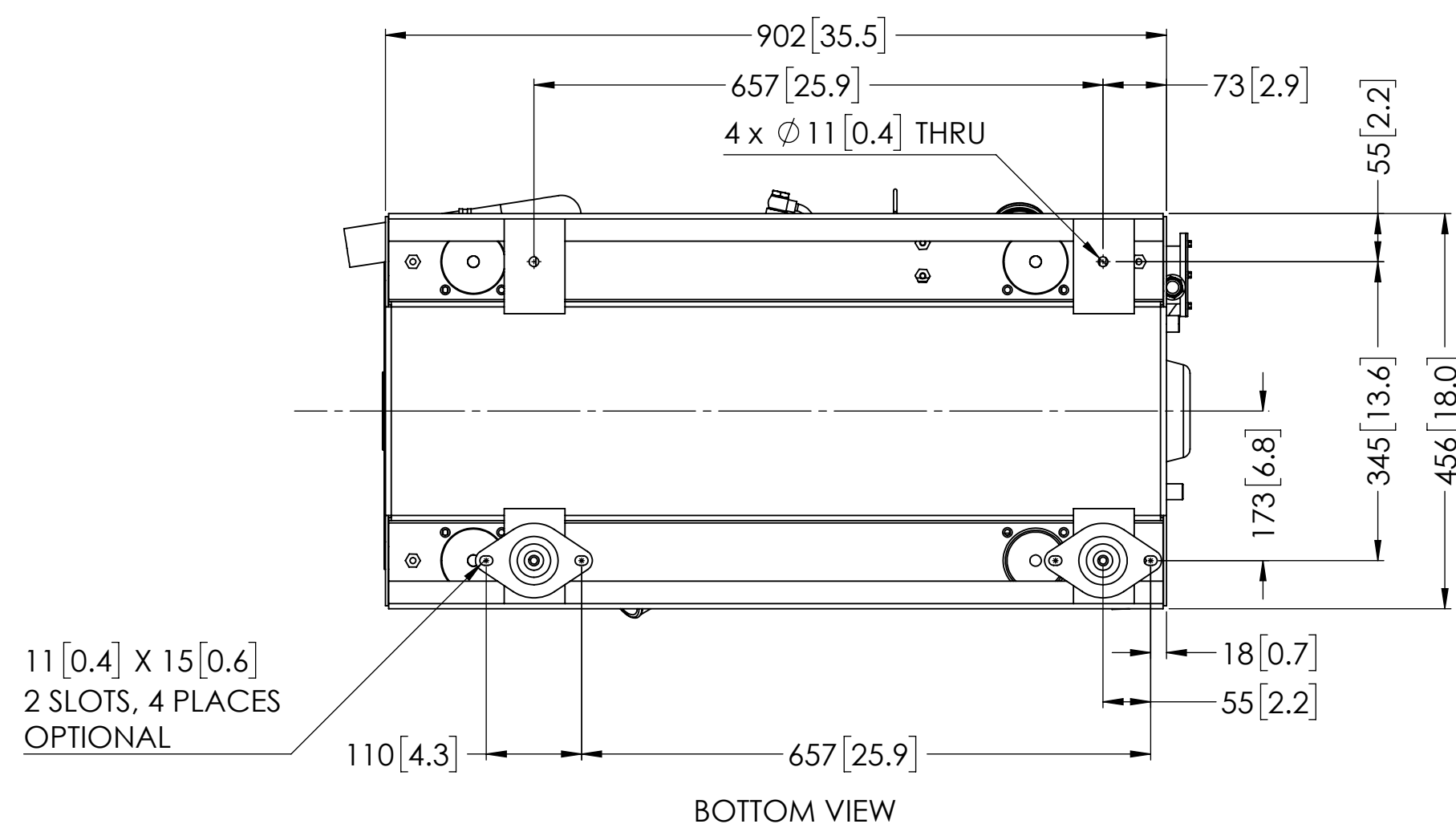
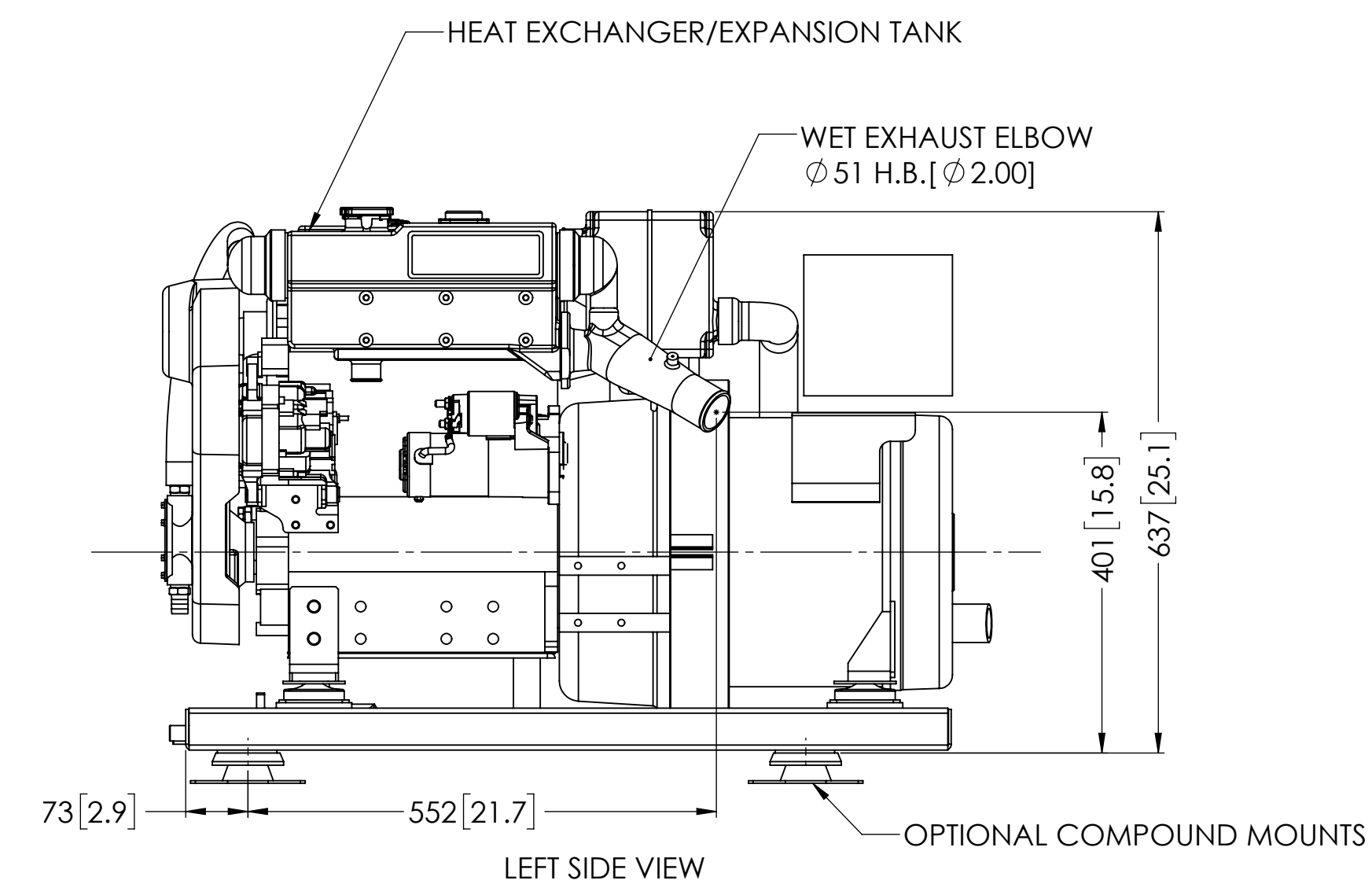
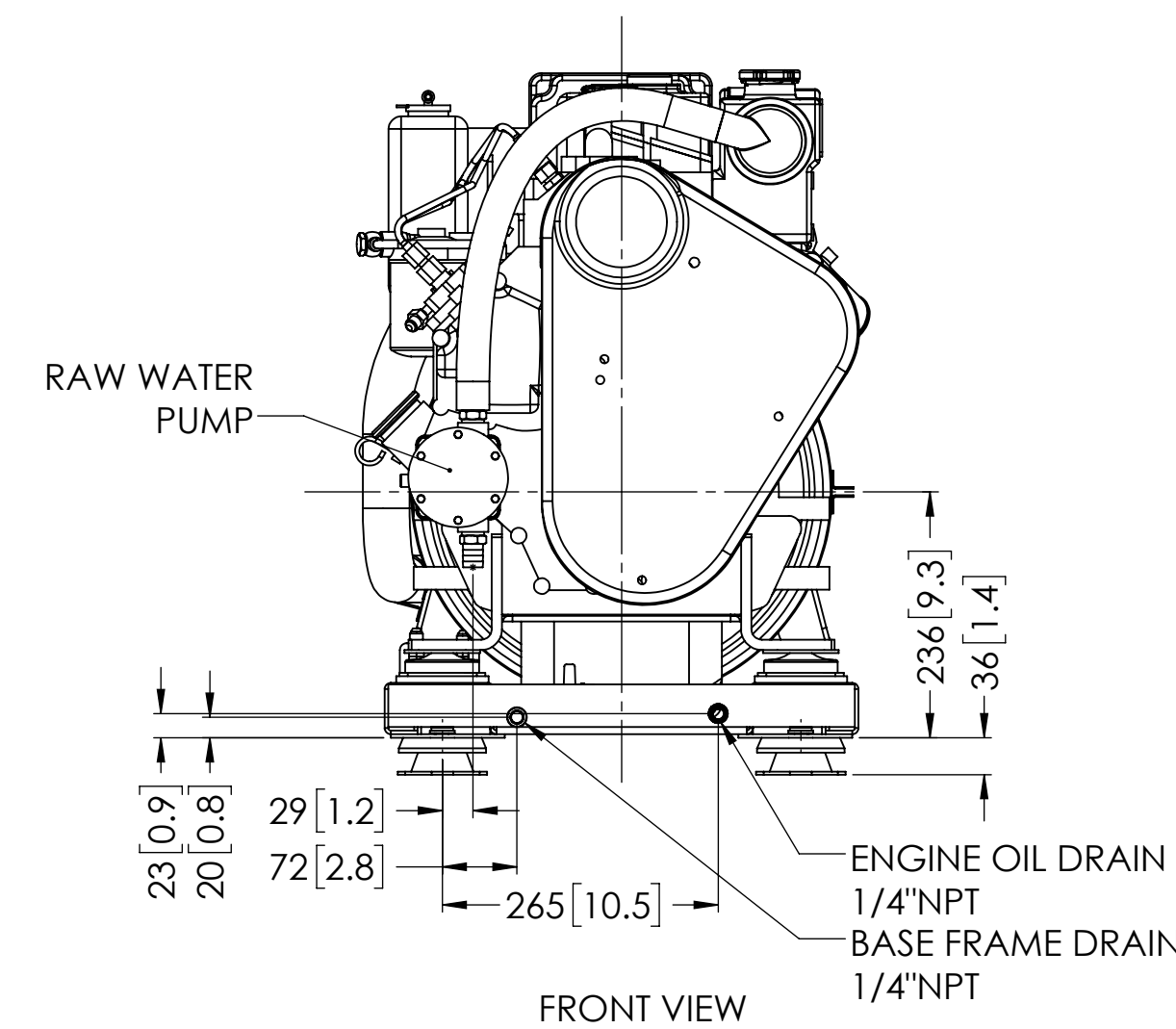
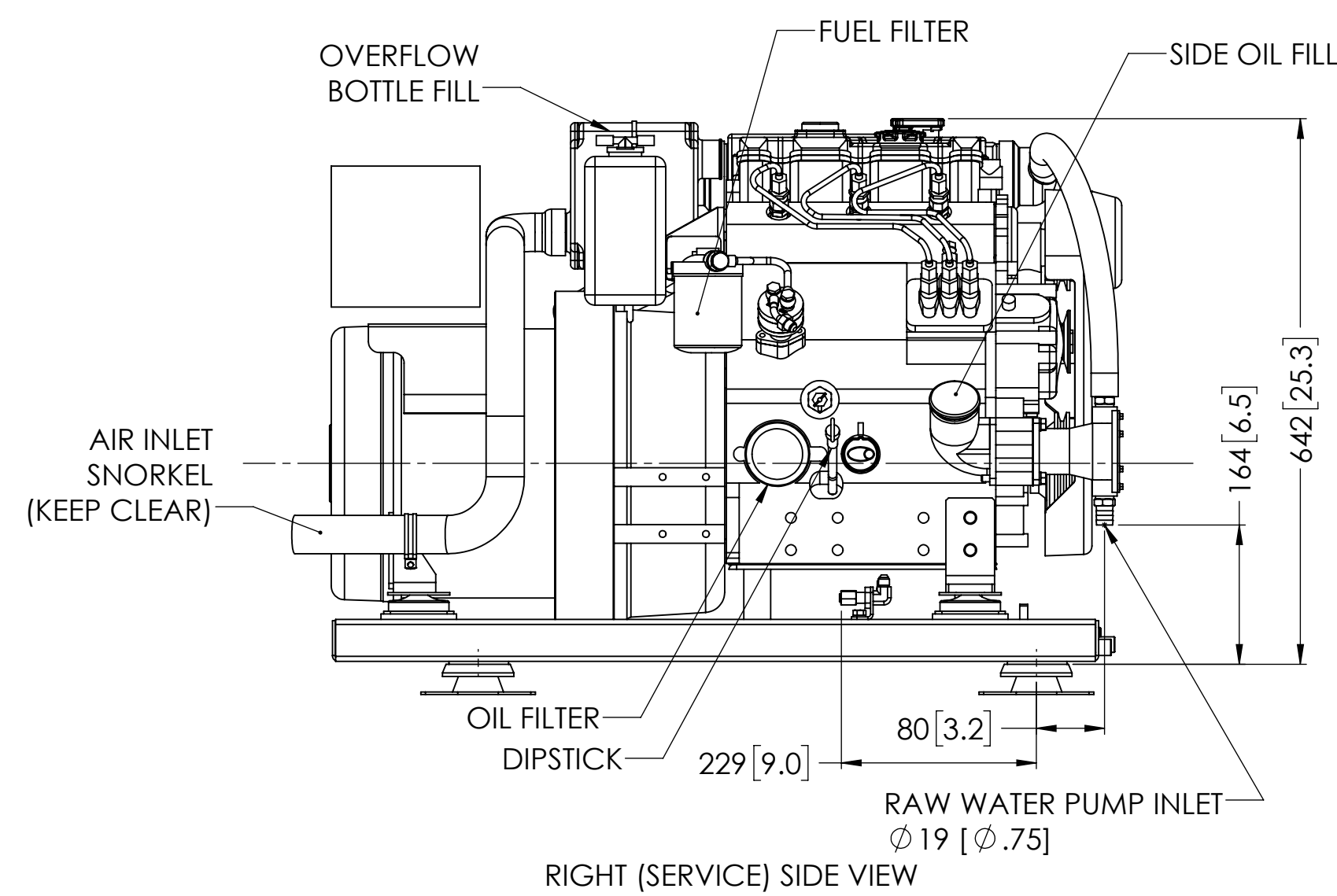
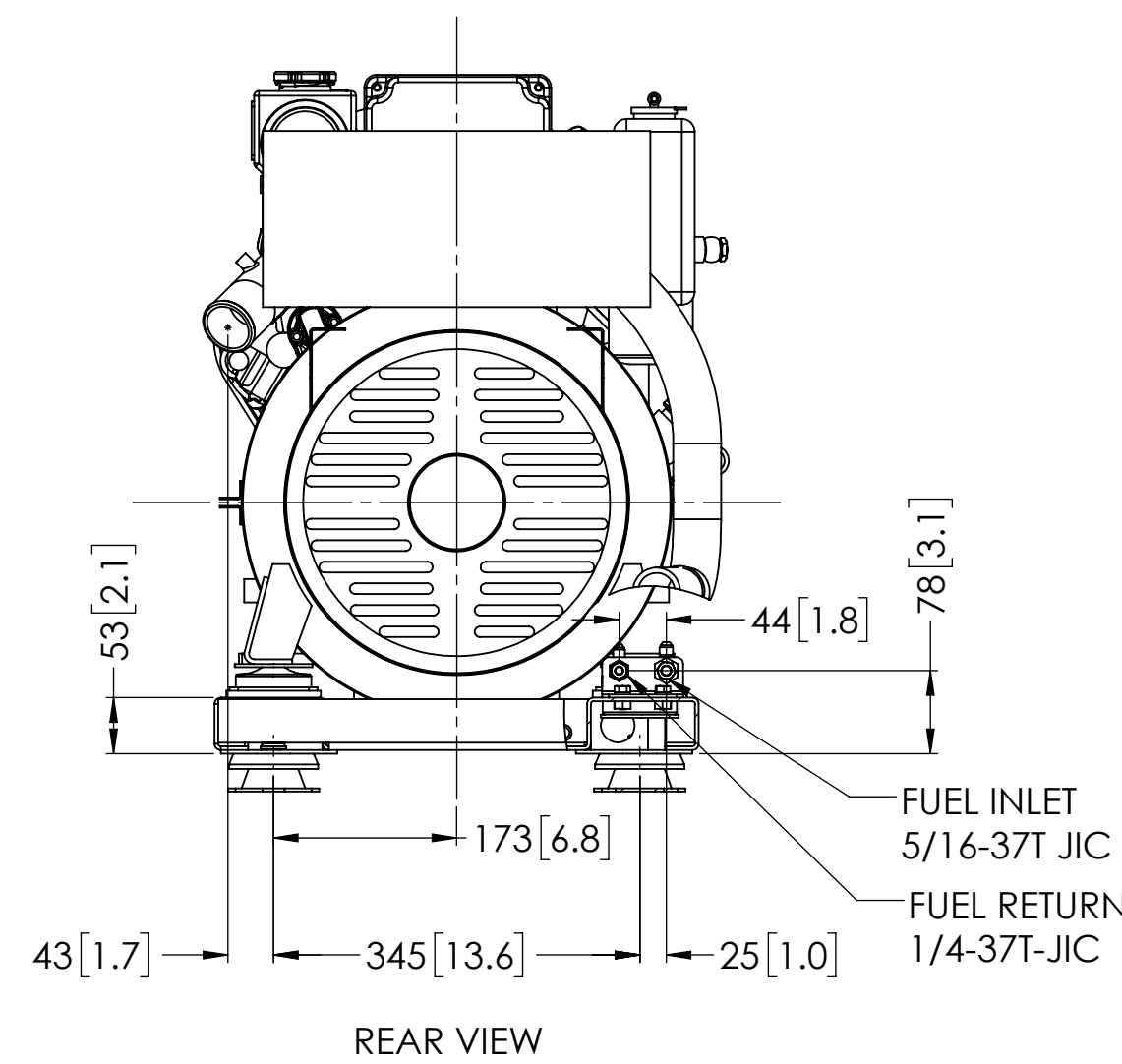
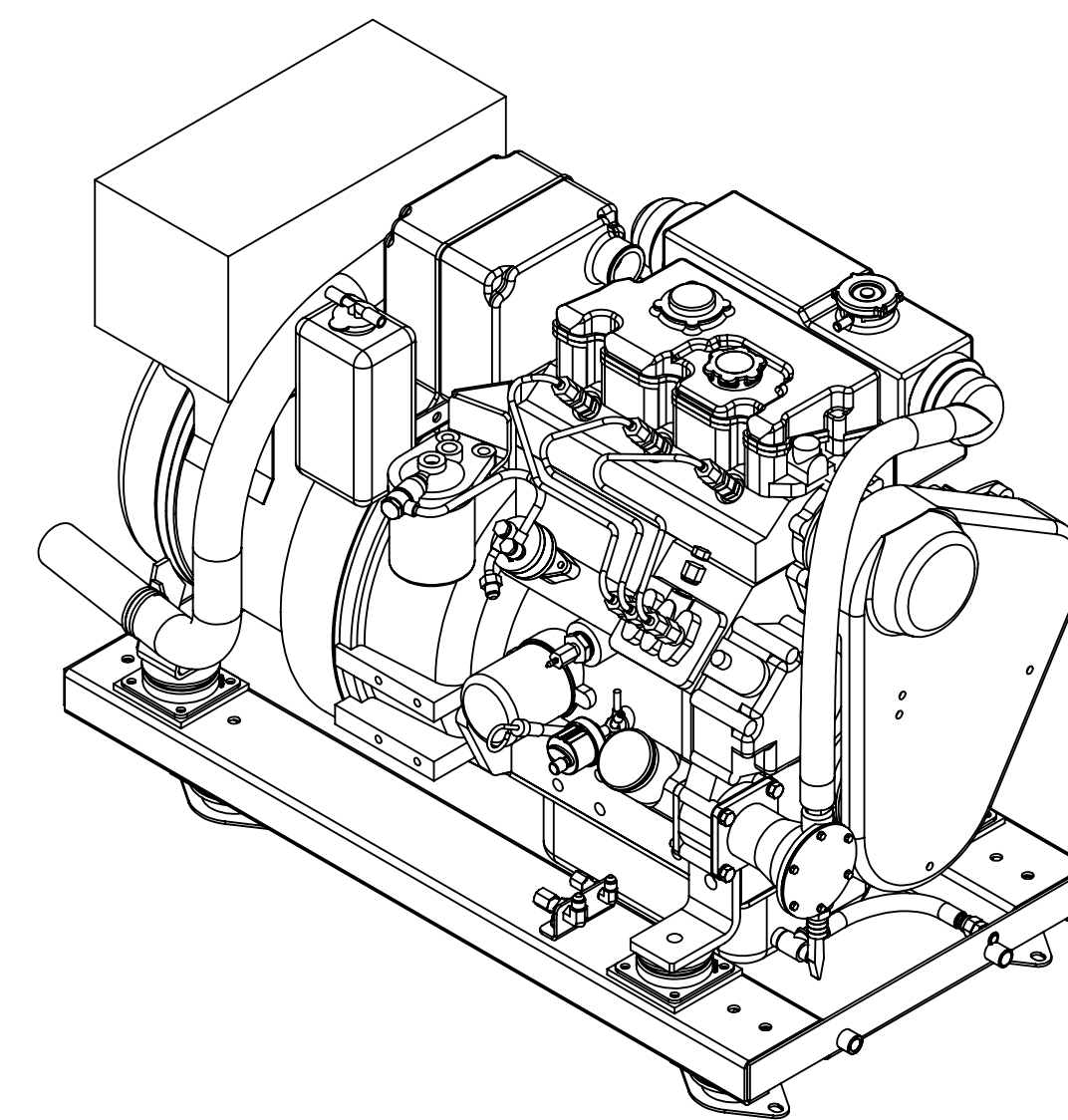
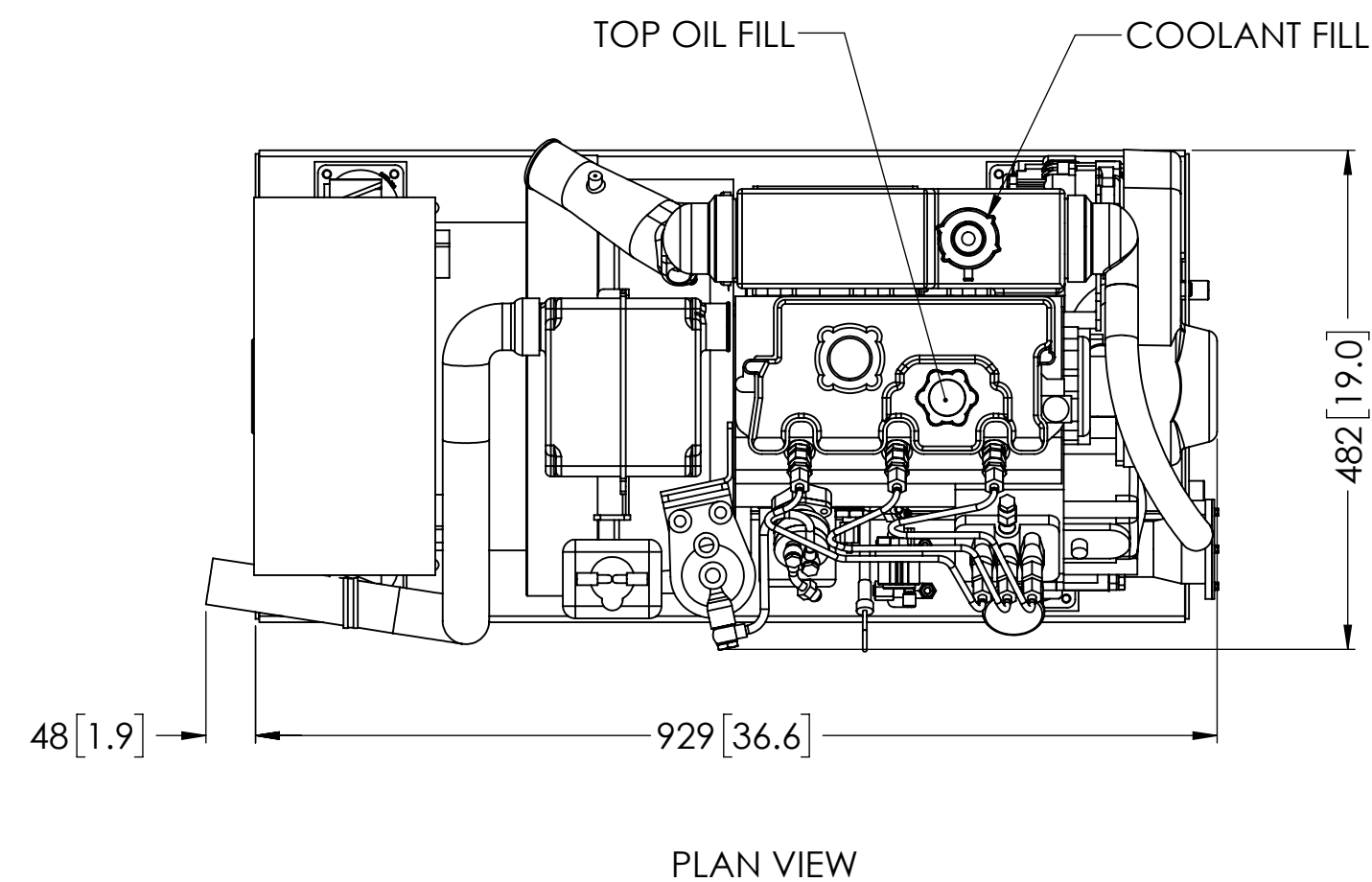
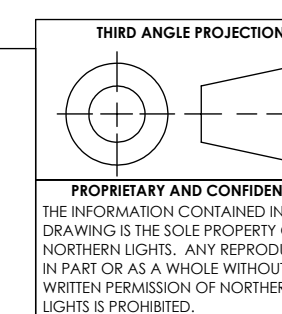


GENERATOR APPLICATION TABLE					
M843NW3	12kW	1800 RPM	3 PHASE	60 HZ	
M843NW3	12kW	1800 RPM	1 PHASE	60 HZ	
M843NW3	10kW	1500 RPM	3 PHASE	50 HZ	
M843NW3	10kW	1500 RPM	1 PHASE	50 HZ	



THE DIMENSIONS ON THIS DRAWING ARE SUBJECT TO CHANGE. PLEASE CONTACT NORTHERN LIGHTS INC. TO BE SURE YOU HAVE THE MOST CURRENT REVISION.



UNLESS OTHERWISE SPECIFIED: DIMENSIONS ARE IN MILLIMETERS TOLERANCES: ANGULAR: MACH ± 0.5° BEND ± 1.0° X ± 0.5 XX ± 0.3	NAME GT	DATE 12/12/17
INTERPRET GEOMETRIC TOLERANCING PER ASME Y14.5M	CHECKED	ENG APPR.
FINISH	ENG APPR.	Q.A.
DO NOT SCALE	COMMENTS:	

<b>NORTHERN LIGHTS</b>		4420 14th AVE. N.W. Seattle, WA 98107 (206) 789-3880 www.northern-lights.com	
TITLE: <b>INSTALLATION DIMENSIONS M843NW3 GEM SERIES</b>			
SIZE <b>D</b>	PART NO.	DWG. NO. <b>D-5064</b>	REV
SCALE: 1:7	WEIGHT: 334 kg [736 lbs]	SHEET 1 OF 1	

REV  
D  
D-5064