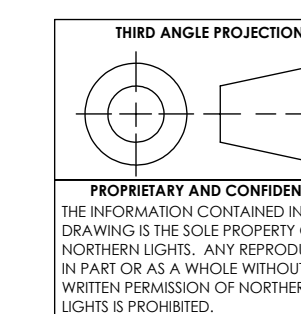


THE DIMENSIONS ON THIS DRAWING ARE SUBJECT TO CHANGE. PLEASE CONTACT NORTHERN LIGHTS INC TO BE SURE YOU HAVE THE MOST CURRENT REVISION.



UNLESS OTHERWISE SPECIFIED:		NAME	DATE
DIMENSIONS ARE IN MILLIMETERS		GT	12/13/17
TOLERANCES:		CHECKED	TAH
ANGULAR: MACH ± 0.5°		ENG APPR.	
X ± 0.5		MEG APPR.	
XX ± 0.3		G.A.	
INTERPRET GEOMETRIC TOLERANCING PER ASME Y14.5M		COMMENTS:	
MATERIAL:			
FINISH:			
DO NOT SCALE			

		4420 14th AVE. N.W. Seattle, WA 98107 (206) 789-3880 www.northern-lights.com	
		INSTALLATION DIMENSIONS M843NW3 GEM SERIES SOUND SHIELDS	
SIZE	PART NO.	DWG. NO.	REV
D	06-73100	D-5066	
SCALE: 1:6	WEIGHT:	SHEET 1 OF 1	

D-5066