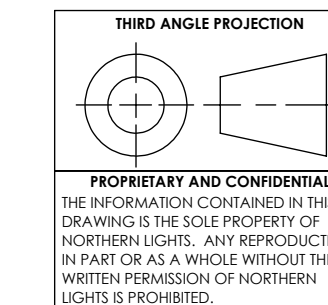
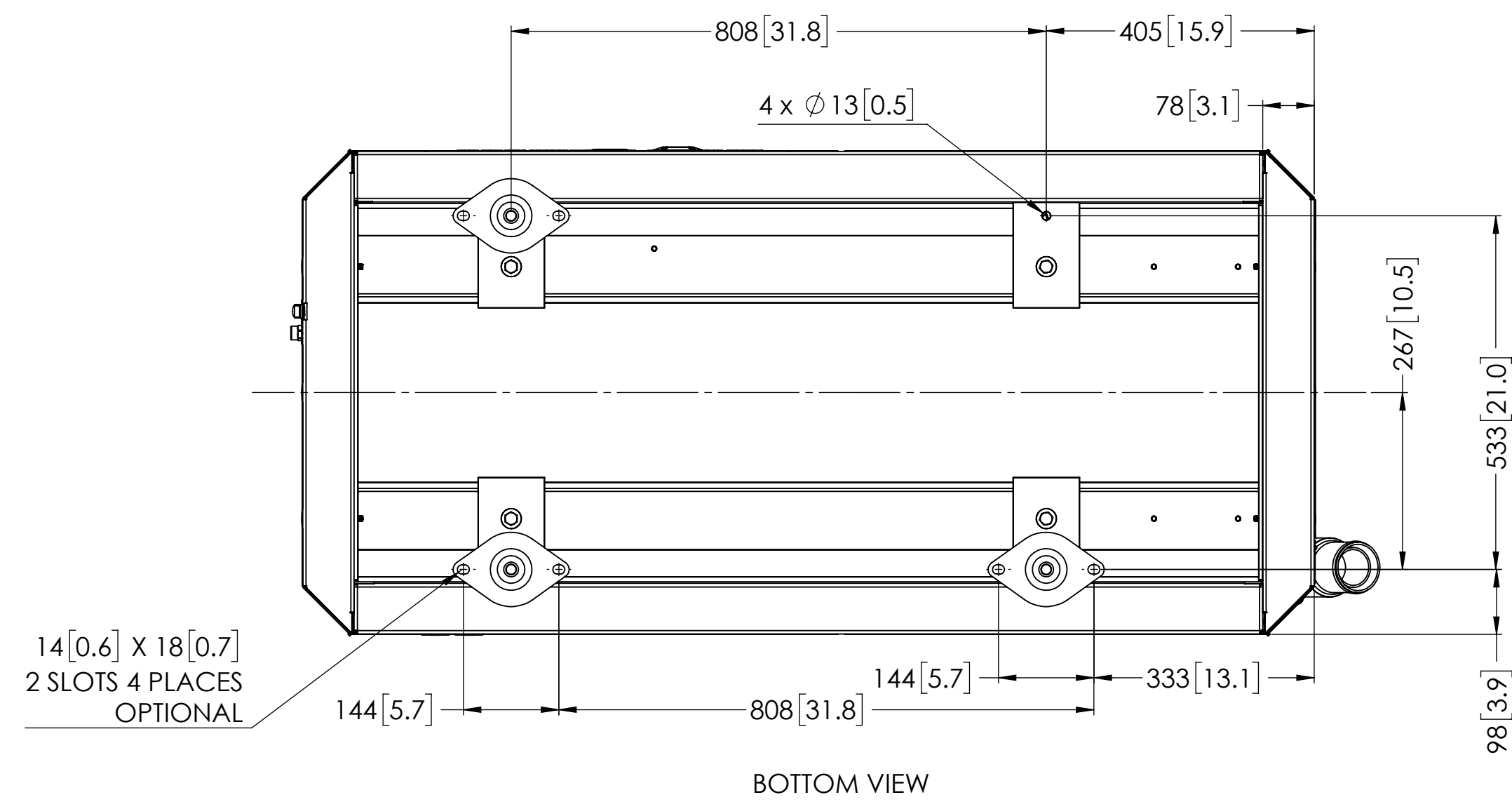
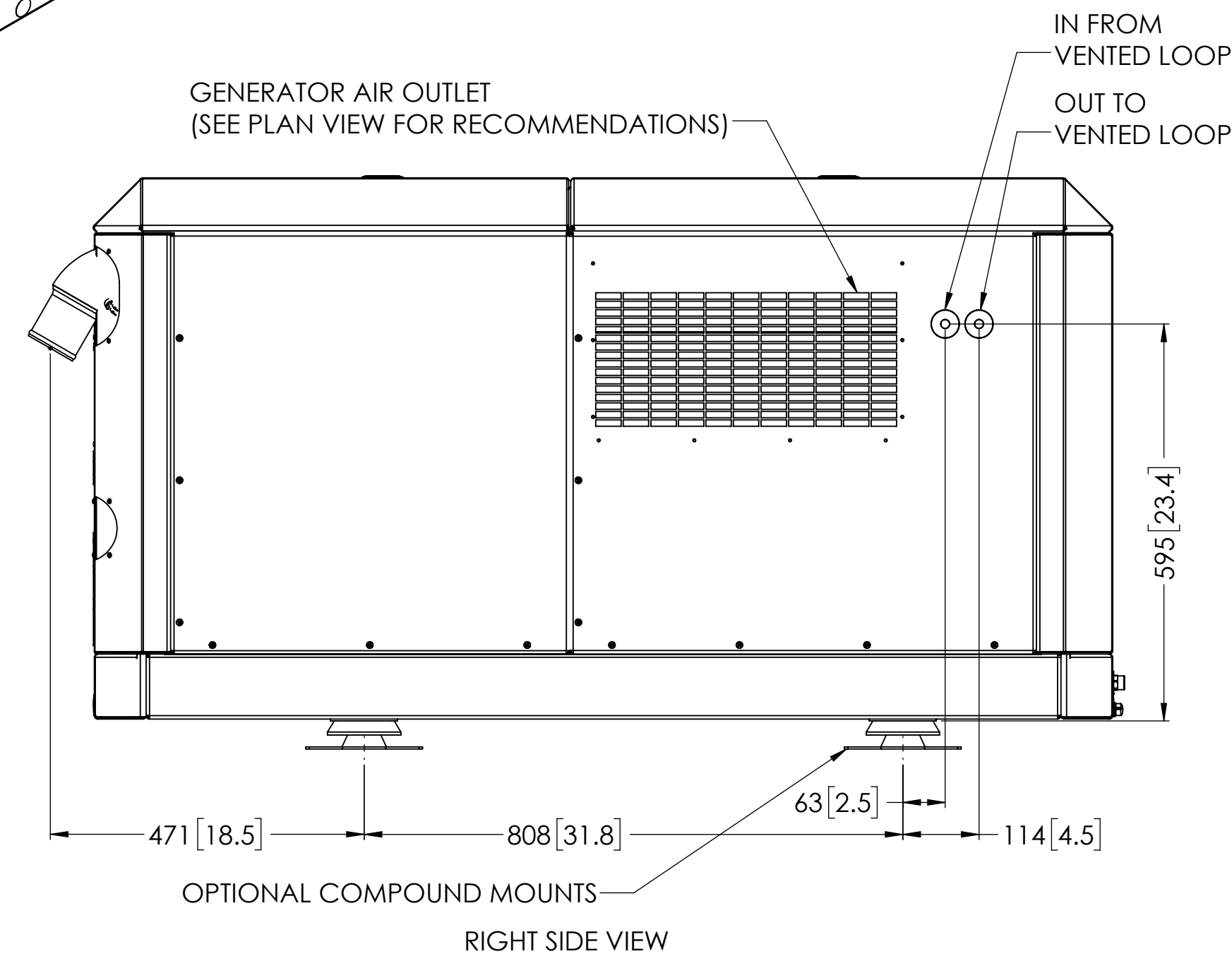
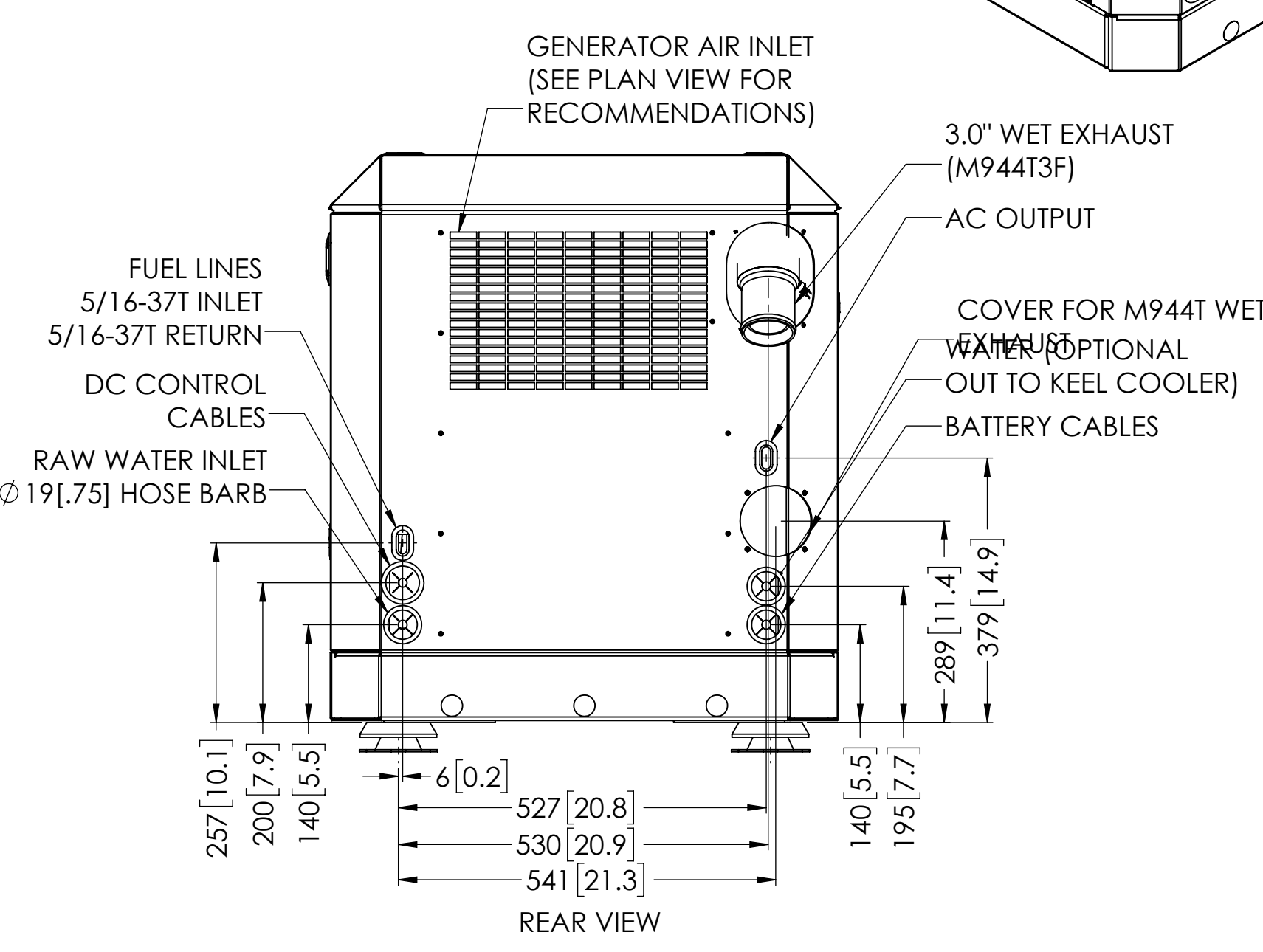
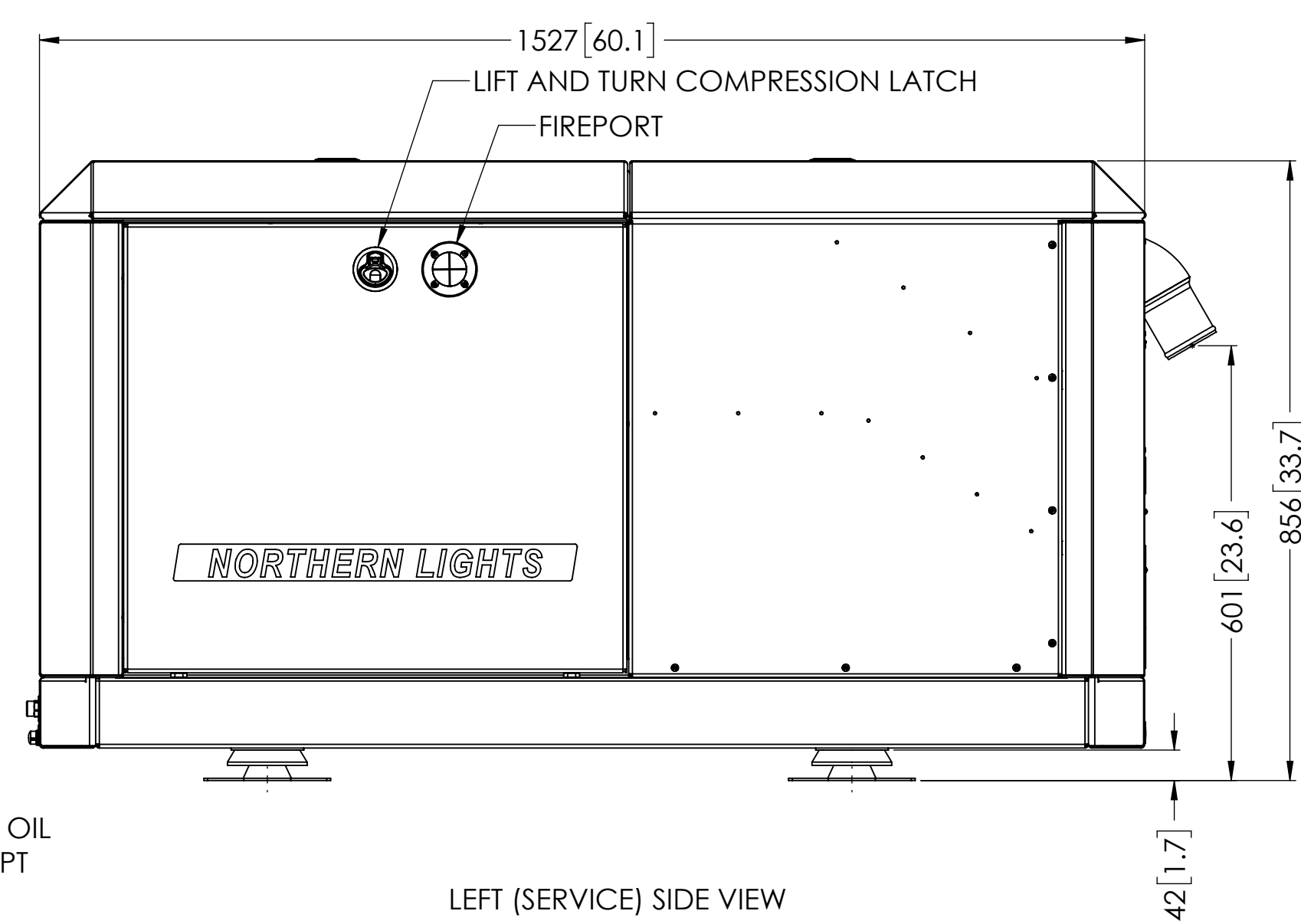
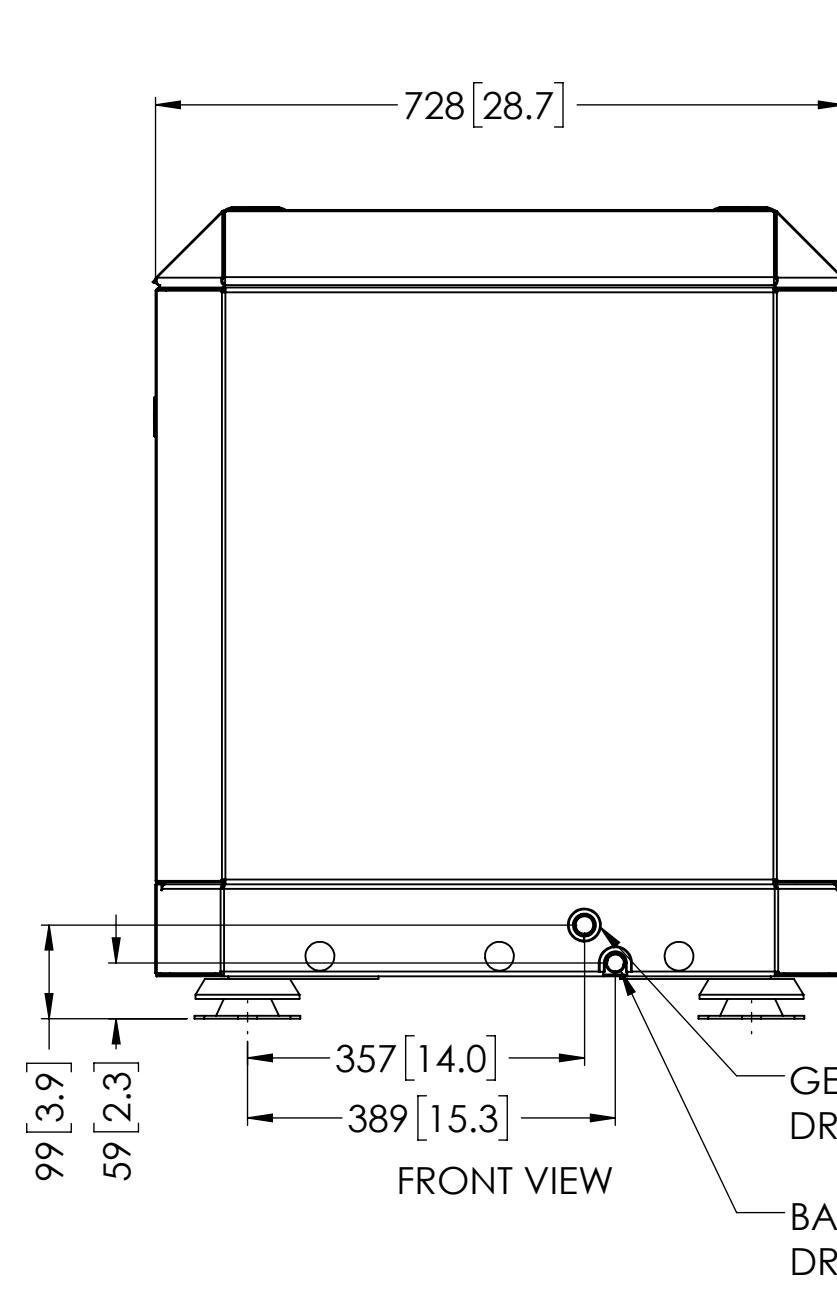
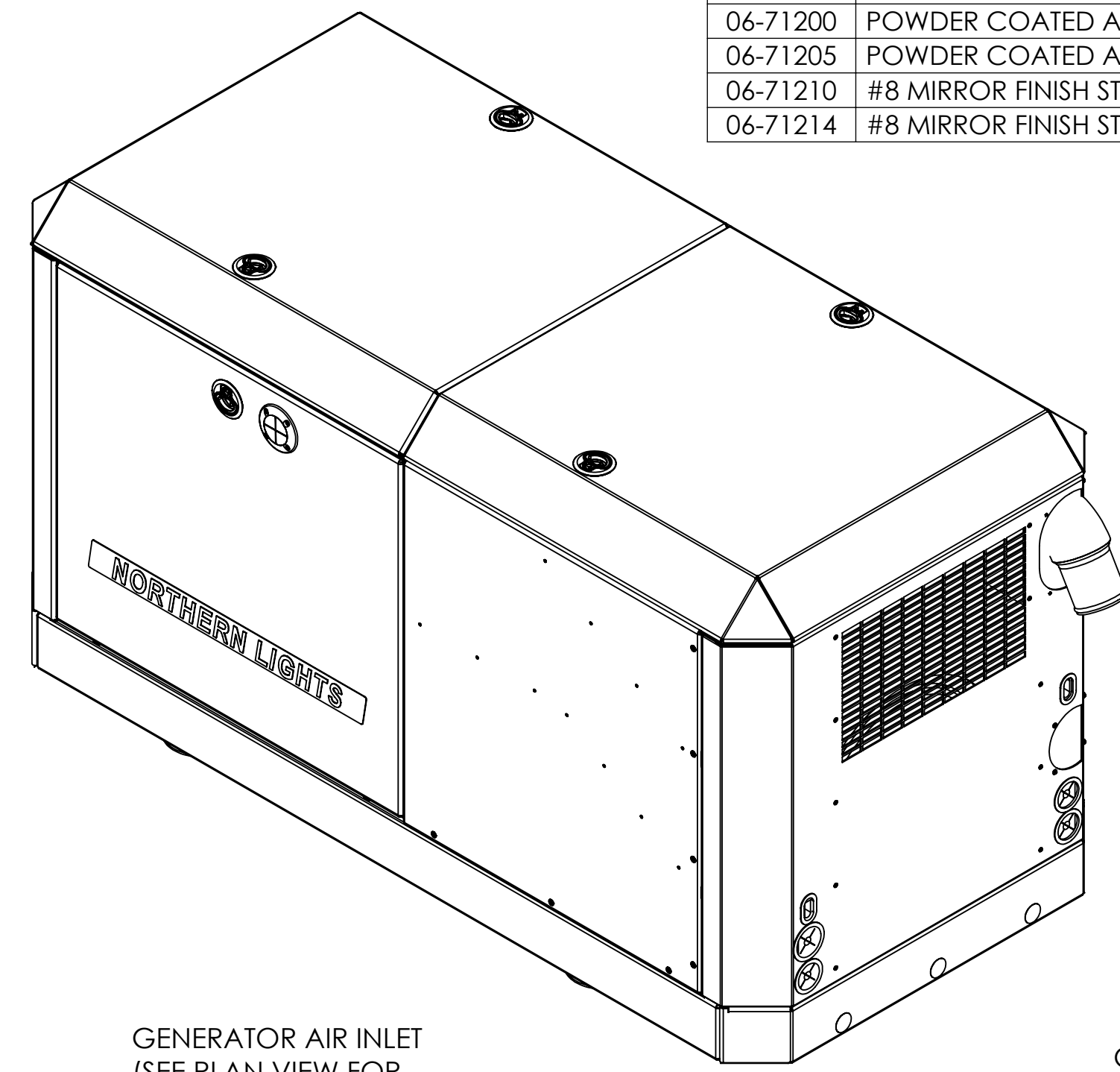
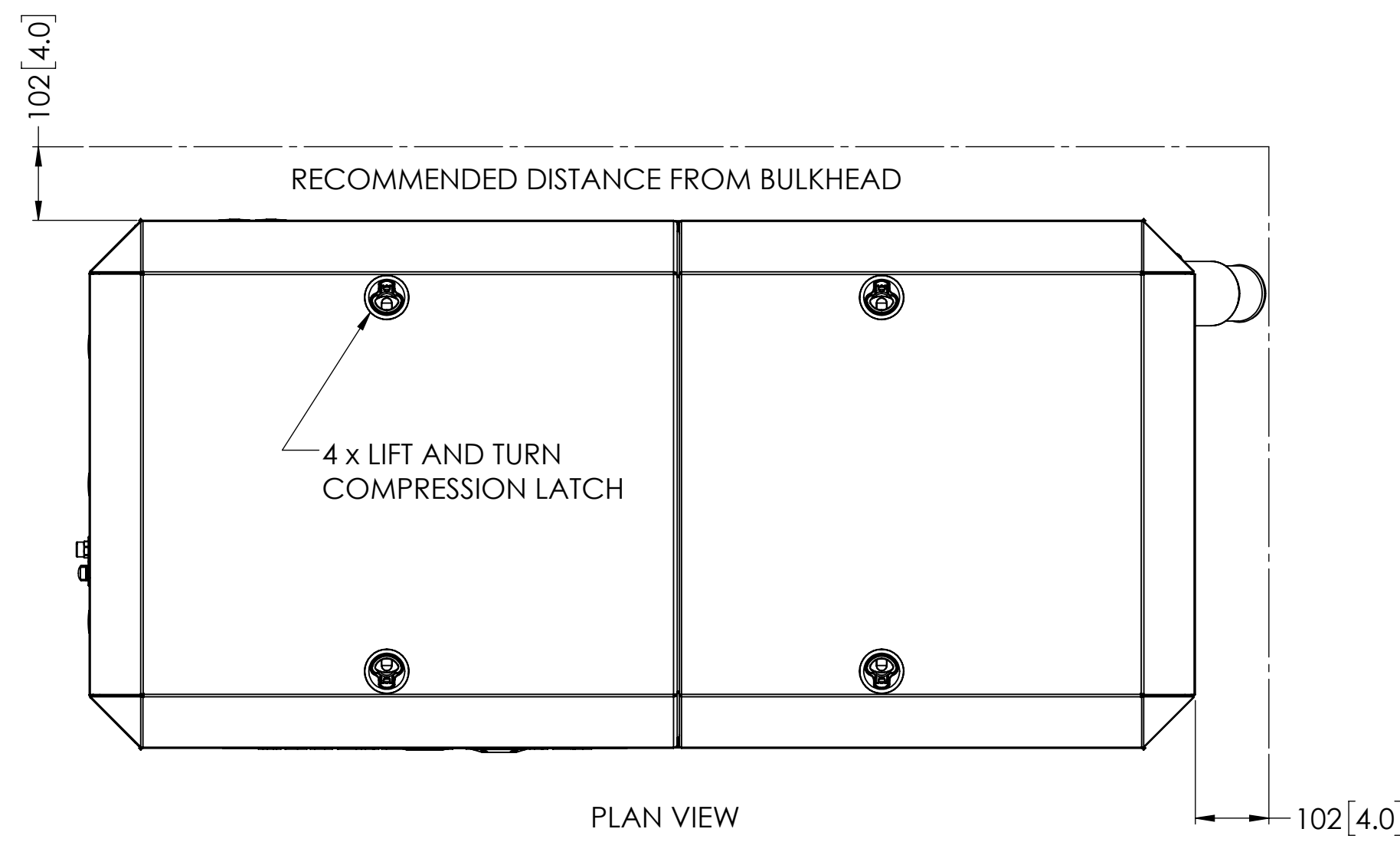


P/N	DESCRIPTION	WEIGHT W/O GENSET	WEIGHT W/ GENSET
06-71200	POWDER COATED ALUMINUM, STANDARD INSULATION	52.84KG [116.49LBS]	682.38KG [1504.39LBS]
06-71205	POWDER COATED ALUMINUM, CLASSED INSULATION	62.41KG [137.59LBS]	691.95KG [1525.49LBS]
06-71210	#8 MIRROR FINISH STAINLESS STEEL, STANDARD INSULATION	67.43KG [148.66LBS]	696.97KG [1536.56LBS]
06-71214	#8 MIRROR FINISH STAINLESS STEEL, CLASSED INSULATION	76.99KG [169.75LBS]	706.53KG [1557.65LBS]



UNLESS OTHERWISE SPECIFIED:		NAME	DATE
DIMENSIONS ARE IN MILLIMETERS		GT	5/3/18
TOLERANCES:		CHECKED	
ANGULAR: MACH ± 0.5° BEND ± 1.0°		ENG APPR.	
X ± 0.3		MEG APPR.	
XX ± 0.3		G.A.	
INTERPRET GEOMETRIC TOLERANCING PER ASME Y14.5M		COMMENTS:	
MATERIAL:			
FINISH:			
DO NOT SCALE			

**NORTHERN LIGHTS**

4420 14th AVE. N.W.  
Seattle, WA 98107  
(206) 789-3880  
www.northern-lights.com

TITLE: **INSTALLATION DIMENSIONS M944T/T3F GEM SERIES SOUND SHIELD**

SIZE	PART NO.	DWG. NO.	REV
<b>D</b>	<b>SEE TABLE</b>	<b>D-5098</b>	

SCALE: 1:10 WEIGHT: SHEET 1 OF 1

REV D-5098