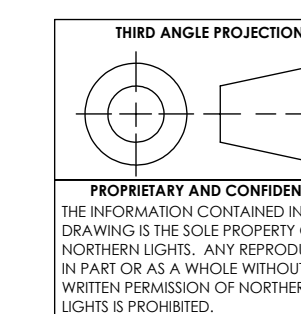


THE DIMENSIONS ON THE DRAWING ARE SUBJECT TO CHANGE. PLEASE CONTACT NORTHERN LIGHTS INC TO BE SURE YOU HAVE THE MOST CURRENT REVISION.



UNLESS OTHERWISE SPECIFIED:	NAME	DATE
DIMENSIONS ARE IN MILLIMETERS	GT	5/16/18
TOLERANCES:	CHECKED	
ANGULAR: MACH ± 0.5°	ENG APPR.	
X ± 0.5	MEG APPR.	
.XX ± 0.3	G.A.	
INTERPRET GEOMETRIC TOLERANCING PER ASME Y14.5M	COMMENTS:	
MATERIAL:		
FINISH:		
DO NOT SCALE		

NORTHERN LIGHTS		4420 14th AVE. N.W. Seattle, WA 98107 (206) 789-3880 www.northern-lights.com	
TITLE: INSTALLATION DIMENSIONS M844LW3 GEM SERIES SOUND SHIELD			
SIZE	PART NO.	DWG. NO.	REV
D	06-78100	D-5103	
SCALE: 1:5	WEIGHT:	SHEET 1 OF 1	

REV
D
D-5103