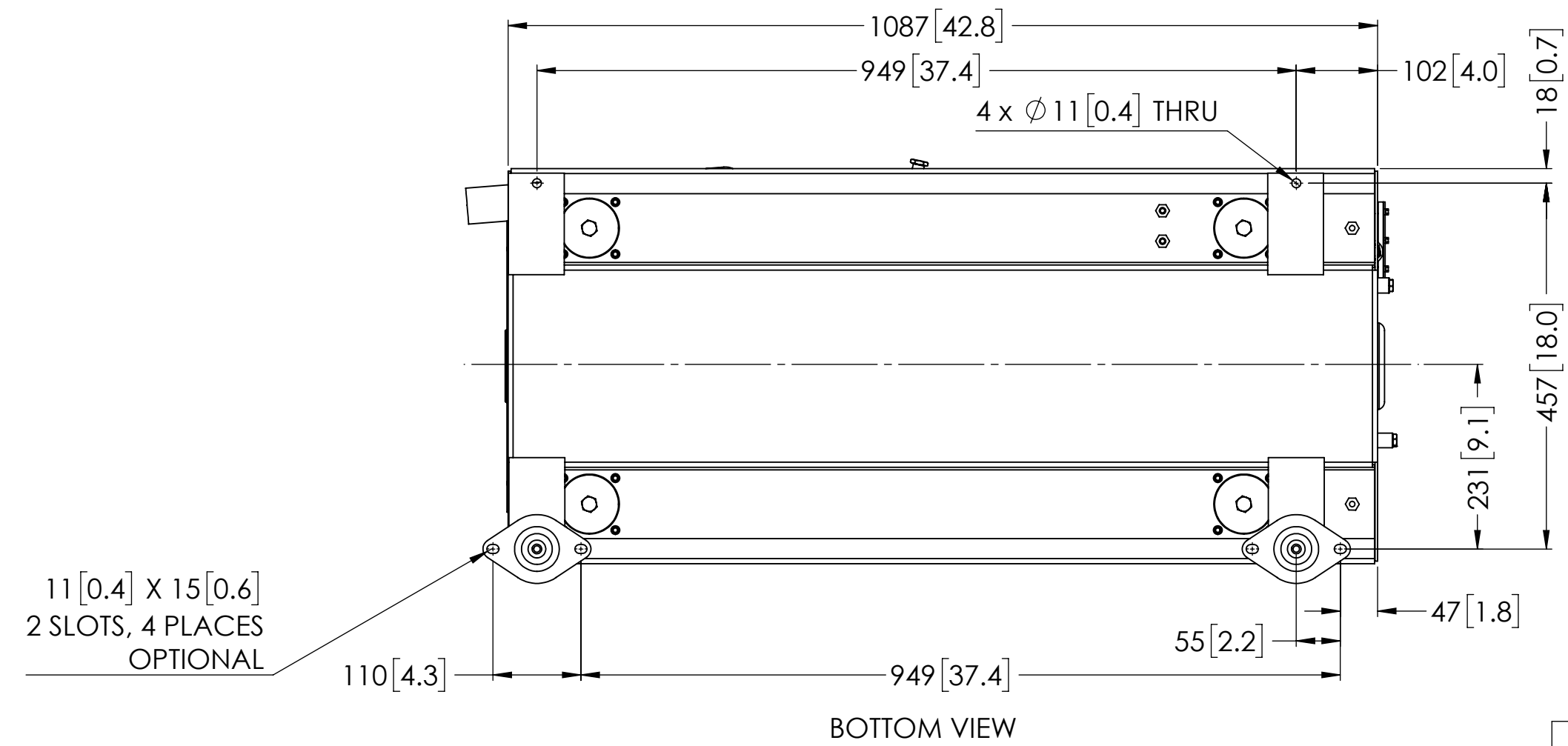
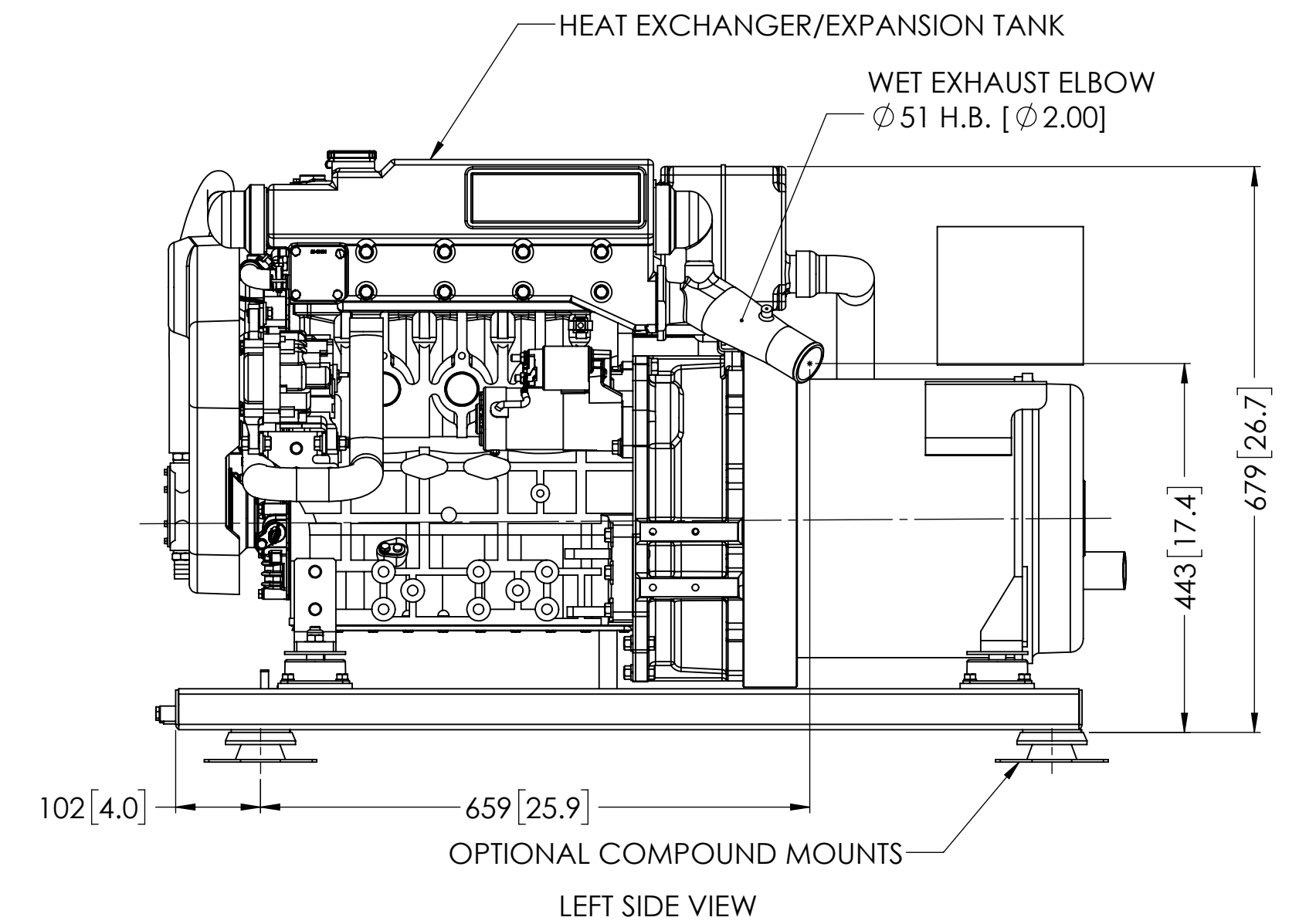
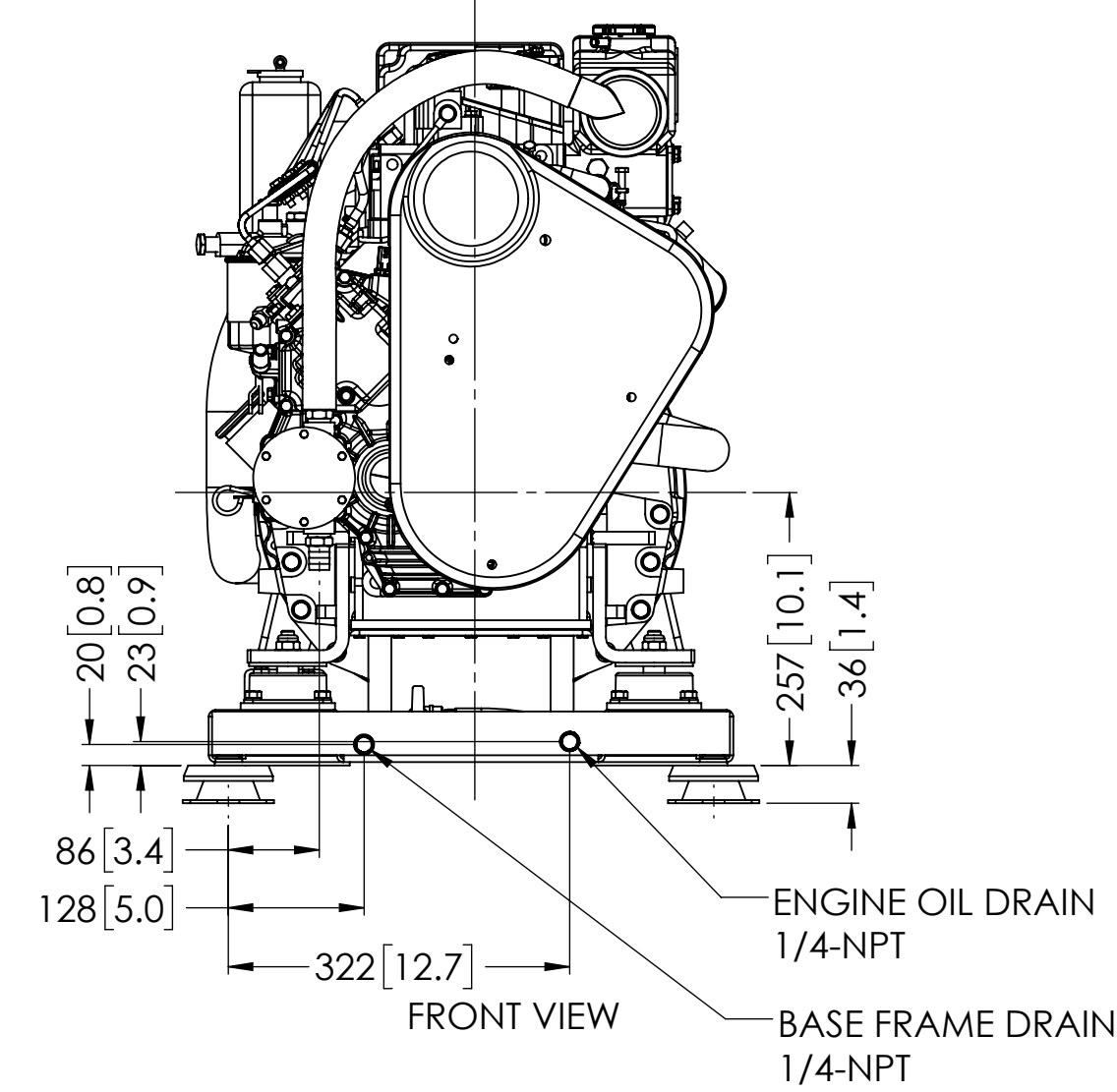
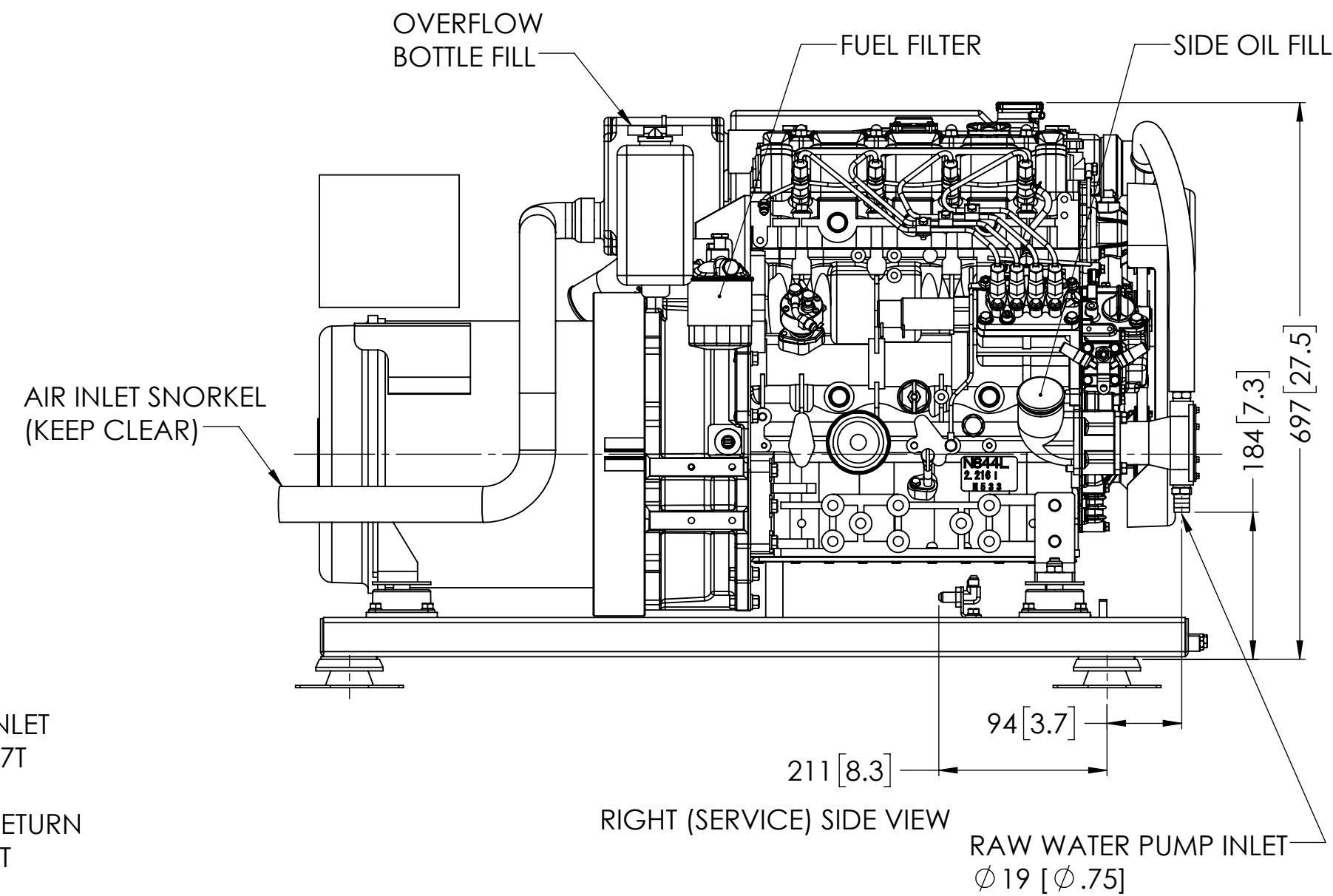
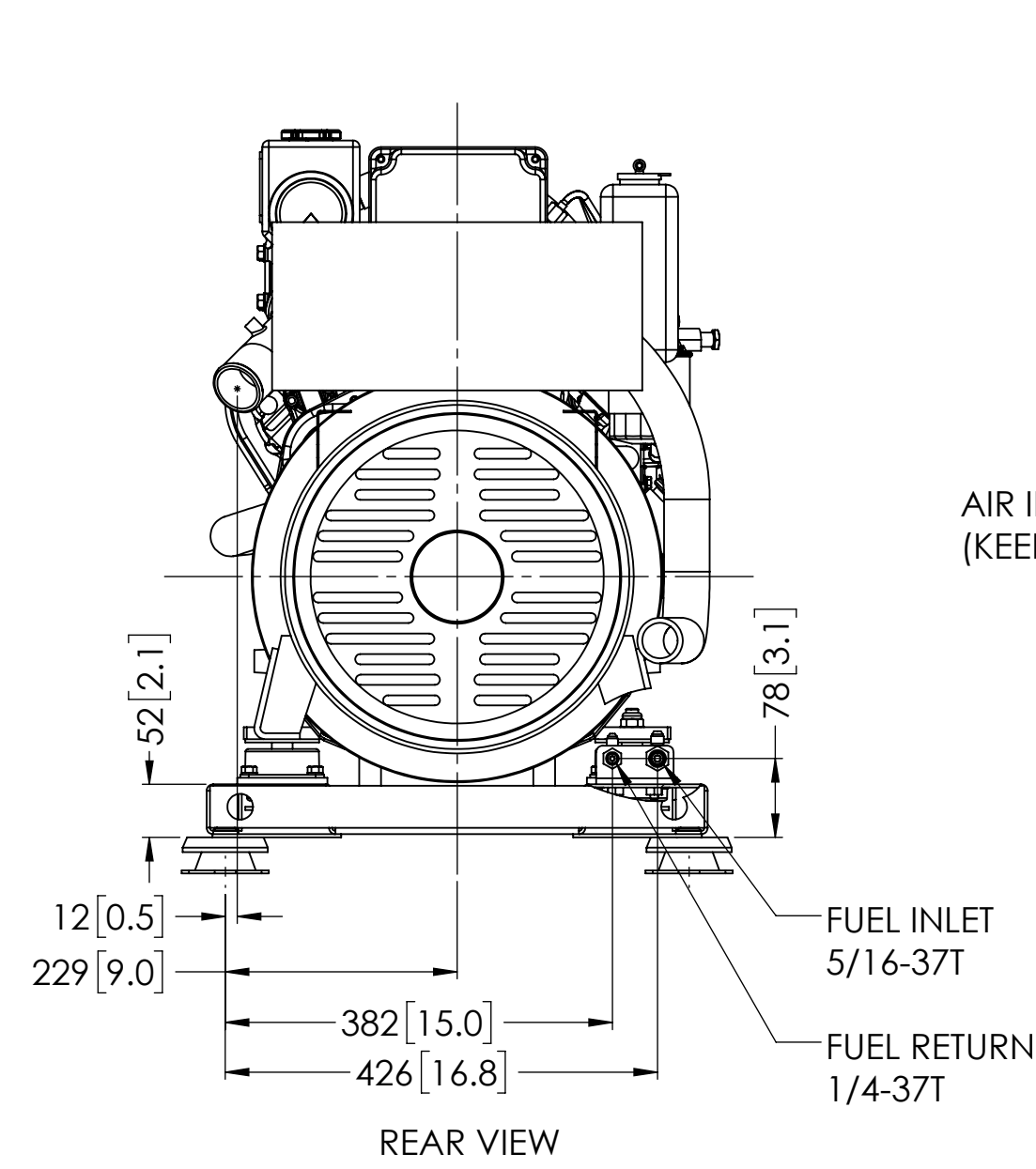
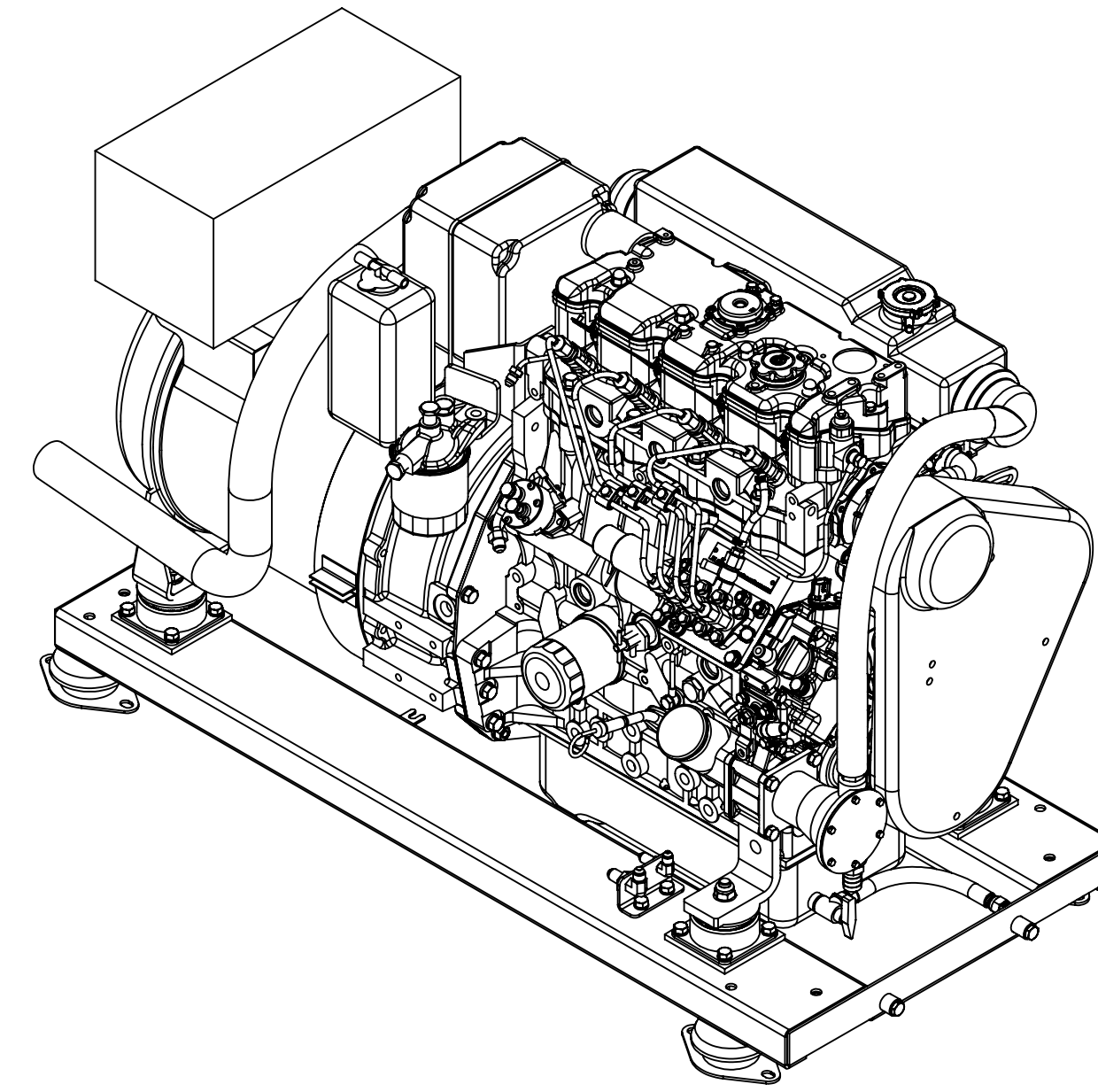
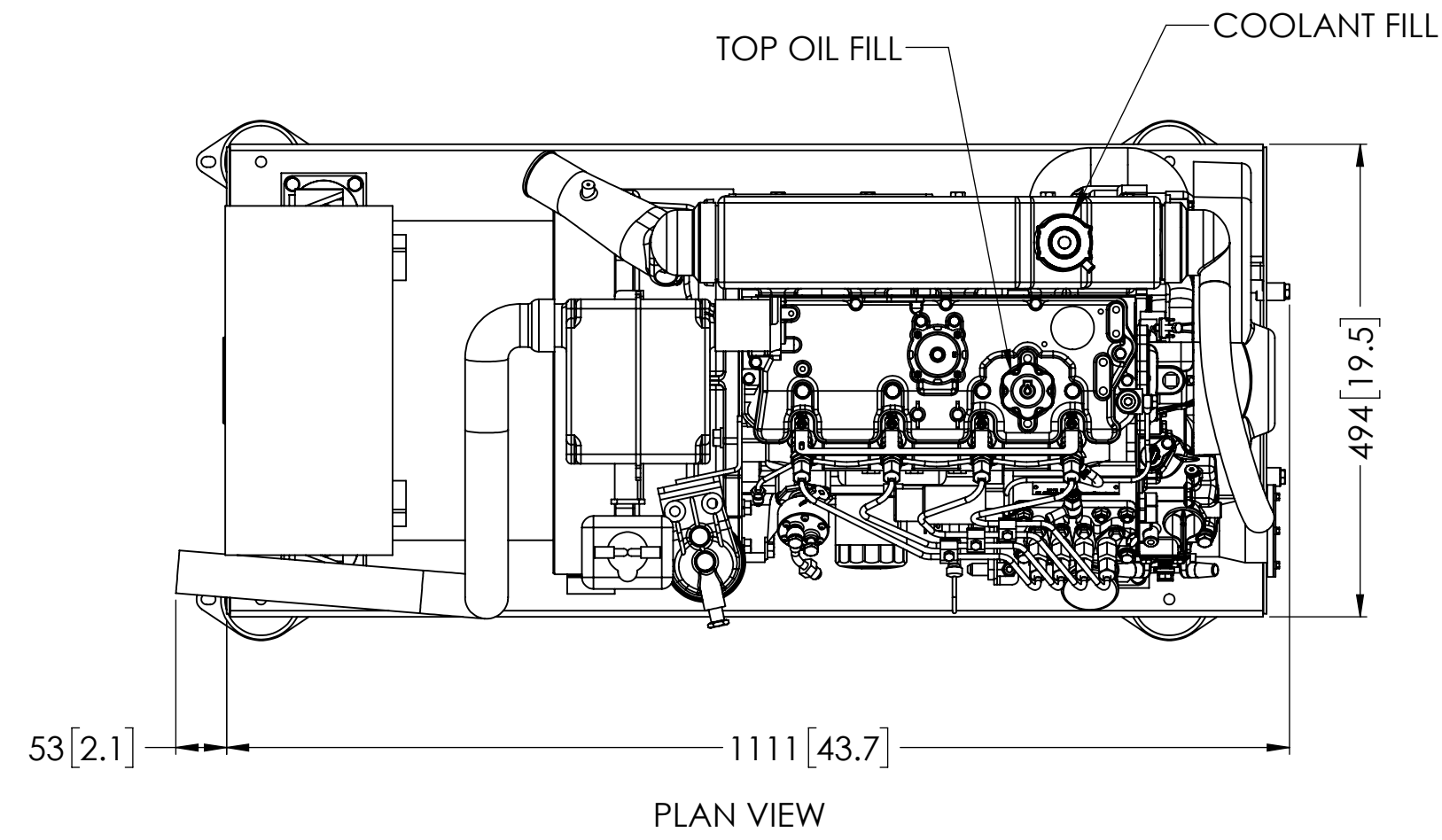
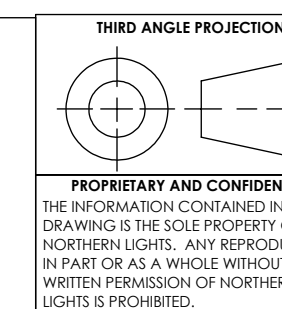


GENERATOR APPLICATION TABLE					
M844LW3	20 KW	1800 RPM	3 PHASE	60 HZ	
M844LW3	20 KW	1800 RPM	1 PHASE	60 HZ	
M844LW3	16 KW	1500 RPM	3 PHASE	50 HZ	
M844LW3	16 KW	1500 RPM	1 PHASE	50 HZ	
M844DW3	16 KW	1800 RPM	3 PHASE	60 HZ	
M844DW3	16 KW	1800 RPM	1 PHASE	60 HZ	
M844DW3	14 KW	1500 RPM	3 PHASE	50 HZ	
M844DW3	14 KW	1500 RPM	1 PHASE	50 HZ	



THE DIMENSIONS ON THIS DRAWING ARE SUBJECT TO CHANGE. PLEASE CONTACT NORTHERN LIGHTS INC. TO BE SURE YOU HAVE THE MOST CURRENT REVISION.



UNLESS OTHERWISE SPECIFIED: DIMENSIONS ARE IN MILLIMETERS TOLERANCES: ANGULAR: MACH ± 0.5° BEND ± 1.0° X ± 0.5 XX ± 0.3 INTERPRET GEOMETRIC TOLERANCING PER ASME Y14.5M MATERIAL: FINISH: DO NOT SCALE	<table border="1"> <tr> <th>NAME</th> <th>DATE</th> </tr> <tr> <td>GT</td> <td>5/16/18</td> </tr> <tr> <td>CHECKED</td> <td></td> </tr> <tr> <td>ENG APPR.</td> <td></td> </tr> <tr> <td>MEG APPR.</td> <td></td> </tr> <tr> <td>G.A.</td> <td></td> </tr> <tr> <td>COMMENTS:</td> <td></td> </tr> </table>	NAME	DATE	GT	5/16/18	CHECKED		ENG APPR.		MEG APPR.		G.A.		COMMENTS:	
NAME	DATE														
GT	5/16/18														
CHECKED															
ENG APPR.															
MEG APPR.															
G.A.															
COMMENTS:															

		4420 14th AVE. N.W. Seattle, WA 98107 (206) 789-3880 www.northern-lights.com	
		<b>INSTALLATION DIMENSIONS</b> <b>M844LW3.G</b>	
SIZE	PART NO.	DWG. NO.	REV
<b>D</b>		<b>D-5104</b>	
SCALE: 1:10	WEIGHT:	SHEET 1 OF 1	

D-5104