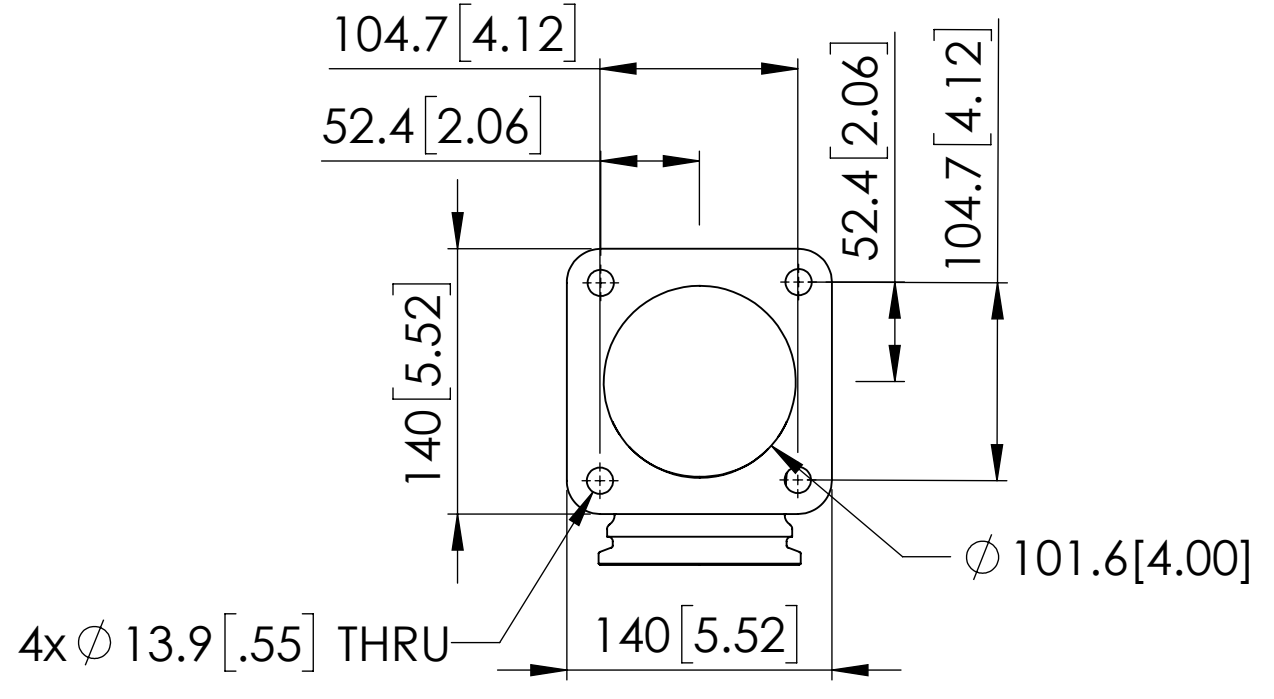
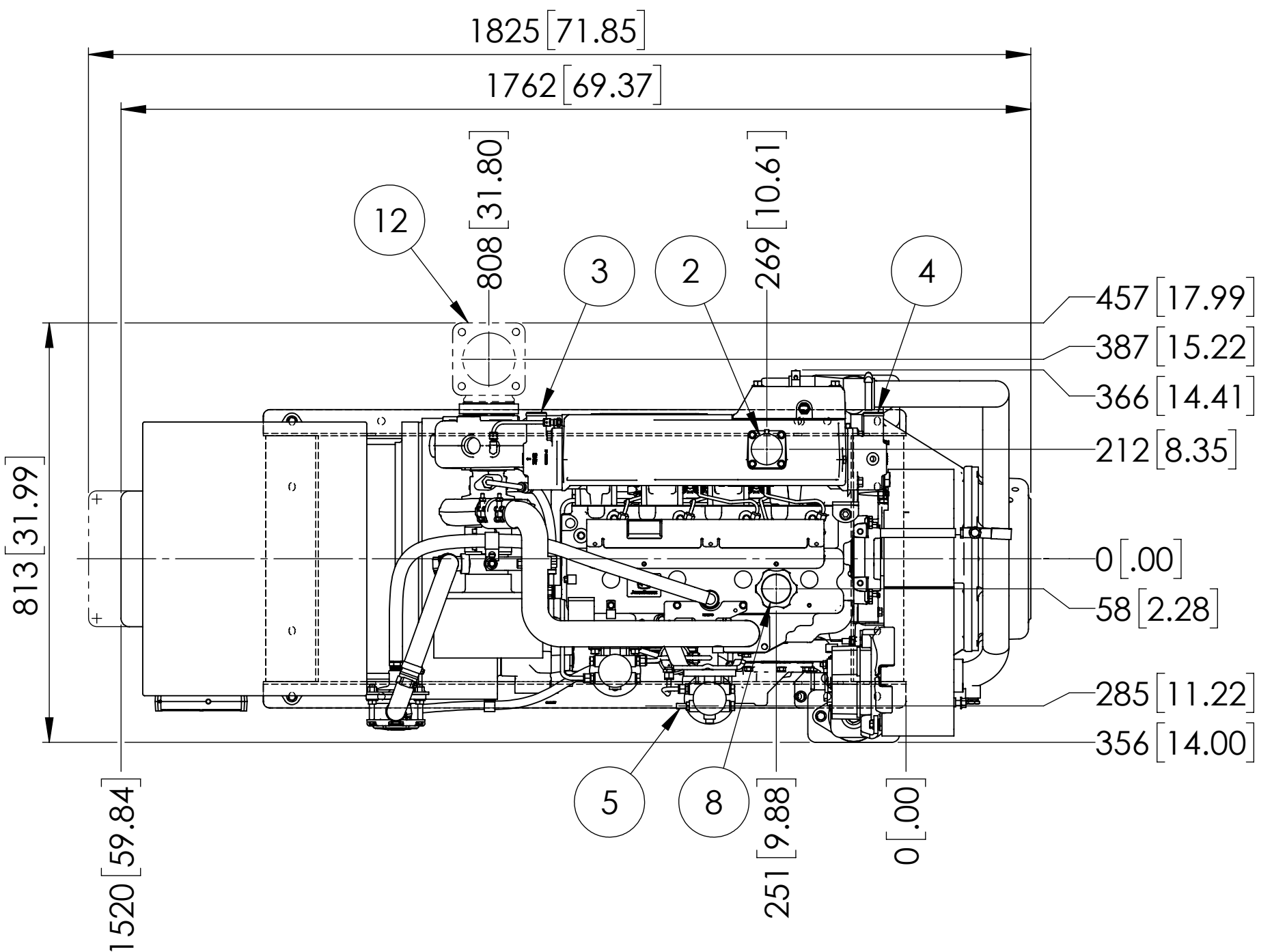
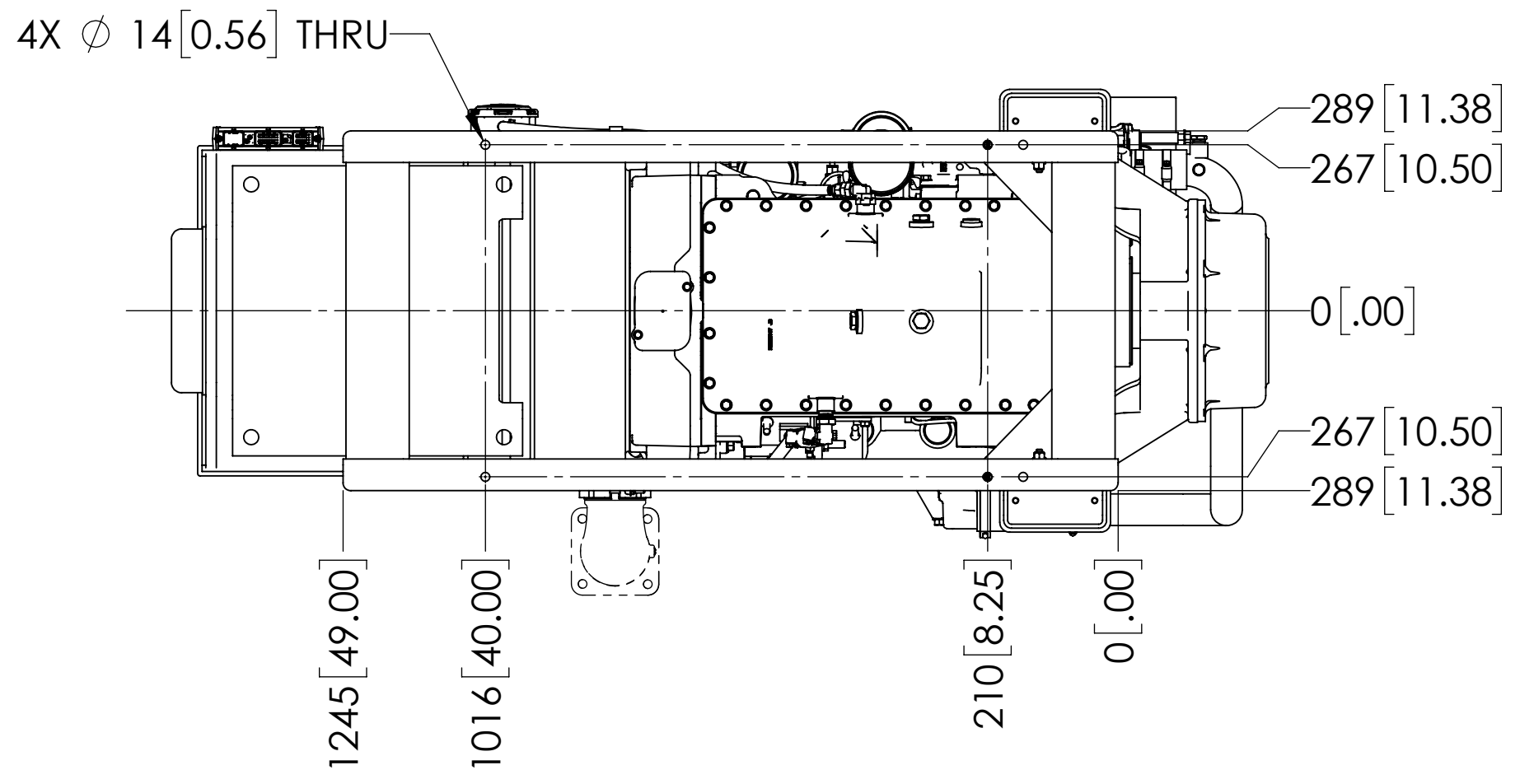
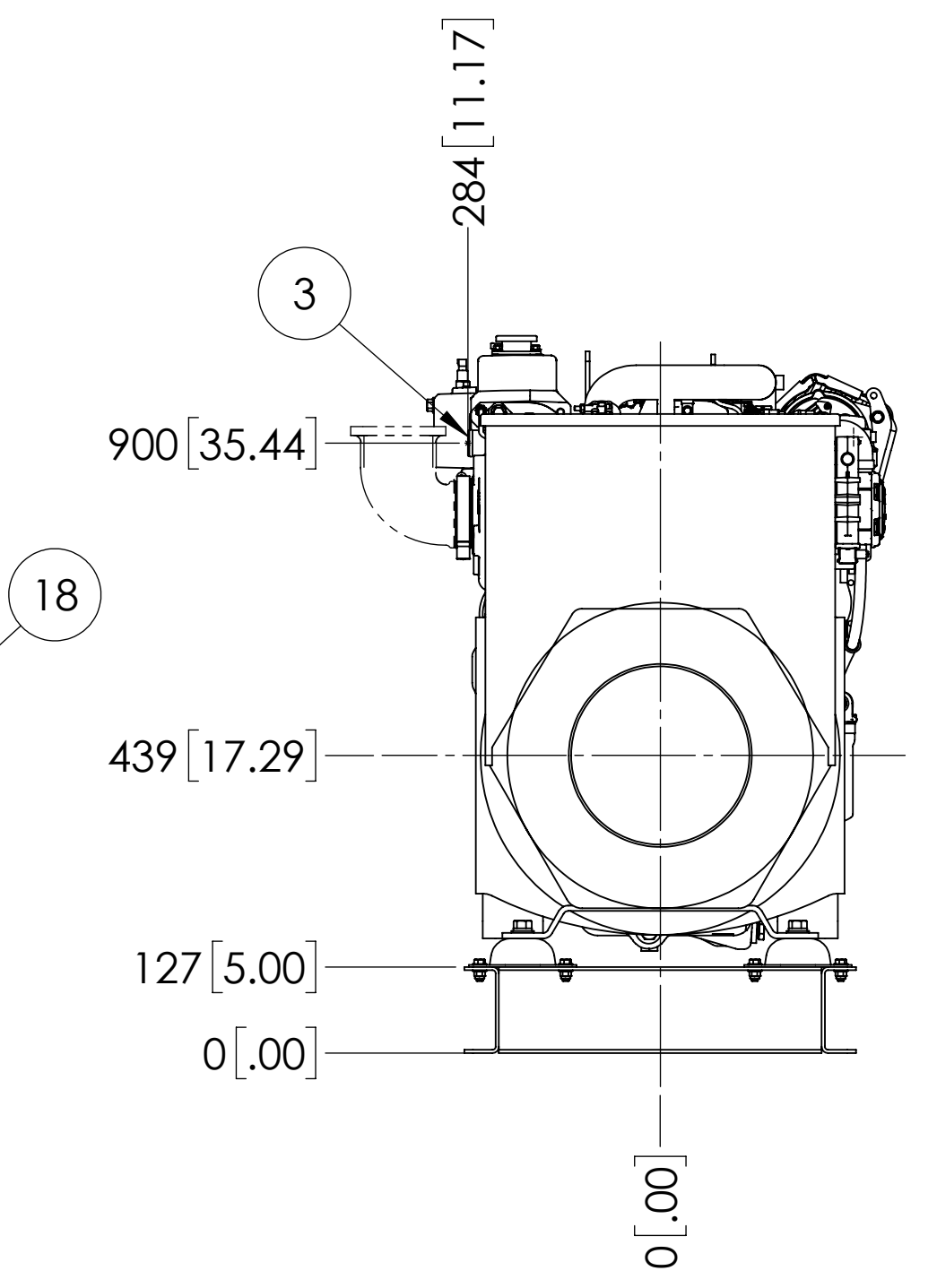
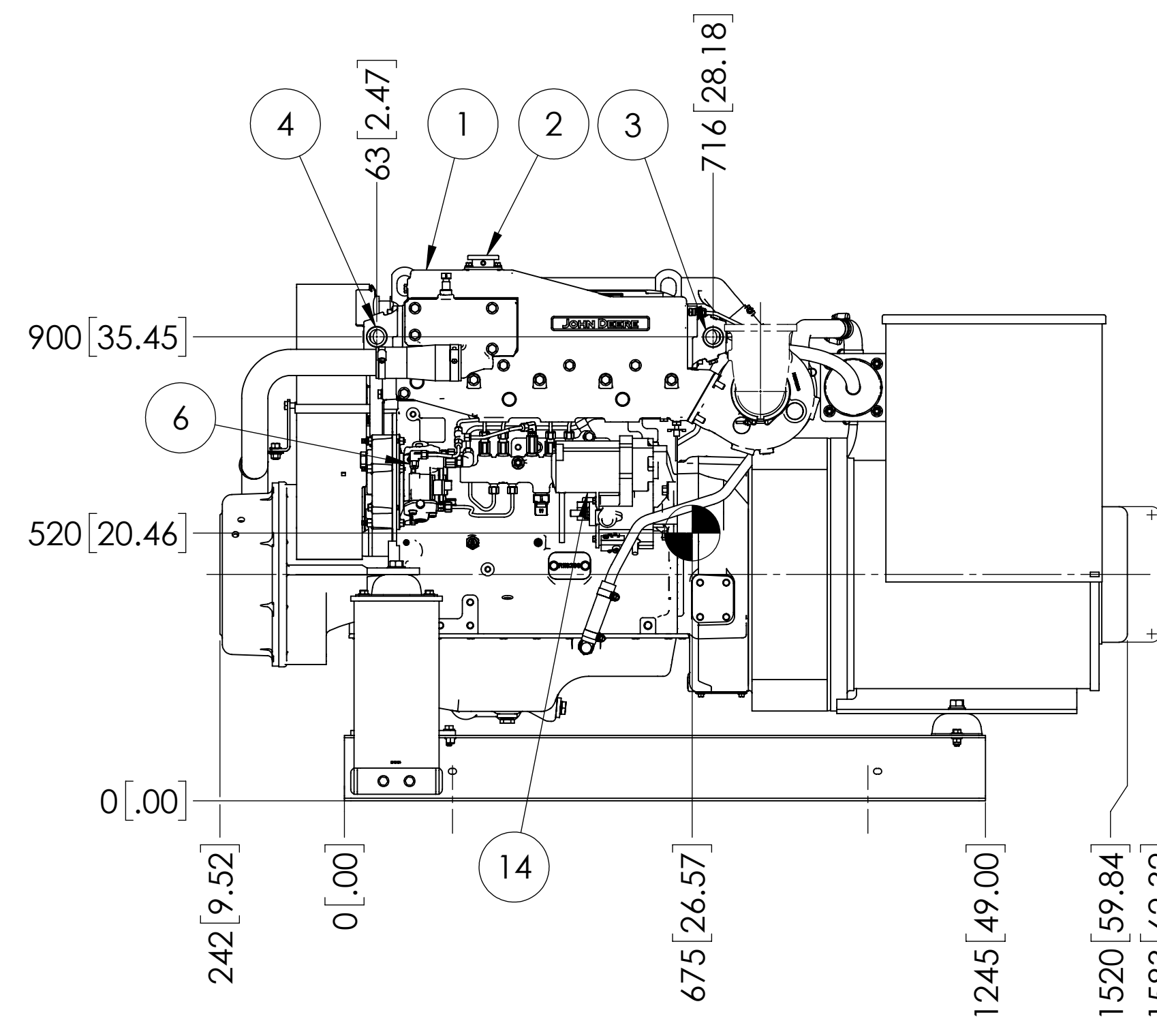
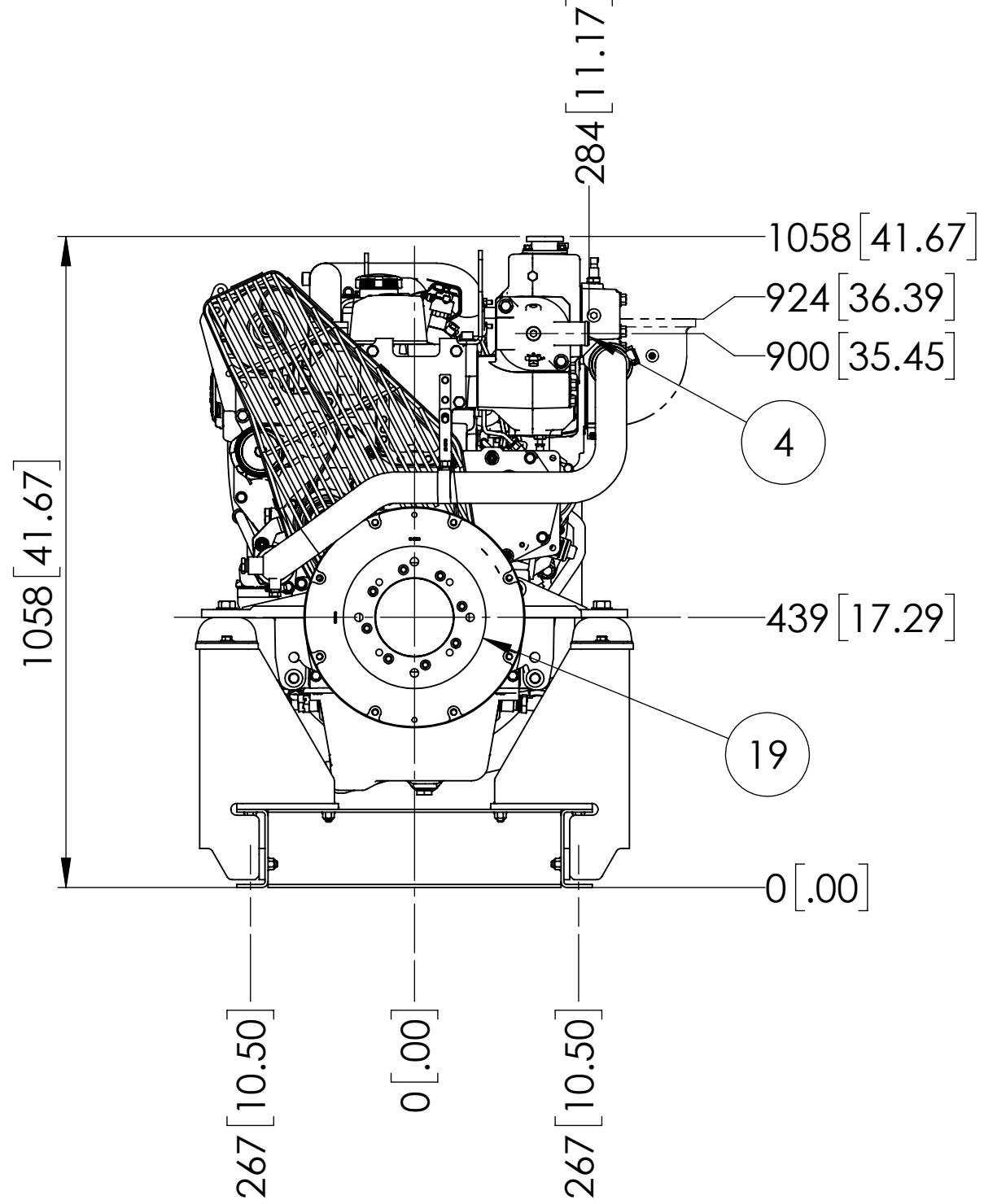
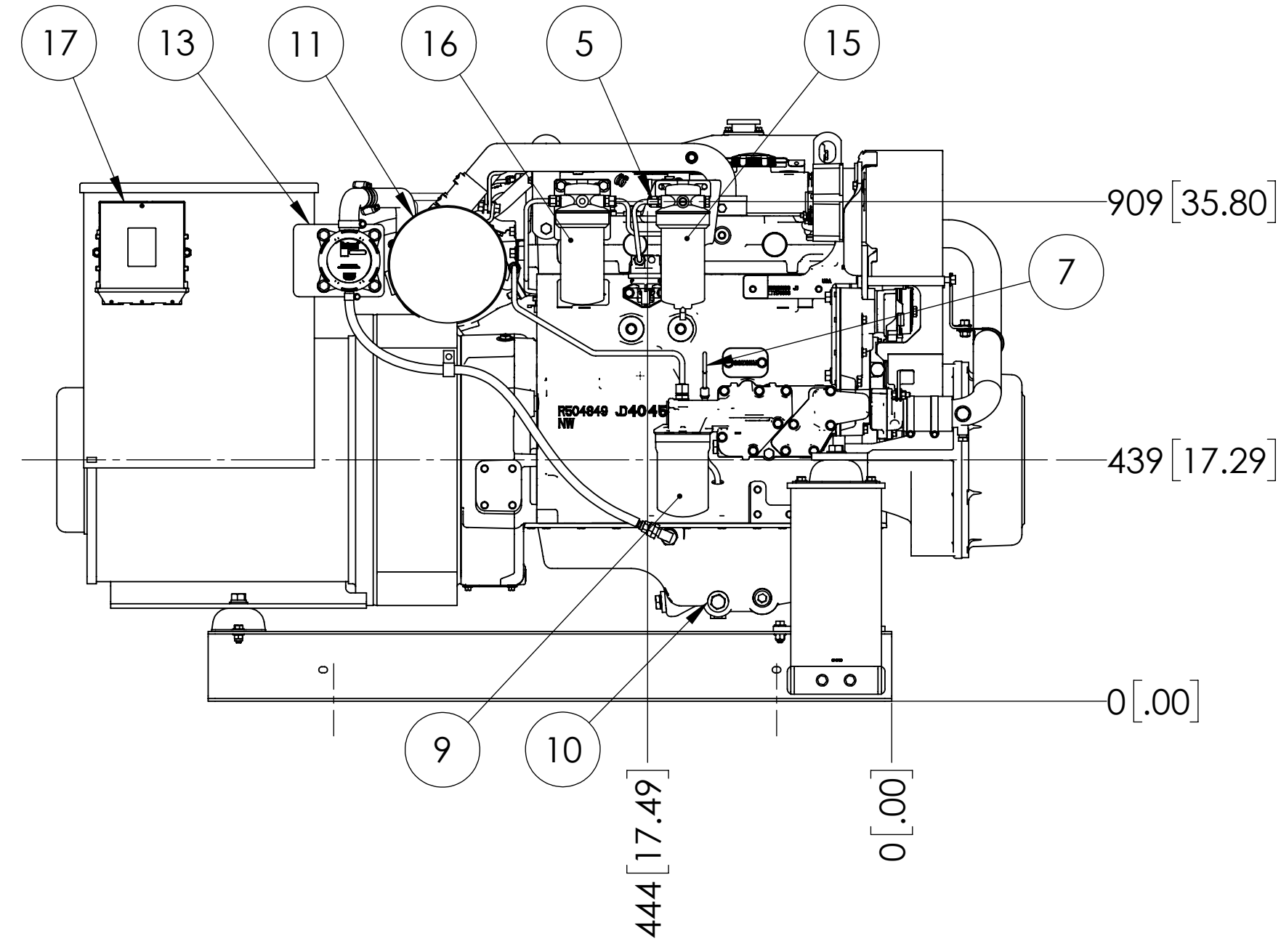


MODELS	APPROX. WT. lbs [kg]
M65C13.4S 65kW 1800 RPM 60Hz 1 ϕ	2315 [1050]



OPTIONAL DRY EXHAUST ELBOW FLANGE DETAIL

ITEM	DESCRIPTION
1	EXPANSION TANK
2	COOLANT FILL
3	COOLANT INLET ϕ 1.5 H.B.
4	COOLANT OUTLET ϕ 1.5 H.B.
5	FUEL SUPPLY ϕ 3/8 H.B.
6	FUEL RETURN ϕ 1/4 H.B.
7	CRANKCASE OIL DIPSTICK
8	CRANKCASE OIL FILLER
9	CRANKCASE OIL FILTER
10	ENGINE OIL DRAIN - M18x1.5
11	AIR INLET FILTER
12	OPTIONAL DRY EXHAUST ELBOW - SEE DETAIL
13	CLOSED CRANKCASE VENTILATION SYSTEM
14	ELECTRIC STARTER
15	PRIMARY FUEL FILTER
16	FINAL FUEL FILTER
17	ENGINE CONTROL UNIT
18	OPTIONAL PMG
19	PTO - "C" SPLINE 14T 12/24 D.P. 2 AND 4 BOLT FLANGE



THE DIMENSIONS ON THIS DRAWING ARE SUBJECT TO CHANGE. PLEASE CONTACT NLI TO BE SURE YOU HAVE THE MOST CURRENT REVISION.

<p>THIRD ANGLE PROJECTION</p> <p>PROPRIETARY AND CONFIDENTIAL THE INFORMATION CONTAINED IN THIS DRAWING IS THE SOLE PROPERTY OF NORTHERN LIGHTS. ANY REPRODUCTION IN PART OR AS A WHOLE WITHOUT THE WRITTEN PERMISSION OF NORTHERN LIGHTS IS PROHIBITED.</p>	<p>UNLESS OTHERWISE SPECIFIED: DIMENSIONS ARE IN MILLIMETERS TOLERANCES: ANGULAR: MACH ± 0.5° BEND ± 1.0° X. ± 3 X.X ± 2</p>	<p>NAME: MG DATE: 09/24/18</p>	<p>NORTHERN LIGHTS 4420 14th AVE. N.W. Seattle, WA 98107 (206) 789-3880 www.northern-lights.com</p>
	<p>INTERPRET GEOMETRIC TOLERANCING PER ASME Y14.5M</p>	<p>CHECKED: TAH DATE: 09/24/18</p>	
	<p>MATERIAL: FINISH</p>	<p>ENG APPR: MEG DATE: 09/24/18</p>	
	<p>DO NOT SCALE</p>	<p>Q.A. COMMENTS:</p>	
<p>TITLE: INSTALLATION DIMENSIONS M65C13.4S W/PTO</p>		<p>SIZE: D PART NO. DWG. NO. D-5132 REV</p>	<p>SCALE: 1:10 WEIGHT: SHEET 1 OF 1</p>