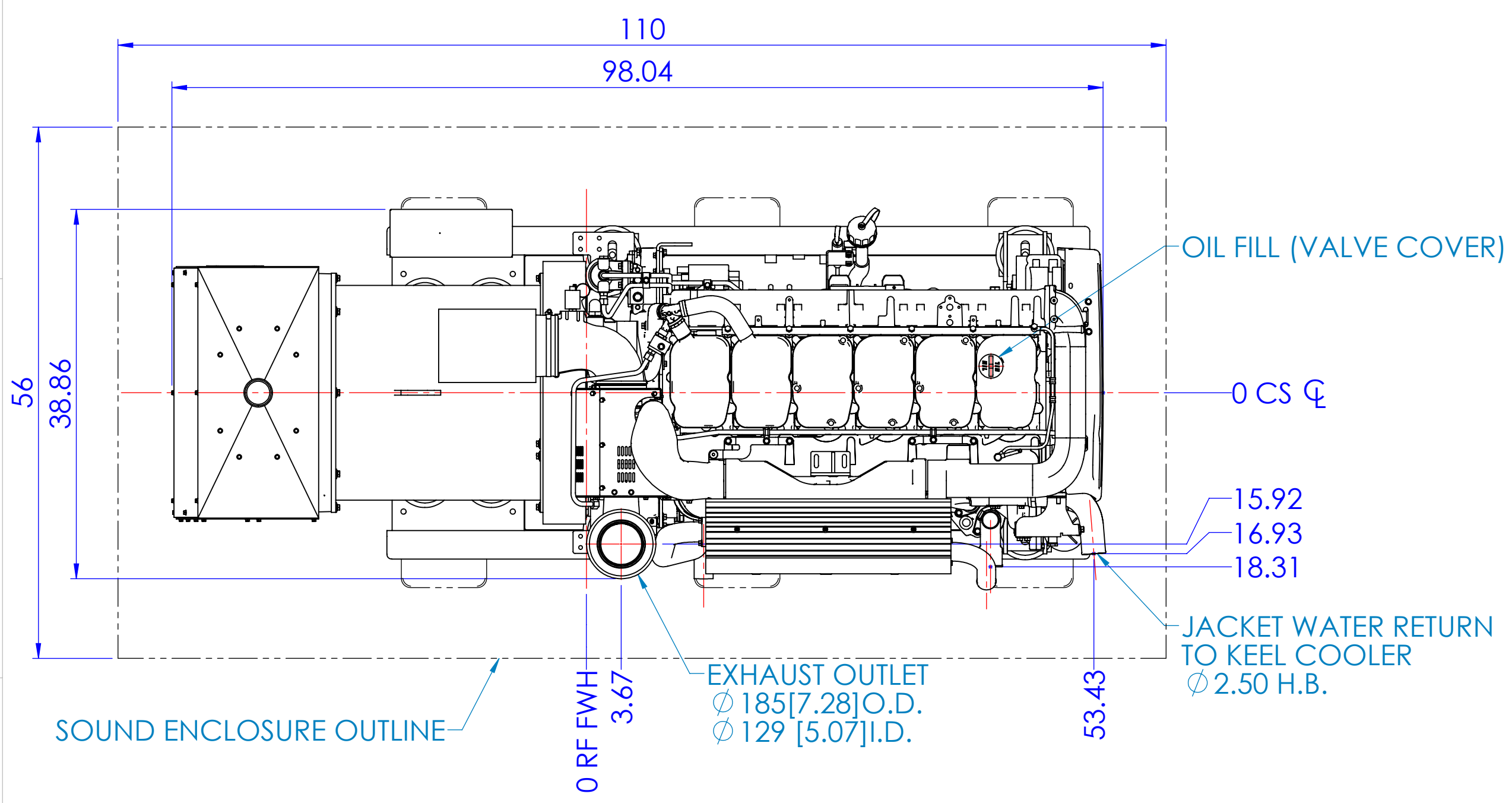
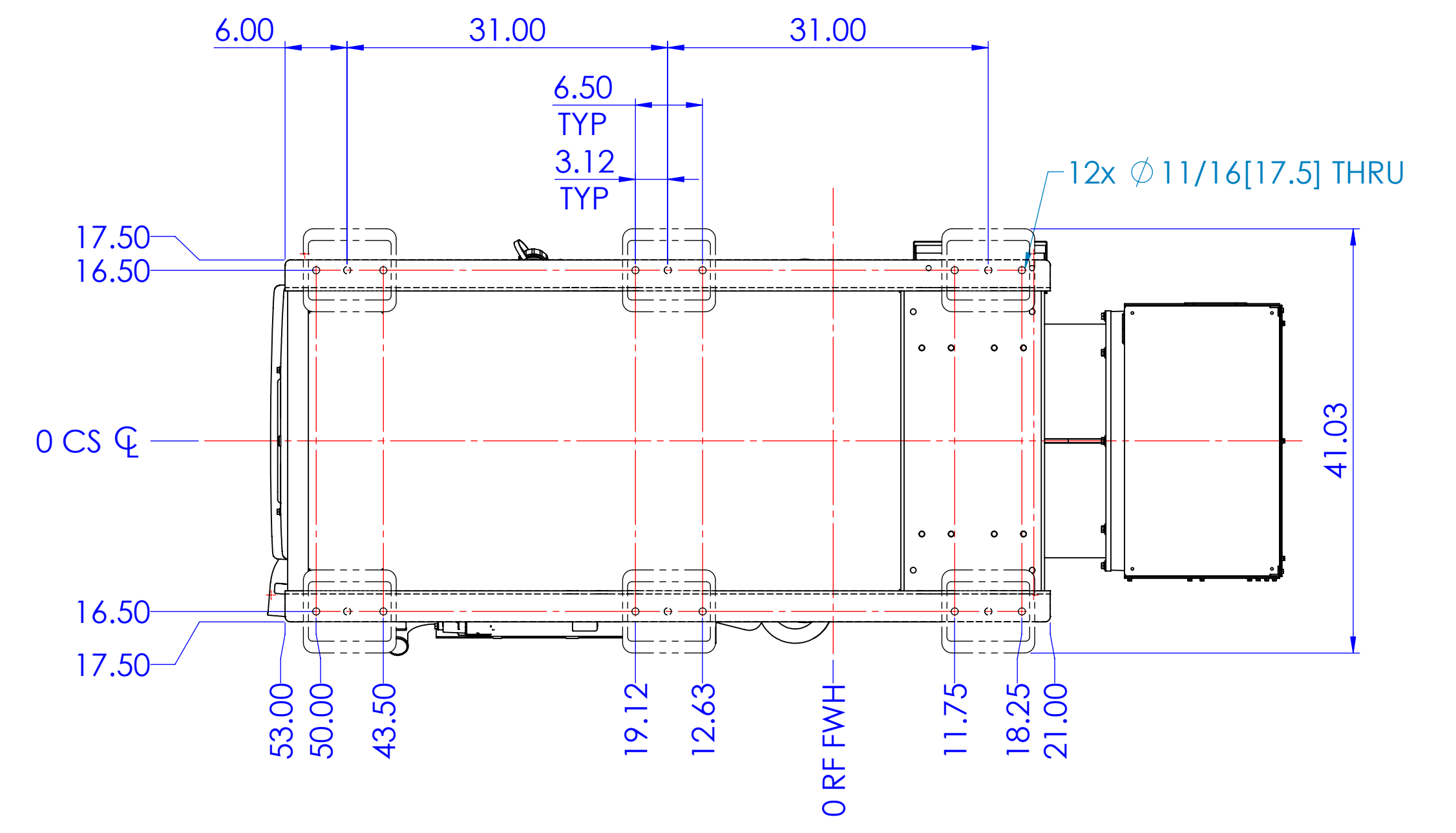


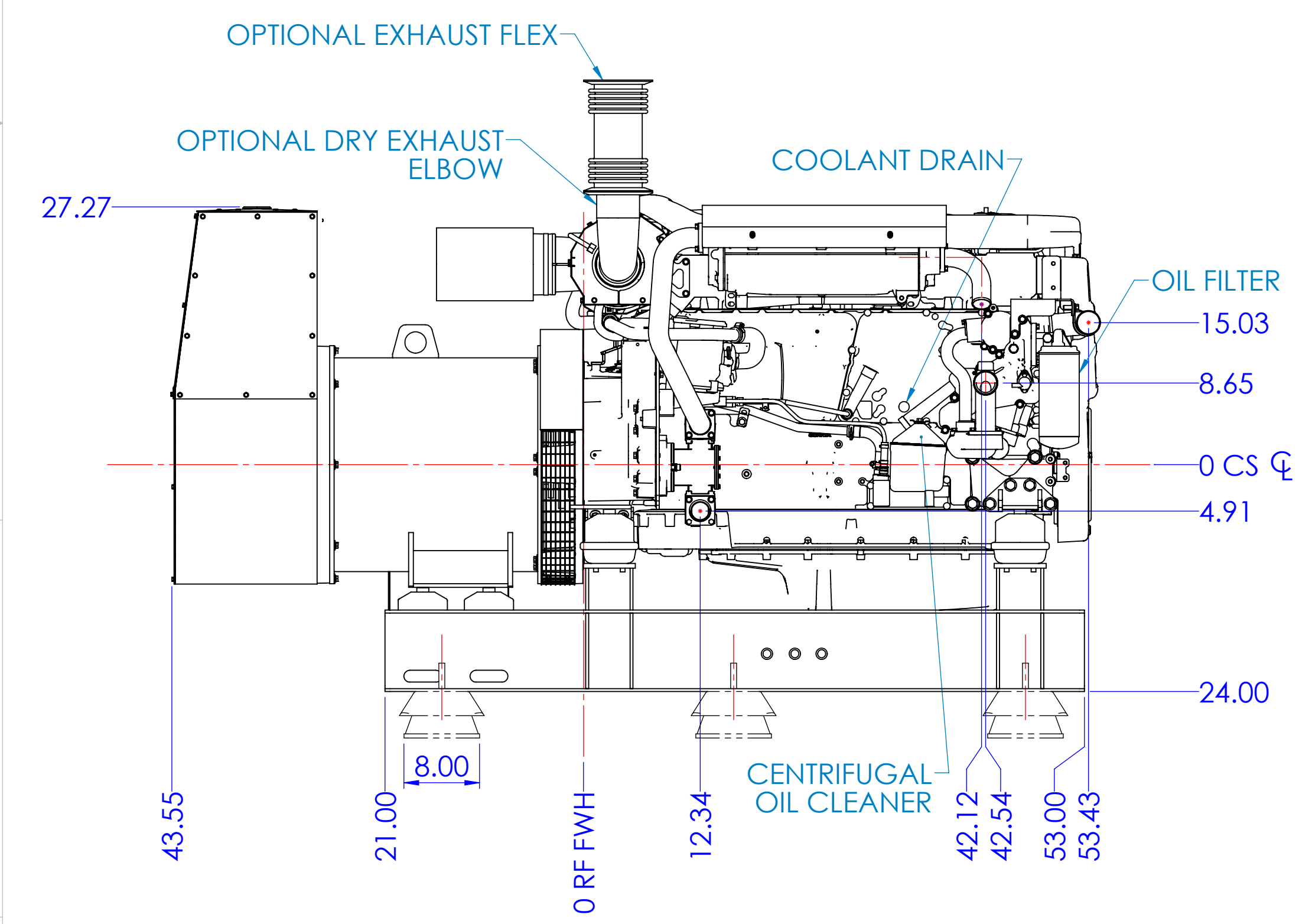
REVISIONS				
REV.	DESCRIPTION	DATE	BY	CHECKED
A	NOW DOUBLE CIRCUIT KEEL COOLED WAS SINGLE CIRCUIT KEEL COOLED. ECN 5835.	1/11/2019	MG	TAH



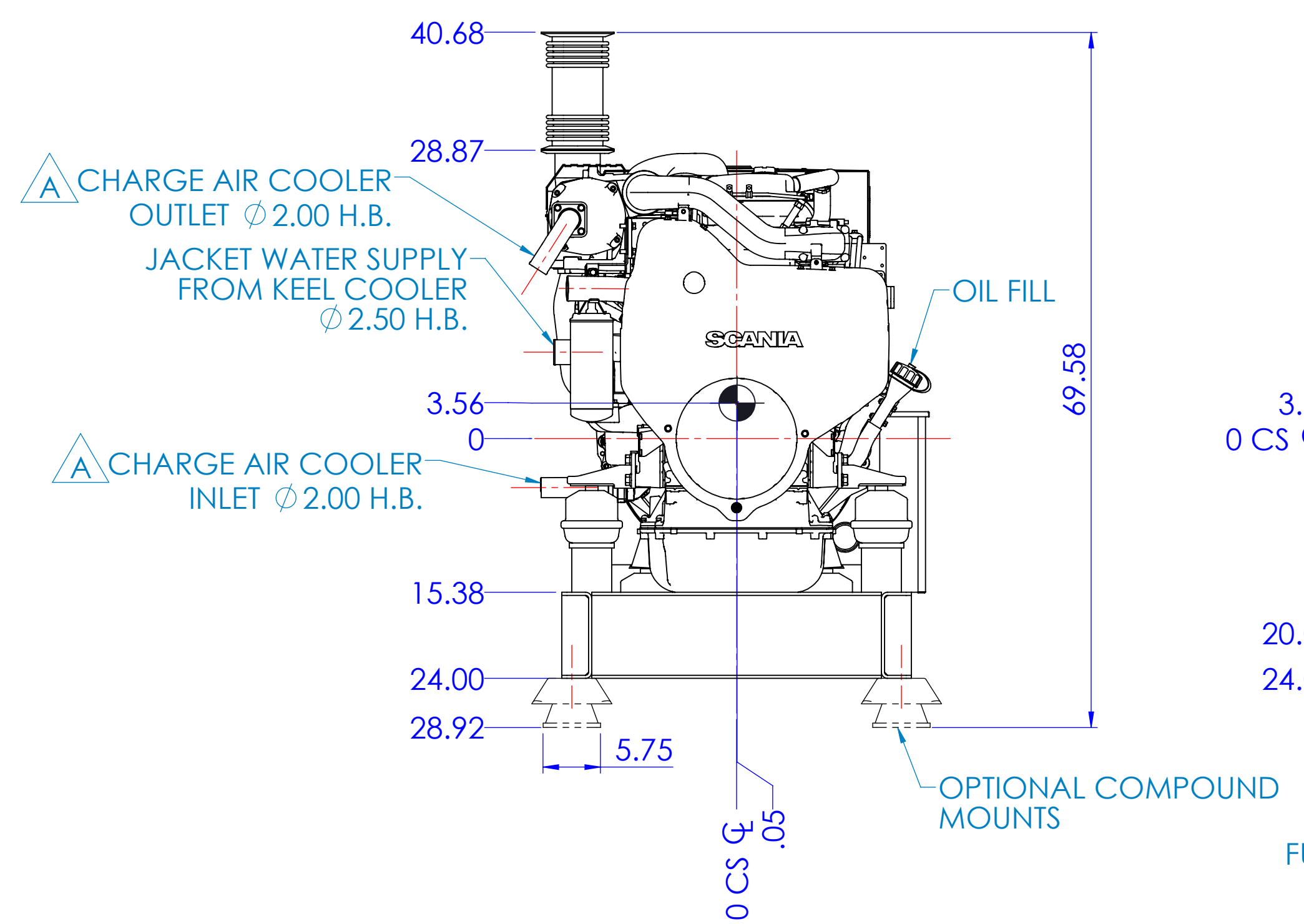
PLAN



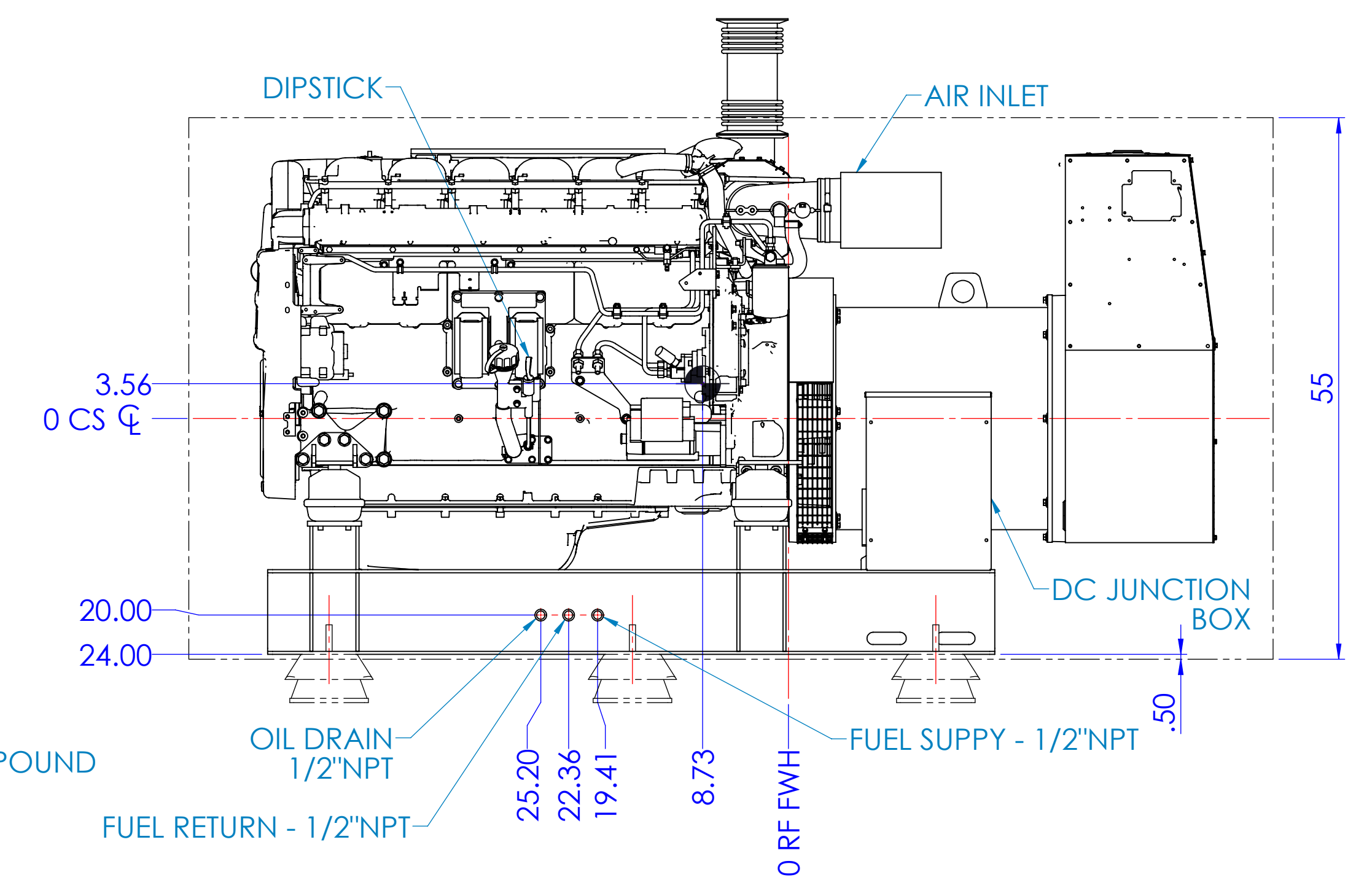
OPTIONAL COMPOUND MOUNT BOLT PATTERN



LEFT SIDE



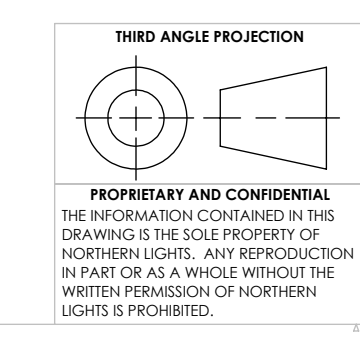
FRONT



RIGHT SIDE

THE DIMENSIONS ON THIS DRAWING ARE SUBJECT TO CHANGE. PLEASE CONTACT NLI TO BE SURE YOU HAVE THE MOST CURRENT REVISION.

EST. WEIGHT (WITH COOLANT & OIL): 5105 LBS [2316 kg]



UNLESS OTHERWISE SPECIFIED: DIMENSIONS ARE IN INCHES TOLERANCES: ANGULAR: 0.5° HOLE: ±0.13 X: ±0.06 XXX: ±0.005 INTERPRET GEOMETRIC TOLERANCING PER ASME Y14.5M	NAME: MG DATE: 01/08/19
PROPRIETARY AND CONFIDENTIAL THE INFORMATION CONTAINED IN THIS DRAWING IS THE SOLE PROPERTY OF NORTHERN LIGHTS. ANY REPRODUCTION IN PART OR AS A WHOLE WITHOUT THE WRITTEN PERMISSION OF NORTHERN LIGHTS IS PROHIBITED.	DRAWN: CHECKED: ENG APPR: MEG APPR: Q.A. COMMENTS:
DO NOT SCALE	

NORTHERN LIGHTS
4420 14th AVE. N.W.
Seattle, WA 98107
(206) 789-3880
www.northern-lights.com

TITLE: **INSTALLATION DIMENSIONS**
M1306A13.21 - 250kW@1800RPM 3PH KC
SAE#1/#14 EPA TIER 3

SIZE: **D** PART NO. DWG. NO. **D-5156** REV **A**

SCALE: 1:12 WEIGHT: LBS. SHEET 1 OF 1