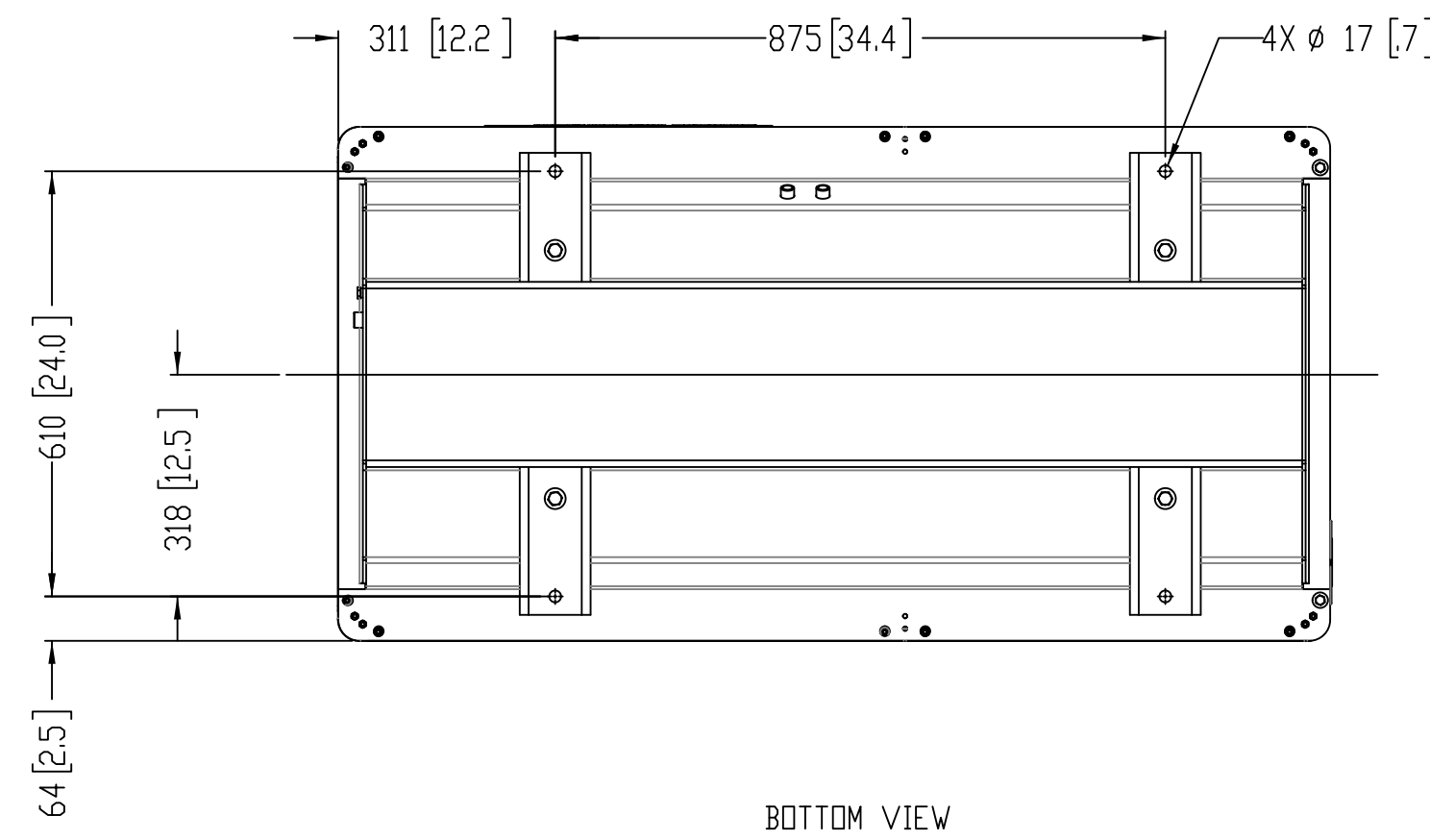
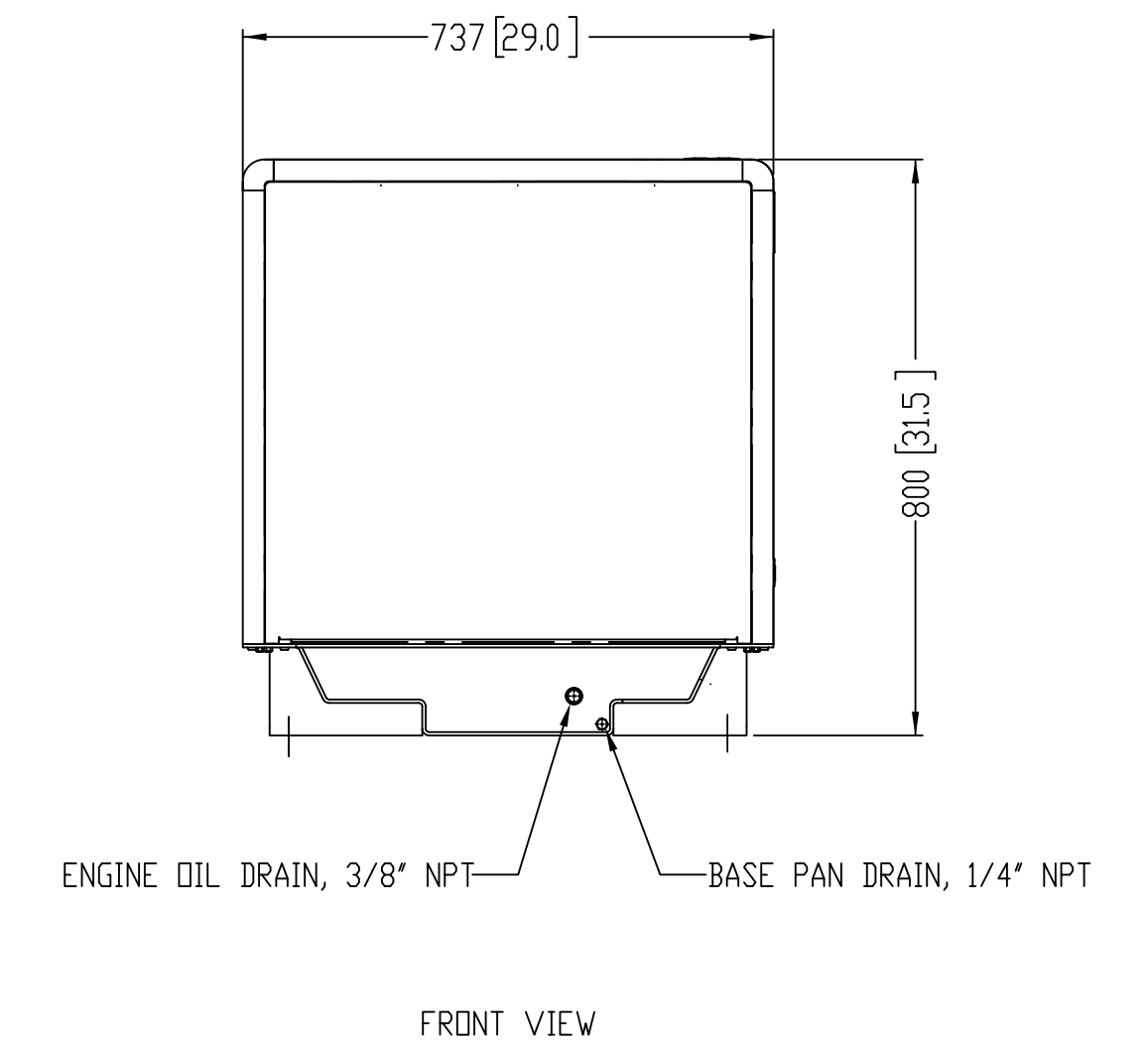
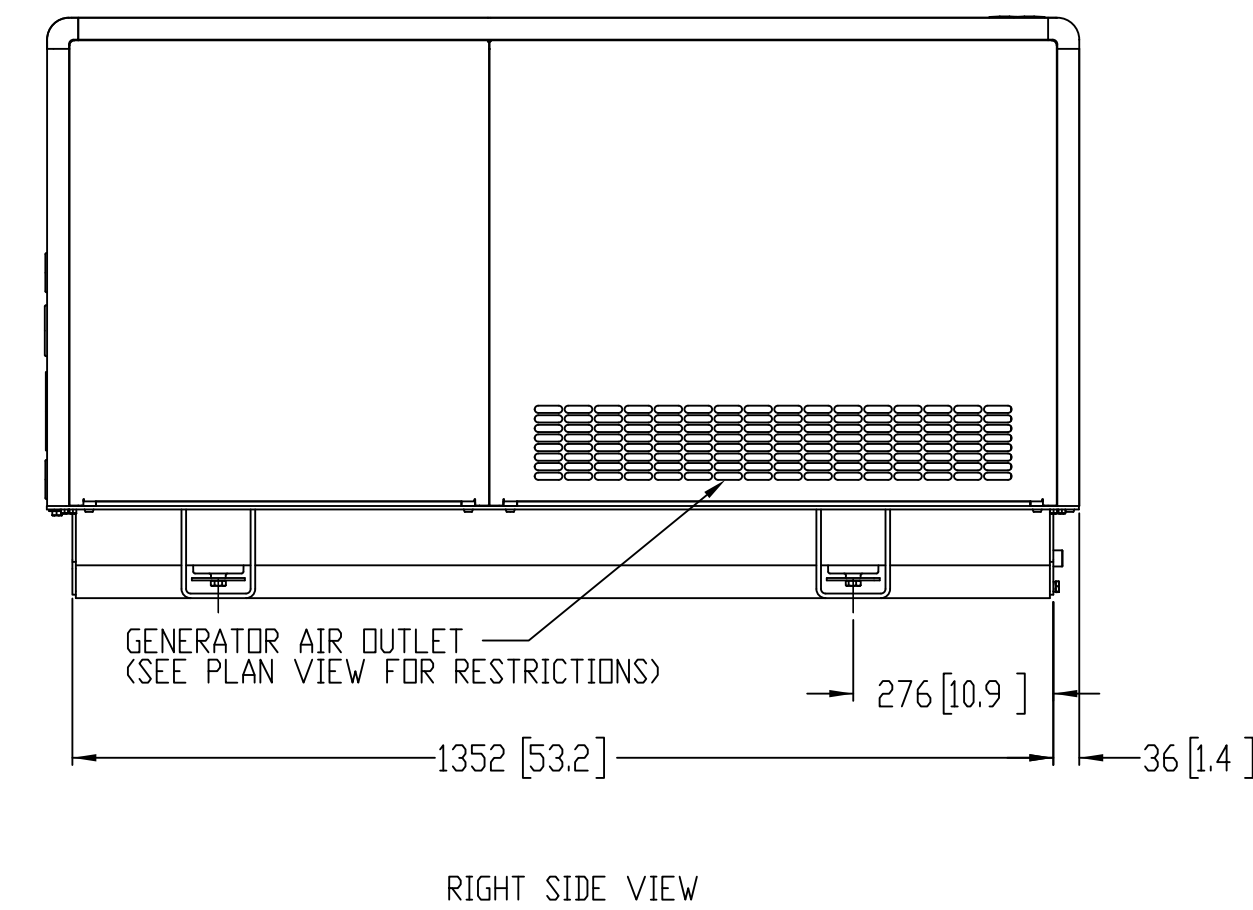
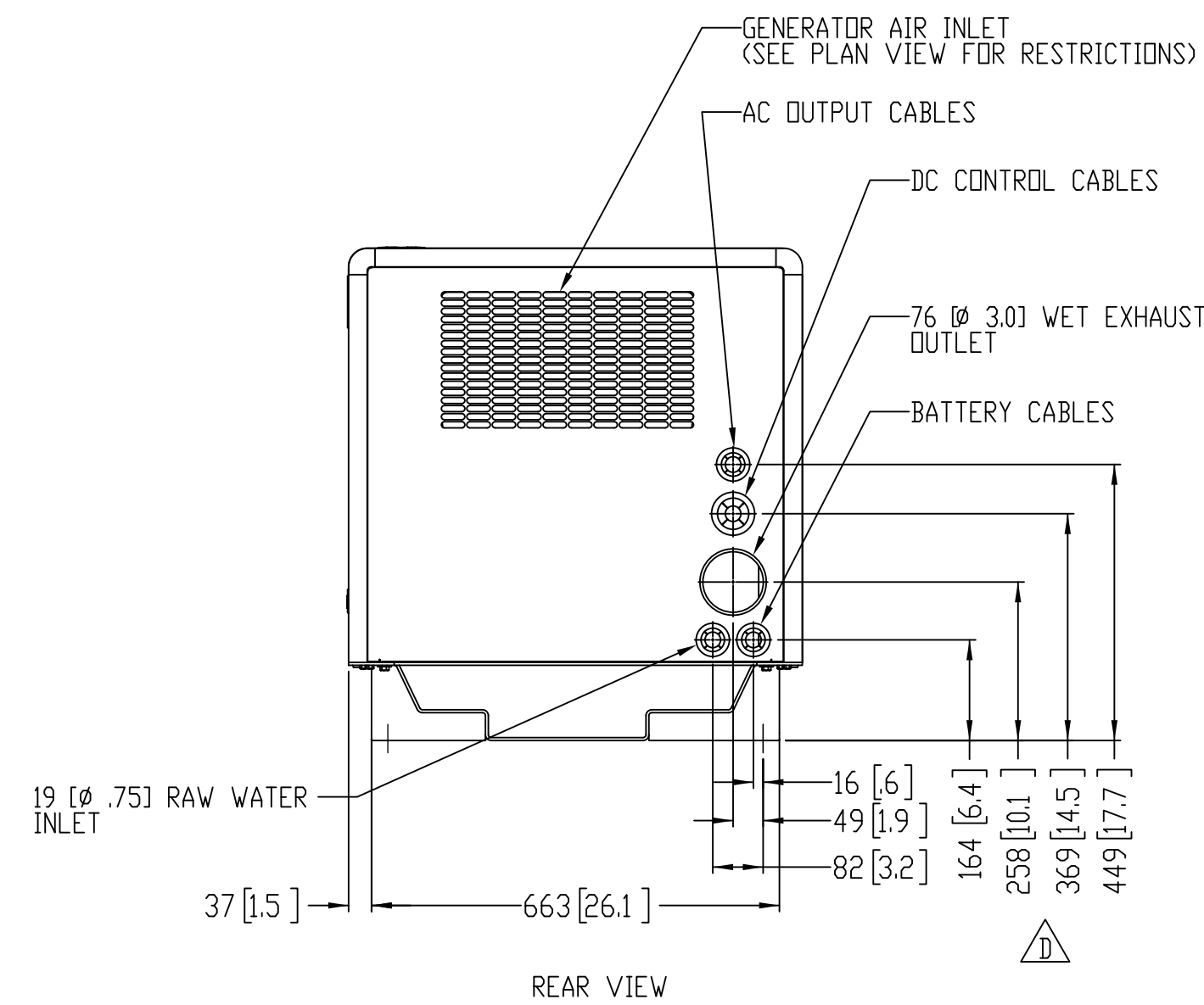
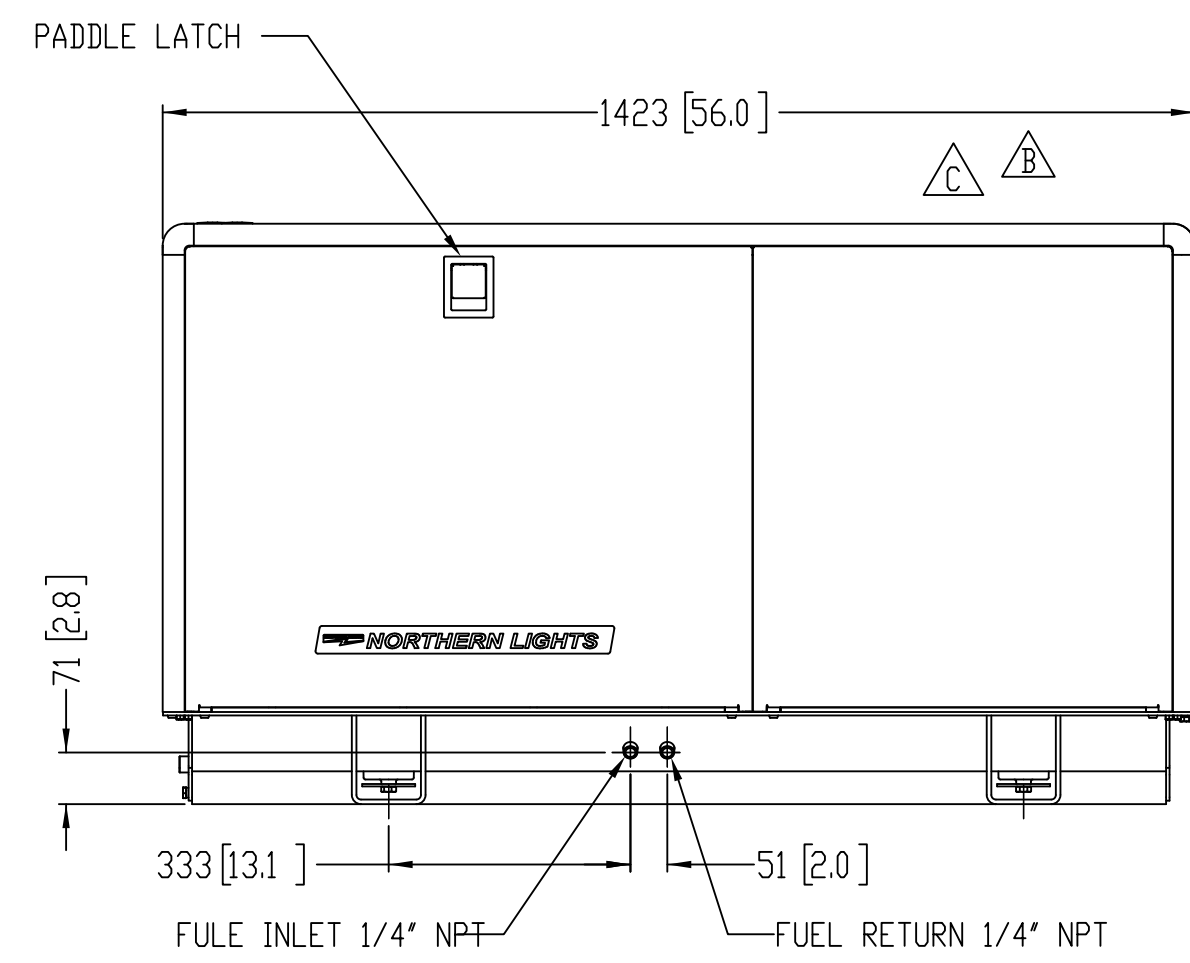
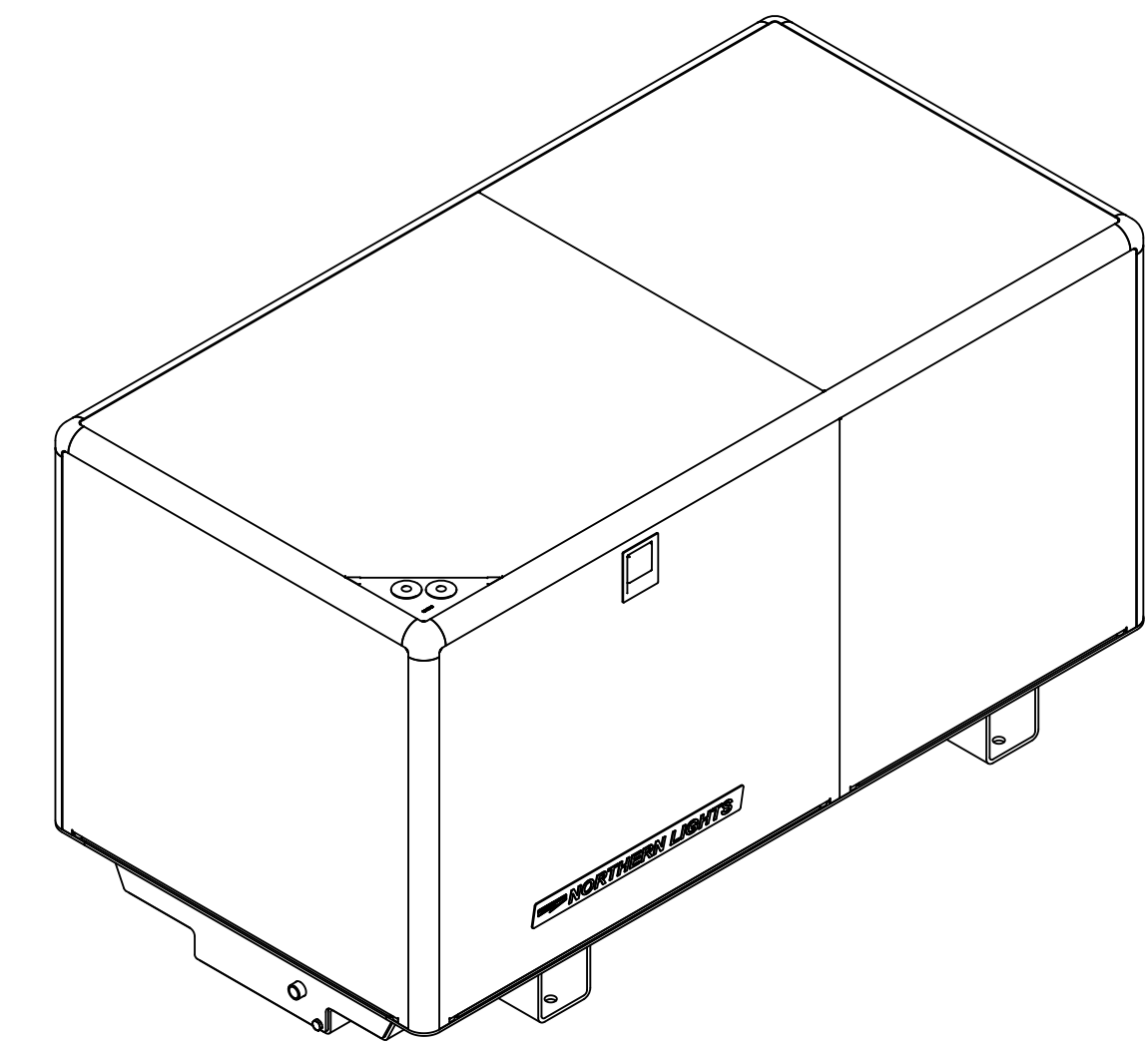
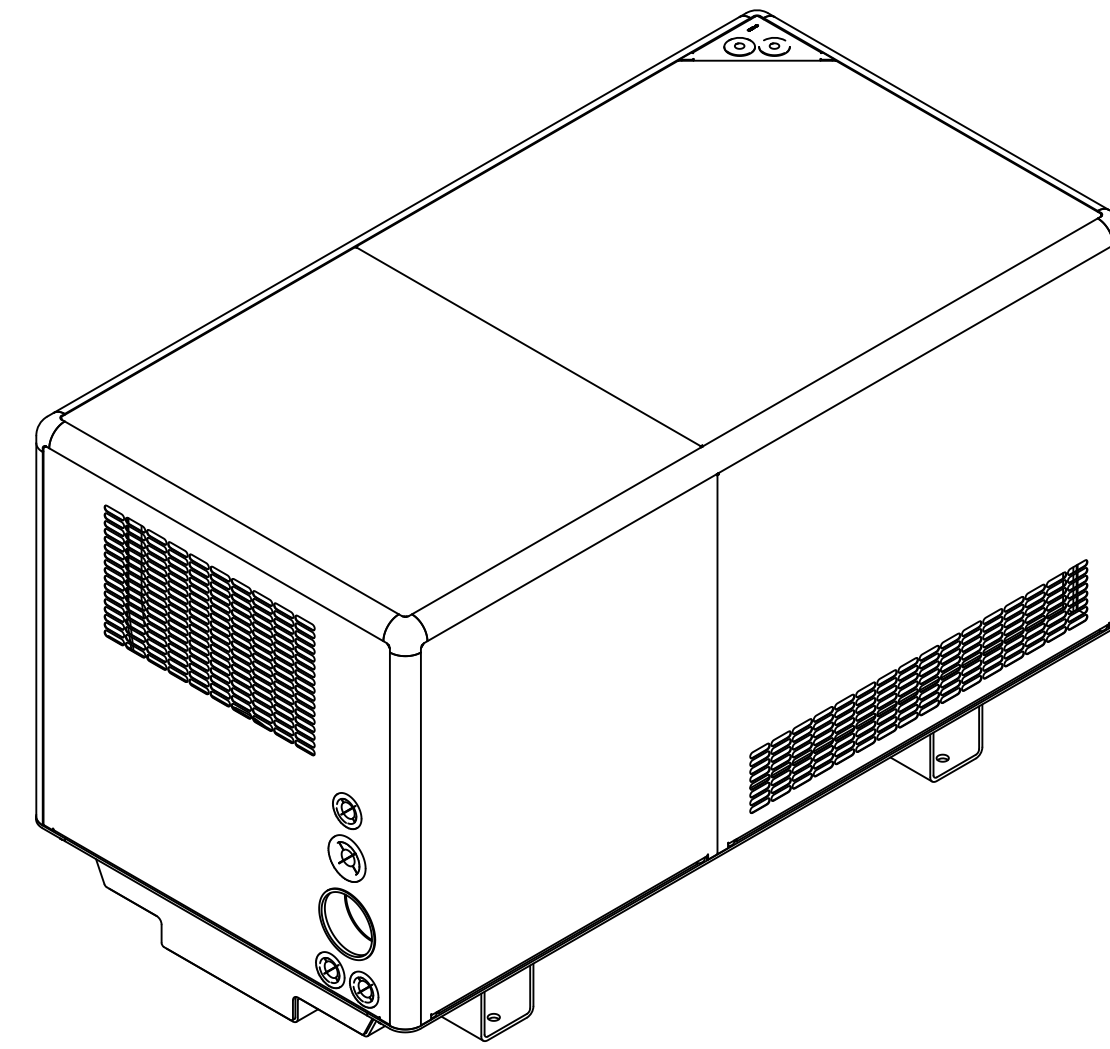
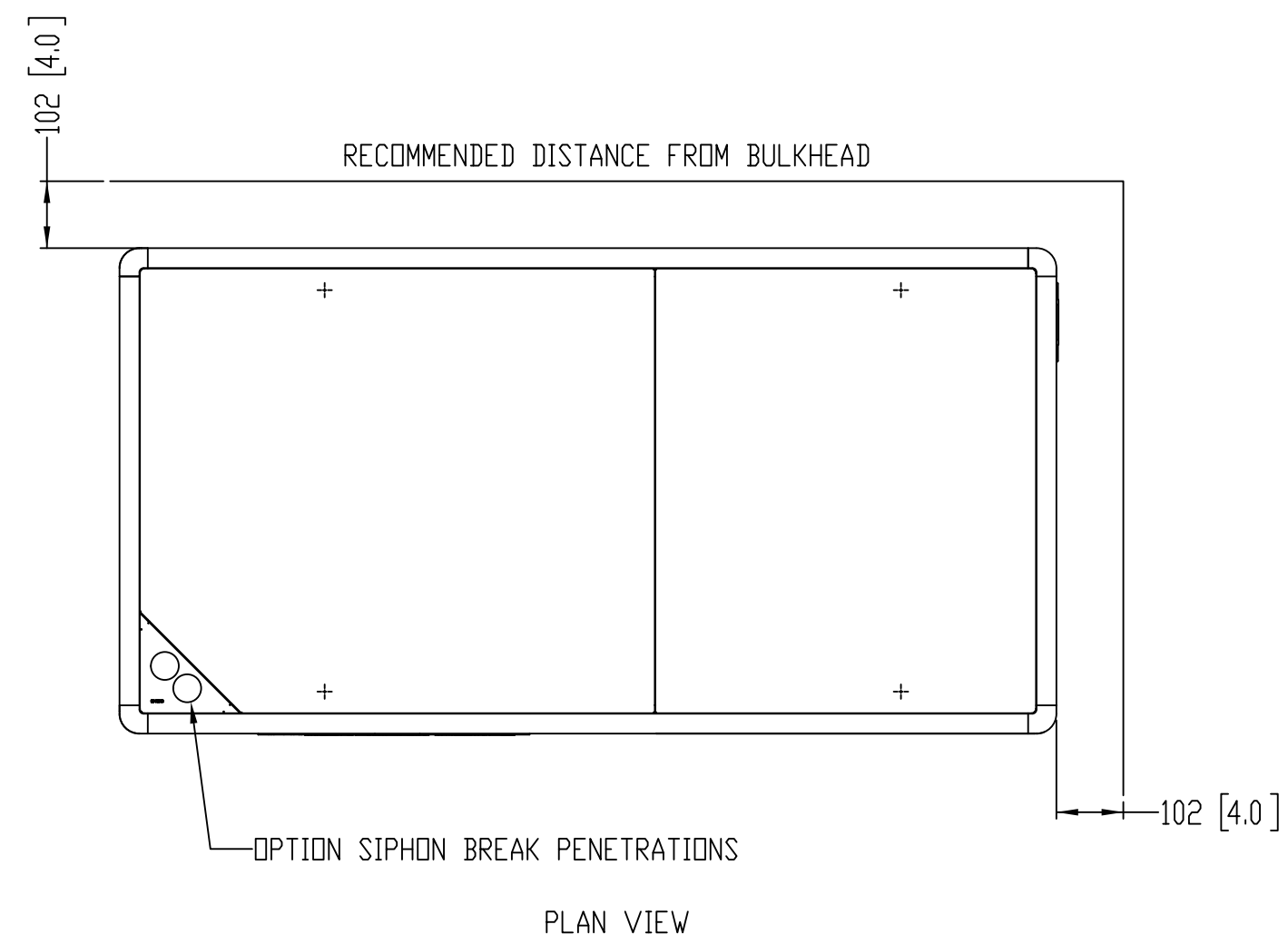


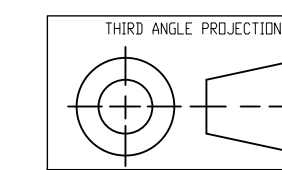
8 7 6 5 4 3 2 1



THE DIMENSIONS ON THIS DRAWING ARE SUBJECT TO CHANGE. PLEASE CONTACT NORTHERN LIGHTS INC TO BE SURE YOU HAVE THE MOST CURRENT REVISION.

WEIGHT: 676 KG [1490 LBS]

P/N	APPLICATION
05-01200	NLI WHITE T009-WH12
05-01205	TRAFFIC WHITE RAL 9016



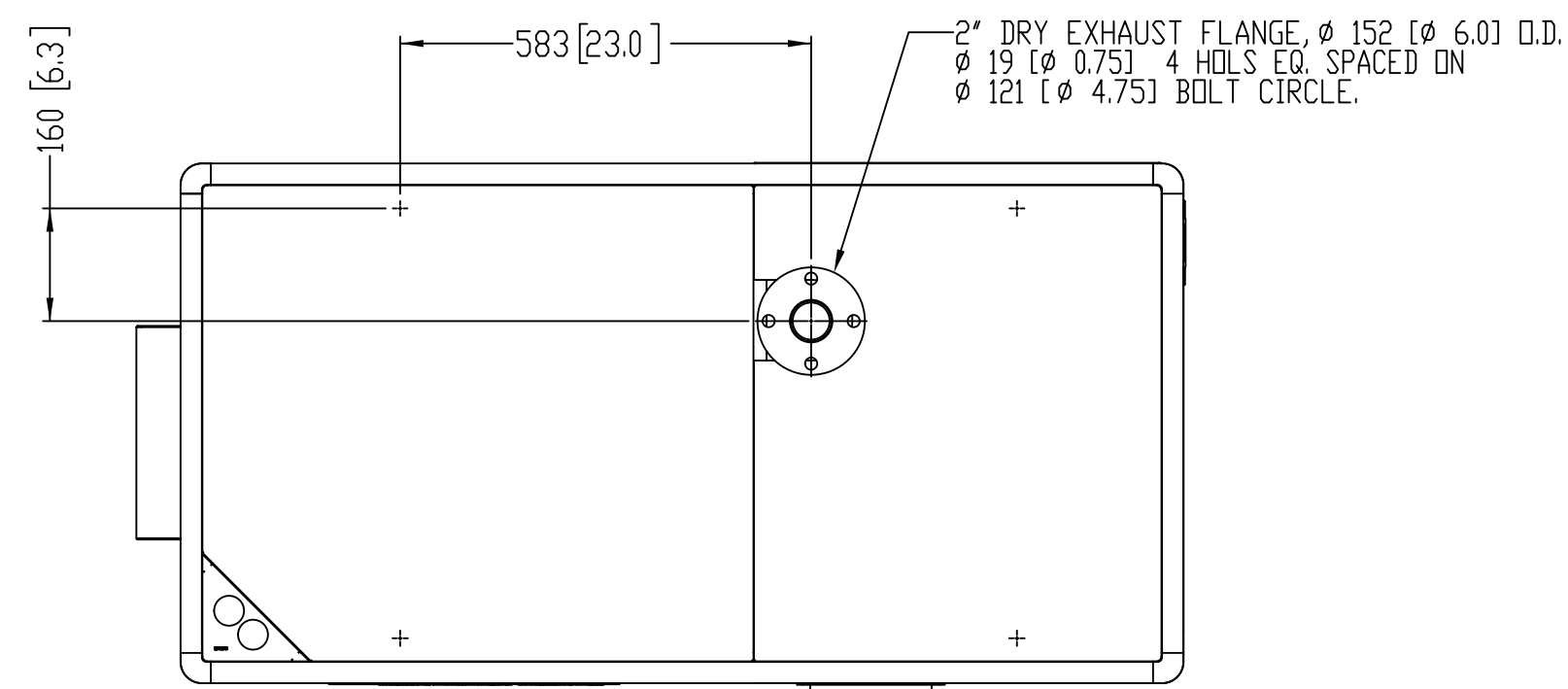
THIRD ANGLE PROJECTION

UNLESS OTHERWISE SPECIFIED:	NAME	DATE
DIMENSIONS ARE IN MILLIMETERS	DRAWN	6/28/2011
TOLERANCES	CHECKED	
ANGULAR: MACH ± 0.5° BEND ± 10°	ENG APPR	
X ± 1.0	MFG APPR	
INTERPRET GEOMETRIC TOLERANCING PER ASME Y14.5M	D.A.	
MATERIAL	COMMENTS:	
FINISH		
DO NOT SCALE		

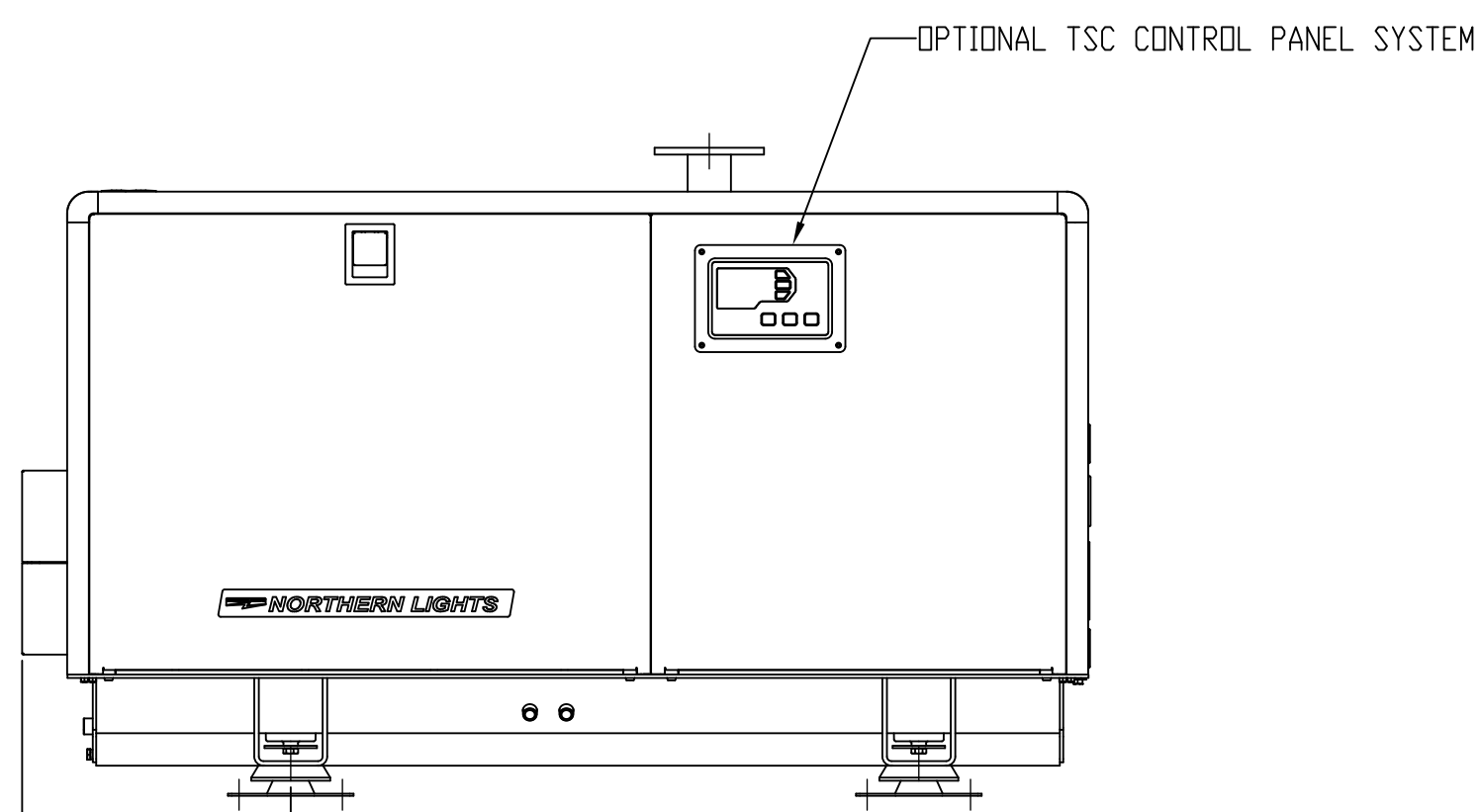
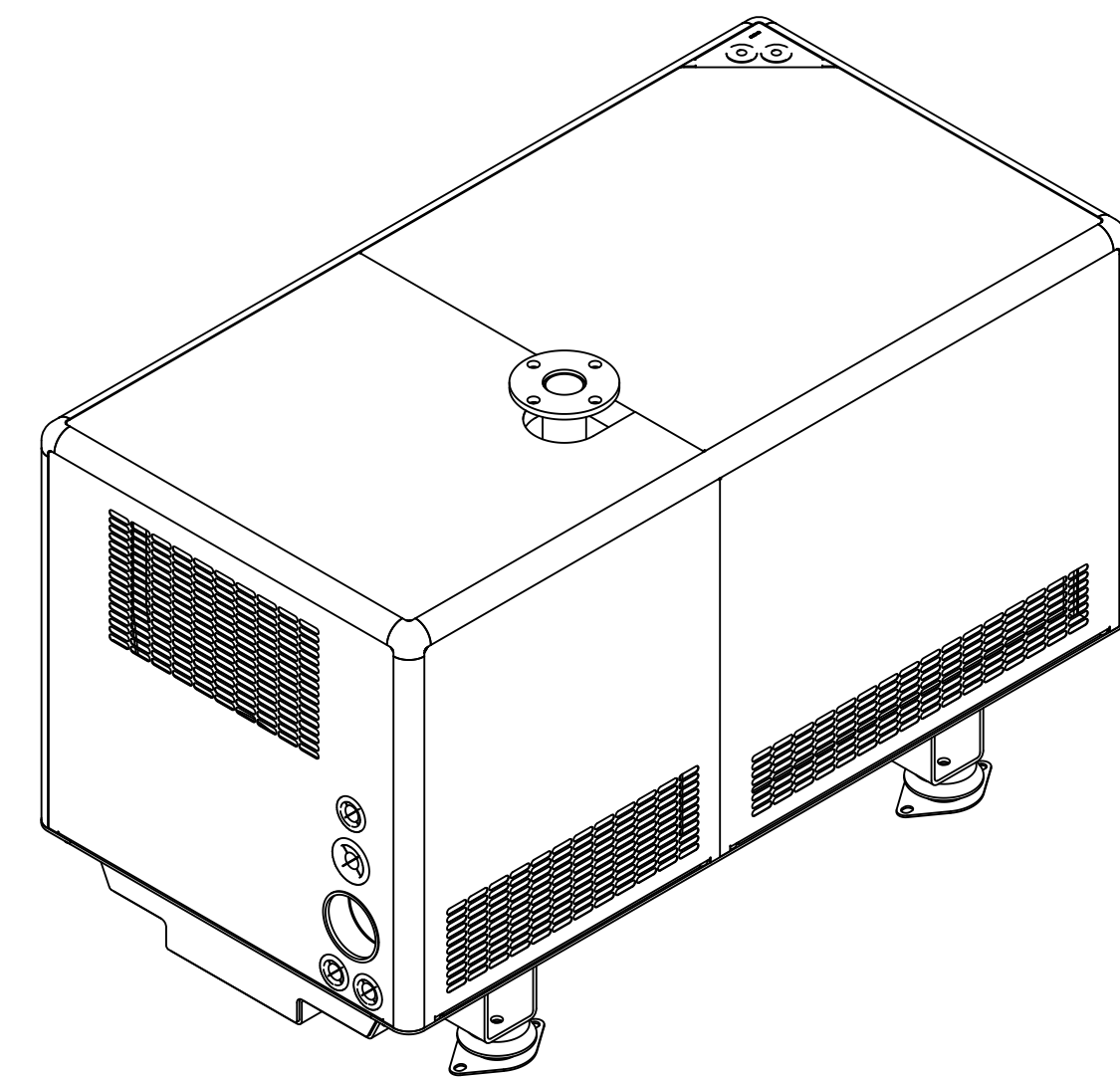
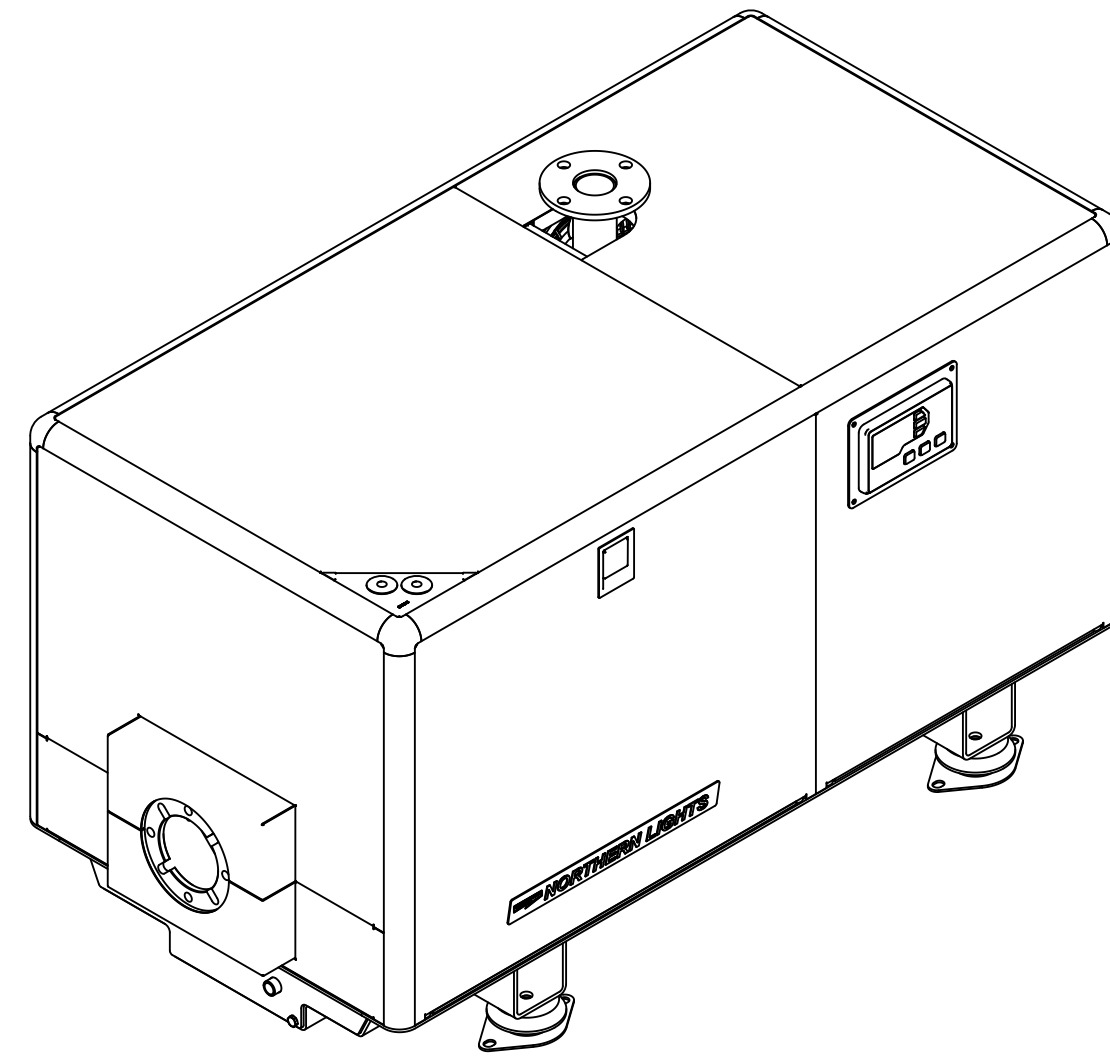
REVISIONS			
REV.	DESCRIPTION	DATE	CHECKED
D	ECN#6078 ADDED MISSING PENETRATION DIMENSIONS	7/2/2019	LTP MG 7/2/2019
C	ADDED TSC PANEL OPTION, MOVED OPTIONS TO SHEET 2 OF 2, RESTORE SHEET 1 TO BASE CONFIGURATION, ECN#4347	10/5/2016	LTP TAH 10/7/2016
B	DELETED WAVENET, UPDATE LOGO AND ADDED WEIGHT DATA PER ECN#3581	10/23/2015	LTP TAH 10/29/2015
A	UPDATED INSTALLATION DWG TO SHOW DRY EXHAUST OPTION, ECN#1836	08/01/2011	LTP MG 08/01/2011

NORTHERN LIGHTS		4420 14th AVE. N.W. Seattle, WA 98107 (206) 789-3880 www.northern-lights.com	
TITLE: INSTALLATION DIMENSIONS M944W3 SOUND SHIELD			
SIZE	PART NO.	DWG. NO.	REV.
D	SEE TABLE	D-4526	D
SCALE: 1:10	WEIGHT:		SHEET 1 OF 2

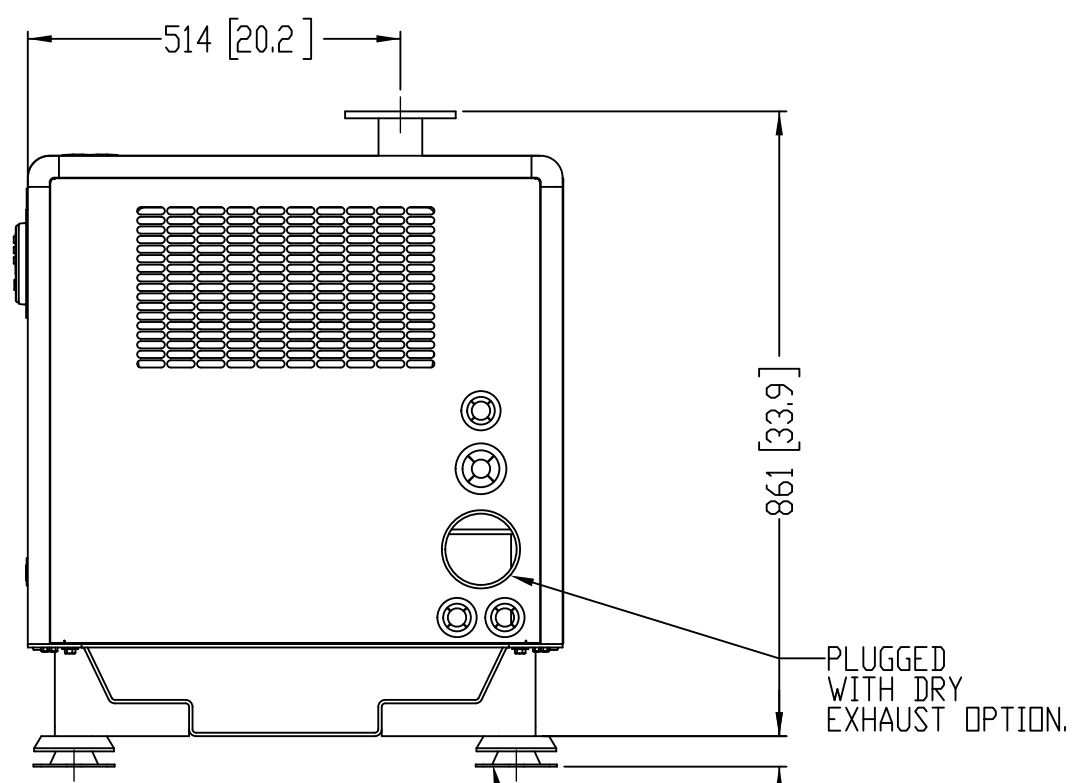
D-4526



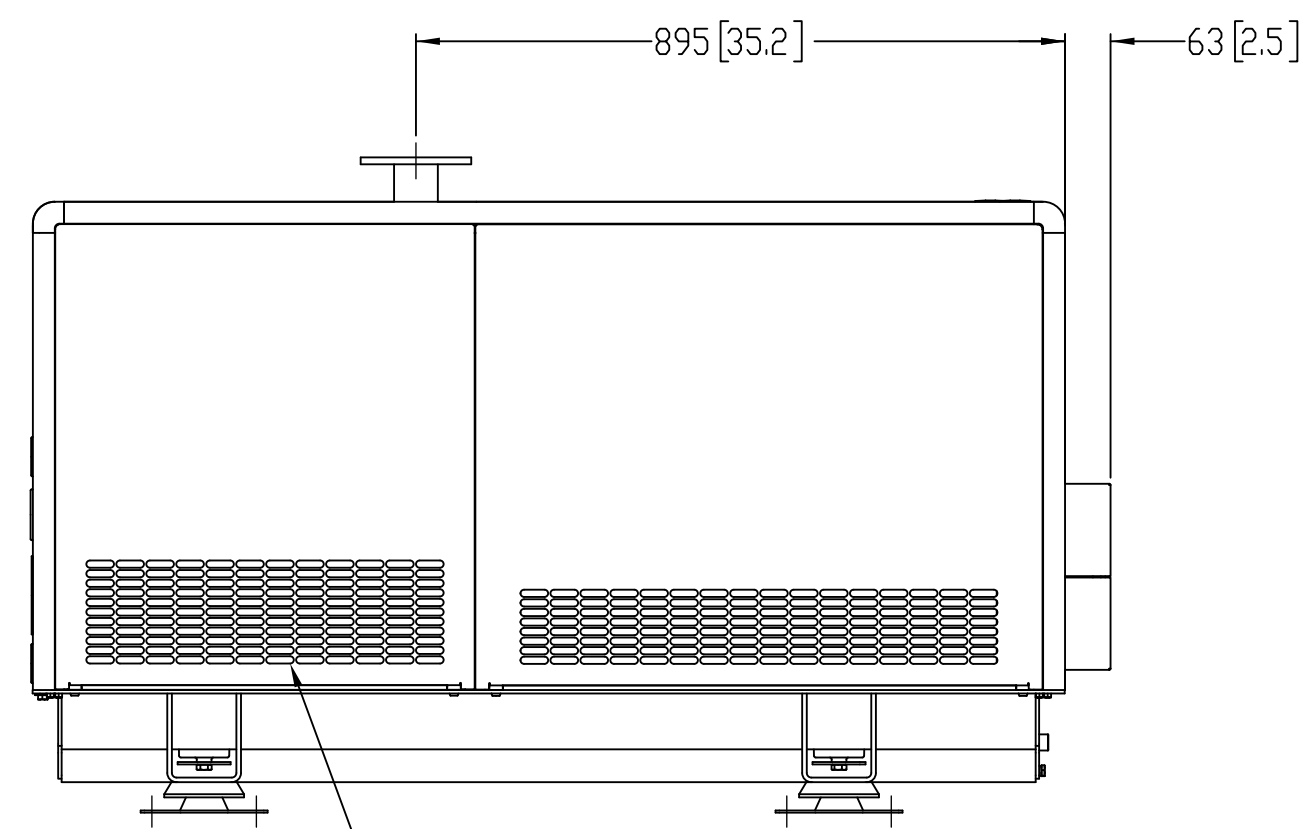
PLAN VIEW



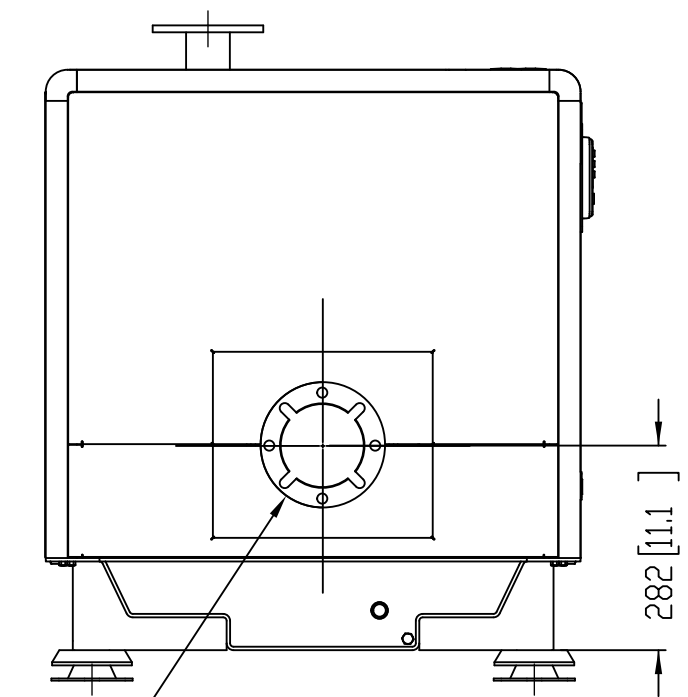
LEFT (SERVICE) SIDE VIEW



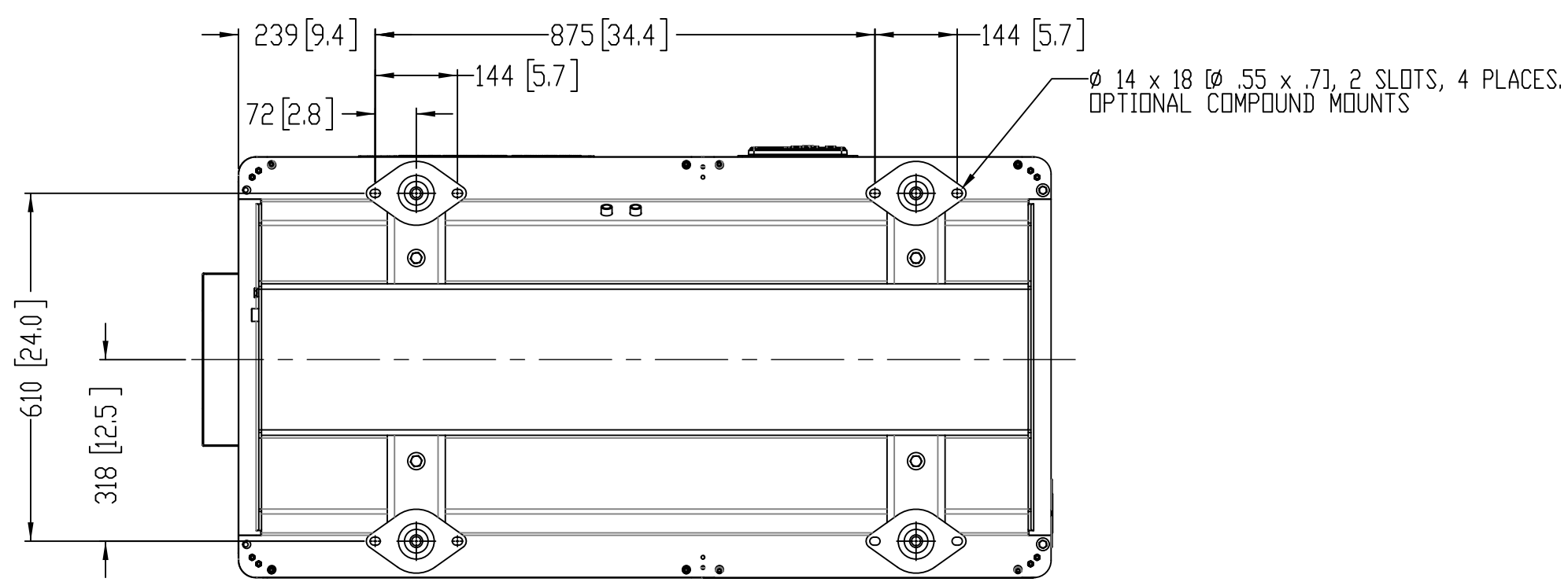
REAR VIEW



RIGHT SIDE VIEW



FRONT VIEW

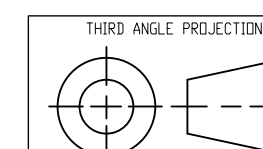


BOTTOM VIEW

THE DIMENSIONS ON THIS DRAWING ARE SUBJECT TO CHANGE. PLEASE CONTACT NORTHERN LIGHTS INC., TO BE SURE YOU HAVE THE MOST CURRENT REVISION.

WEIGHTS: 676 KG (1490 LBS)
ADD 31.8 KG (70 LBS) FOR PTO OPTION.

P/N	APPLICATION
05-01200	NLI WHITE T009-WH12
05-01205	TRAFFIC WHITE RAL 9016



THIRD ANGLE PROJECTION
UNLESS OTHERWISE SPECIFIED:
DIMENSIONS ARE IN MILLIMETERS
TOLERANCES:
ANGULAR: ± 0.5° BEND ± 1.0°
X ± 1.0
INTERPRET GEOMETRIC TOLERANCING PER ASME Y14.5M
MATERIAL:
FINISH:
DO NOT SCALE

REV.	DESCRIPTION	DATE	BY	CHECKED
D	ECN#6078 ADDED MISSING PENETRATION DIMENSIONS	7/2/2019	LTP	MG 7/2/2019
C	ADDED TSC PANEL OPTION, MOVED OPTIONS TO SHEET 2 OF 2, RESTORE SHEET 1 TO BASE CONFIGURATION, ECN#4347	10/5/2016	LTP	TAH 10/7/2016
B	DELETE WAVENET, UPDATE LOGO AND ADDED WEIGHT DATA PER ECN#3581	10/23/2015	LTP	TAH 10/29/2015
A	UPDATED INSTALLATION DWG TO SHOW DRY EXHAUST OPTION, ECN#1836	08/01/2011	LTP	MG 08/01/2011

UNLESS OTHERWISE SPECIFIED:
DIMENSIONS ARE IN MILLIMETERS
TOLERANCES:
ANGULAR: ± 0.5° BEND ± 1.0°
X ± 1.0
INTERPRET GEOMETRIC TOLERANCING PER ASME Y14.5M
MATERIAL:
FINISH:
DO NOT SCALE

PROPRIETARY AND CONFIDENTIAL
THE INFORMATION CONTAINED IN THIS DRAWING IS THE SOLE PROPERTY OF NORTHERN LIGHTS. ANY REPRODUCTION IN WHOLE OR IN PART WITHOUT THE WRITTEN PERMISSION OF NORTHERN LIGHTS IS PROHIBITED.

4420 14th AVE. N.W.
Seattle, WA 98107
(206) 789-3880
www.northern-lights.com

NORTHERN LIGHTS

TITLE:
INSTALLATION DIMENSIONS
M944W3 SOUND SHIELD, OPTIONAL EQUIPMENT

SCALE: 1:10 WEIGHT: SHEET 2 OF 2

SIZE PART NO. DWG. NO. REV
D SEE TABLE D-4526 D

D-4526