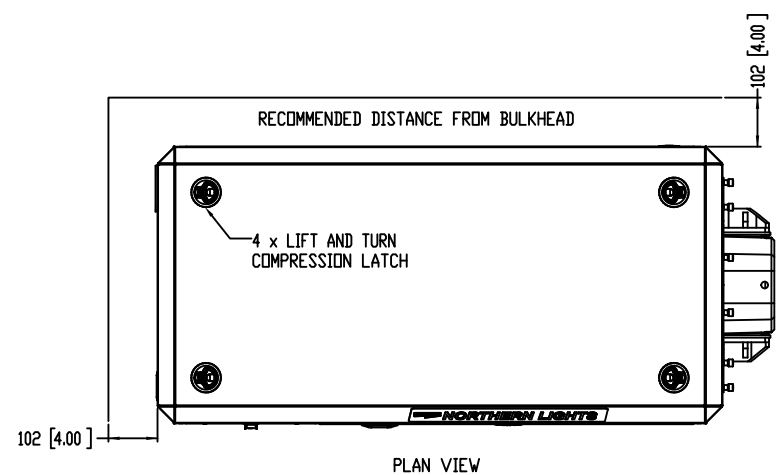
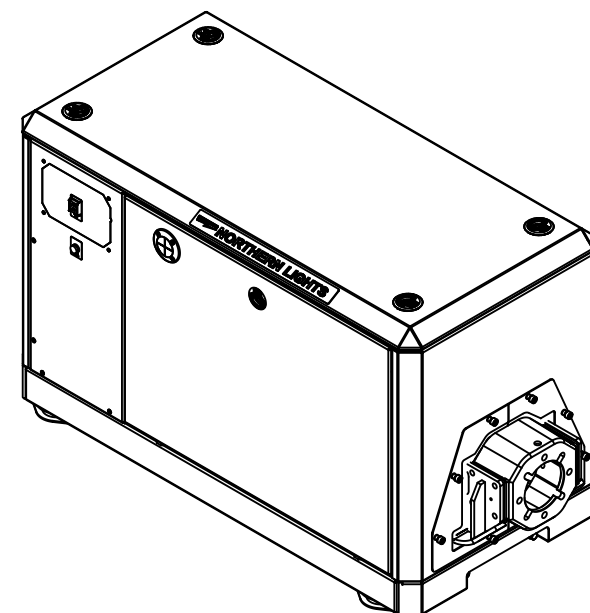
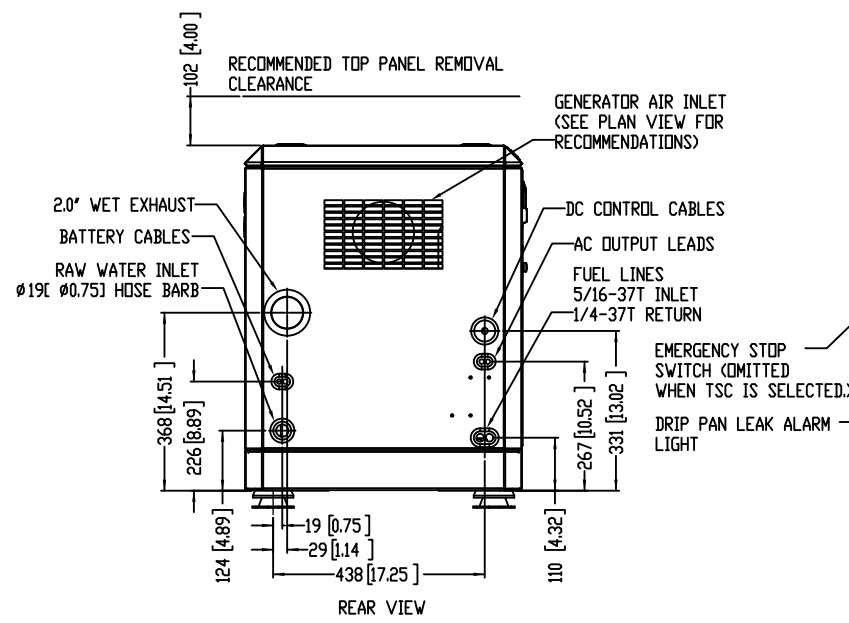


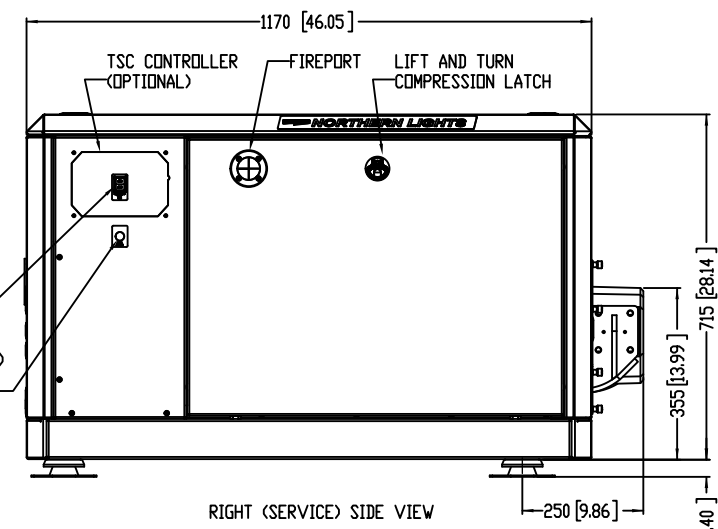
8 7 6 5 4 3 2 1



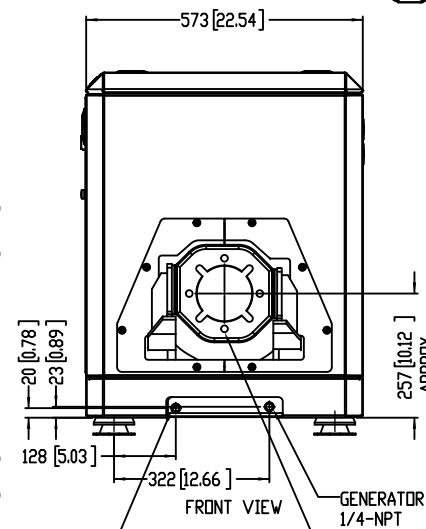
PLAN VIEW



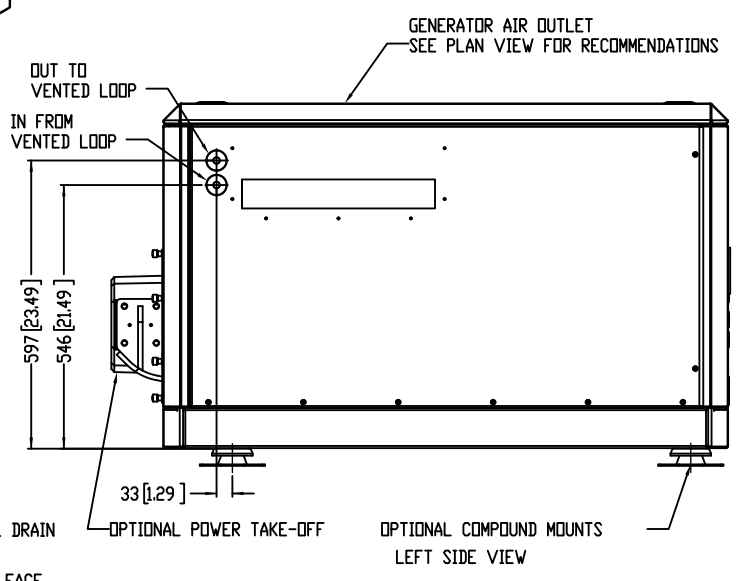
REAR VIEW



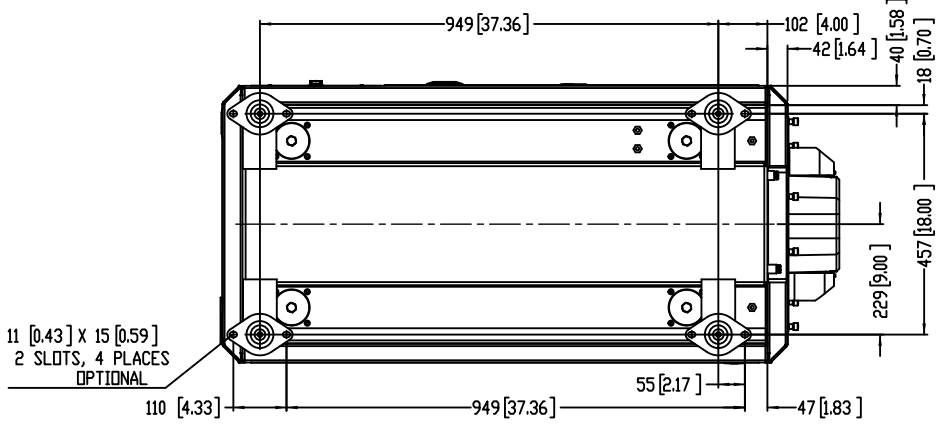
RIGHT (SERVICE) SIDE VIEW



FRONT VIEW

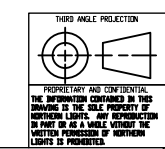


OPTIONAL COMPOUND MOUNTS LEFT SIDE VIEW



BOTTOM VIEW

THE DIMENSIONS ON THE DRAWING ARE SUBJECT TO CHANGE. PLEASE CONTACT NORTHERN LIGHTS INC TO BE SURE YOU HAVE THE MOST CURRENT REVISION.



UNLESS OTHERWISE SPECIFIED	NAME	DATE
DIMENSIONS ARE IN MILLIMETERS	GT	5/16/08
TOLERANCES:	CHECKED	
ANGLES:	ENG APPR.	
MACH ± 0.5° BEND ± 10°	MFG APPR.	
X ± 0.5	D/A	
XX ± 0.3	COMMENTS:	
INTERPRET GEOMETRIC TOLERANCING PER ASME Y14.5M		
FINISH		
DO NOT SCALE		

NORTHERN LIGHTS		4420 14th AVE. N.W. Seattle, WA 98107 (206) 789-3880 www.northern-lights.com
TITLE: INSTALLATION DIMENSIONS M844LW3 GEM SERIES SOUND SHIELD		
SIZE	PART NO.	DWG. NO.
D	06-78100	D-5103
SCALE: 1:5	WEIGHT:	SHEET 1 OF 1

REV
D
B-5103

8 7 6 5 4 3 2 1