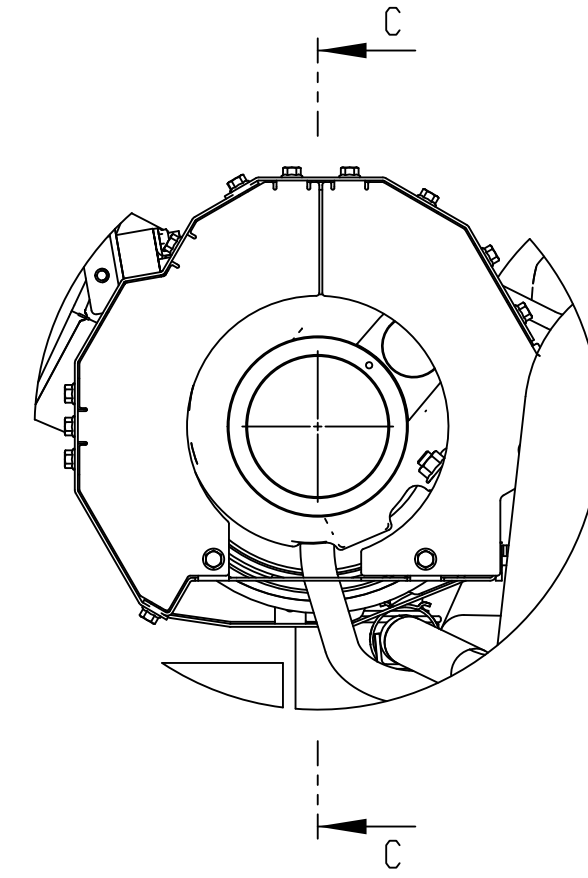
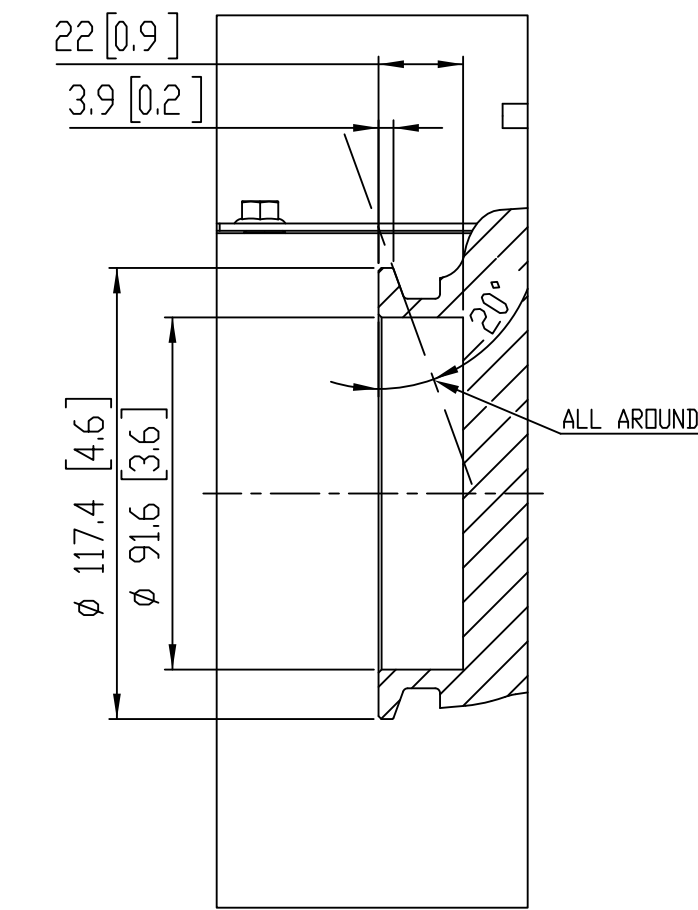


PLAN VIEW

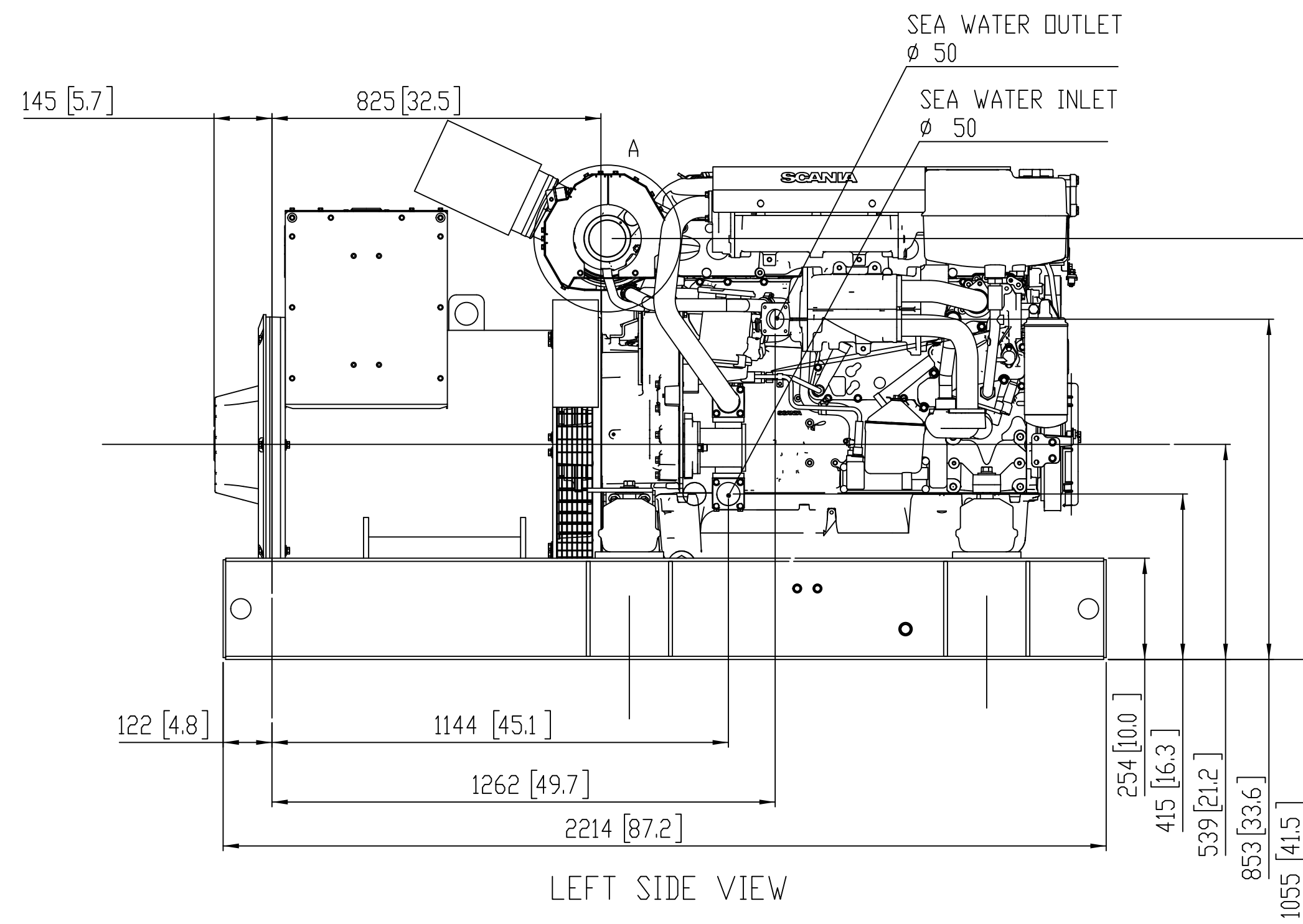


DETAIL A
SCALE 1 : 5
EXHAUST CONNECTION

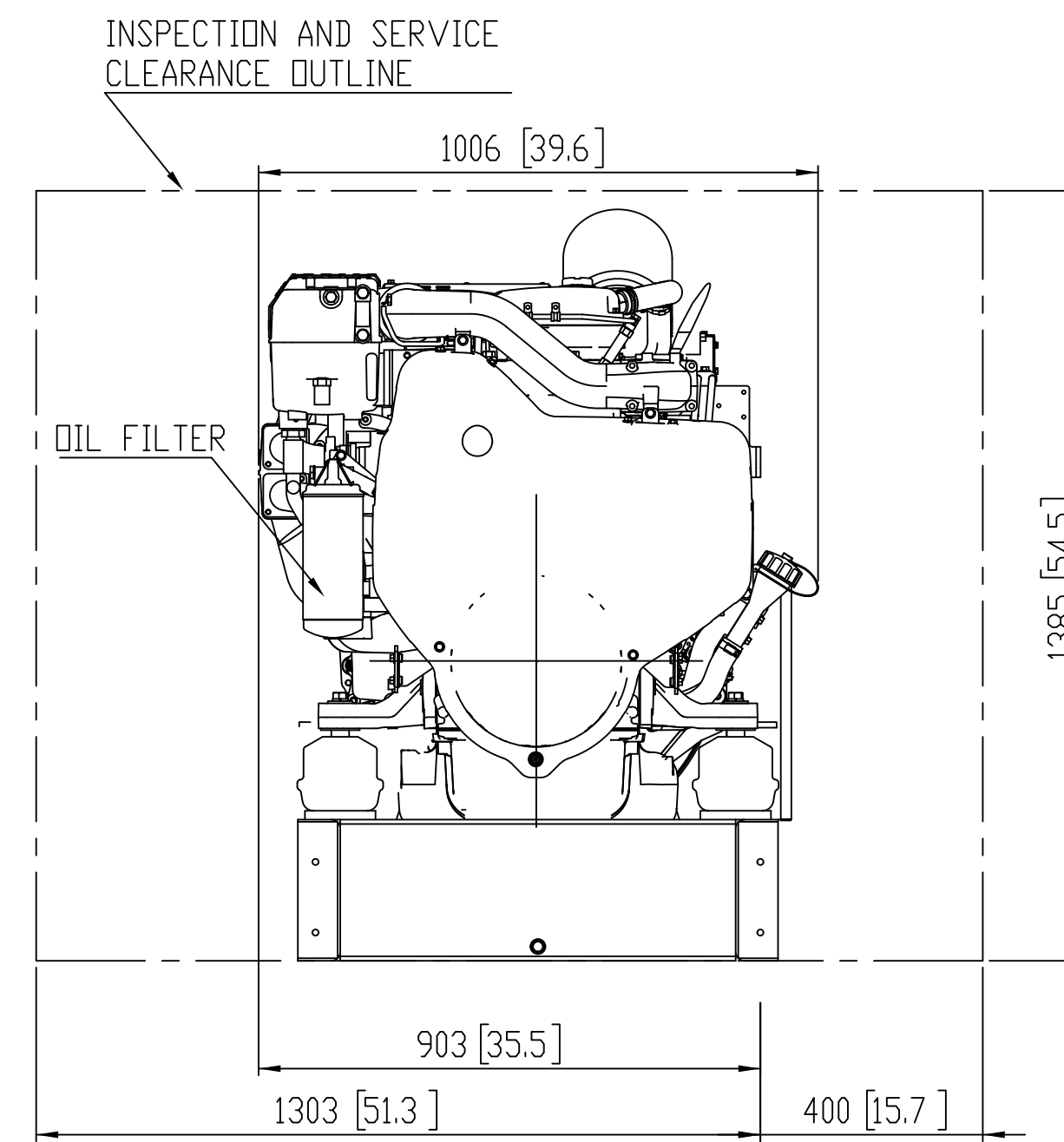


SECTION C-C
SCALE 1 : 2
EXHAUST CONNECTION
DIMENSIONS

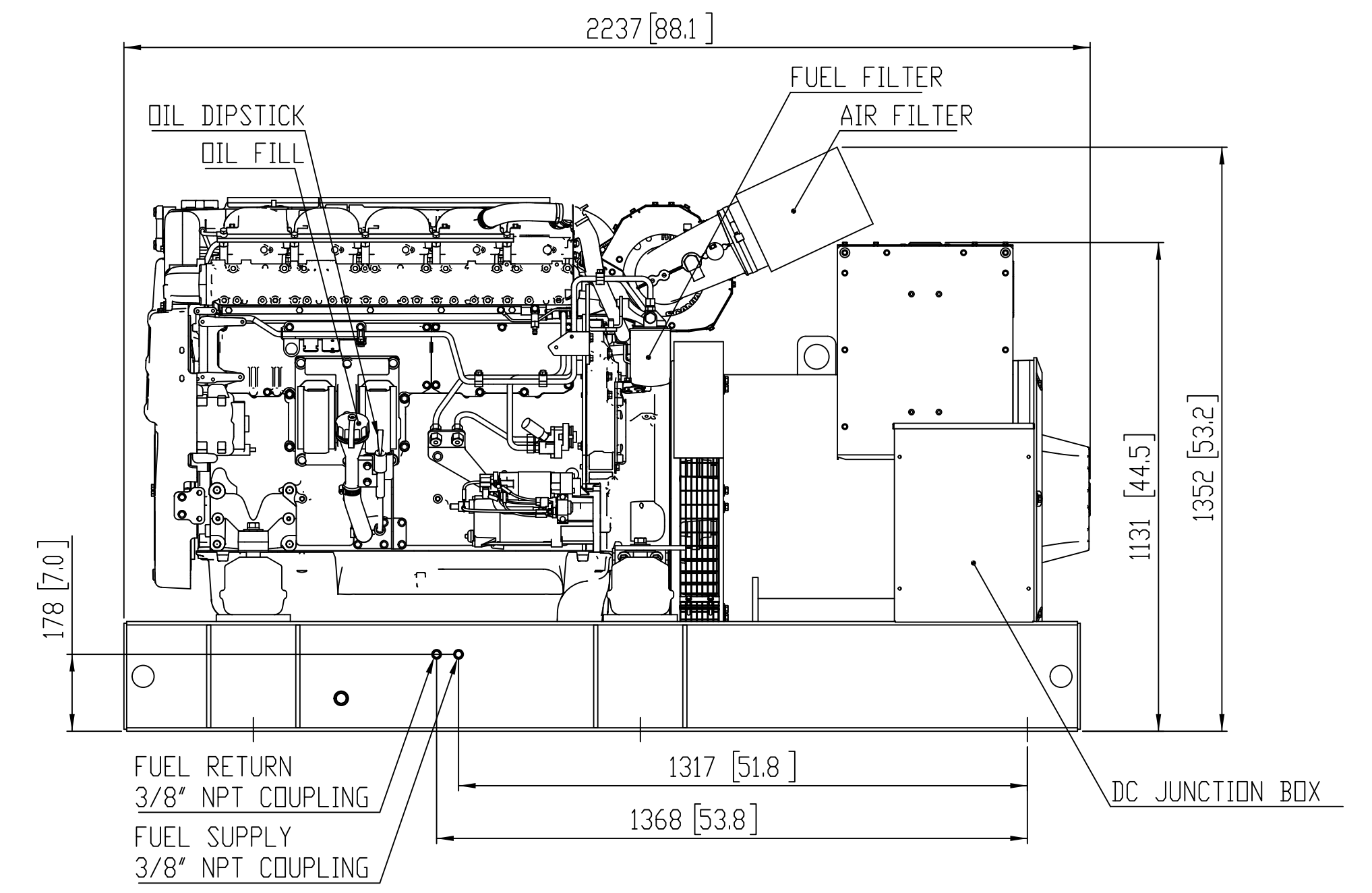
WEIGHT: 2,114 KG [4,660 LB]



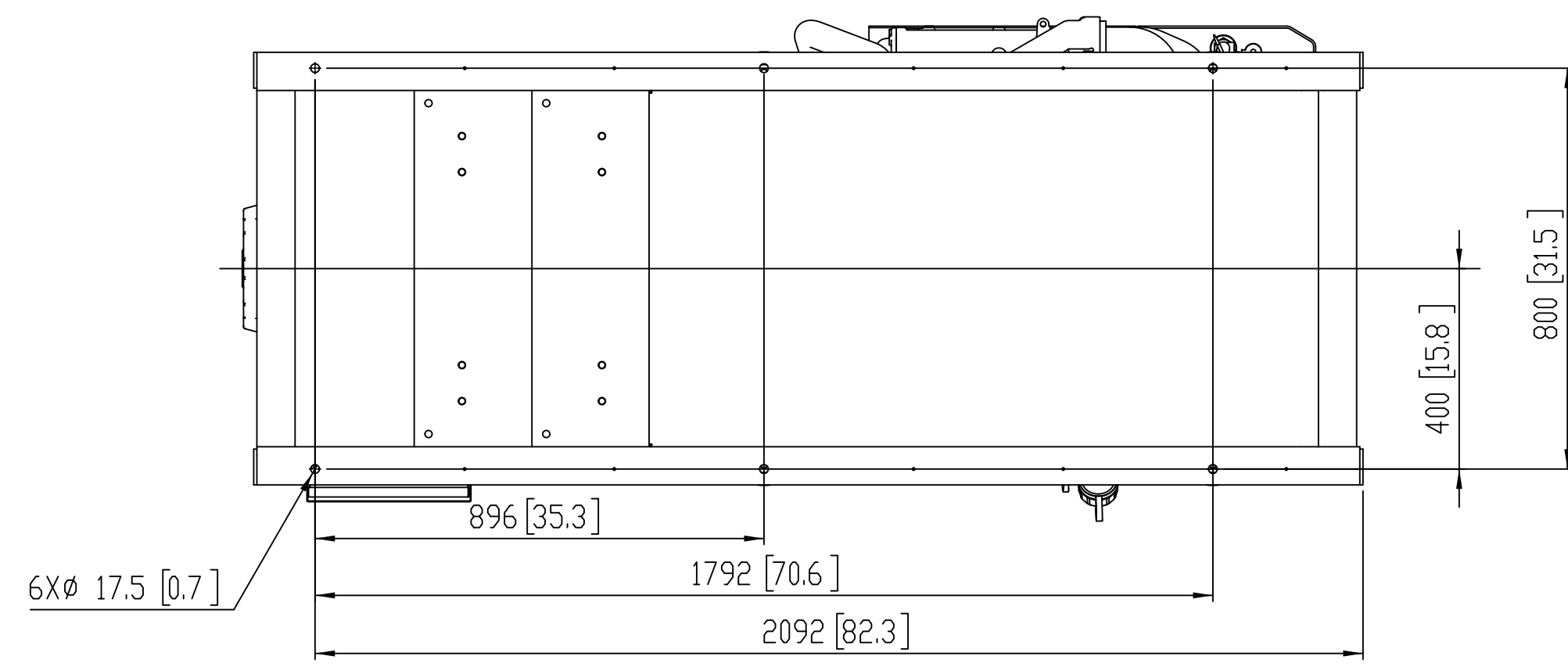
LEFT SIDE VIEW



FRONT VIEW

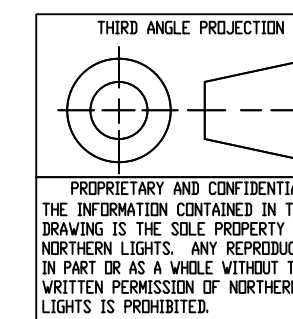


RIGHT SIDE VIEW



BOTTOM VIEW

THE DIMENSIONS ON THIS DRAWING ARE SUBJECT TO CHANGE. PLEASE CONTACT NLI TO BE SURE YOU HAVE THE MOST CURRENT REVISION



REV.	DESCRIPTION	DATE	BY	CHECKED
A	REMOVED REFERENCE TO SERVICE SIDE. FILED UNDER EDN#5414.	5/1/2018	AZB	TAH

UNLESS OTHERWISE SPECIFIED		NAME	DATE
DRAWN	AZB	12/12/16	
CHECKED	TAH	12/12/16	
ENG APPR.			
MFG APPR.			
QA			
COMMENTS			

		4420 14th AVE. N.W. Seattle, WA 98107 (206) 789-3880 www.northern-lights.com	
TITLE: INSTALLATION DIMENSIONS M1305A12:11 (431 GENERATOR END)			
SIZE	PART NO.	DWG. NO.	REV
D	M1305A12.11	D-4985	A
SCALE: 1:1	WEIGHT:	SHEET 1 OF 1	