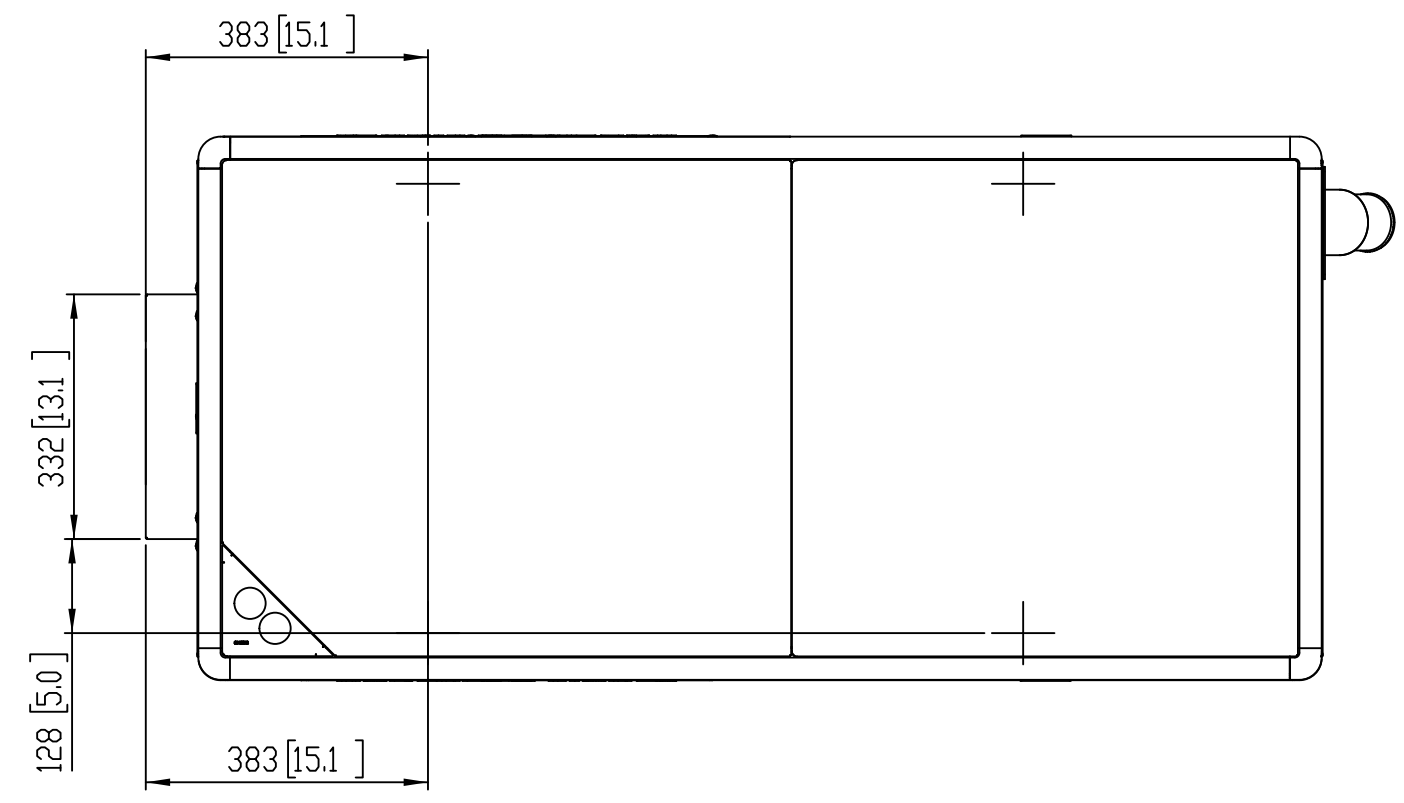


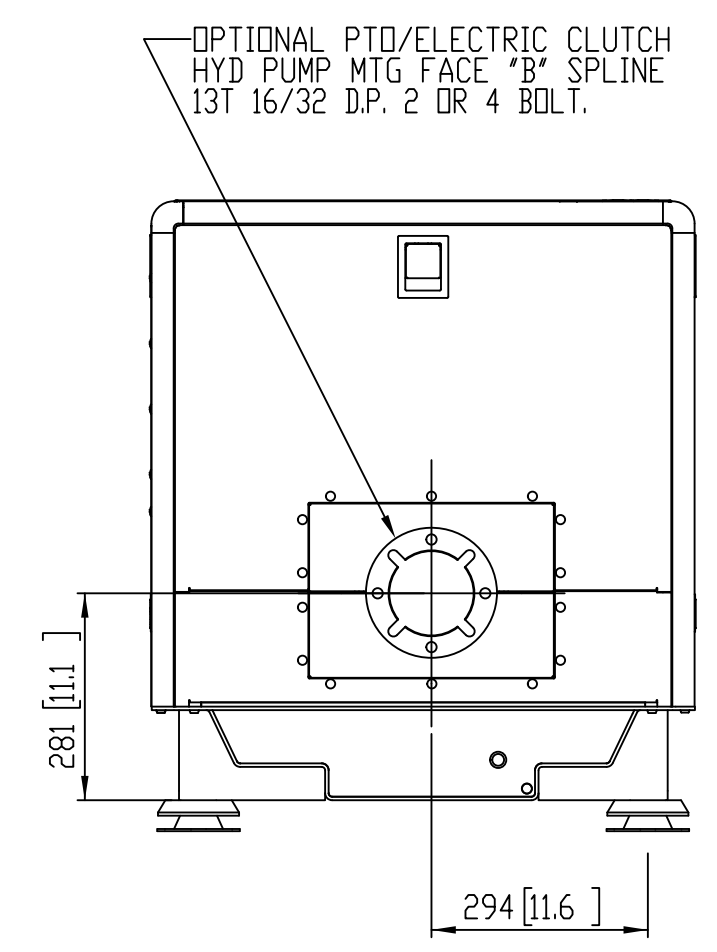
THE DIMENSIONS ON THIS DRAWING ARE SUBJECT TO CHANGE. PLEASE CONTACT NORTHERN LIGHTS INC., TO BE SURE YOU HAVE THE MOST CURRENT REVISION.

APPROX WEIGHT: 1446 LBS [656 KG]

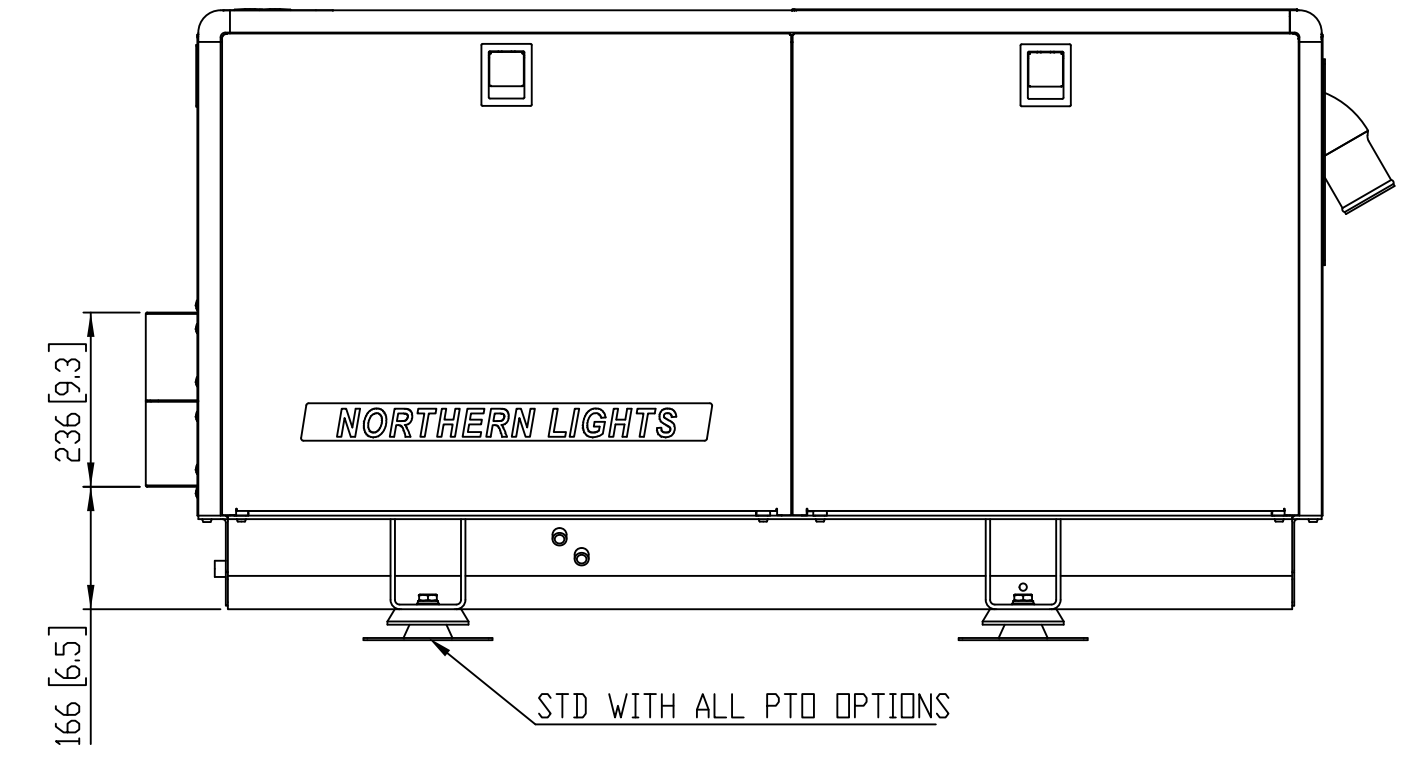
THIRD ANGLE PROJECTION		UNLESS OTHERWISE SPECIFIED		NAME DATE			4420 14th AVE. N.W. Seattle, WA 98107 (206) 789-3880 www.northern-lights.com	
DIMENSIONS ARE IN MILLIMETERS		DRAWN GT 07/10/17		CHECKED TH 07/10/17			TITLE: INSTALLATION DIMENSIONS M944T3F SOUND SHIELD	
TOLERANCES: ANGULAR: MACH ± 0.5° BEND ± 10° X ± 0.5 X/Y ± 0.2		ENG. APPR.		MATERIAL		SIZE PART NO. DWG. NO. REV		SHEET 1 OF 3
INTERPRET GEOMETRIC TOLERANCING PER: ASME Y14.5M		FINISH		COMMENTS		D 05-01265 D-5023		
DO NOT SCALE		SCALE: 1:20		WEIGHT:				



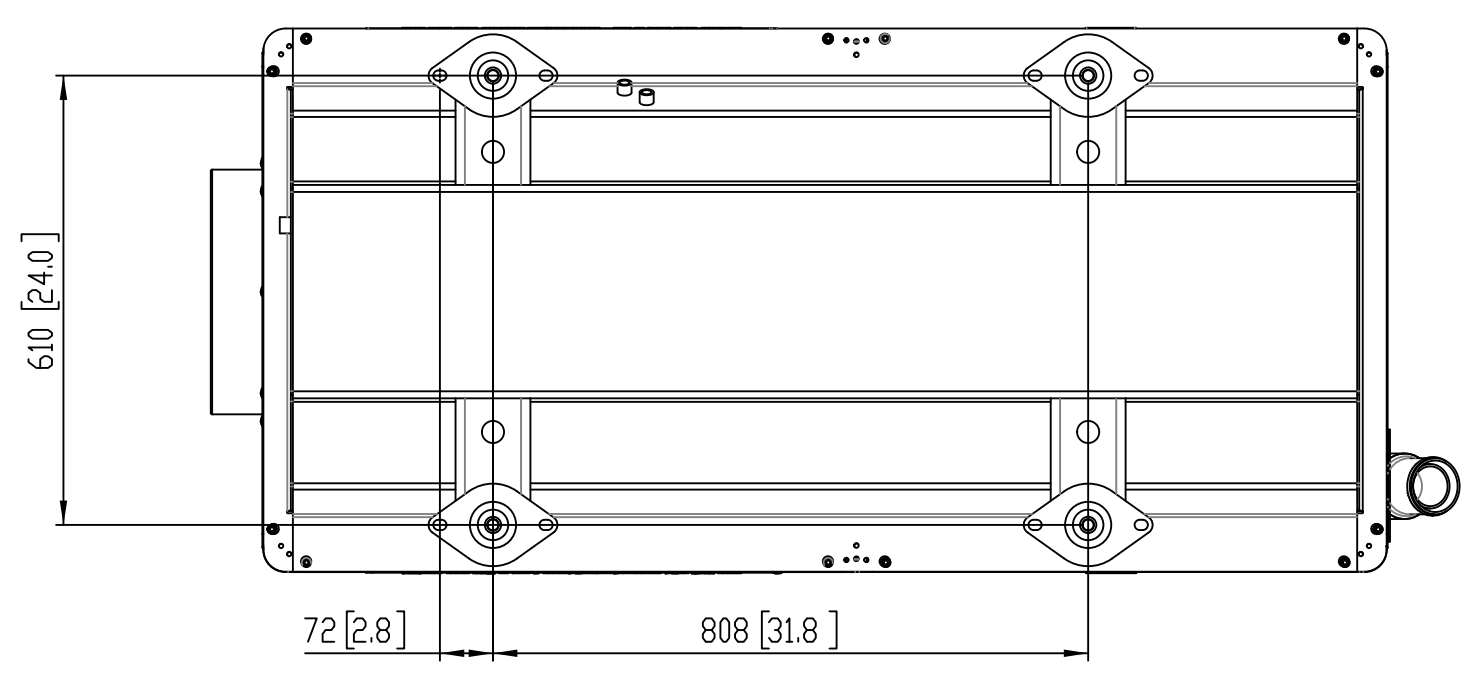
PLAN VIEW



FRONT VIEW

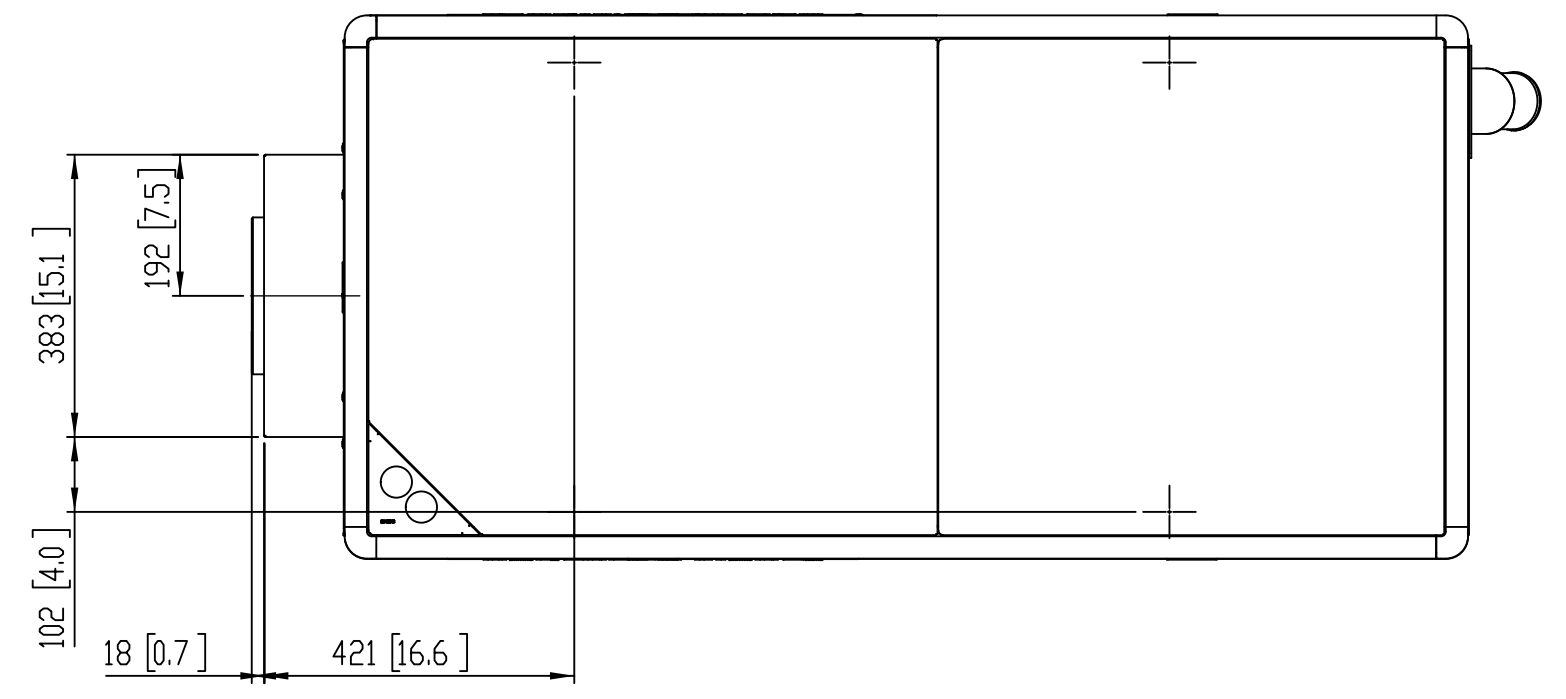


LEFT (SERVICE) SIDE VIEW

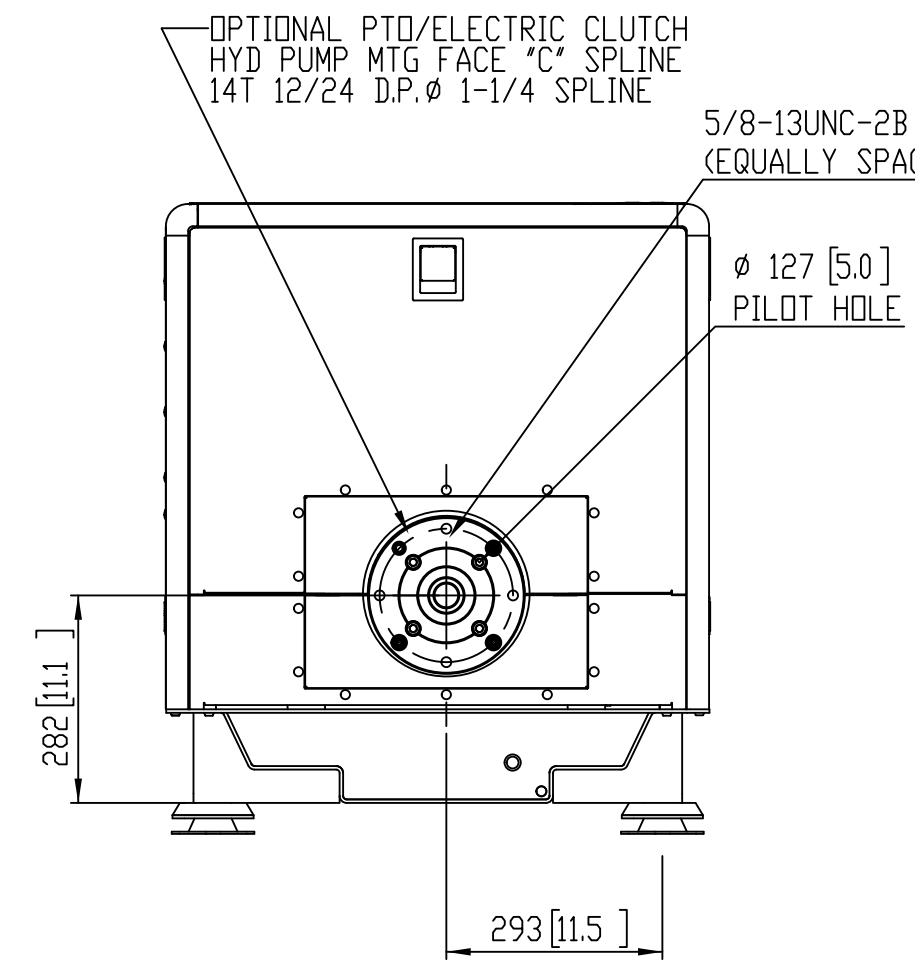


BOTTOM VIEW

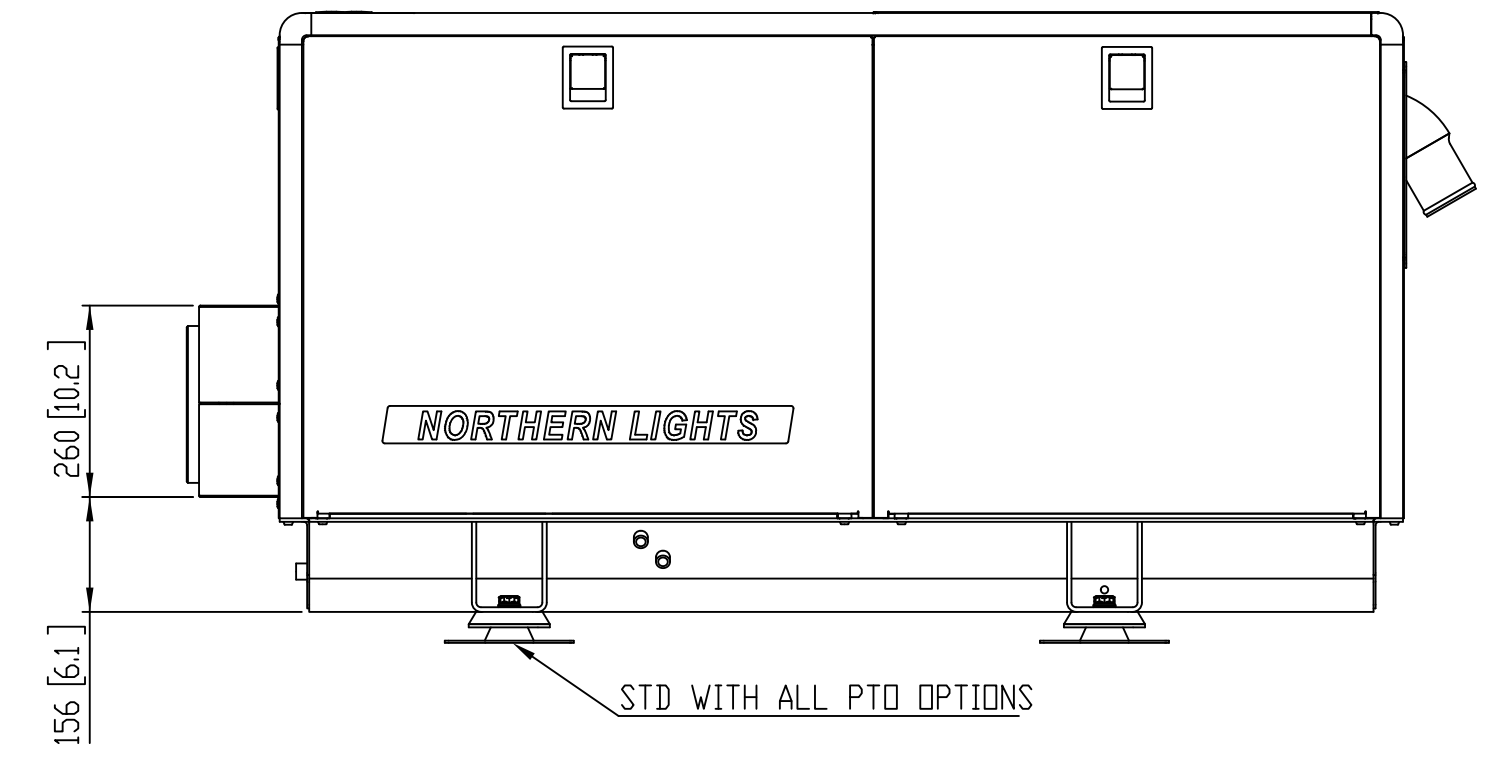
B-SPLINE PTO OPTION



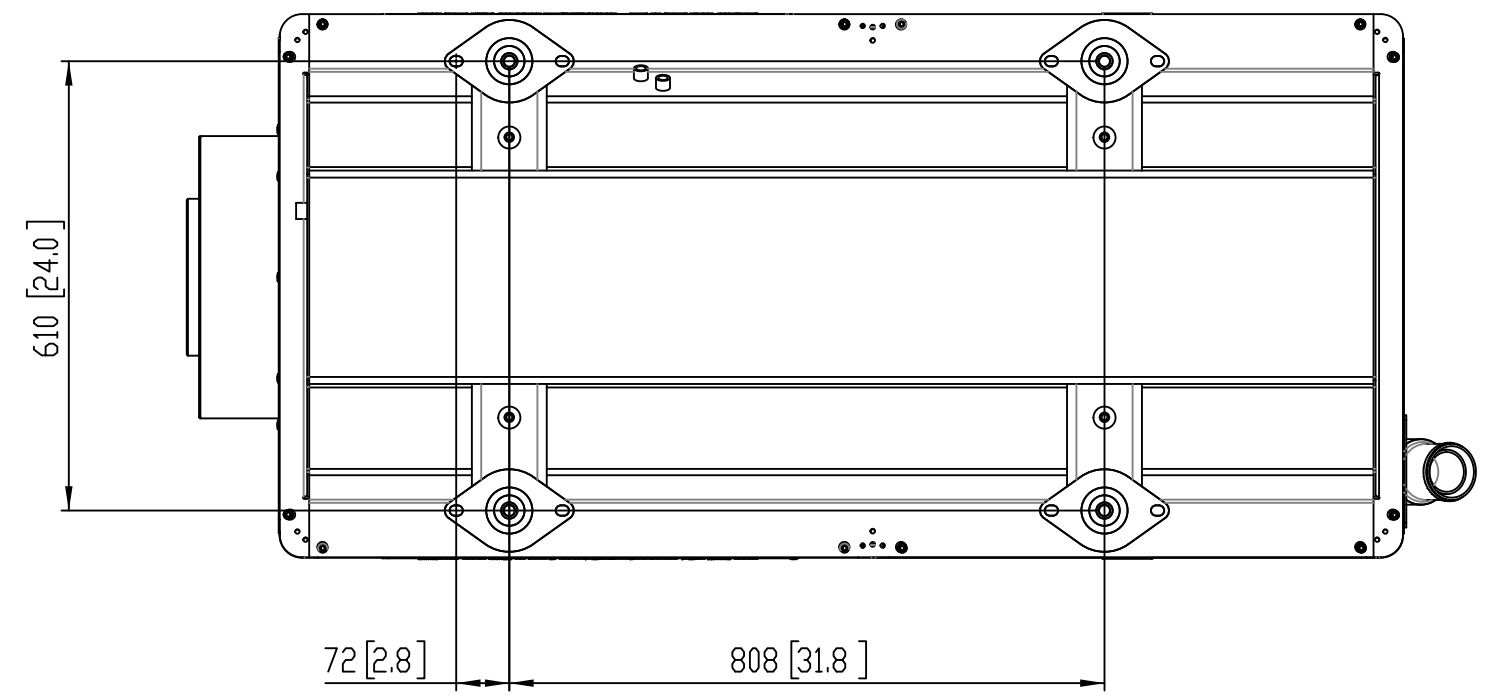
PLAN VIEW



FRONT VIEW



LEFT (SERVICE) SIDE VIEW

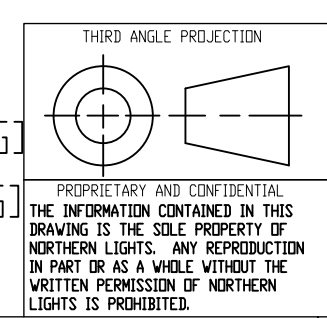


BOTTOM VIEW

C-SPLINE PTO OPTION

THE DIMENSIONS ON THIS DRAWING ARE SUBJECT TO CHANGE. PLEASE CONTACT NORTHERN LIGHTS INC., TO BE SURE YOU HAVE THE MOST CURRENT REVISION.

WEIGHT: 1446 LBS [656 KG]
 WEIGHT WITH PTO OPTION (B-SPLINE): 1541 LBS [699 KG]
 WEIGHT WITH PTO OPTION (C-SPLINE): 1580 LBS [717 KG]



UNLESS OTHERWISE SPECIFIED		NAME	NORTHERN LIGHTS		4420 14th AVE. N.W. Seattle, WA 98107 (206) 789-3880 www.northern-lights.com
DIMENSIONS ARE IN MILLIMETERS	DRAWN	GT	07/10/17	TITLE: INSTALLATION DIMENSIONS M944T3F SOUND SHIELD, OPTIONAL EQUIPMENT SIZE: D PART NO. 05-01265 DWG. NO. D-5023 REV SCALE: 1:20 WEIGHT: SHEET 3 OF 3	
TOLERANCES:	CHECKED	TH	07/10/17		
ANGULAR:	ENG. APPR.				
MACH ± 0.5° BEND ± 10°	WTG. APPR.				
X ± 0.5	D.A.			COMMENTS	
± 0.2	INTERPRET GEOMETRIC TOLERANCING PER: ASME Y14.5M	MATERIAL			
FINISH	DO NOT SCALE				

D-5023