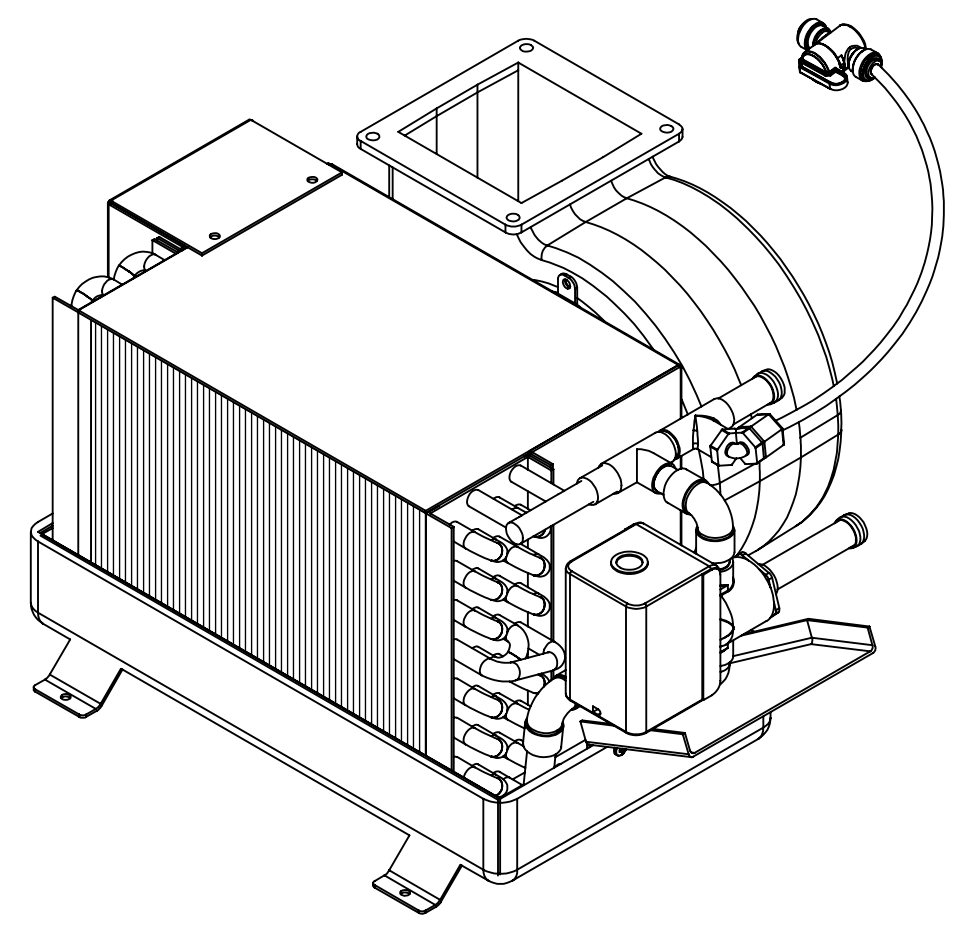
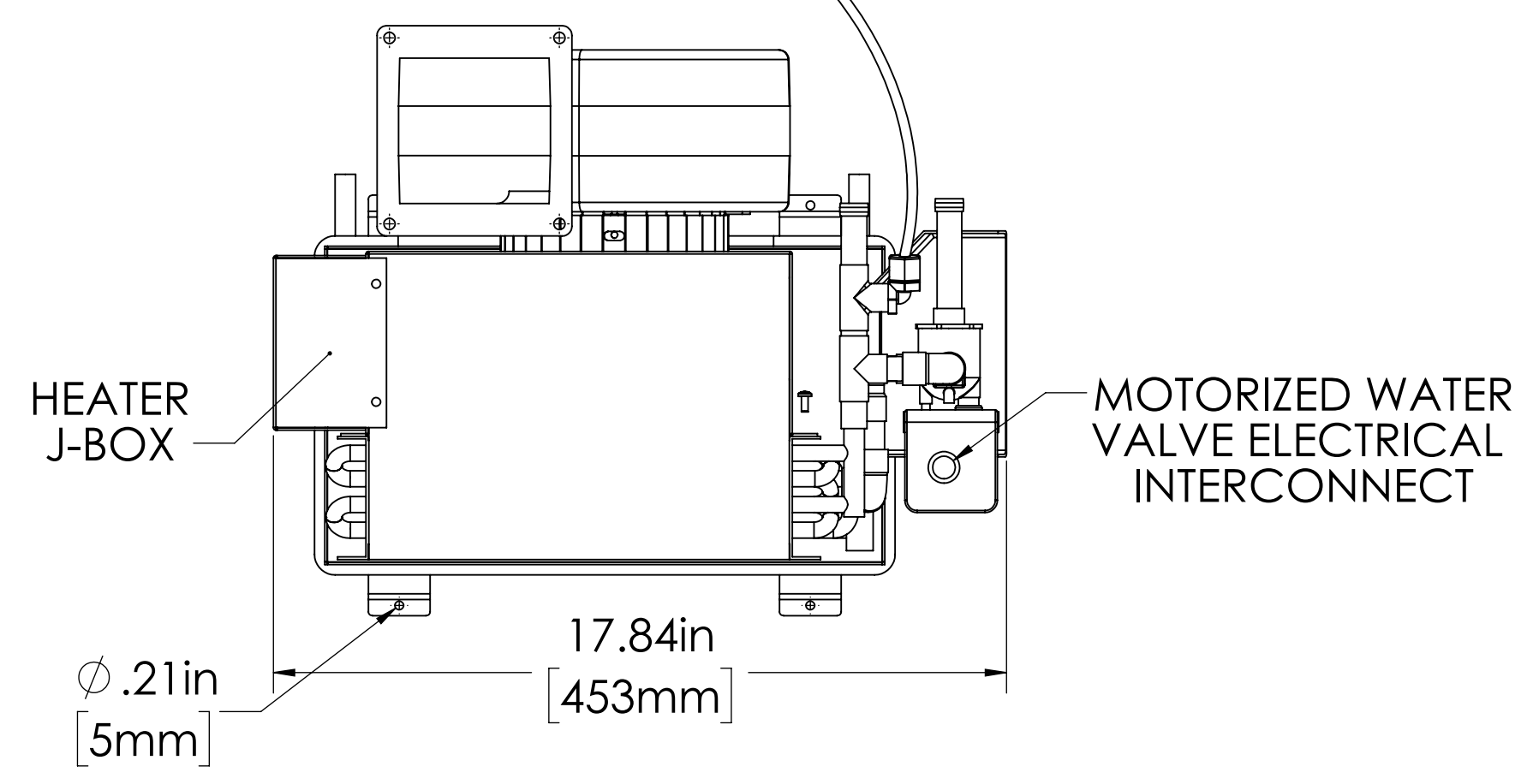


8 7 6 5 4 3 2 1

F
E
D
C
B
A

F
E
D
C
B
A

TOP
1/8" FPT
AIR VENT VALVE
16" LONG HOSE



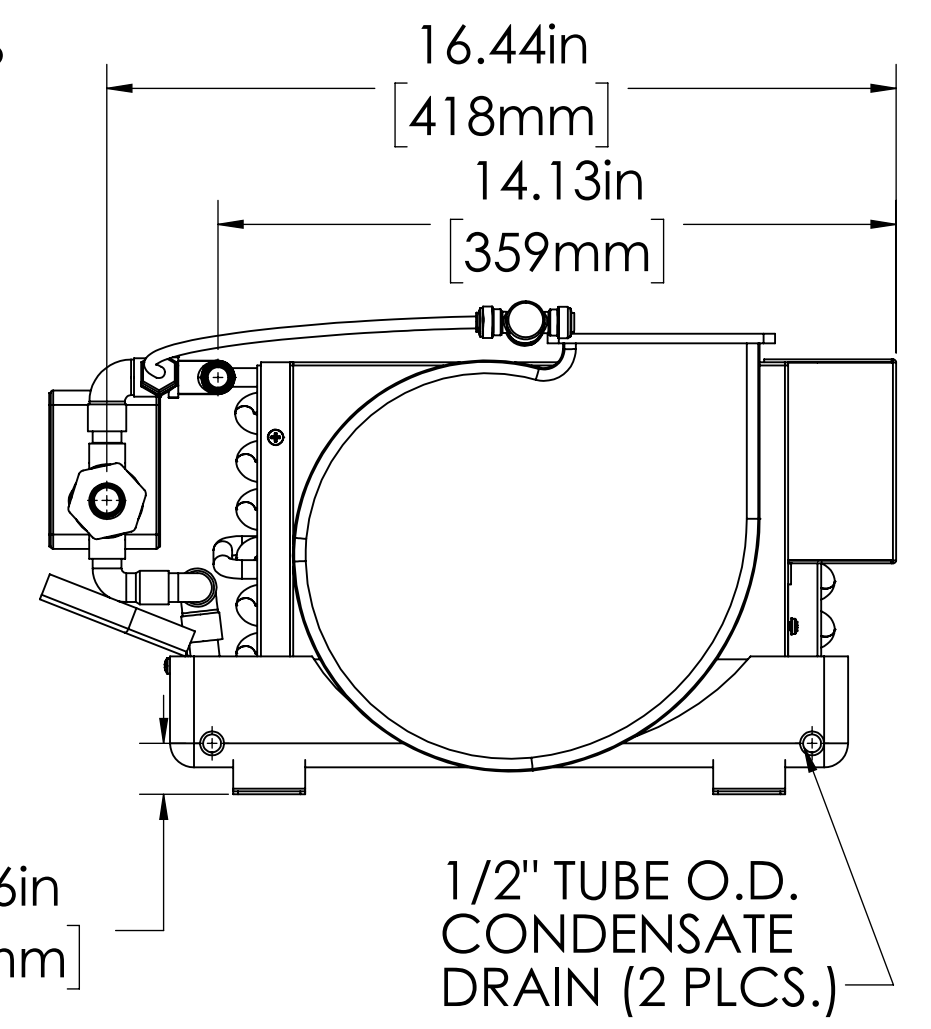
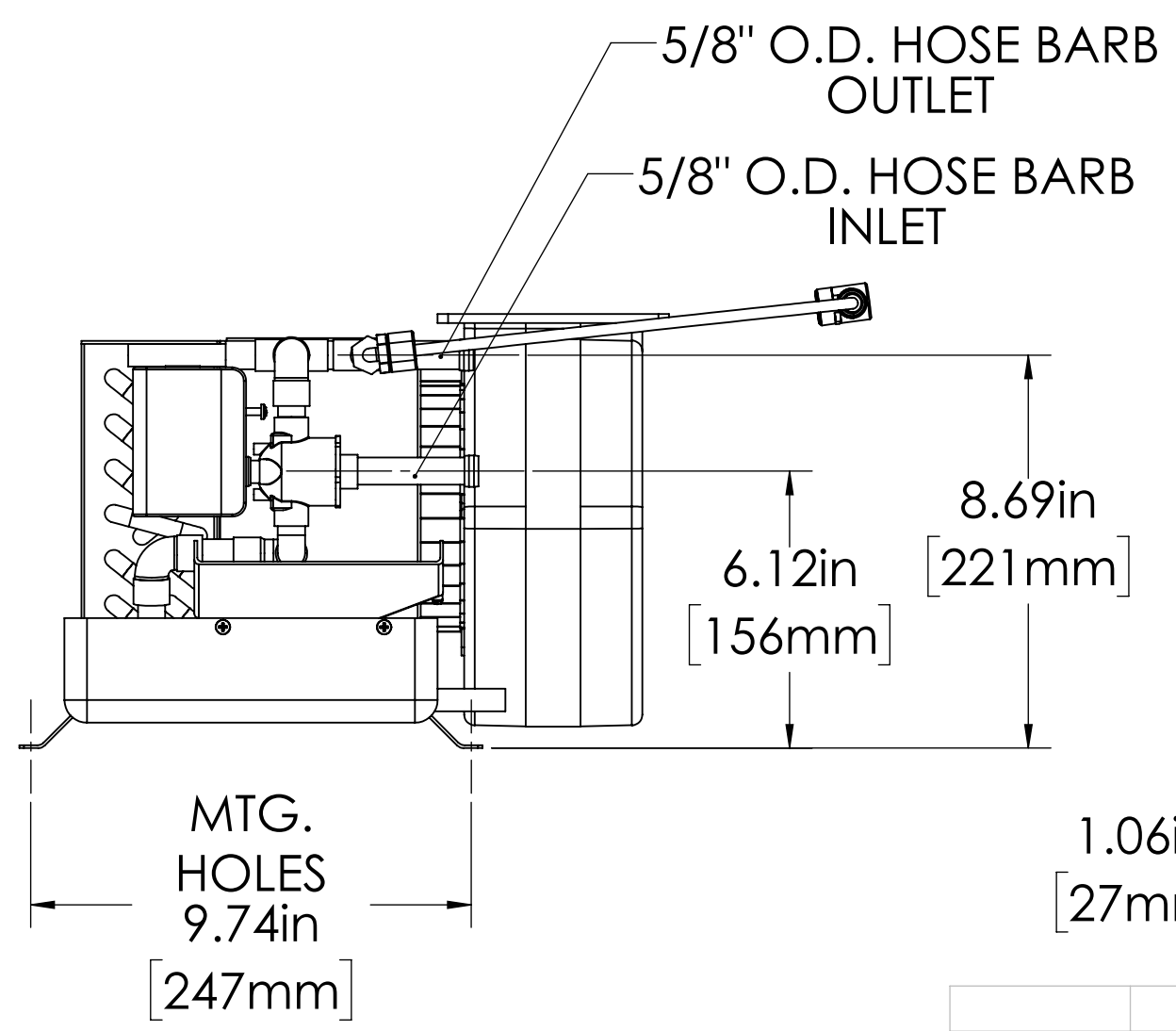
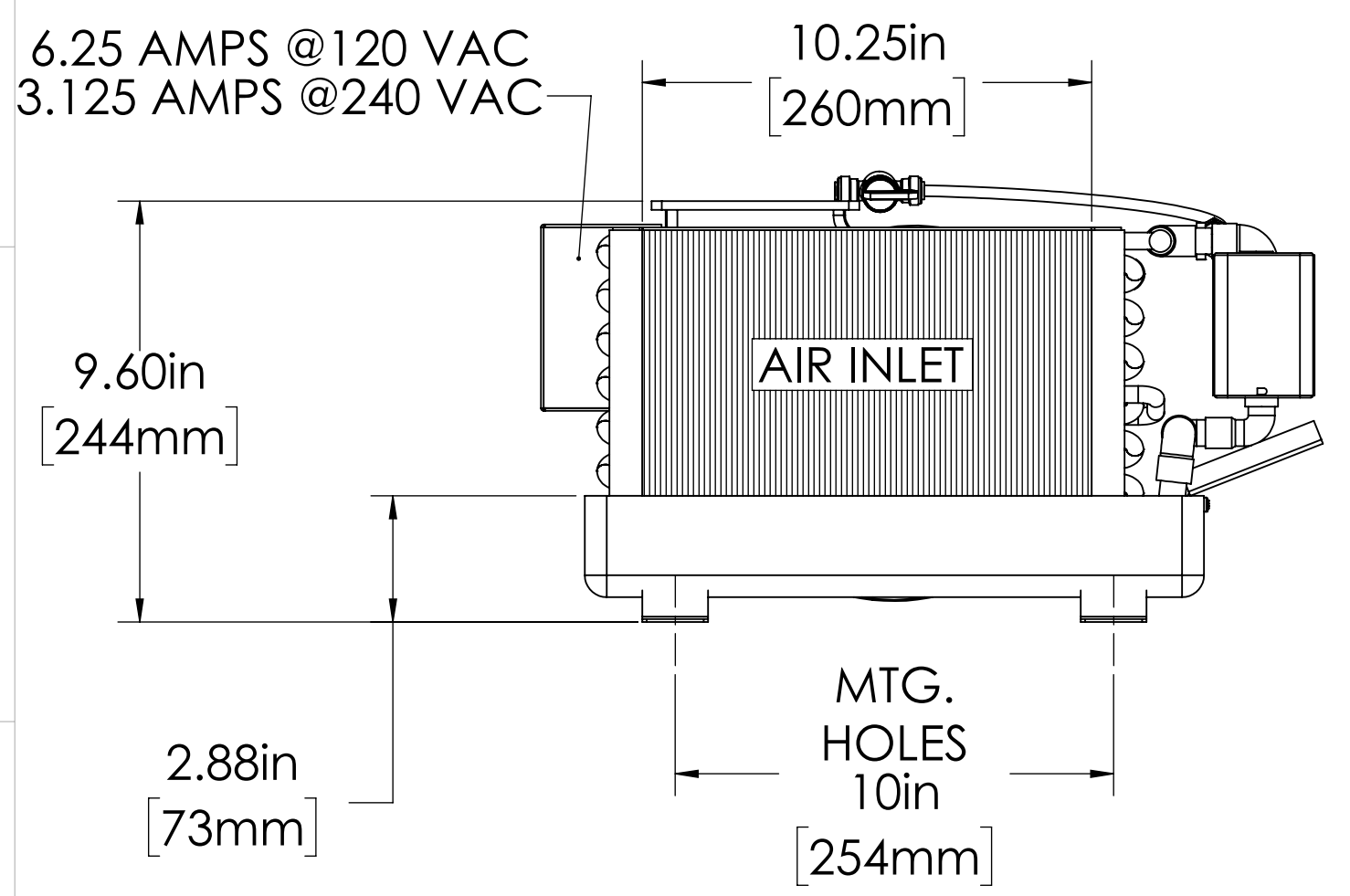
.75 kW HEATER
ELECTRICAL
INTERCONNECT

FRONT

SIDE

BACK

6.25 AMPS @120 VAC
3.125 AMPS @240 VAC



AMP DRAW	115V	230V
BLOWER	1.12	.56
HEAT	6.52	3.26

WEIGHT: 27.85 [12.63 KG] CFM: 265

PROPRIETARY AND CONFIDENTIAL
THE INFORMATION CONTAINED IN THIS DRAWING IS THE SOLE PROPERTY OF TECHNICALD. ANY REPRODUCTION IN PART OR AS A WHOLE WITHOUT THE WRITTEN PERMISSION OF TECHNICALD IS PROHIBITED.

UNLESS OTHERWISE SPECIFIED:		NAME	DATE
DIMENSIONS ARE IN INCHES		MCE	12/13/2019
TOLERANCES:		CHECKED	
FRACTIONAL ±		ENG APPR.	
ANGULAR: MACH ±		MFG APPR.	
BEND ±		Q.A.	
TWO PLACE DECIMAL ±		COMMENTS:	
THREE PLACE DECIMAL ±			
INTERPRET GEOMETRIC TOLERANCING PER:	FINISH		
MATERIAL			
NEXT ASSY	USED ON		
APPLICATION	DO NOT SCALE DRAWING		

TECHNICOLD
by NORTHERN LIGHTS

TITLE: RA08VHB
.75KW HEATER

SIZE DWG. NO. REV
C M90105 **3**

SCALE: 1:4 WEIGHT: SHEET 1 OF 1

8 7 6 5 4 3 2 1