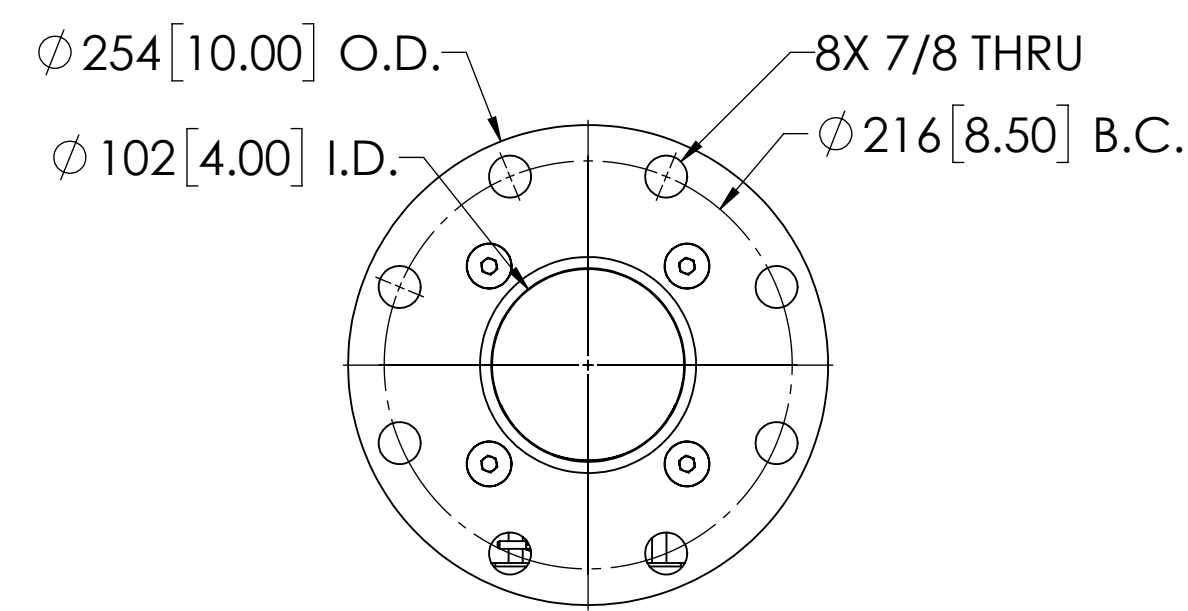
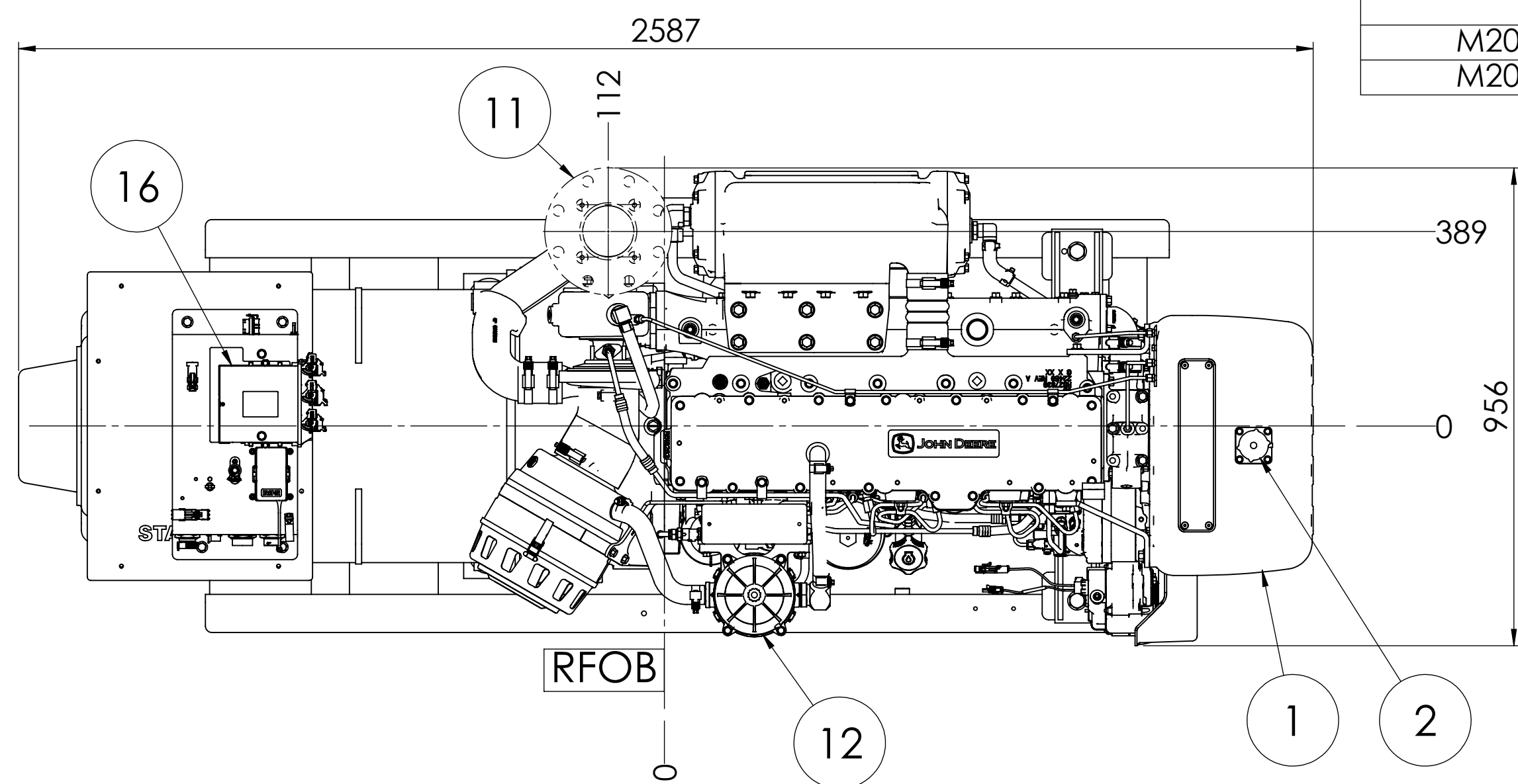
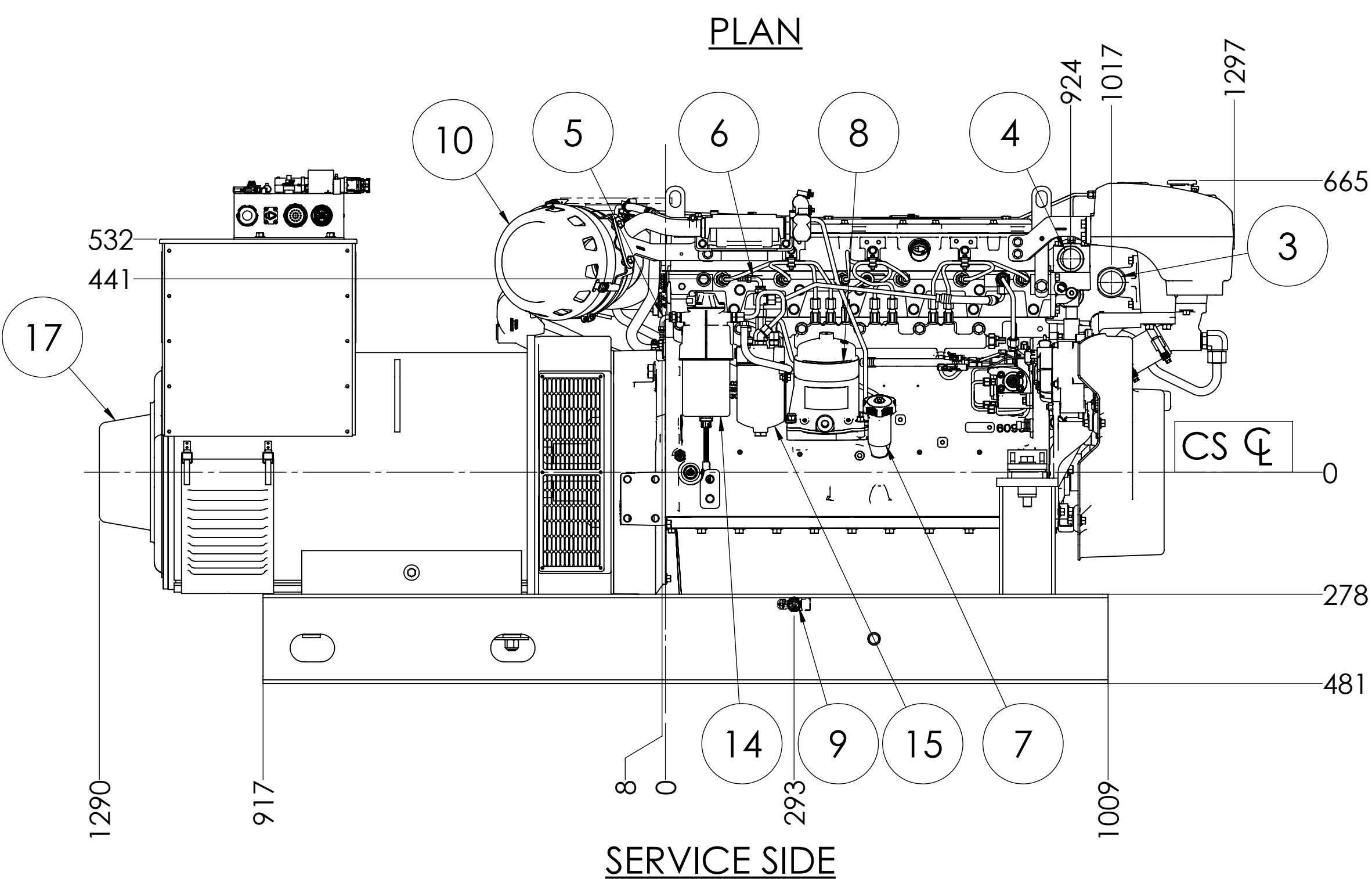


MODEL	DESCRIPTION	DRY WEIGHT	C.G.		
			X	Y	Z
M200C13.2S	200kW@1800RPM 3PH K.C.	2132 kg [4700 LBS]	2	-20	78
M200C13.6S	175kW@1500RPM 3PH K.C.	2223 kg [4900 LBS]	-29	-19	75

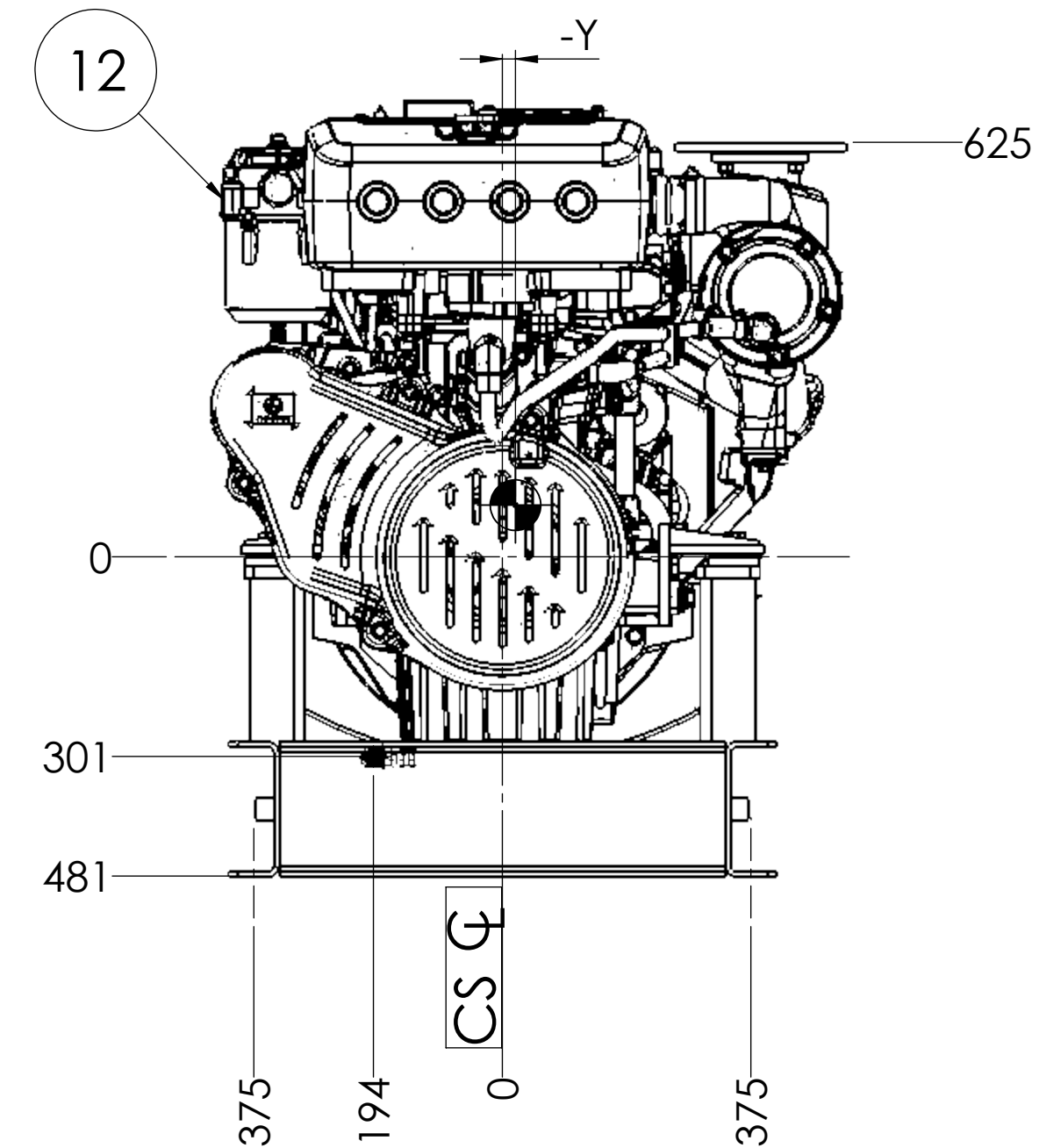
ITEM	DESCRIPTION
1	EXPANSION TANK
2	COOLANT FILL
3	COOLANT INLET (IN FROM KEEL COOLER) ϕ 2.5 H.B.
4	COOLANT OUTLET (OUT TO KEEL COOLER) ϕ 2.28 H.B.
5	FUEL SUPPLY ϕ 3/8 H.B.
6	FUEL RETURN ϕ 3/8 H.B.
7	CRANKCASE OIL FILLER / DIPSTICK
8	CRANKCASE OIL FILTER
9	ENGINE OIL DRAIN VALVE - ϕ 7/8-14
10	AIR INLET FILTER
11	OPTIONAL DRY EXHAUST ELBOW - SEE DETAIL
12	CLOSED CRANKCASE VENTILATION SYSTEM
13	ELECTRIC STARTER
14	PRIMARY FUEL FILTER
15	FINAL FUEL FILTER
16	ENGINE CONTROL UNIT
17	PMG



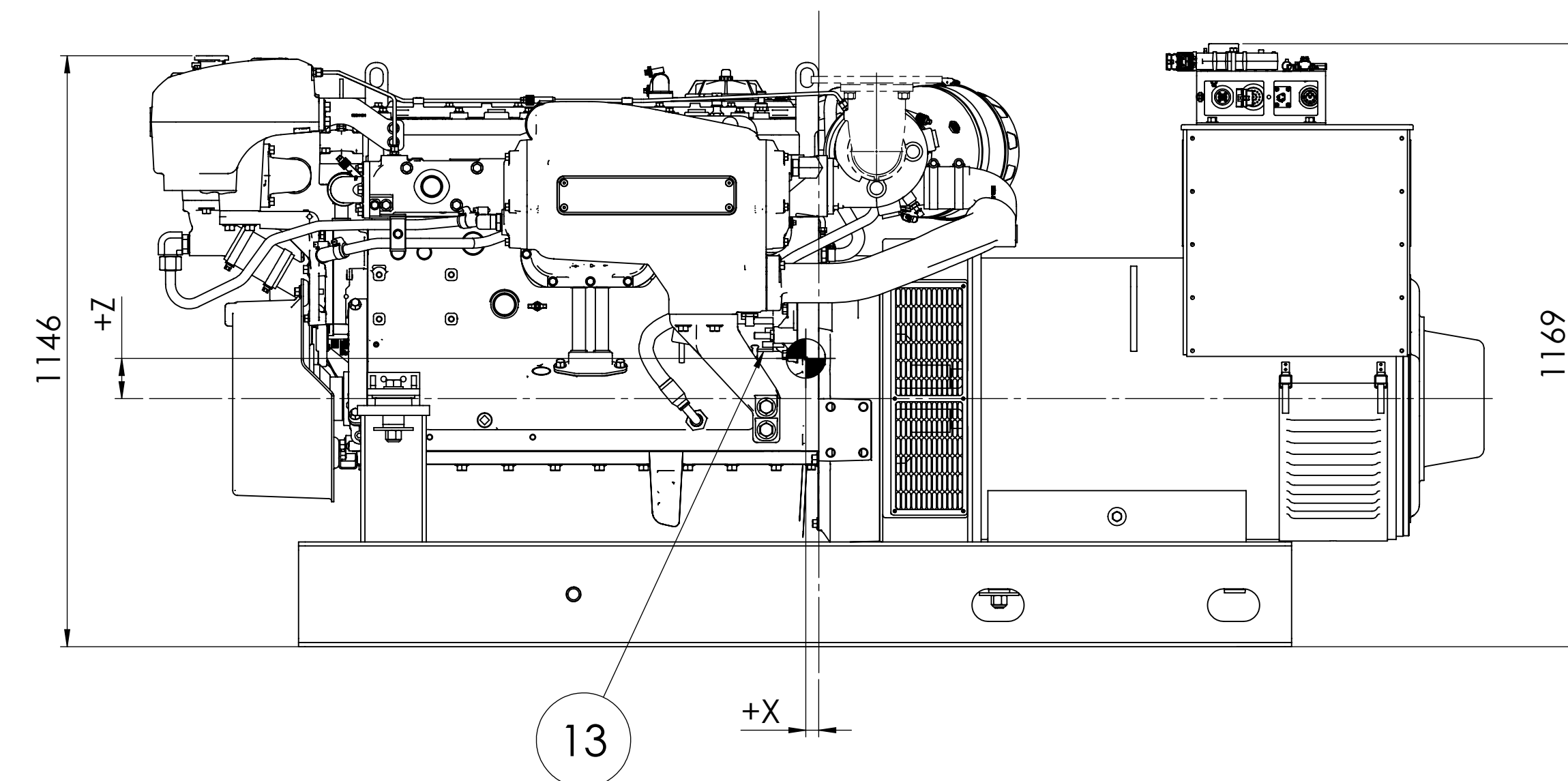
OPTIONAL DRY EXHAUST ELBOW
SCALE: 1:4



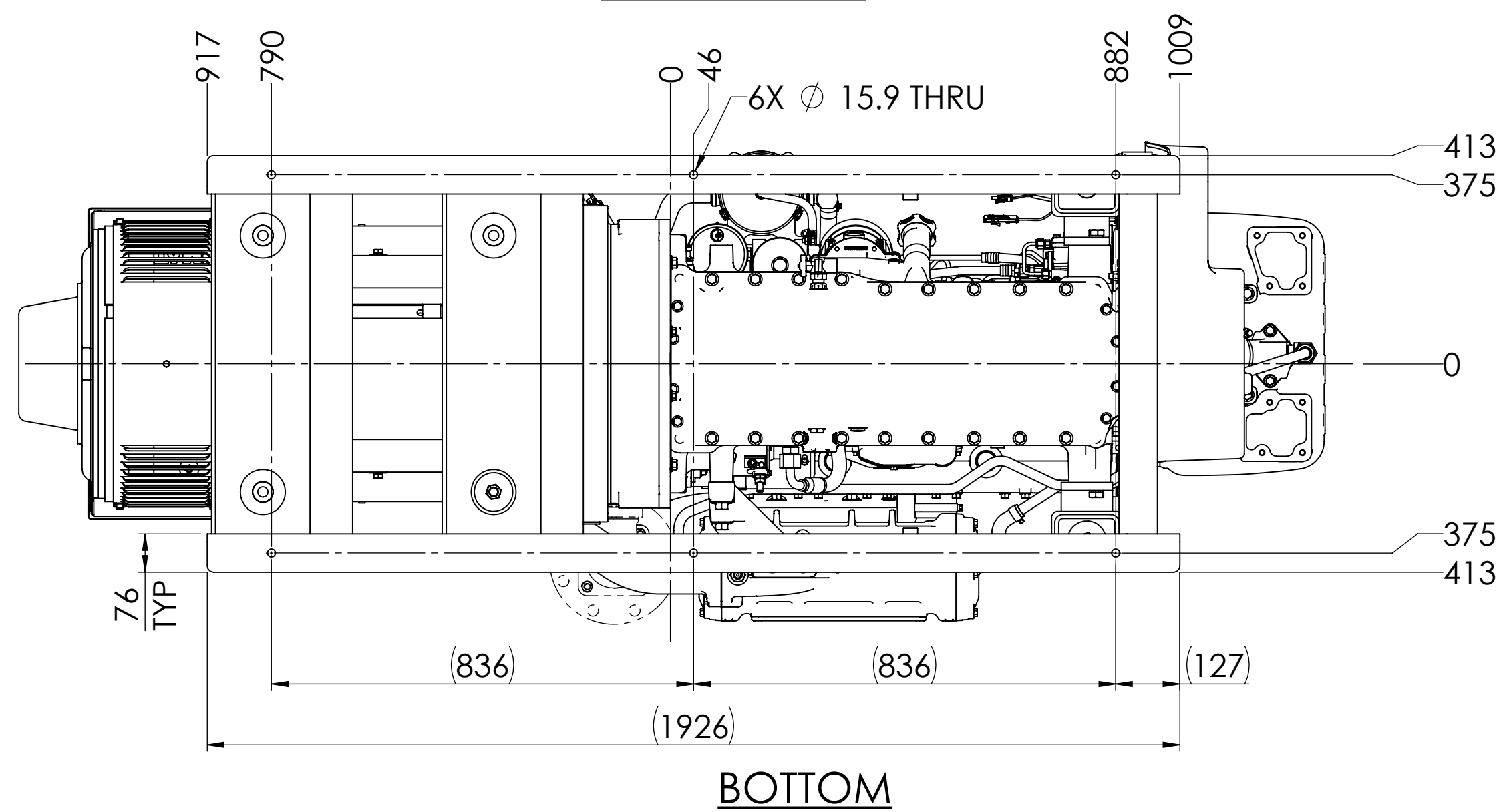
SERVICE SIDE



FRONT

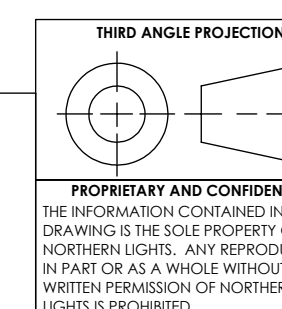


NON-SERVICE SIDE



BOTTOM

THE DIMENSIONS ON THIS DRAWING ARE SUBJECT TO CHANGE. PLEASE CONTACT NLI TO BE SURE YOU HAVE THE MOST CURRENT REVISION.



PROPRIETARY AND CONFIDENTIAL
THE INFORMATION CONTAINED IN THIS DRAWING IS THE SOLE PROPERTY OF NORTHERN LIGHTS. ANY REPRODUCTION IN PART OR AS A WHOLE WITHOUT THE WRITTEN PERMISSION OF NORTHERN LIGHTS IS PROHIBITED.

UNLESS OTHERWISE SPECIFIED:		NAME	DATE
DIMENSIONS ARE IN MILLIMETERS		MG	09/14/20
TOLERANCES:		TH	09/16/16
ANGULAR: MACH 1/8" BEND \pm 1.0°		ENG APPR:	
NO DECIMALS = \pm 3		MEG APPR:	
ONE DECIMAL = \pm 0.5		G.A.	
INTERPRET GEOMETRIC TOLERANCING PER ASME Y14.5M		COMMENTS:	
MATERIAL:			
FINISH:			
DO NOT SCALE			

NORTHERN LIGHTS		4420 14th AVE. N.W. Seattle, WA 98107 (206) 789-3880 www.northern-lights.com	
TITLE: INSTALLATION DIMENSIONS M200C13 KEEL COOLED			
SIZE	PART NO.	DWG. NO.	REV
D		D-5271	-
SCALE: 1:10	WEIGHT:	SHEET 1 OF 1	

D-5271