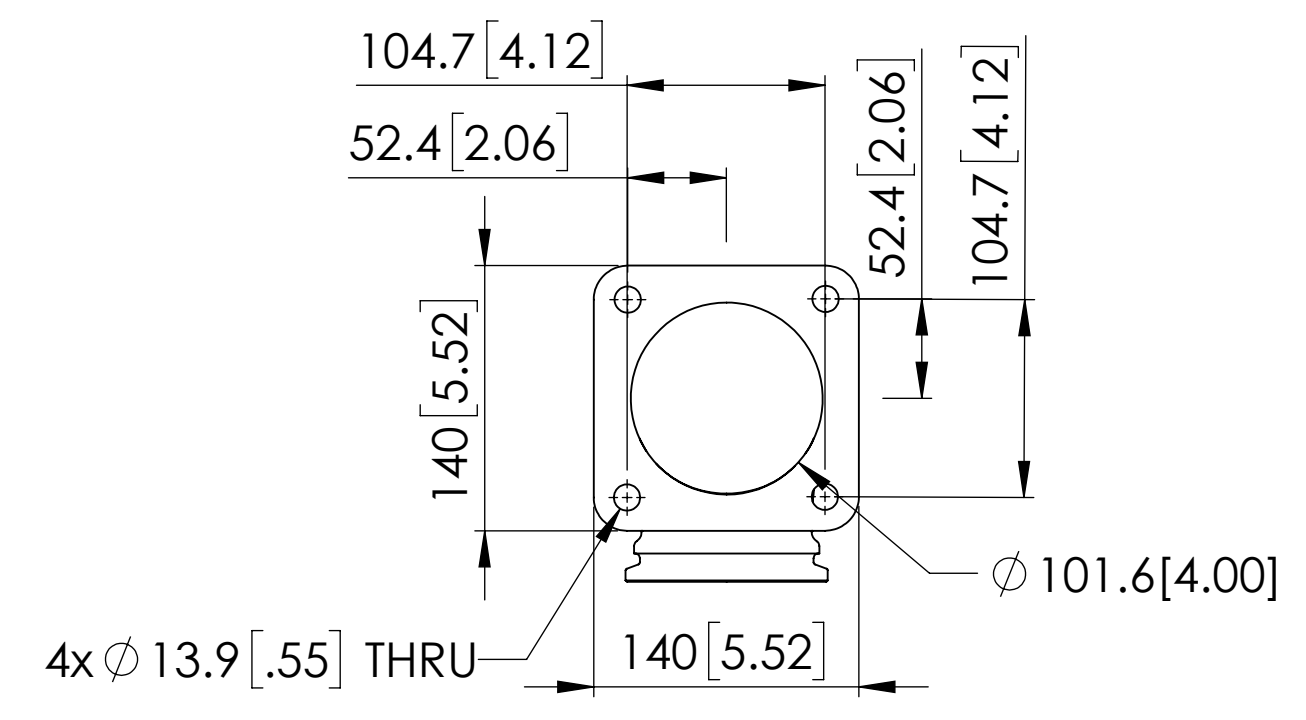
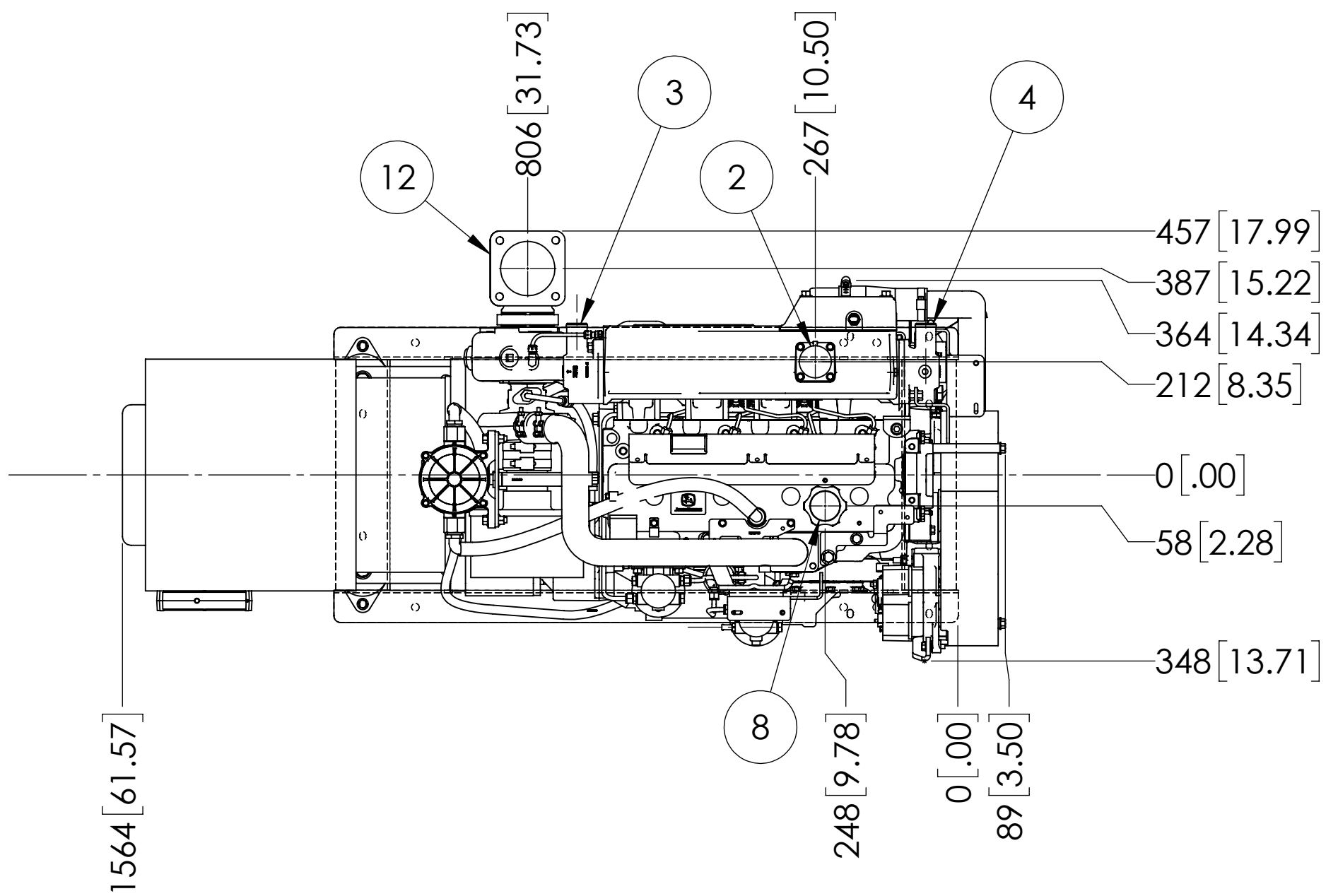


MODELS	APPROX. WT. lbs [kg]
M65C13.2S 65kW 1800 RPM 60Hz 3 ϕ	*2095 [950]

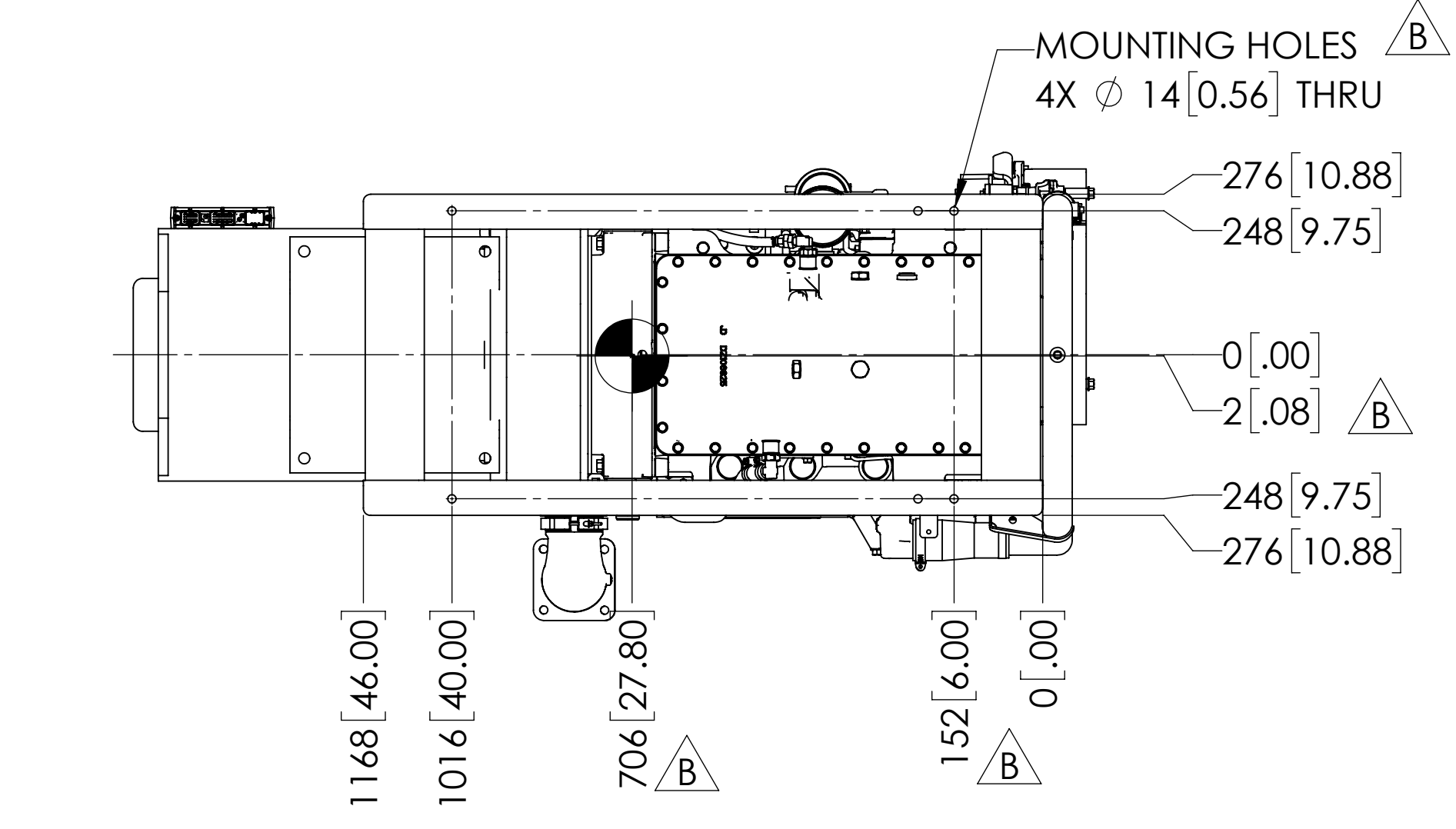
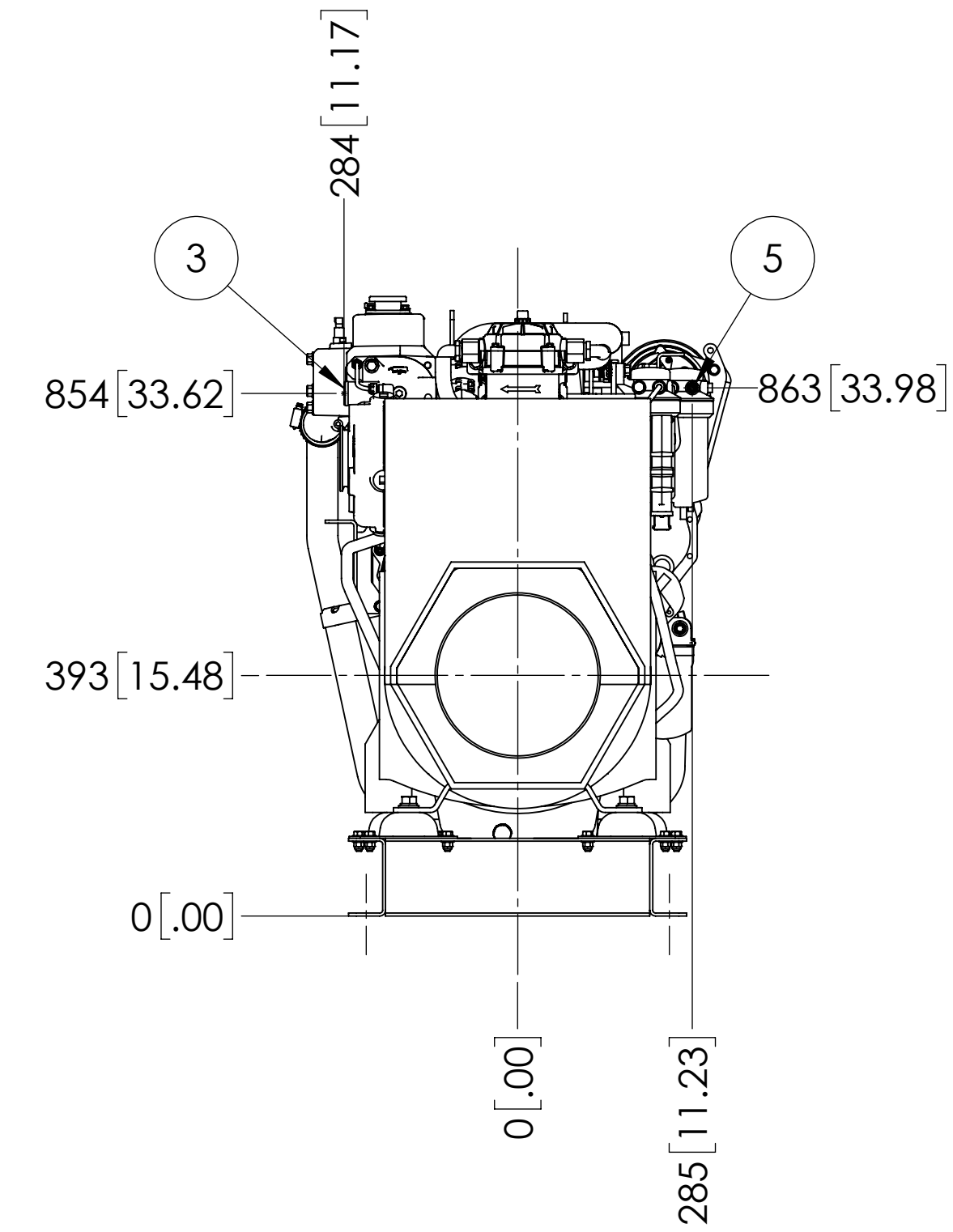
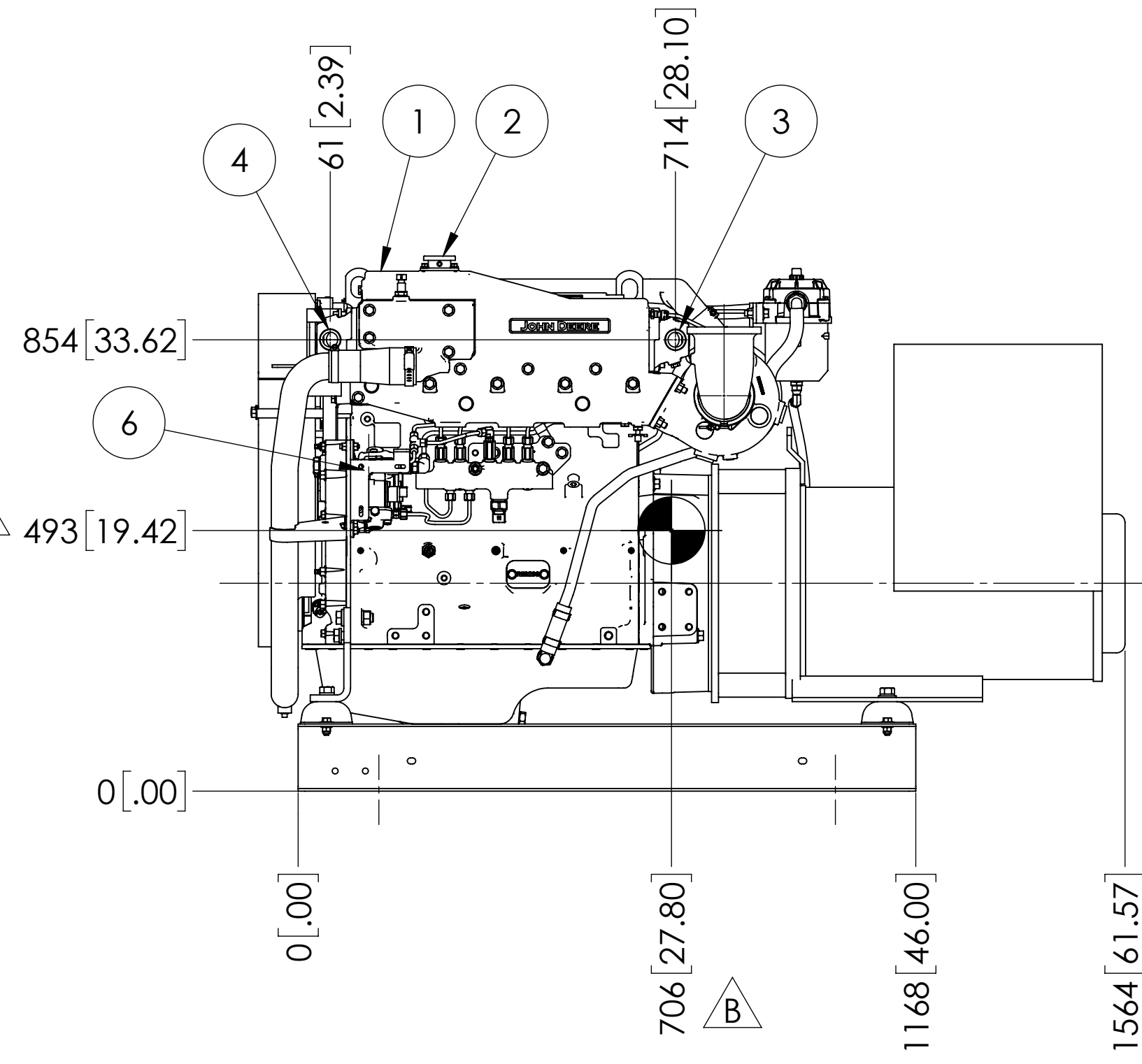
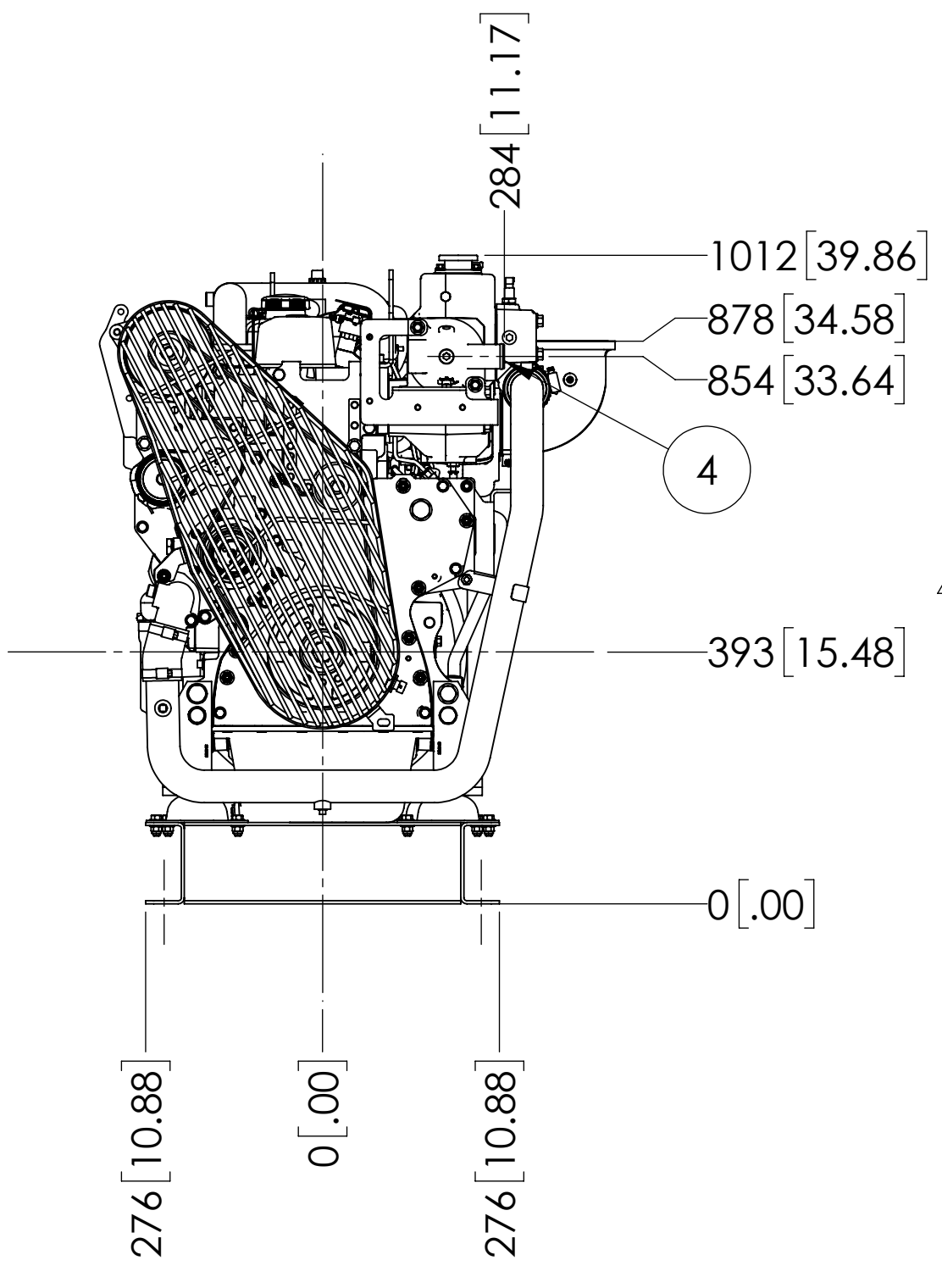
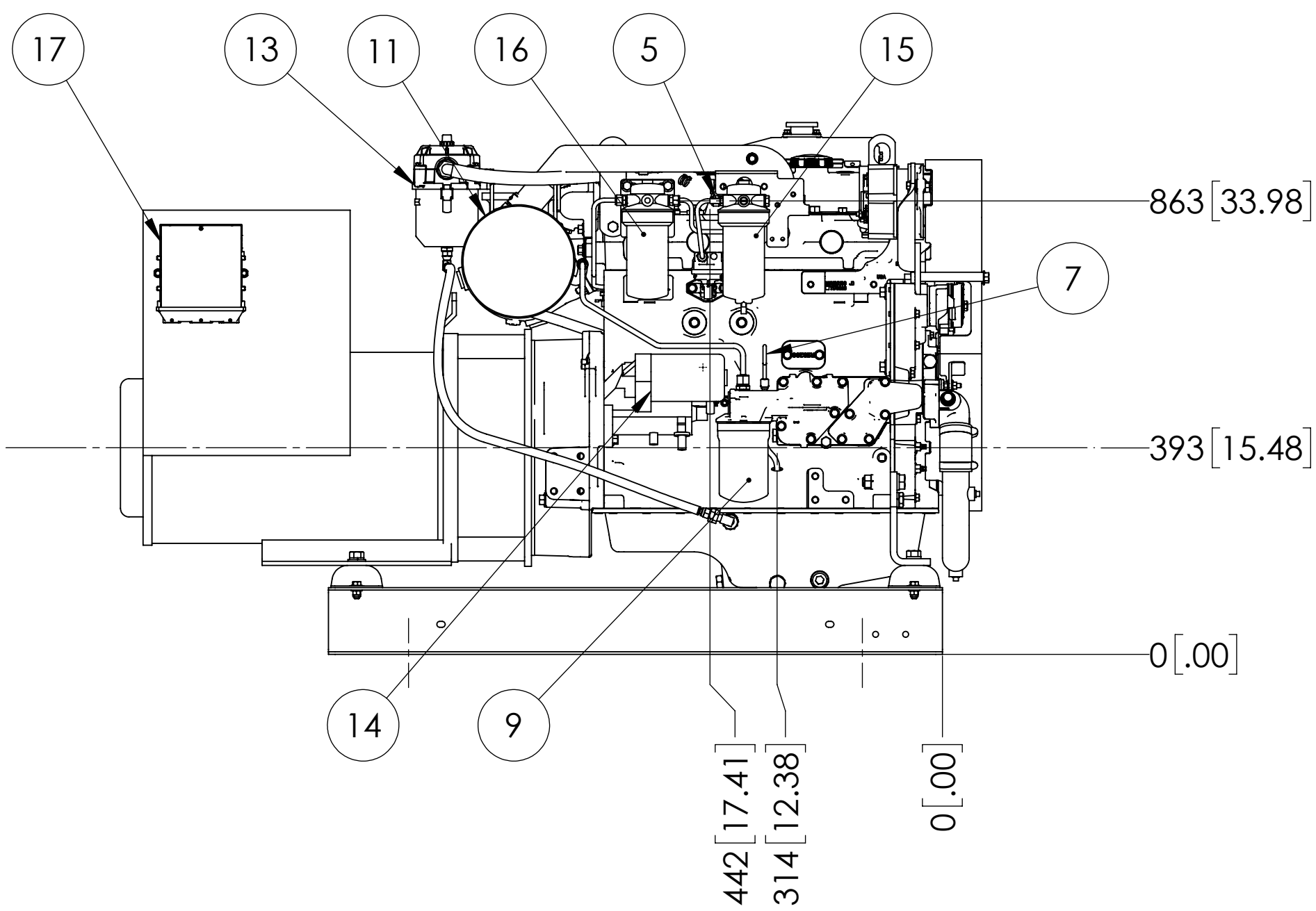
*WEIGHT INCLUDES OIL & COOLANT.

A B

ITEM	DESCRIPTION
1	EXPANSION TANK
2	COOLANT FILL
3	COOLANT INLET ϕ 1.5 H.B.
4	COOLANT OUTLET ϕ 1.5 H.B.
5	FUEL SUPPLY ϕ 3/8 H.B.
6	FUEL RETURN ϕ 1/4 H.B.
7	CRANKCASE OIL DIPSTICK
8	CRANKCASE OIL FILLER
9	CRANKCASE OIL FILTER
10	ENGINE OIL DRAIN - M18x1.5
11	AIR INLET FILTER
12	DRY EXHAUST ELBOW - SEE DETAIL
13	CLOSED CRANKCASE VENTILATION SYSTEM
14	ELECTRIC STARTER
15	PRIMARY FUEL FILTER
16	FINAL FUEL FILTER
17	ENGINE CONTROL UNIT



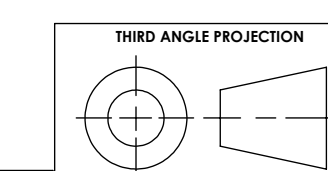
DRY EXHAUST ELBOW FLANGE DETAIL



MOUNTING HOLES
4X ϕ 14 [0.56] THRU

THE DIMENSIONS ON THIS DRAWING ARE SUBJECT TO CHANGE. PLEASE CONTACT NLI TO BE SURE YOU HAVE THE MOST CURRENT REVISION.

REV.	DESCRIPTION	DATE	BY	CHECKED
B	WEIGHT NOW INCLUDES COOLANT. UPDATED C.G., ADDED C.G. TO BOTTOM VIEW. ECN 7134	12/3/2020	MG	TAH
A	CORRECTED WEIGHT: 2055 LBS WAS 2072 LBS. ECN 2890	10/20/2014	MG	LTP
REV.	DESCRIPTION	DATE	BY	CHECKED



UNLESS OTHERWISE SPECIFIED:		NAME	DATE	NORTHERN LIGHTS	4420 14th AVE. N.W. Seattle, WA 98107 (206) 789-3880 www.northern-lights.com
DIMENSIONS ARE IN MILLIMETERS		MG	08/06/13		
TOLERANCES:		CHECKED	TAH	TITLE: INSTALLATION DIMENSIONS	
ANGULAR: MACH: 0.5° BEND \pm 1.0°		ENG APPR.		M65C13	
X. \pm 3		MFG APPR.		SIZE: D	PART NO.
X.X \pm 2		G.A.		DWG. NO. D-4698	REV B
INTERPRET GEOMETRIC TOLERANCING PER ASME Y14.5M		COMMENTS:		SCALE: 1:10	WEIGHT:
MATERIAL:				SHEET 1 OF 1	
FINISH:					
DO NOT SCALE					