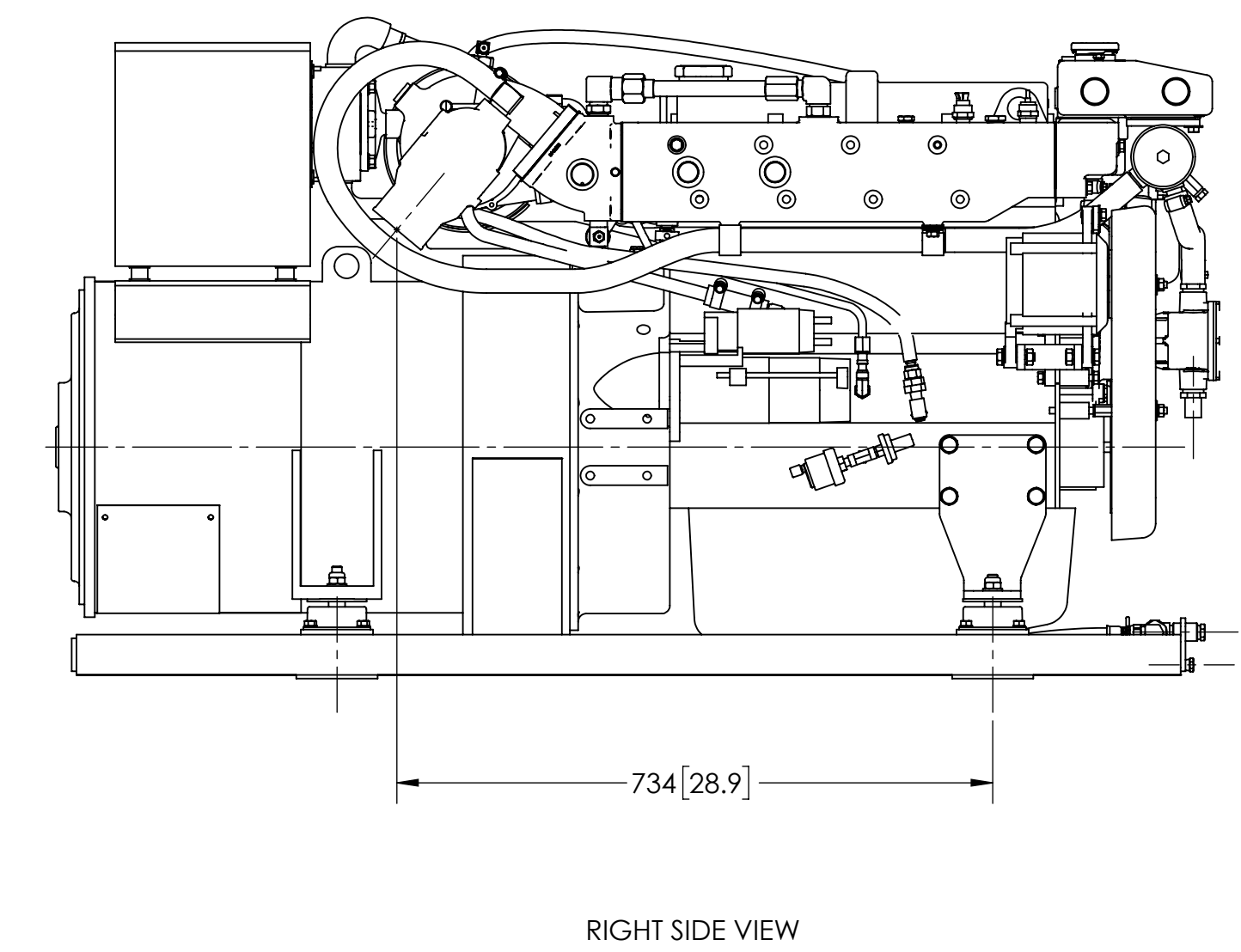
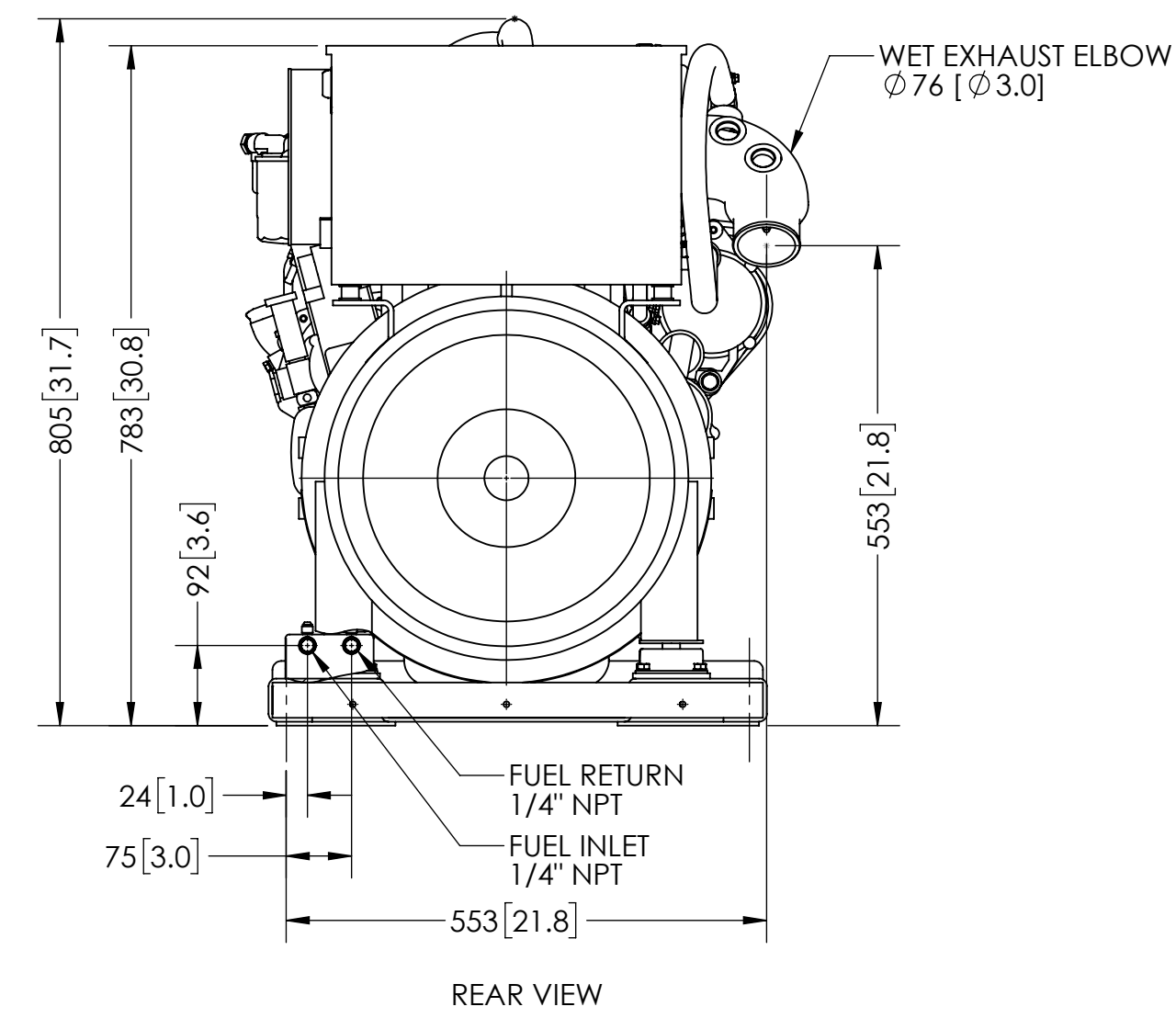
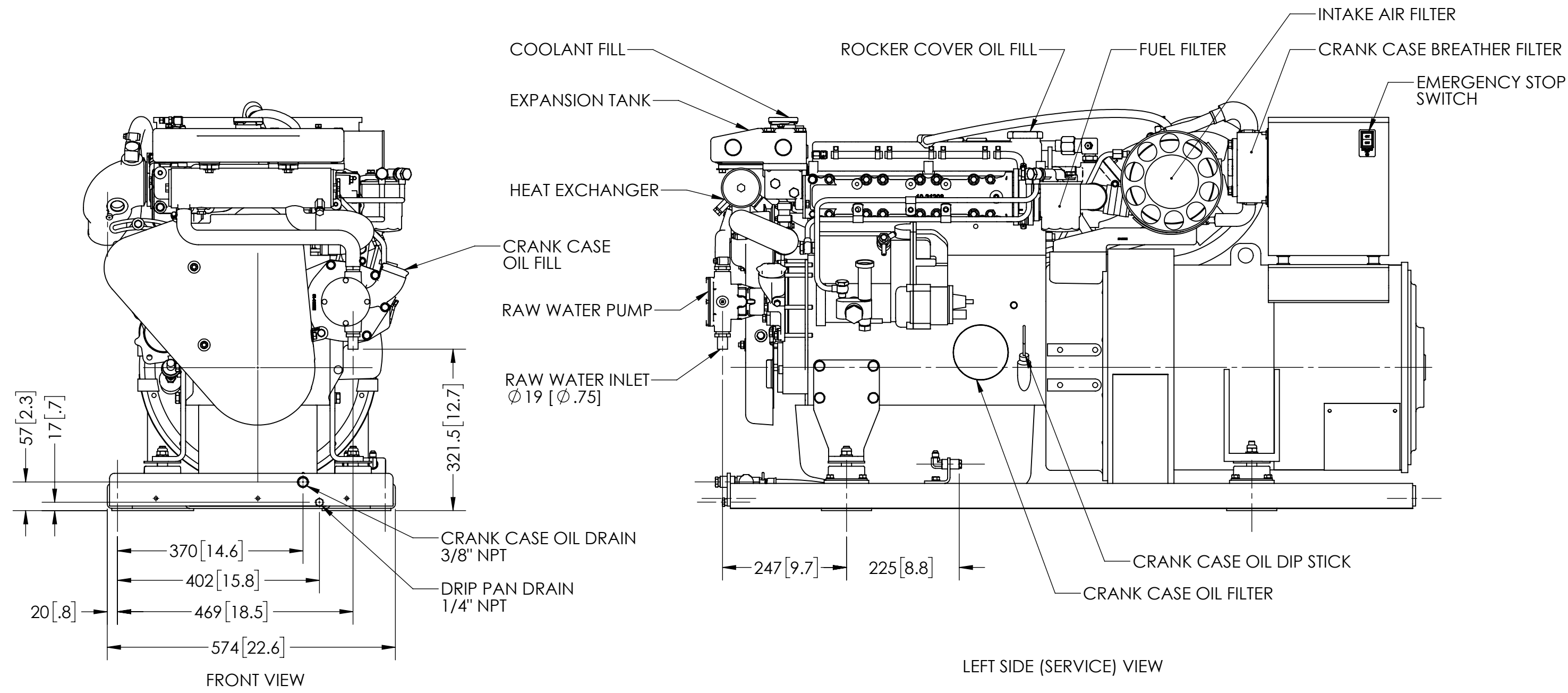
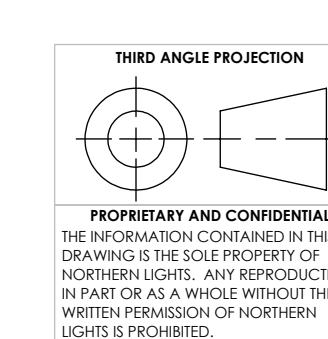


ISOMETRIC VIEWS



APPLIES TO MODELS:
M944TG.5
M944TG.7



UNLESS OTHERWISE SPECIFIED:	NAME	DATE
DIMENSIONS ARE IN MILLIMETERS	LTP	10/8/2020
TOLERANCES:	CHECKED	
ANGULAR: MACH ± 0.5° BEND ± 1.0°	ENG APPR.	
.X ± 0.3	MEG APPR.	
.XX ± 0.3	Q.A.	
INTERPRET GEOMETRIC TOLERANCING PER ASME Y14.5M	COMMENTS:	
MATERIAL:		
FINISH:		
DO NOT SCALE		

NORTHERN LIGHTS
4420 14th AVE. N.W.
Seattle, WA 98107
(206) 789-3880
www.northern-lights.com

TITLE: INSTALLATION DIMENSIONS
M944TG HEAT EXCHANGED

SIZE	PART NO.	DWG. NO.	REV
D	SEE TABLE	D-5280	
SCALE: 1:8	WEIGHT: 629.5 kg [1388 lbs.]	SHEET 1 OF 1	