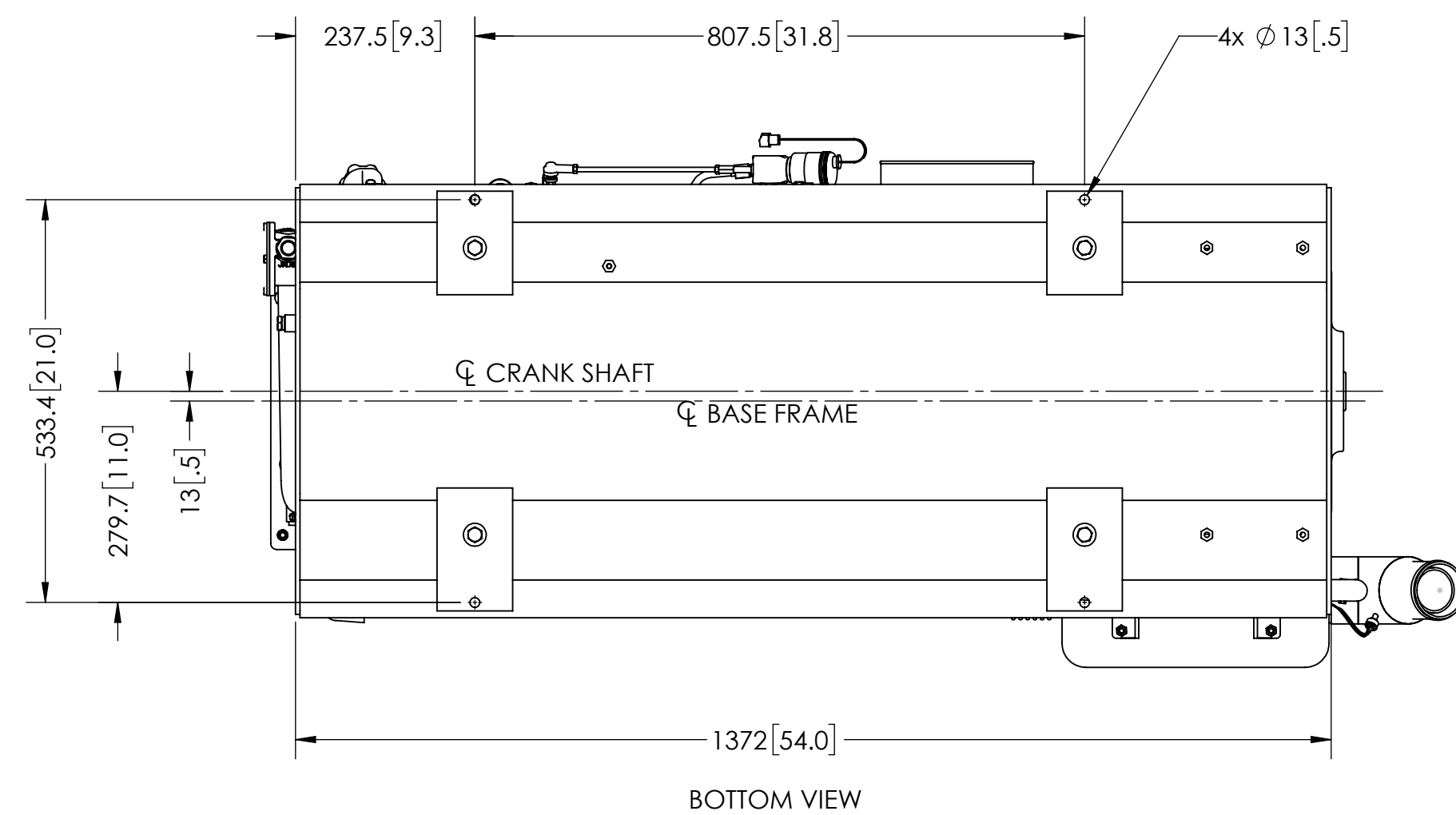
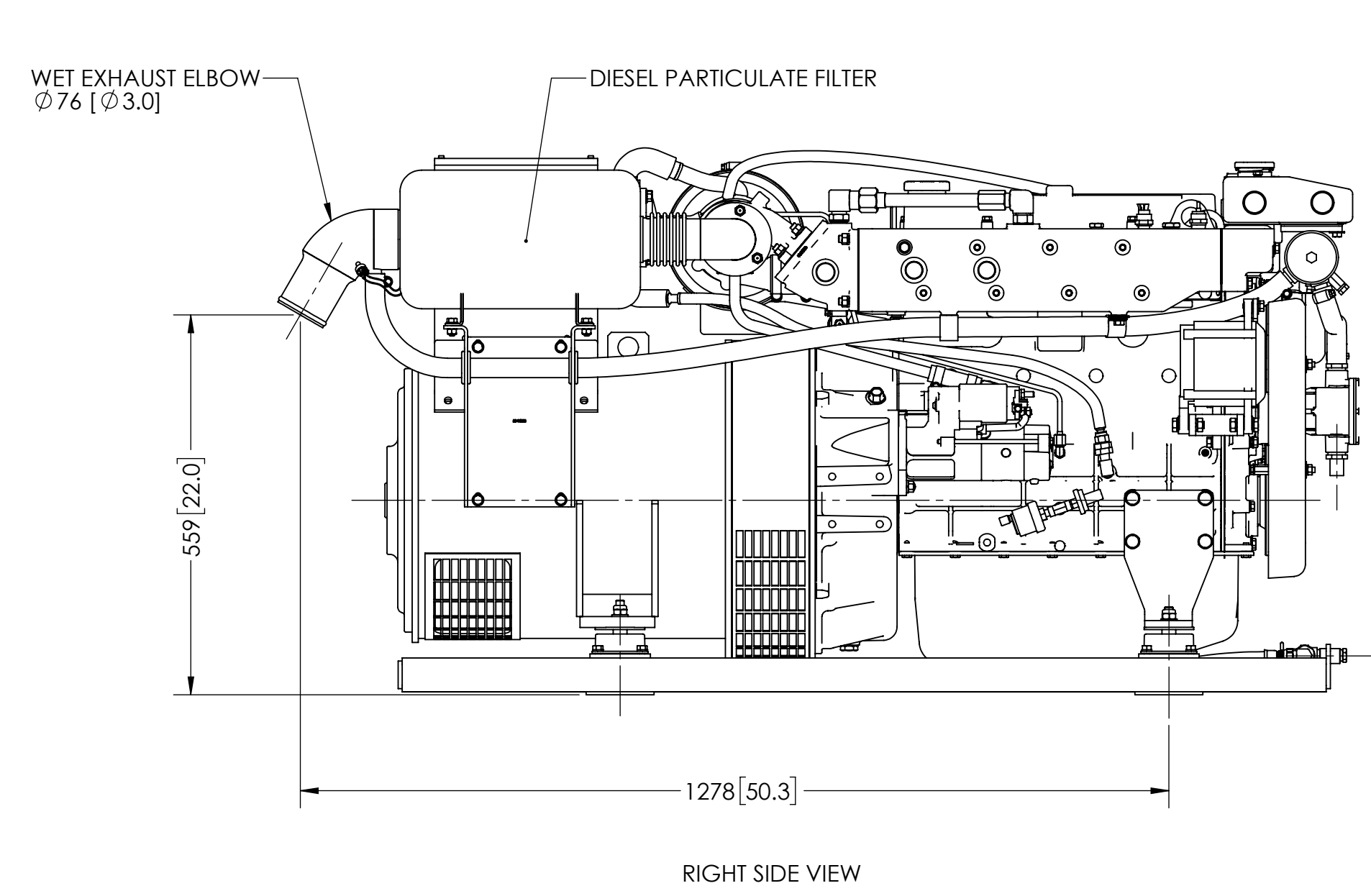
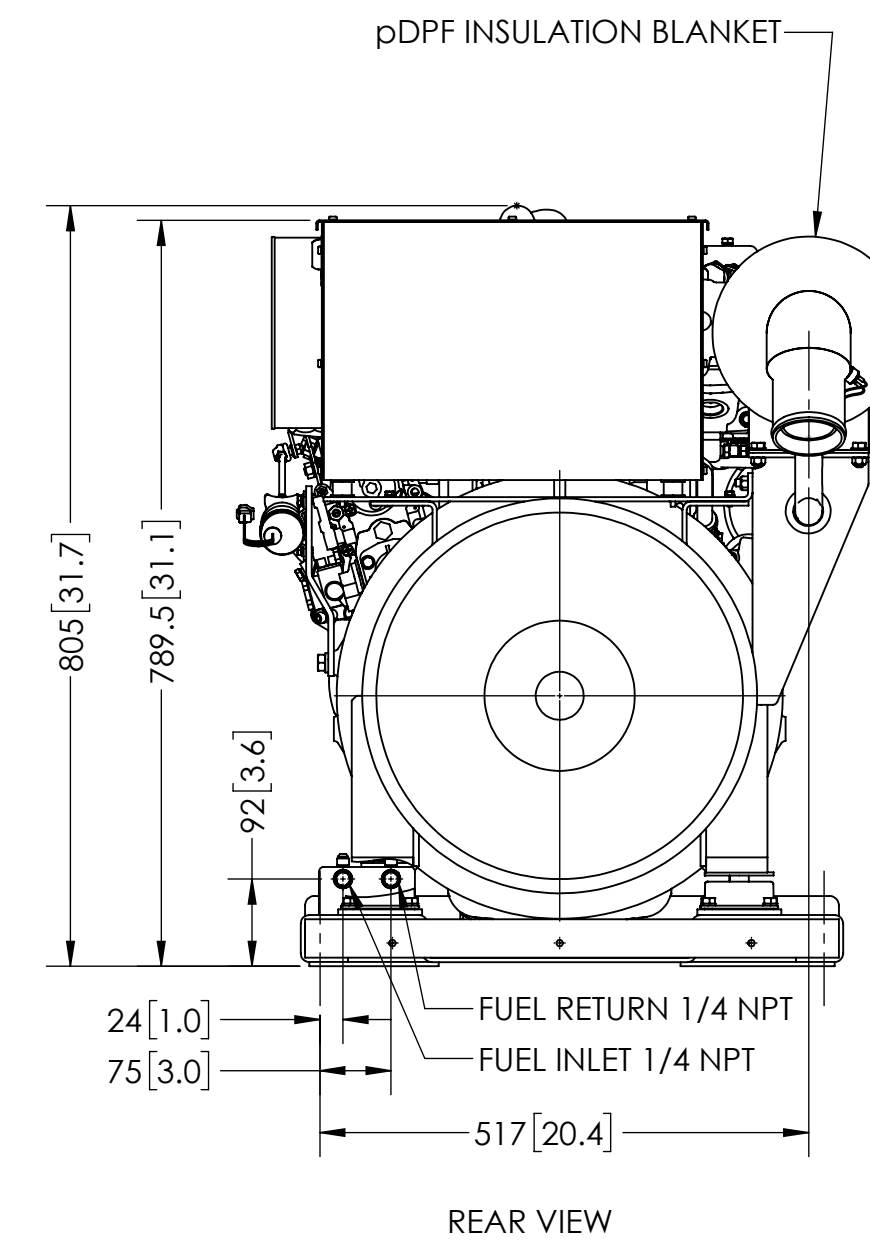
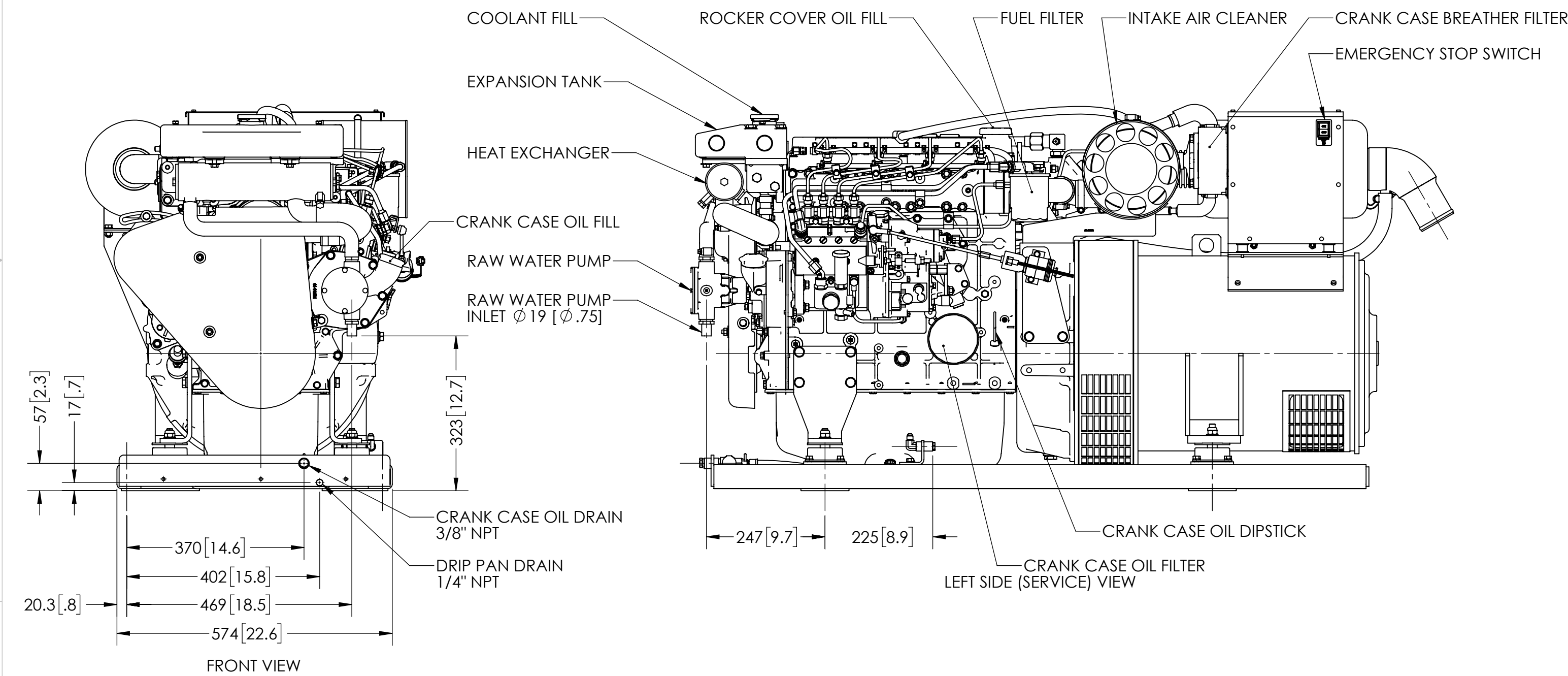
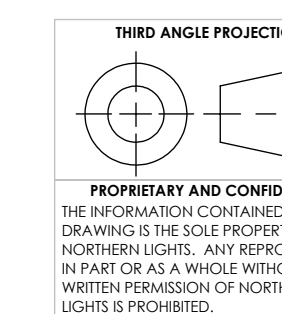


ISOMETRIC VIEWS



APPLIES TO MODELS:
M944T3FG.1
M944T3FG.3



UNLESS OTHERWISE SPECIFIED: DIMENSIONS ARE IN MILLIMETERS TOLERANCES: ANGULAR: MACH $\pm 0.5^\circ$ BEND $\pm 1.0^\circ$ X . ± 0.5 X.X ± 0.3 INTERPRET GEOMETRIC TOLERANCING PER ASME Y14.5M	NAME LTP	DATE 10/9/2020
FINISH	CHECKED	ENG APPR.
DO NOT SCALE	MFG APPR.	Q.A.
	COMMENTS:	

NORTHERN LIGHTS
4420 14th AVE. N.W.
Seattle, WA 98107
(206) 789-3880
www.northern-lights.com

TITLE: INSTALLATION DIMENSIONS M944T3FG HEAT EXCHANGED			
SIZE D	PART NO. SEE TABLE	DWG. NO. D-5281	REV
SCALE: 1:8	WEIGHT: 654.5 KG [1443 lbs]	SHEET 1 OF 1	

REV
D
D-5281