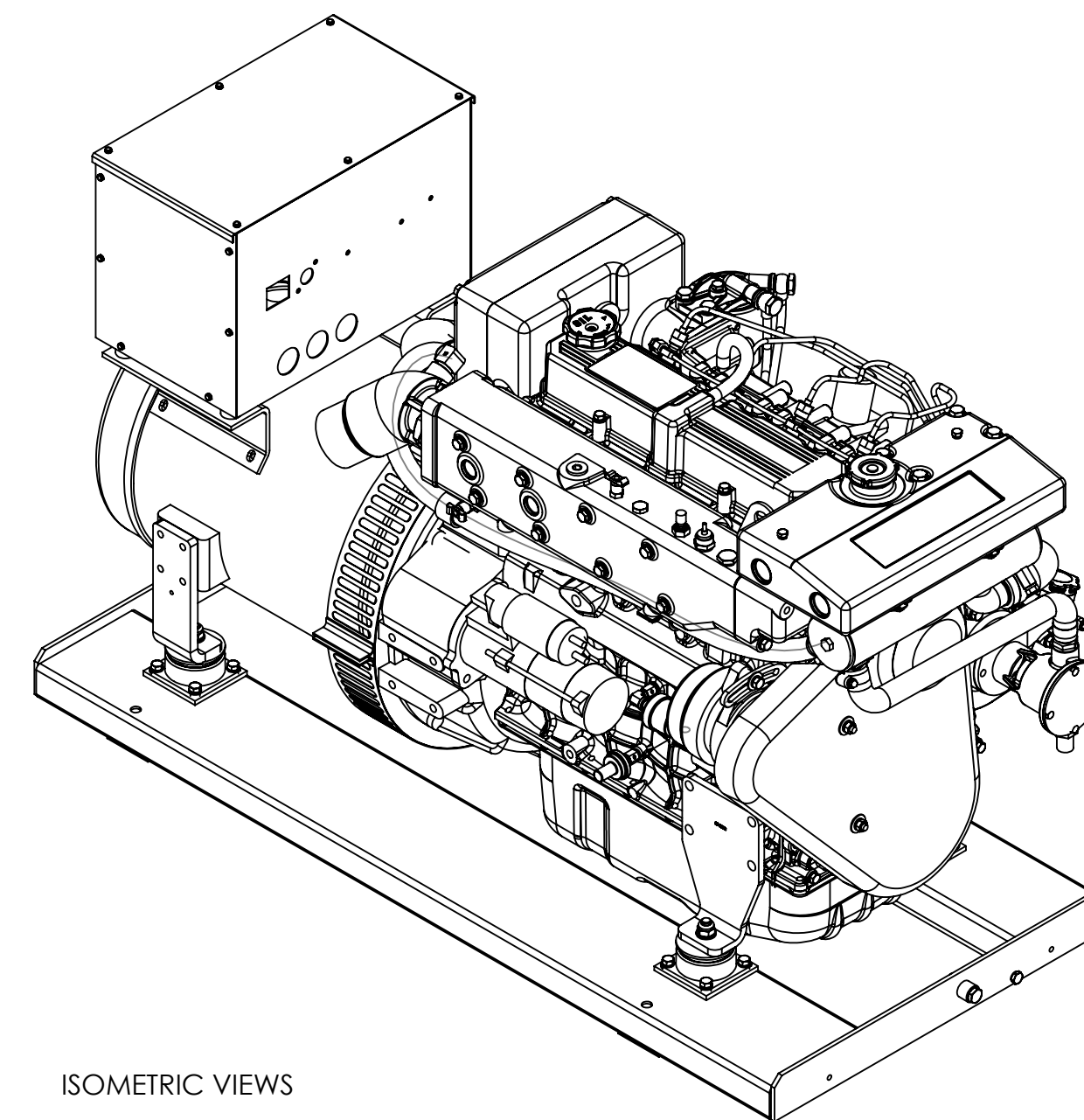
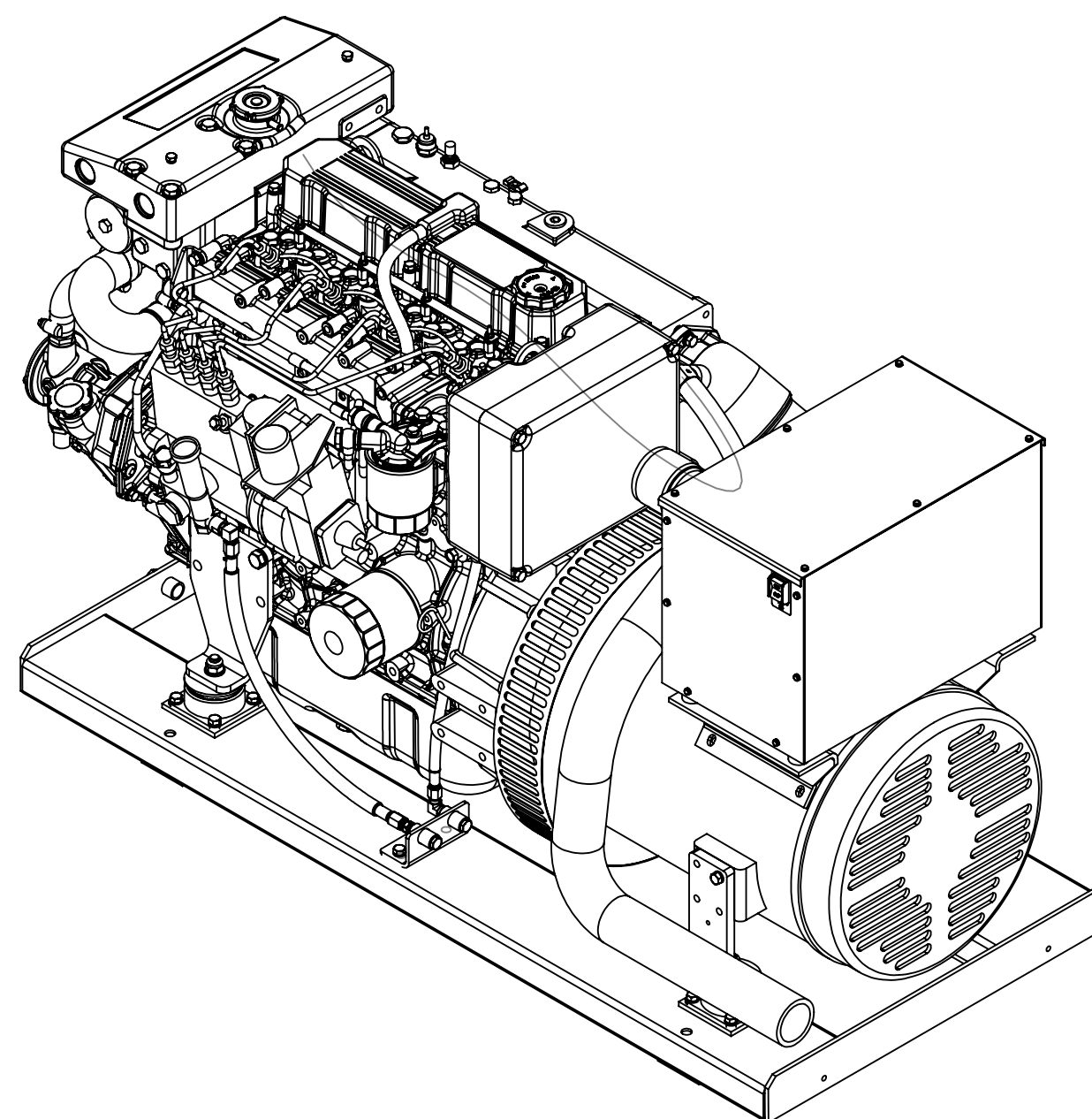
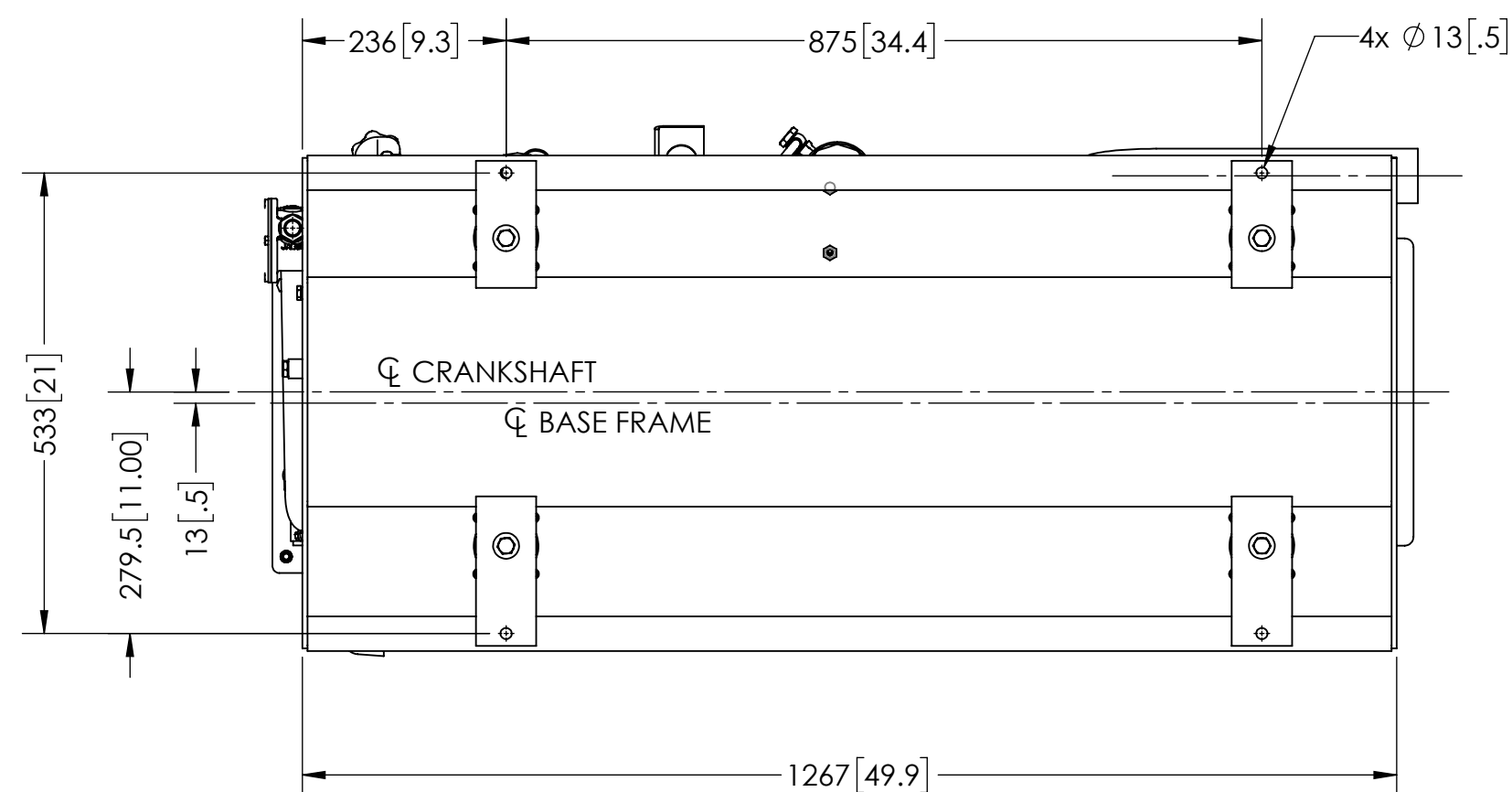
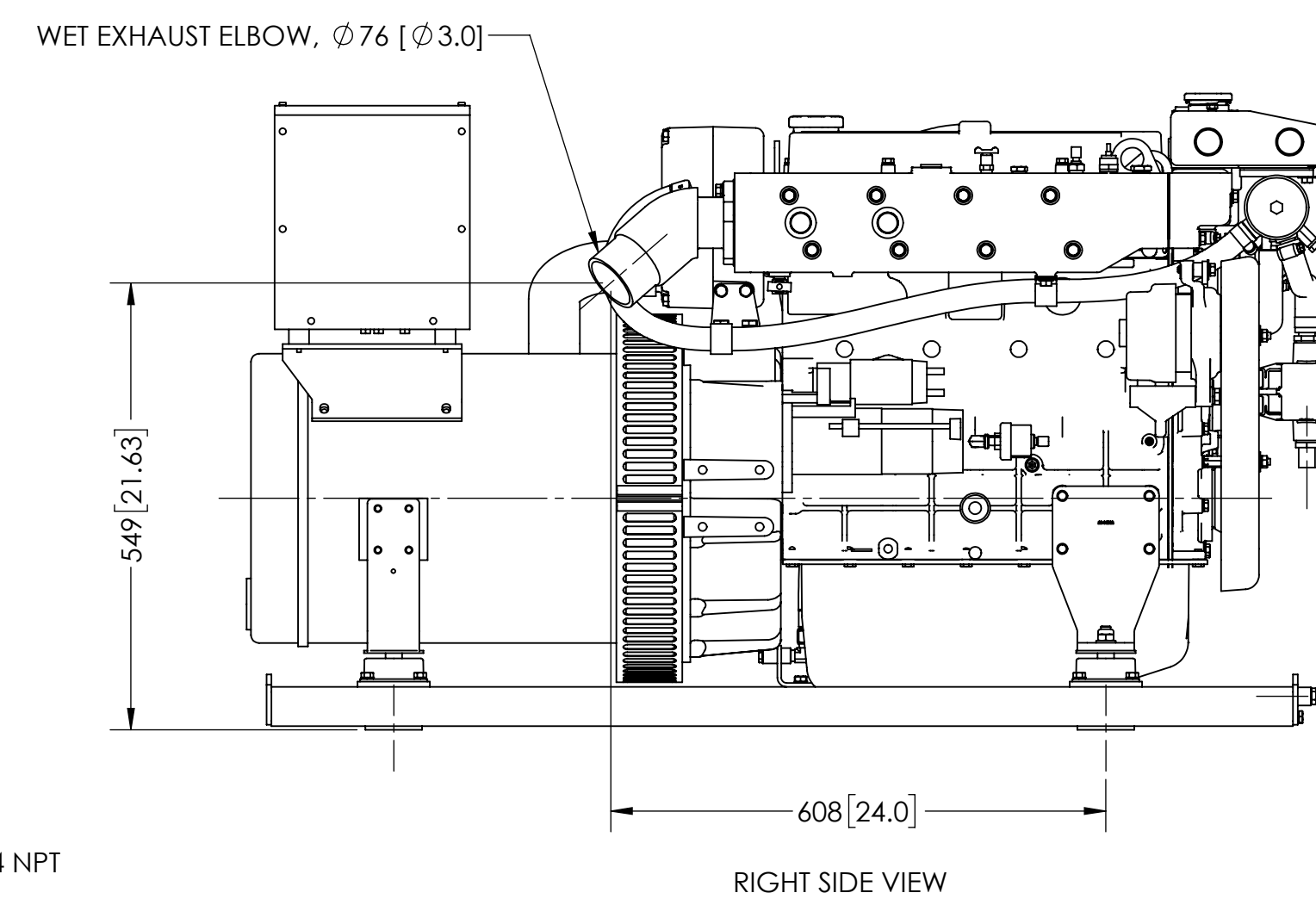
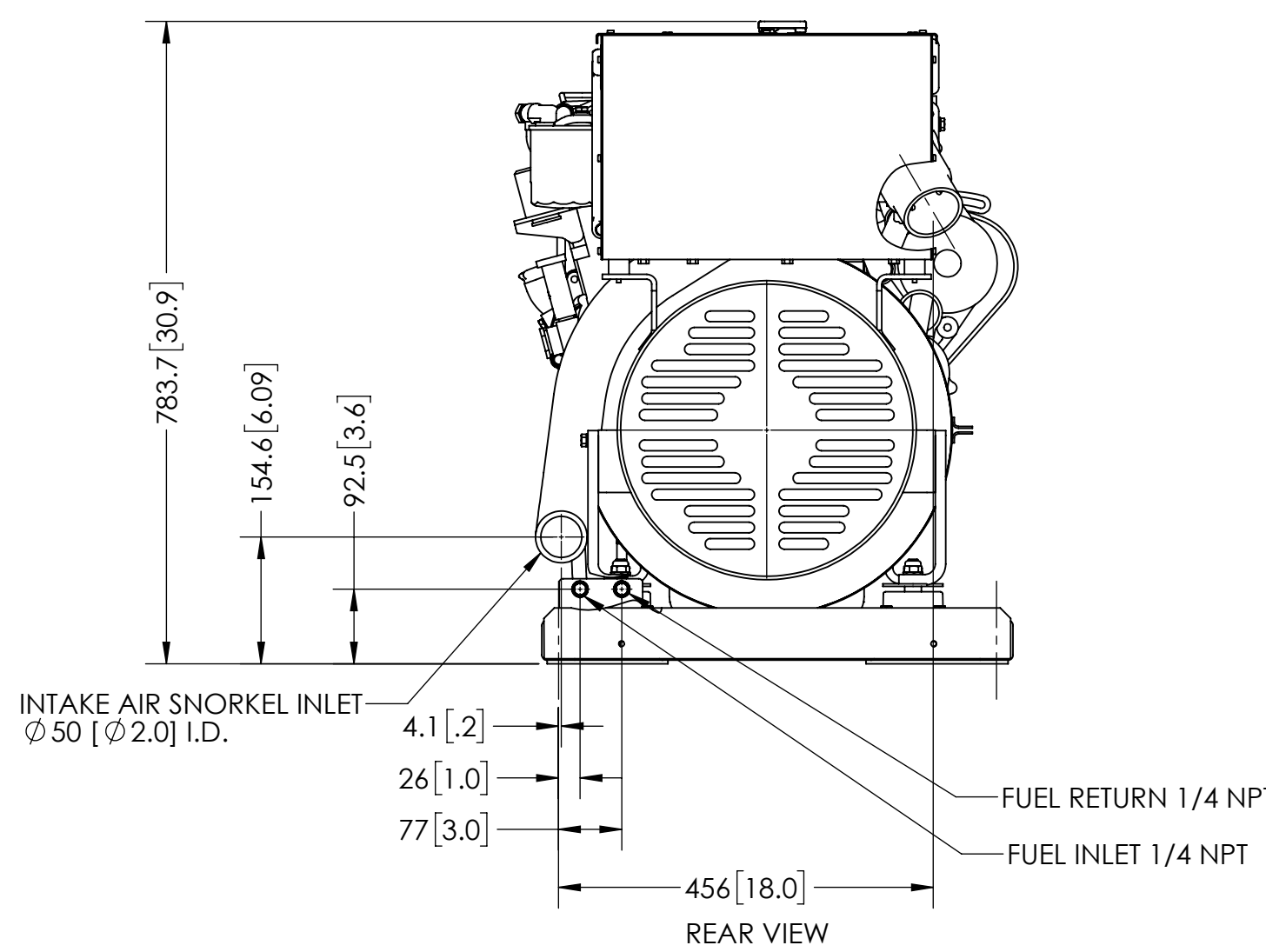
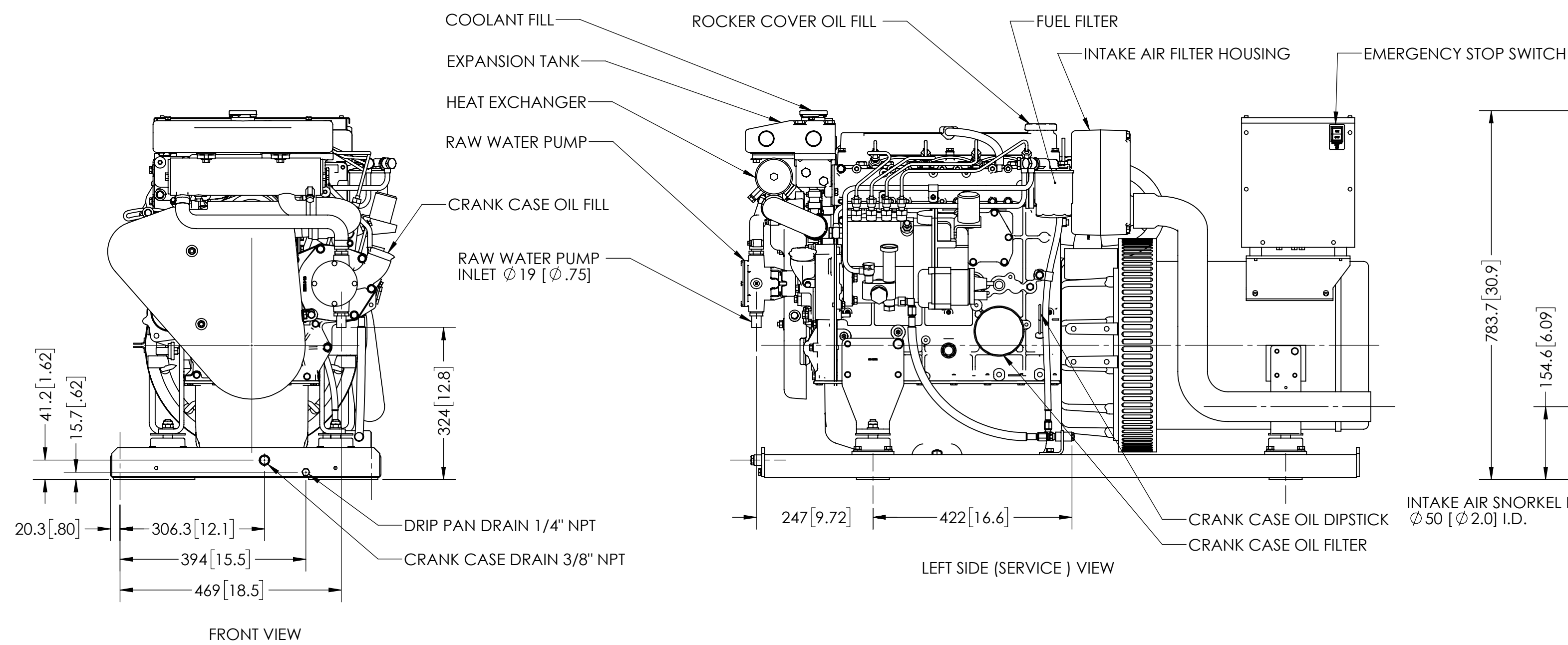


TOP VIEW

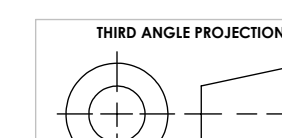


ISOMETRIC VIEWS



BOTTOM VIEW

APPLIES TO MODELS	
M944W3G.1	
M944W3G.3	
M944W3G.5	
M944W3G.7	



THIRD ANGLE PROJECTION  
 PROPRIETARY AND CONFIDENTIAL  
 THE INFORMATION CONTAINED IN THIS DRAWING IS THE SOLE PROPERTY OF NORTHERN LIGHTS. ANY REPRODUCTION IN PART OR AS A WHOLE WITHOUT THE WRITTEN PERMISSION OF NORTHERN LIGHTS IS PROHIBITED.

UNLESS OTHERWISE SPECIFIED:		NAME	DATE
DIMENSIONS ARE IN MILLIMETERS		DRAWN	LTP 11/10/2020
TOLERANCES:		CHECKED	
ANGULAR:	MACH 2	ENG APPR.	
X .1	BEND 2	MEG APPR.	
.XX 2		Q.A.	
INTERPRET GEOMETRIC TOLERANCING PER ASME Y14.5M		COMMENTS:	
MATERIAL:			
FINISH:			
DO NOT SCALE			



TITLE: INSTALLATION DIMENSIONS M944W3G HEAT EXCHANGED			
SIZE	PART NO.	DWG. NO.	REV
D	SEE TABLE	D-5282	
SCALE: 1:8	WEIGHT:		SHEET 1 OF 1