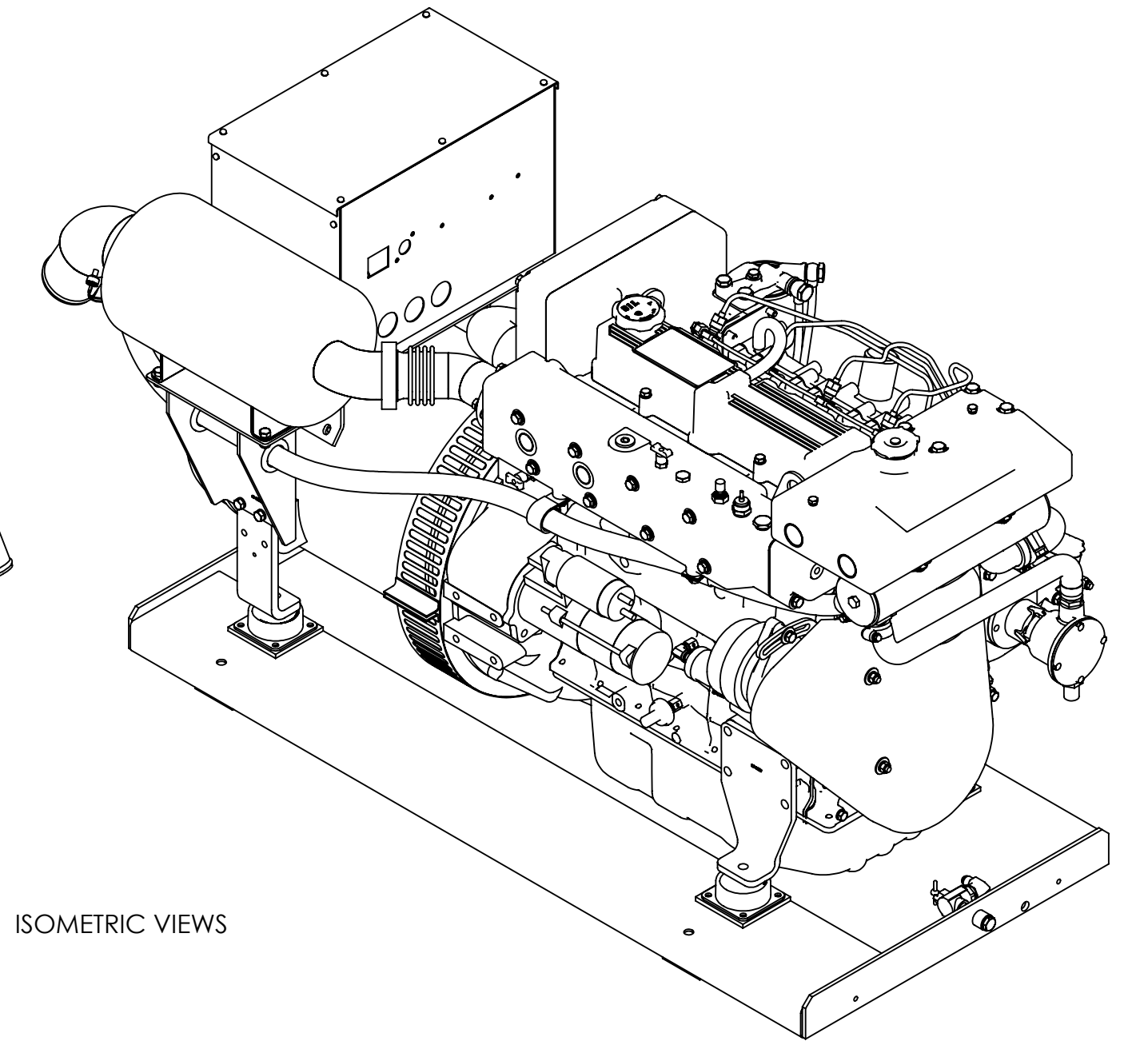
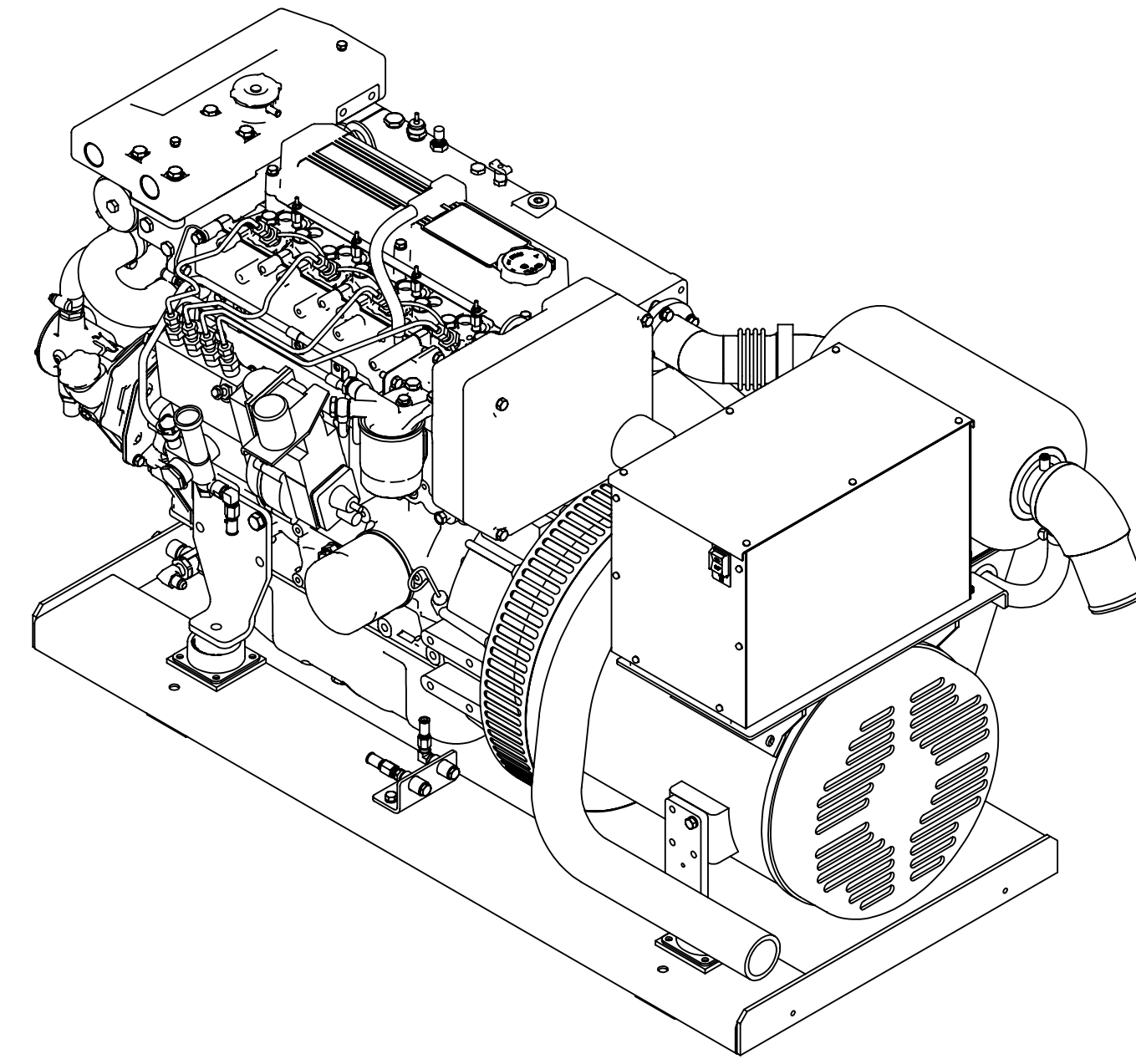
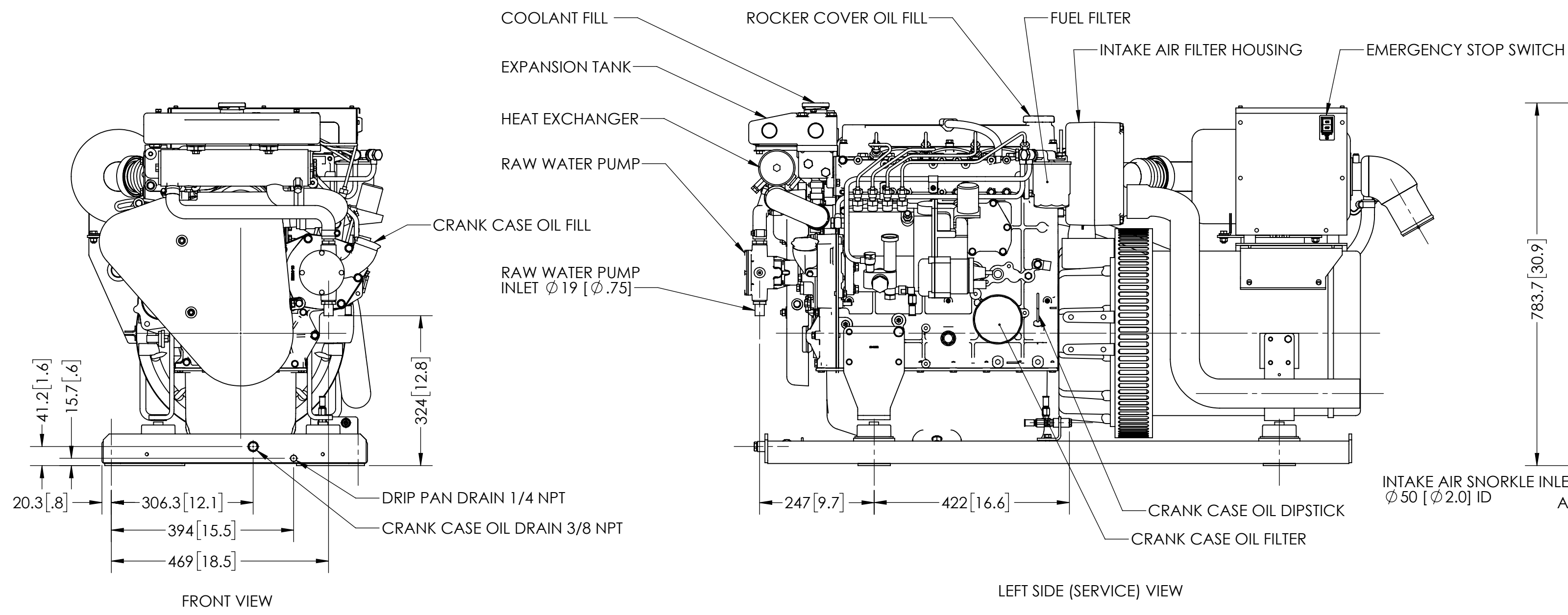


TOP VIEW

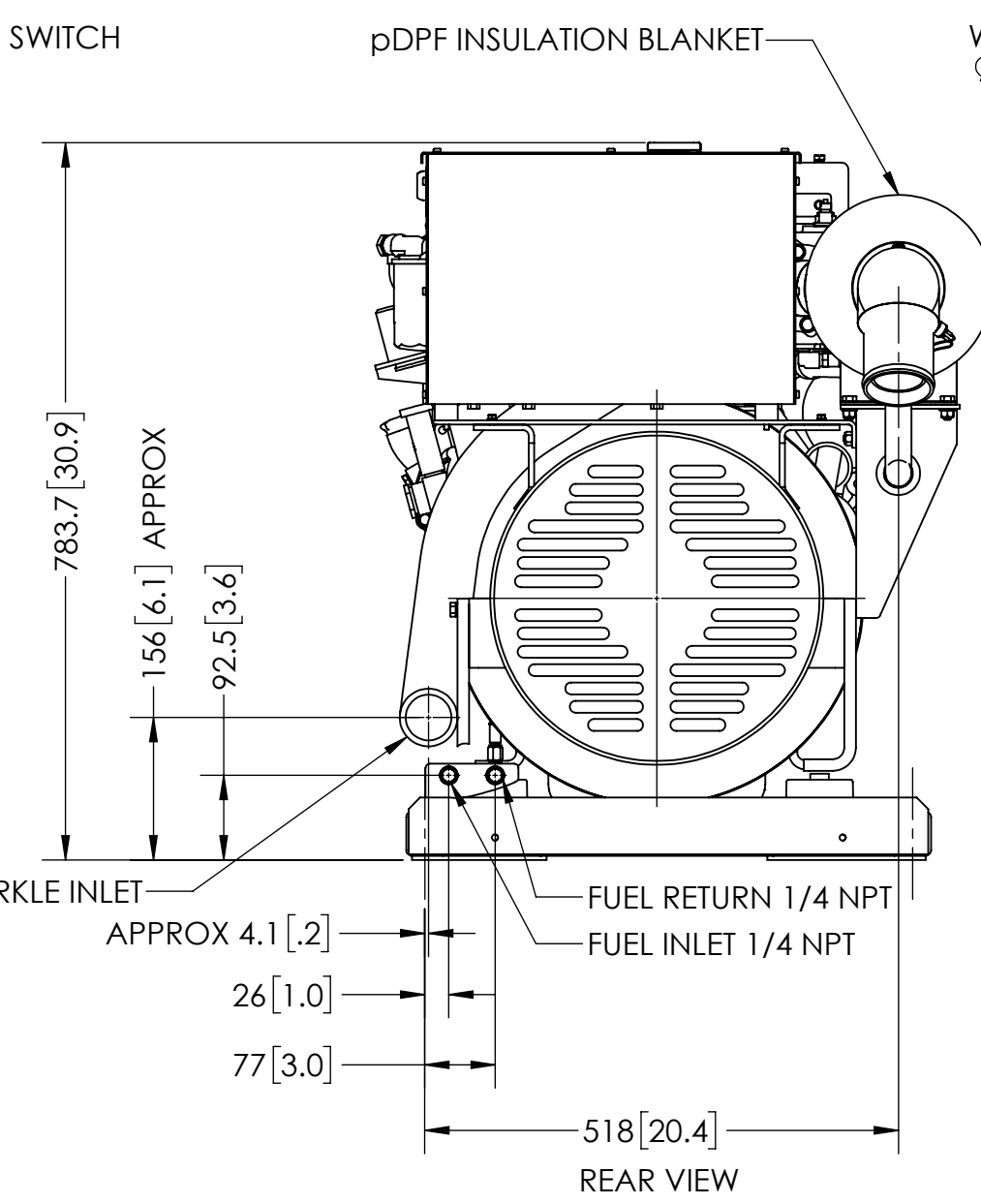


ISOMETRIC VIEWS

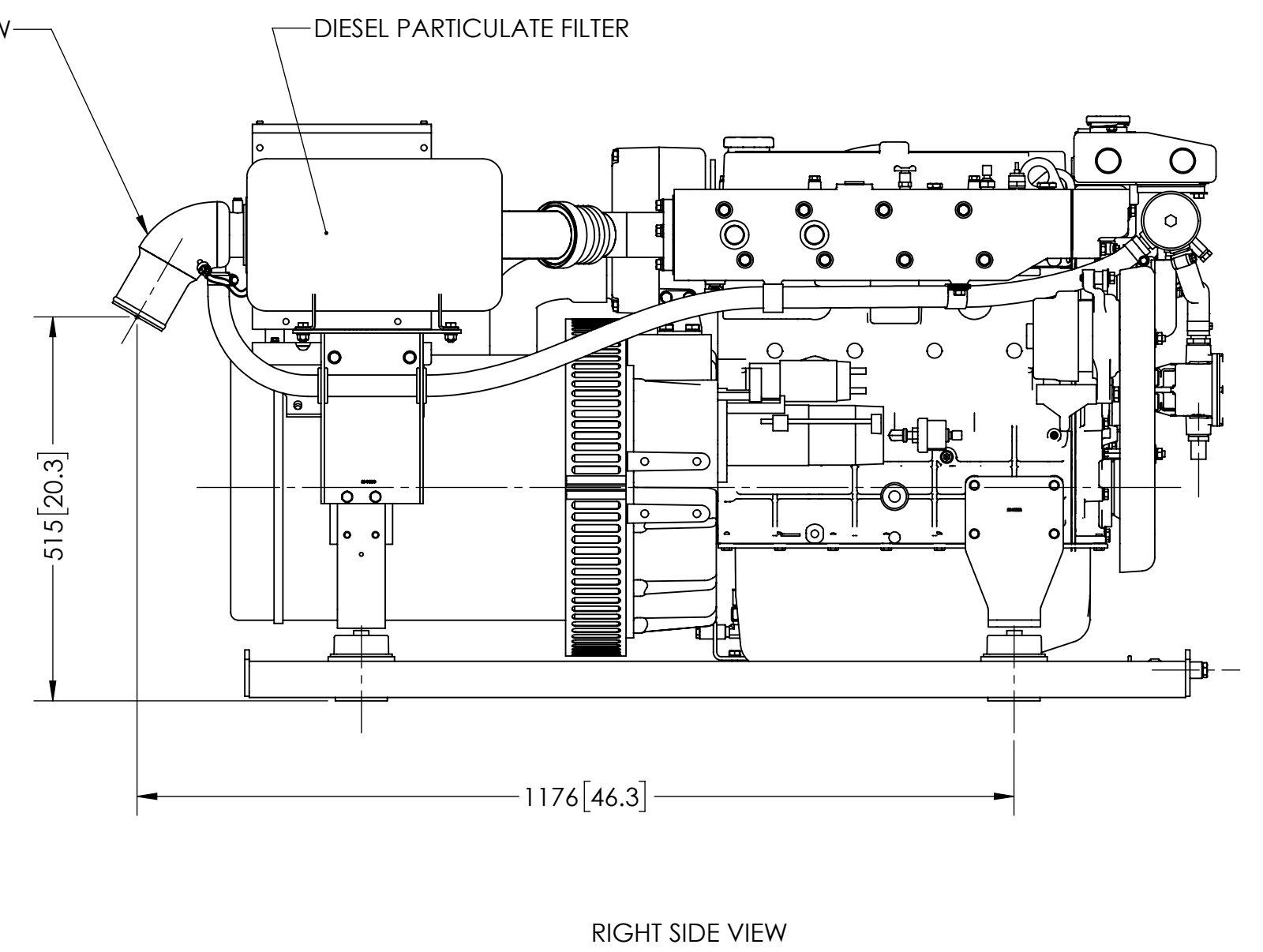


FRONT VIEW

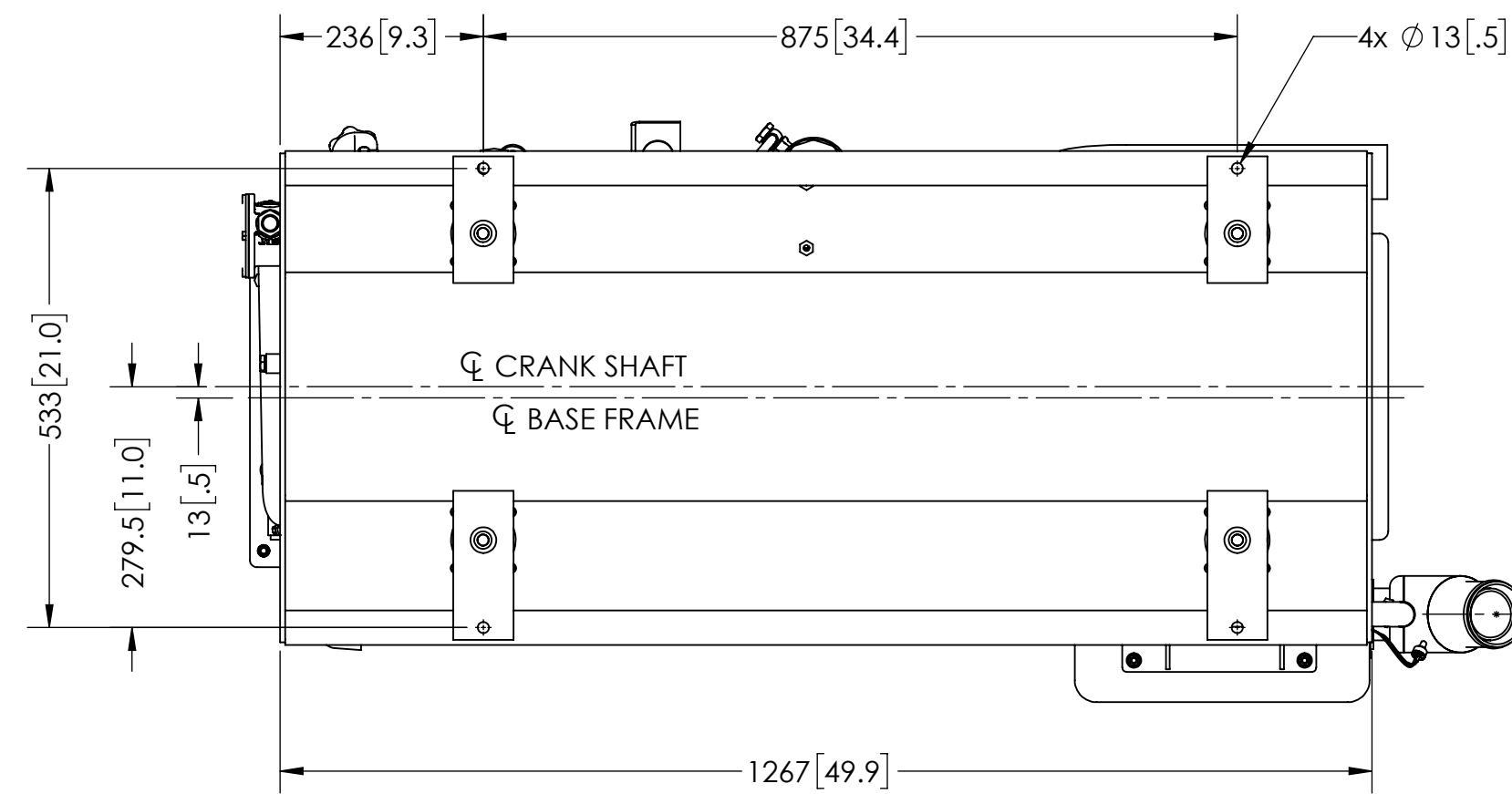
LEFT SIDE (SERVICE) VIEW



REAR VIEW

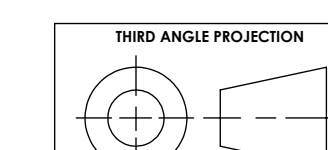


RIGHT SIDE VIEW



BOTTOM VIEW

APPLIES TO MODELS  
M944W3FG.1  
M944W3FG.3



PROPRIETARY AND CONFIDENTIAL  
THE INFORMATION CONTAINED IN THIS DRAWING IS THE SOLE PROPERTY OF NORTHERN LIGHTS. ANY REPRODUCTION IN PART OR AS A WHOLE WITHOUT THE WRITTEN PERMISSION OF NORTHERN LIGHTS IS PROHIBITED.

REV.	DESCRIPTION	DATE	BY	CHECKED
A	REMOVED KEEL COOLED MODELS FROM APPLICATION TABLE, ECN#7237	3/2/2021	LTP	TAH

REVISIONS				
REV.	DESCRIPTION	DATE	BY	CHECKED

UNLESS OTHERWISE SPECIFIED: DIMENSIONS ARE IN MILLIMETERS TOLERANCES: ANGULAR: MACH $\pm 0.5^\circ$ BEND $\pm 1.0^\circ$ X $\pm 0.5$ XX $\pm 0.3$ INTERPRET GEOMETRIC TOLERANCING PER ASME Y14.5M	NAME DRAWN LTP CHECKED ENG APPR. MEG APPR. G.A. MATERIAL FINISH	DATE 10/9/2020		4420 14th AVE. N.W. Seattle, WA 98107 (206) 789-3880 www.northern-lights.com
TITLE: INSTALLATION DIMENSIONS M944W3FG HEAT EXCHANGED				
DO NOT SCALE	SIZE D	PART NO. SEE TABLE	DWG. NO. D-5283	REV A

SCALE: 1:8    WEIGHT: 603 kg [1329 lbs]    SHEET 1 OF 1