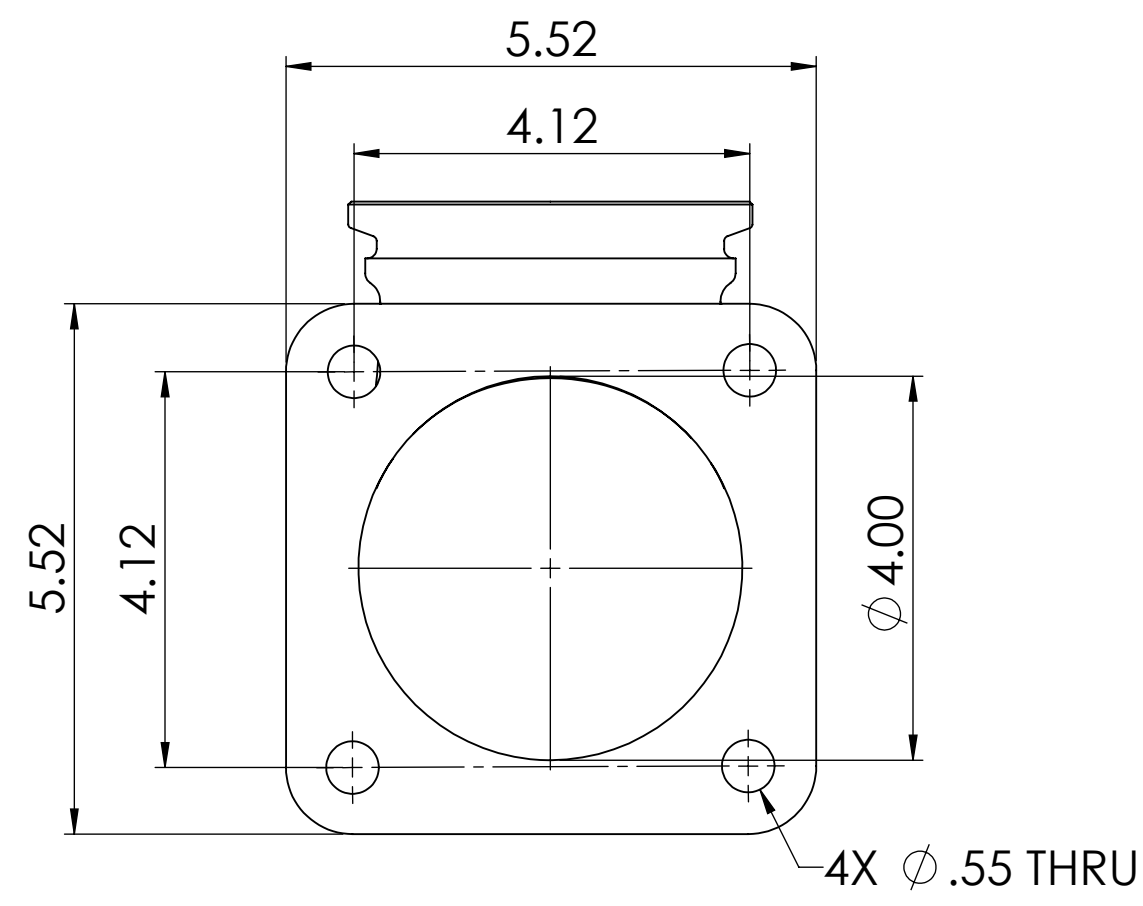
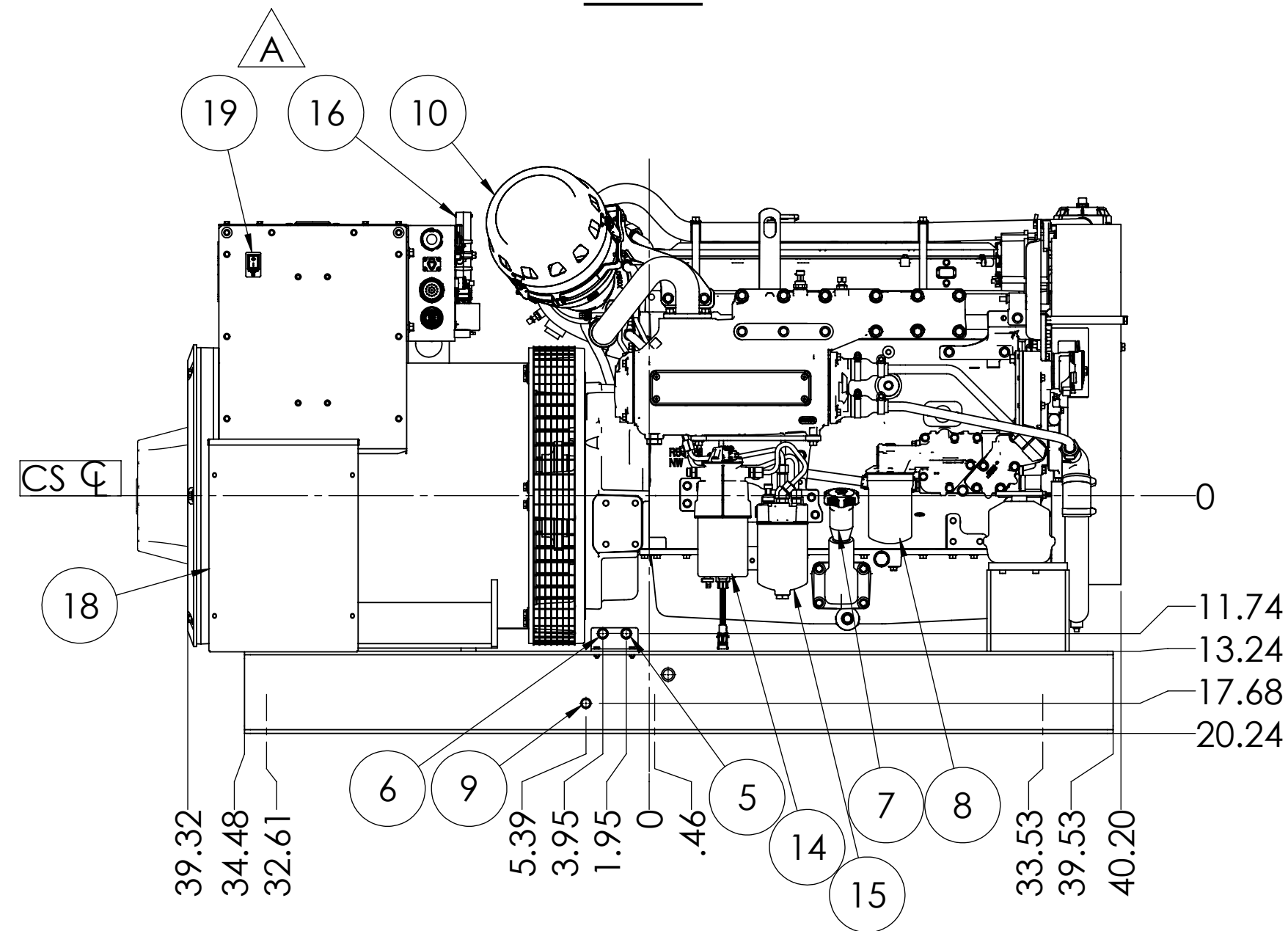


PLAN

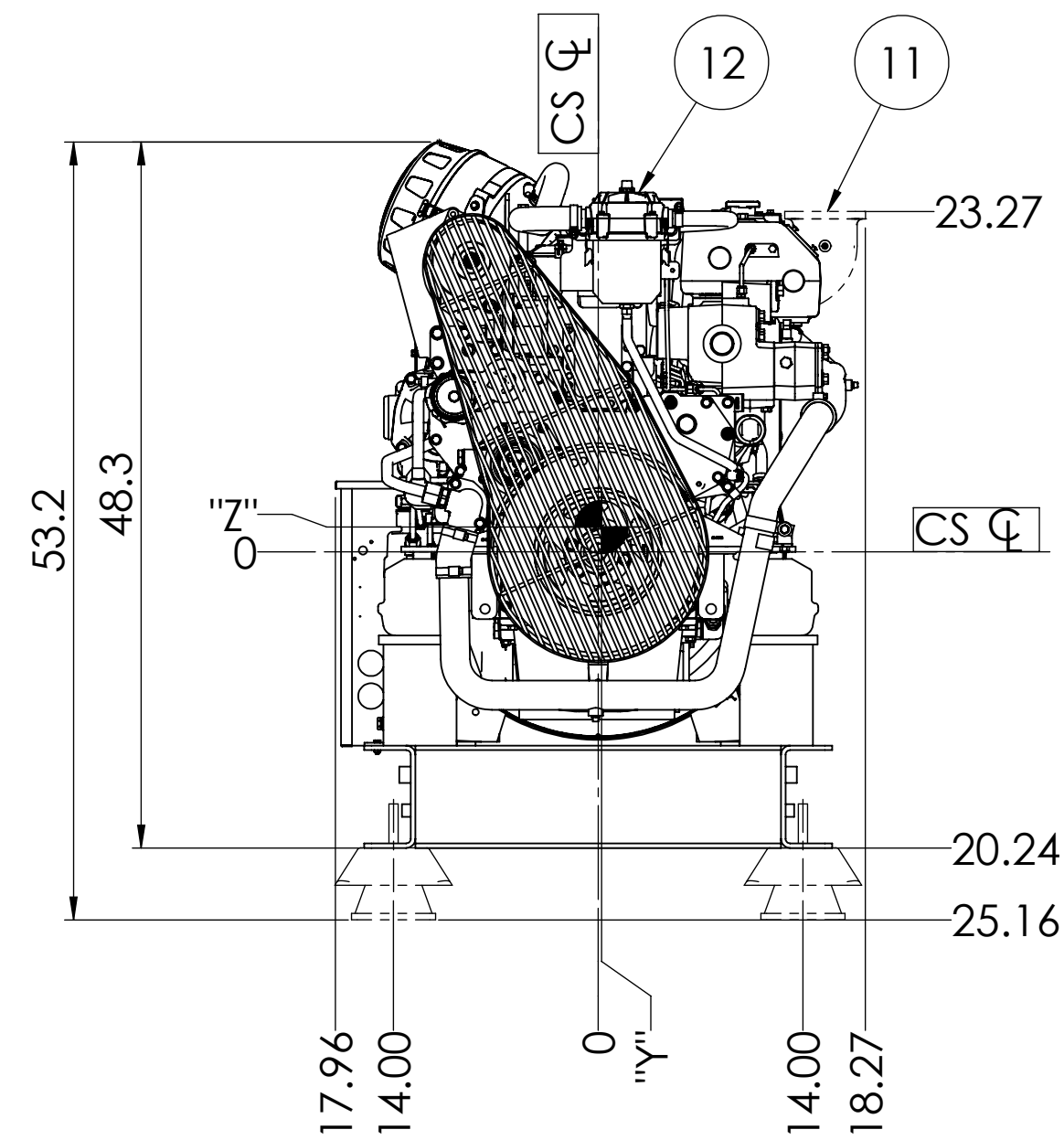


OPTIONAL DRY EXHAUST  
FLANGE DETAIL  
SCALE 1:4

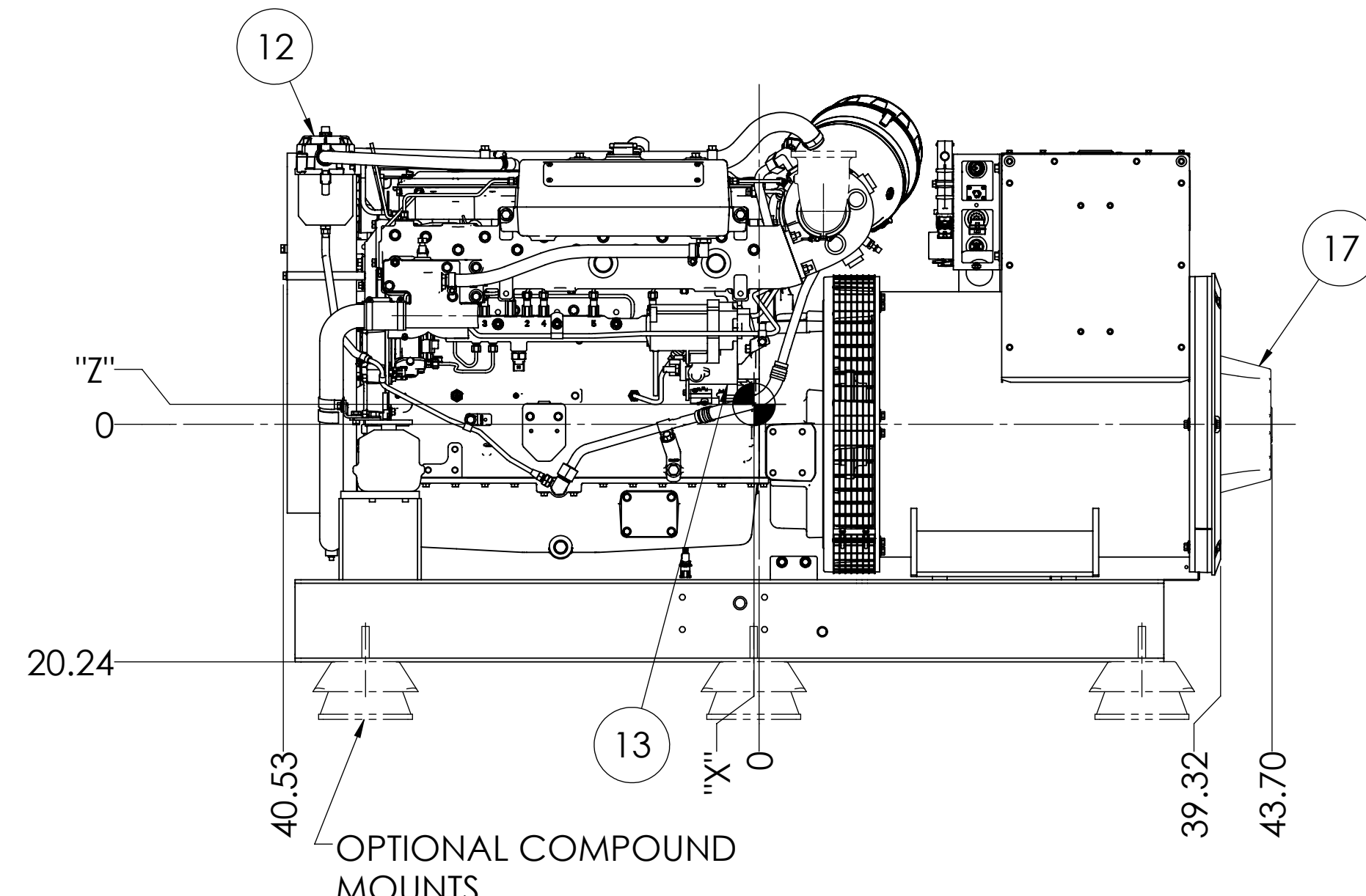
ITEM	DESCRIPTION
1	EXPANSION TANK
2	COOLANT FILL
3	COOLANT SUPPLY FROM KEEL COOLER - Ø2.0 H.B.
4	COOLANT RETURN TO KEEL COOLER - Ø2.0 H.B.
5	FUEL SUPPLY - 3/8 NPT
6	FUEL RETURN - 3/8 NPT
7	CRANKCASE OIL FILL/DIPSTICK
8	CRANKCASE OIL FILTER
9	ENGINE OIL DRAIN - 3/8 NPT
10	AIR INLET FILTER
11	OPTIONAL DRY EXHAUST ELBOW - SEE DETAIL
12	CLOSED CRANKCASE VENTILATION SYSTEM
13	ELECTRIC STARTER
14	PRIMARY FUEL FILTER
15	FINAL FUEL FILTER
16	ENGINE CONTROL UNIT
17	PMG
18	D.C. JUNCTION BOX
19	EMERGENCY STOP SWITCH



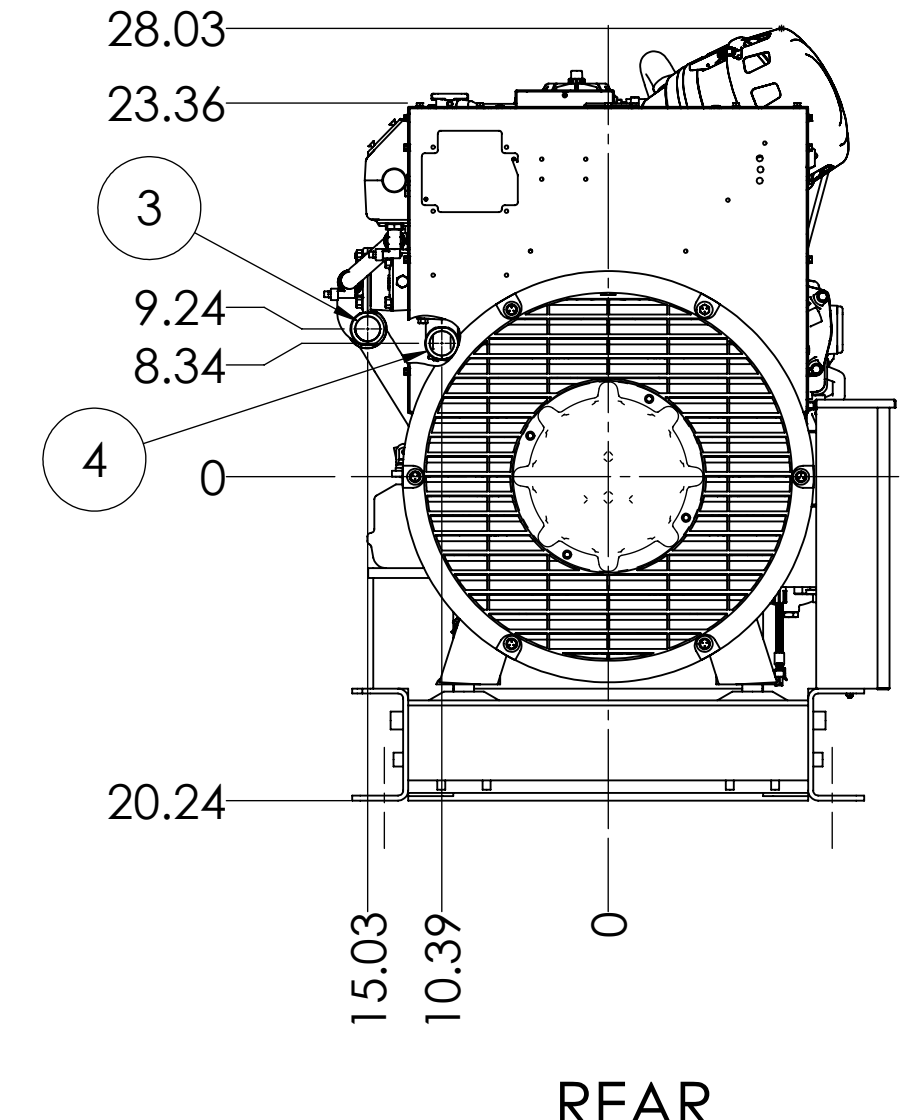
LEFT SIDE



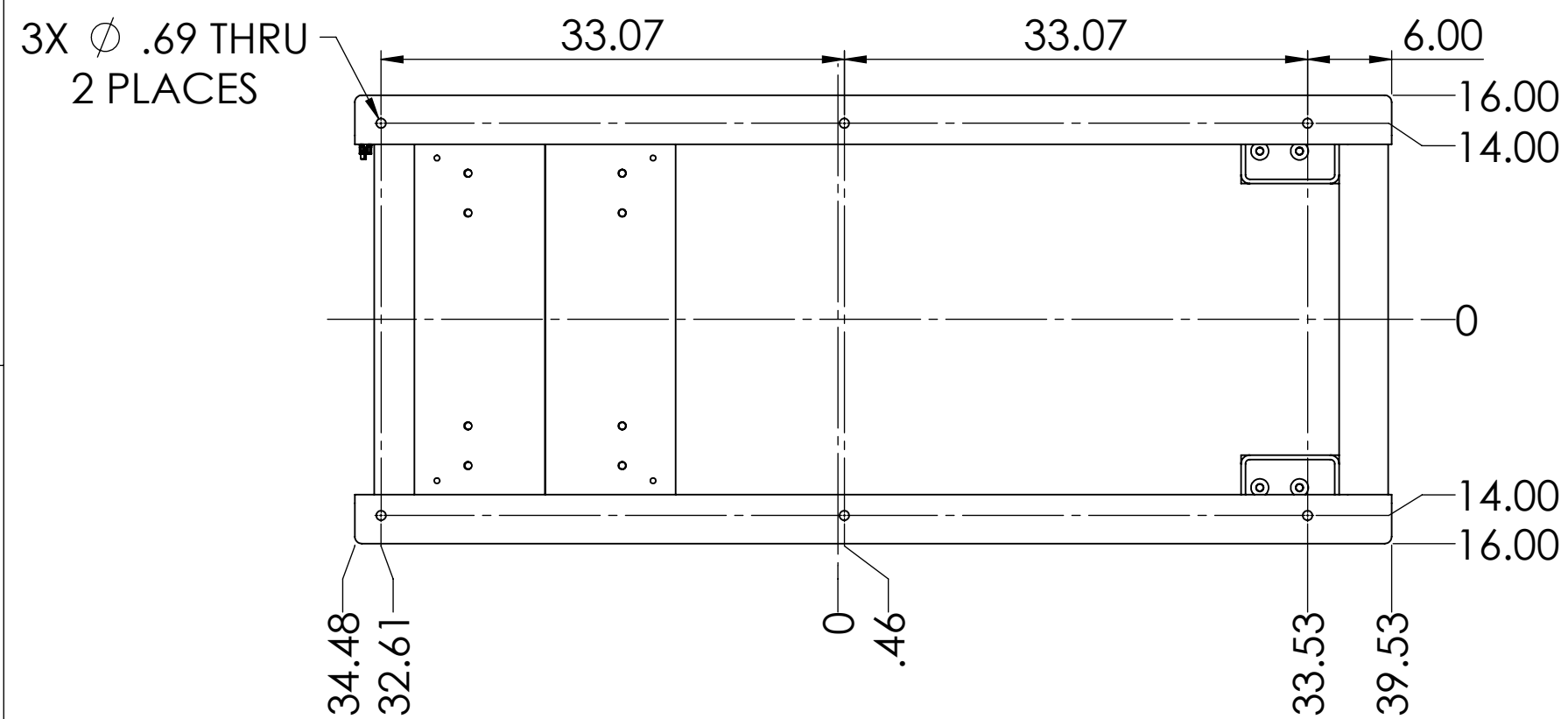
FRONT



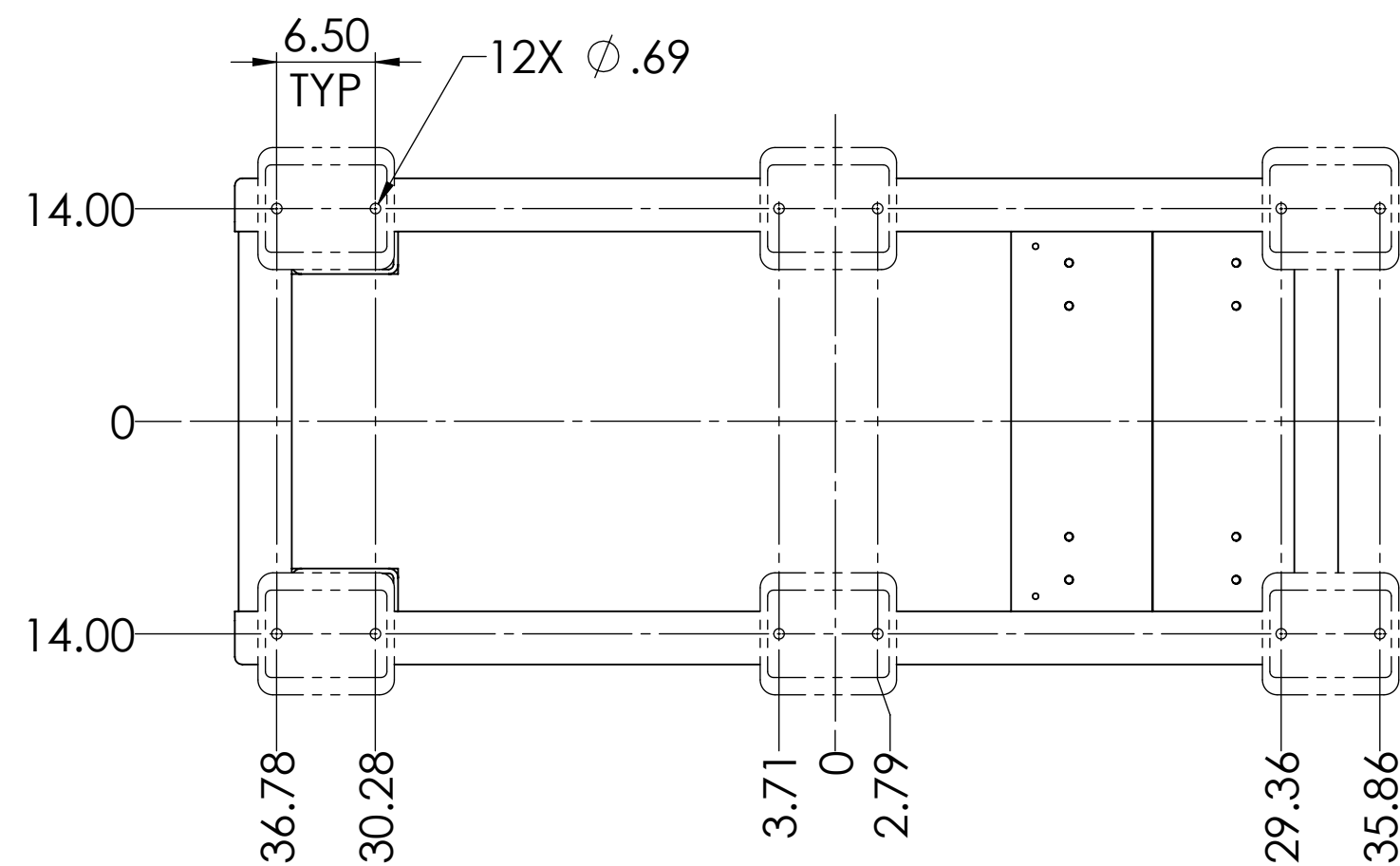
RIGHT SIDE



REAR



BOTTOM



OPTIONAL COMPOUND  
MOUNTS

THE DIMENSIONS ON THIS DRAWING ARE SUBJECT TO CHANGE. PLEASE CONTACT NLI TO BE SURE YOU HAVE THE MOST CURRENT REVISION.

EST. WEIGHT AND C.G.				
MODEL	WEIGHT	C.G.		
	LBS.	X	Y	Z
M150A13.21 (150kW/60Hz)	3480	.3	.2	1.7

NOTE: WEIGHTS INCLUDE OIL, NO COOLANT.

REV.	DESCRIPTION	DATE	BY	CHECKED
A	RELOCATED ECU, ADDED E-STOP SWITCH, WEIGHT NOW 3480 LBS WAS 3465 LBS. ECN 7307	4/28/2021	MG	DV

REVISIONS	NAME	DATE
	MG	07/07/17

<small>UNLESS OTHERWISE SPECIFIED: DIMENSIONS ARE IN INCHES TOLERANCES: ANGULAR: 0.5° HORIZONTAL: .015" X ± 0.1 XX ± 0.04 XXX ± 0.005 INTERPRET GEOMETRIC TOLERANCING PER ASME Y14.5M MATERIAL: FINISH: DO NOT SCALE</small>	<small>PROPRIETARY AND CONFIDENTIAL THE INFORMATION CONTAINED IN THIS DRAWING IS THE SOLE PROPERTY OF NORTHERN LIGHTS. ANY REPRODUCTION IN PART OR AS A WHOLE WITHOUT THE WRITTEN PERMISSION OF NORTHERN LIGHTS IS PROHIBITED.</small>	<small>DRAWN: CHECKED: ENG APPR: MEG APPR: G.A. COMMENTS:</small>	<b>NORTHERN LIGHTS</b> 4420 14th AVE. N.W. Seattle, WA 98107 (206) 789-3880 www.northern-lights.com
--	--	---	---

TITLE: <b>INSTALLATION DIMENSIONS M150A13 KEEL COOLED</b>	SIZE: <b>D</b> PART NO.	DWG. NO. <b>D-5024</b>	REV <b>A</b>
SCALE: 1:12	WEIGHT: LBS.	SHEET 1 OF 1	