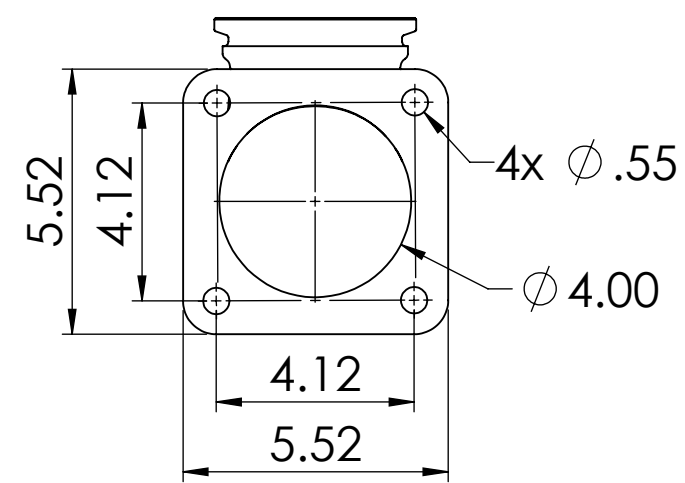
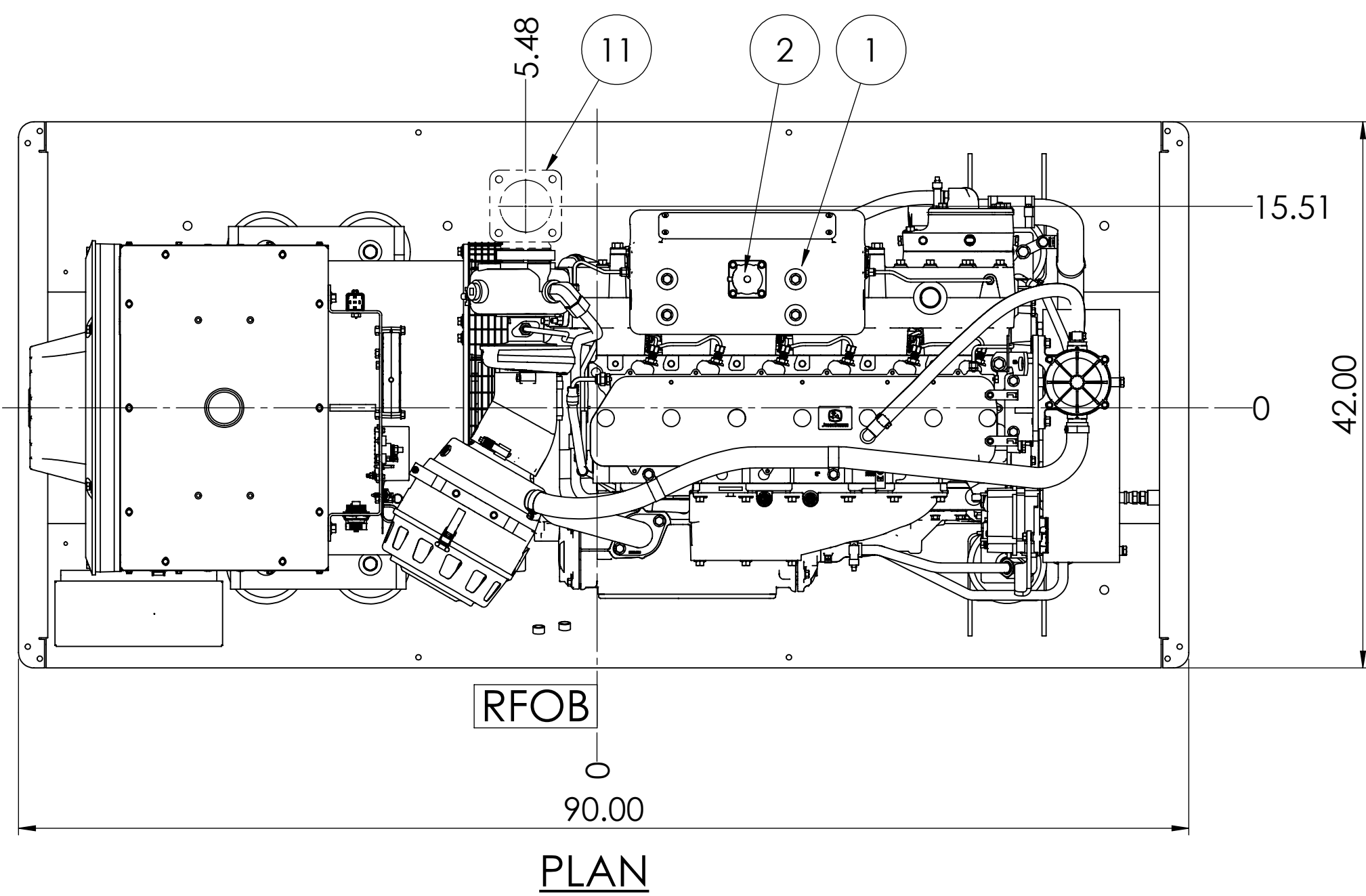


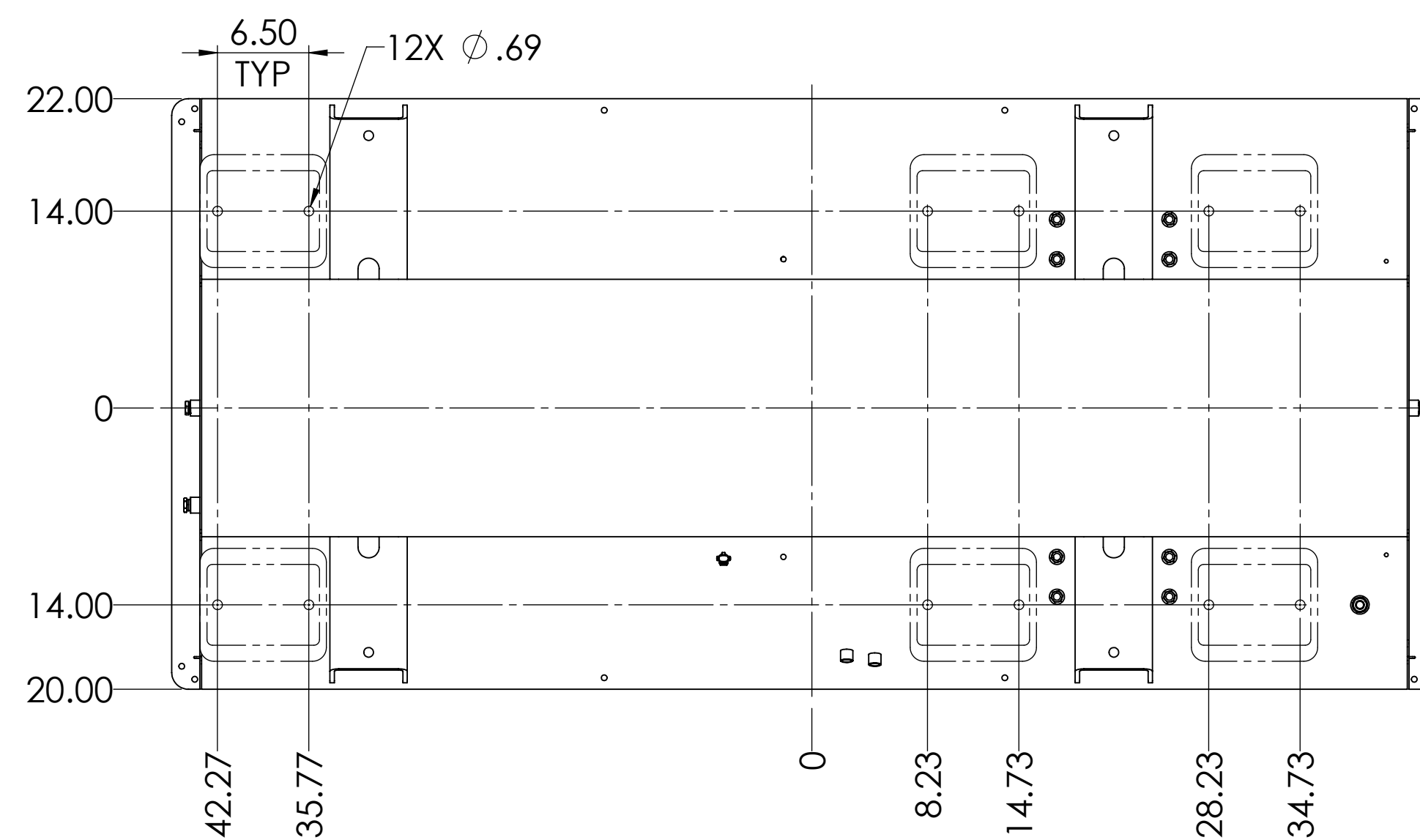
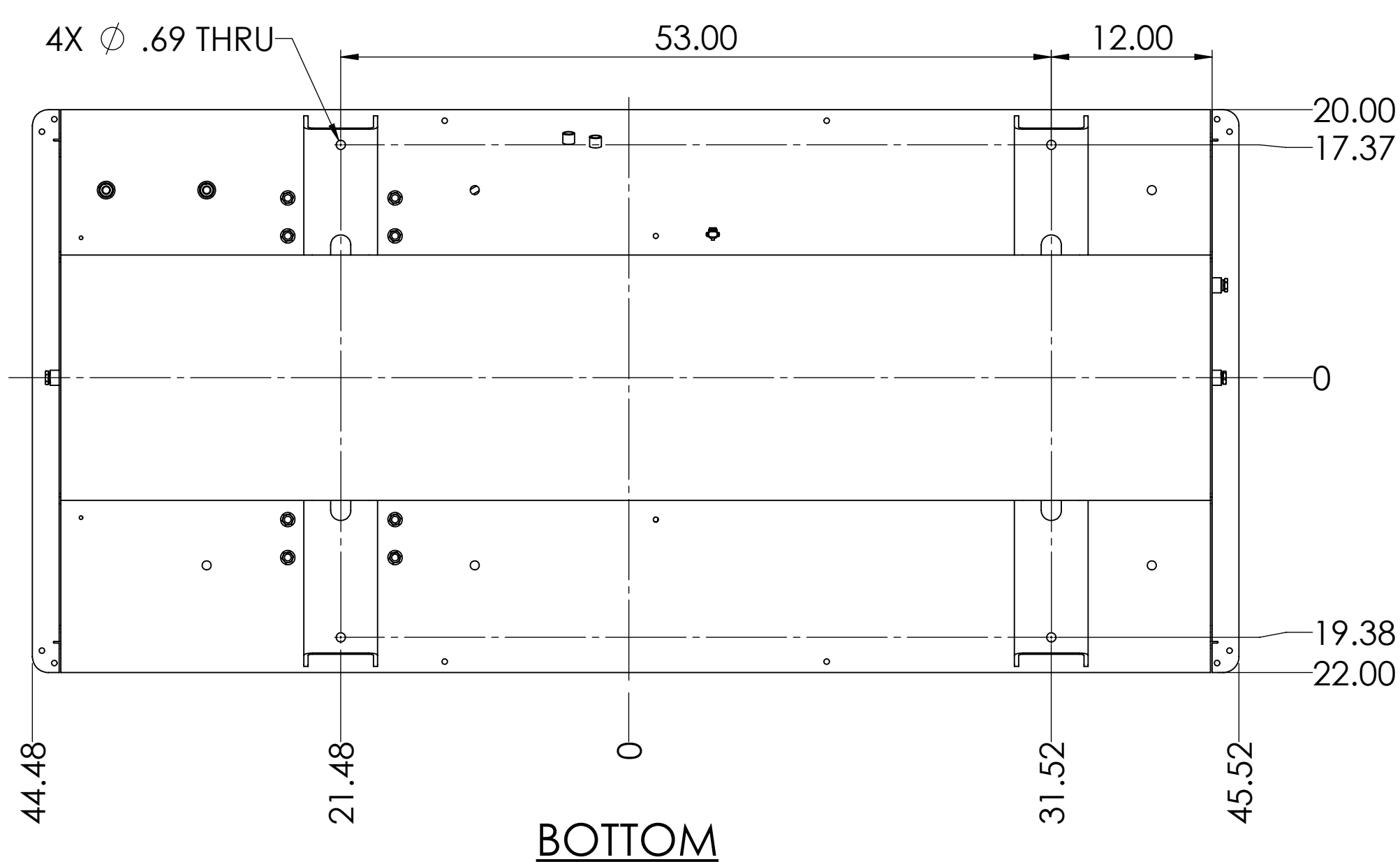
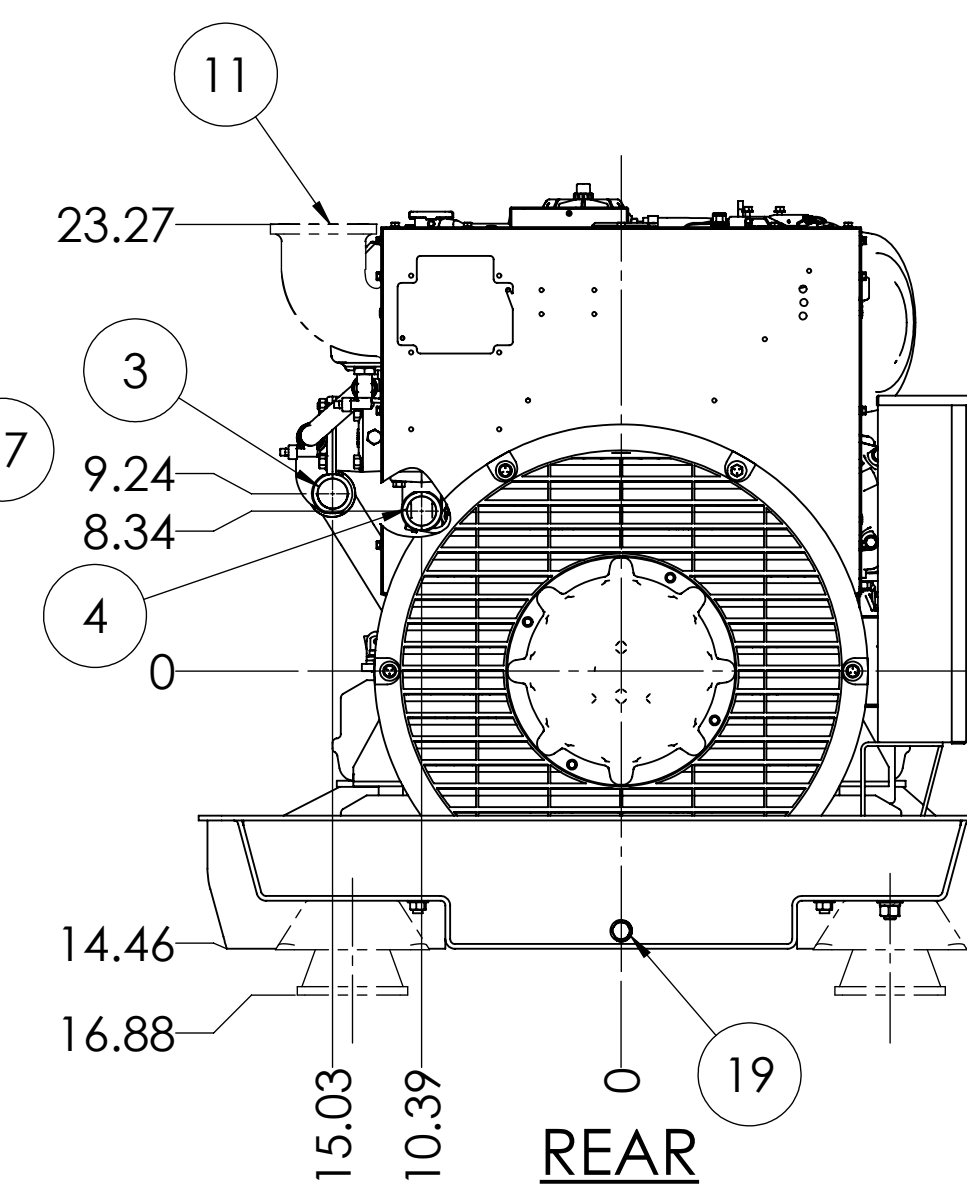
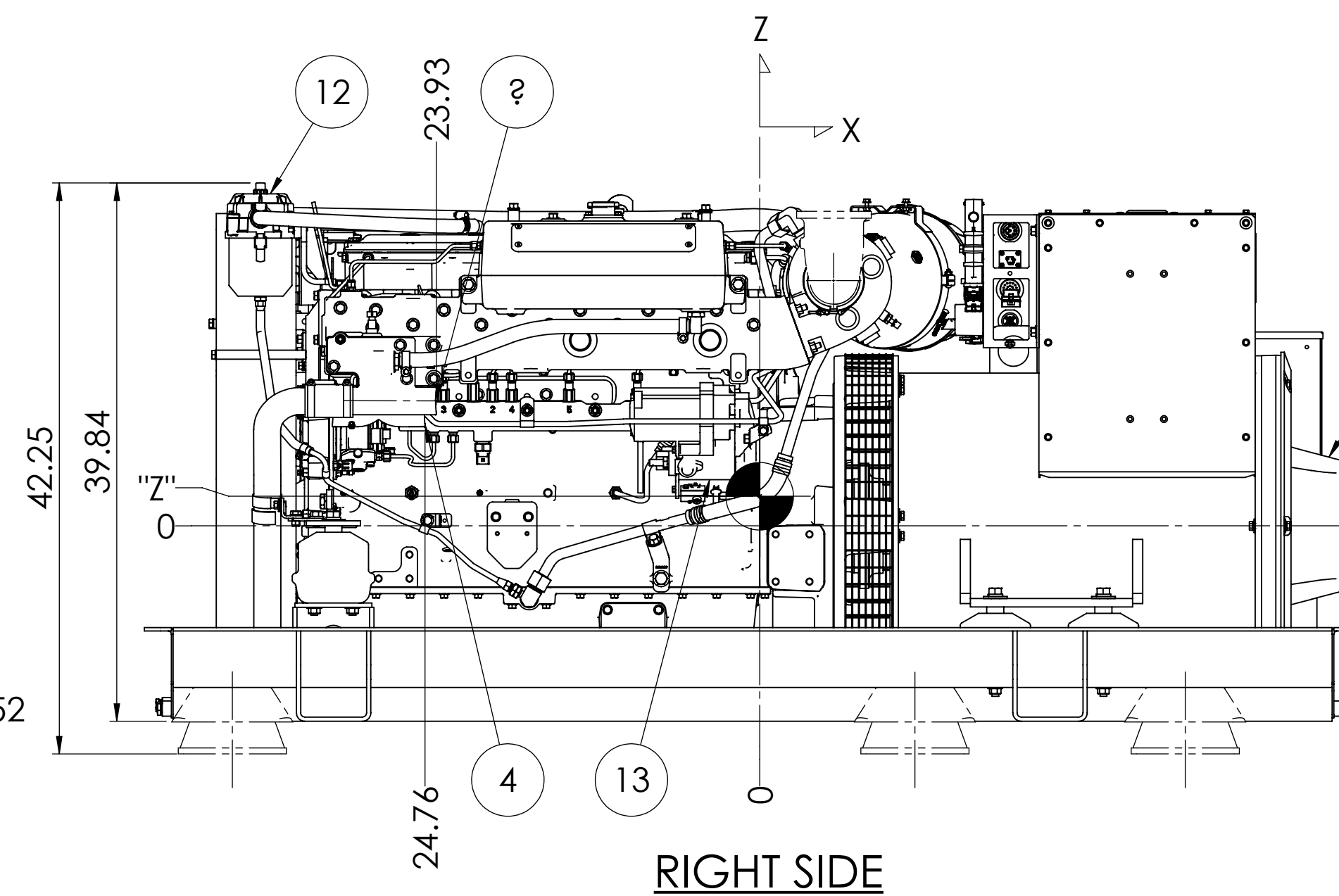
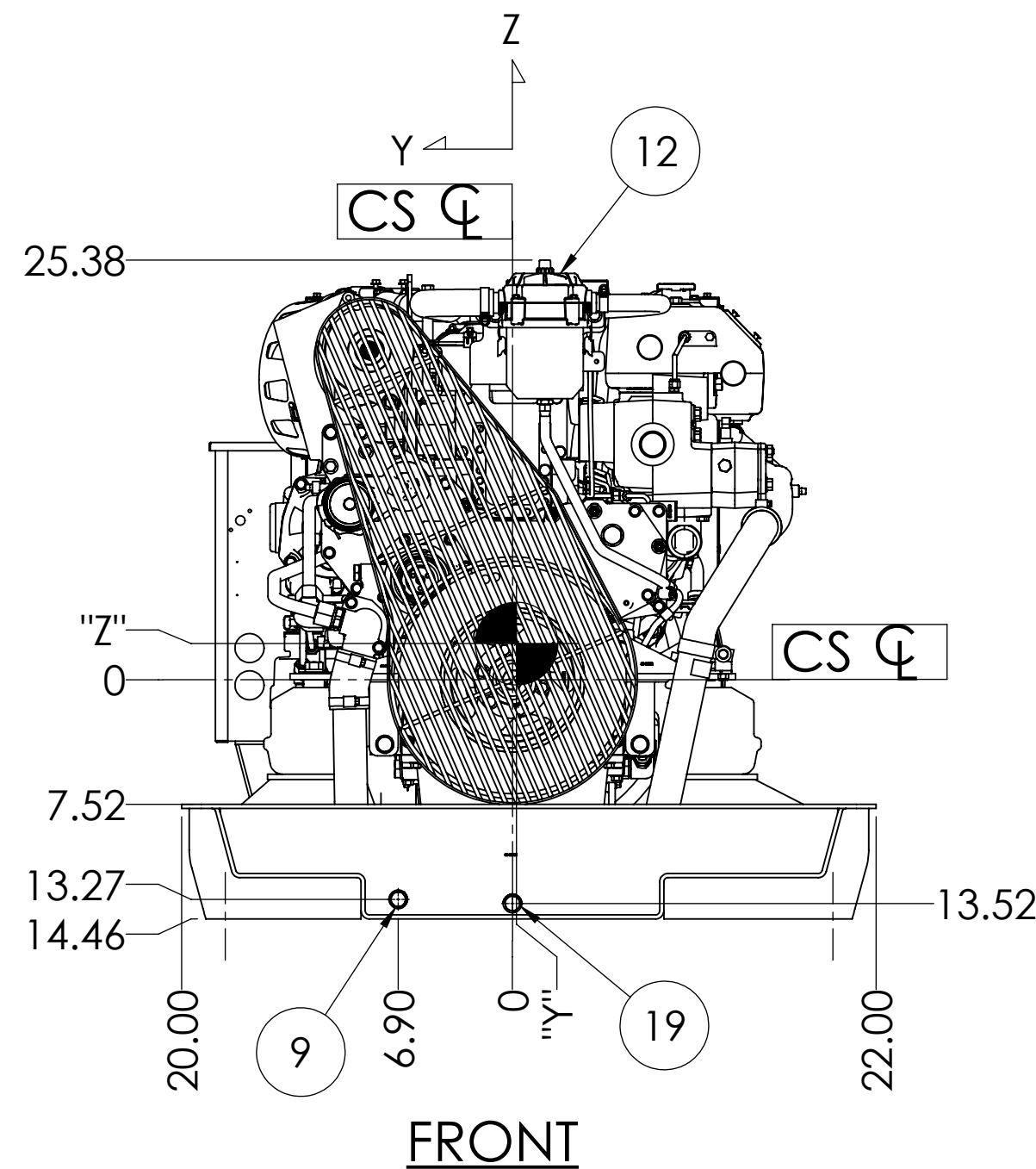
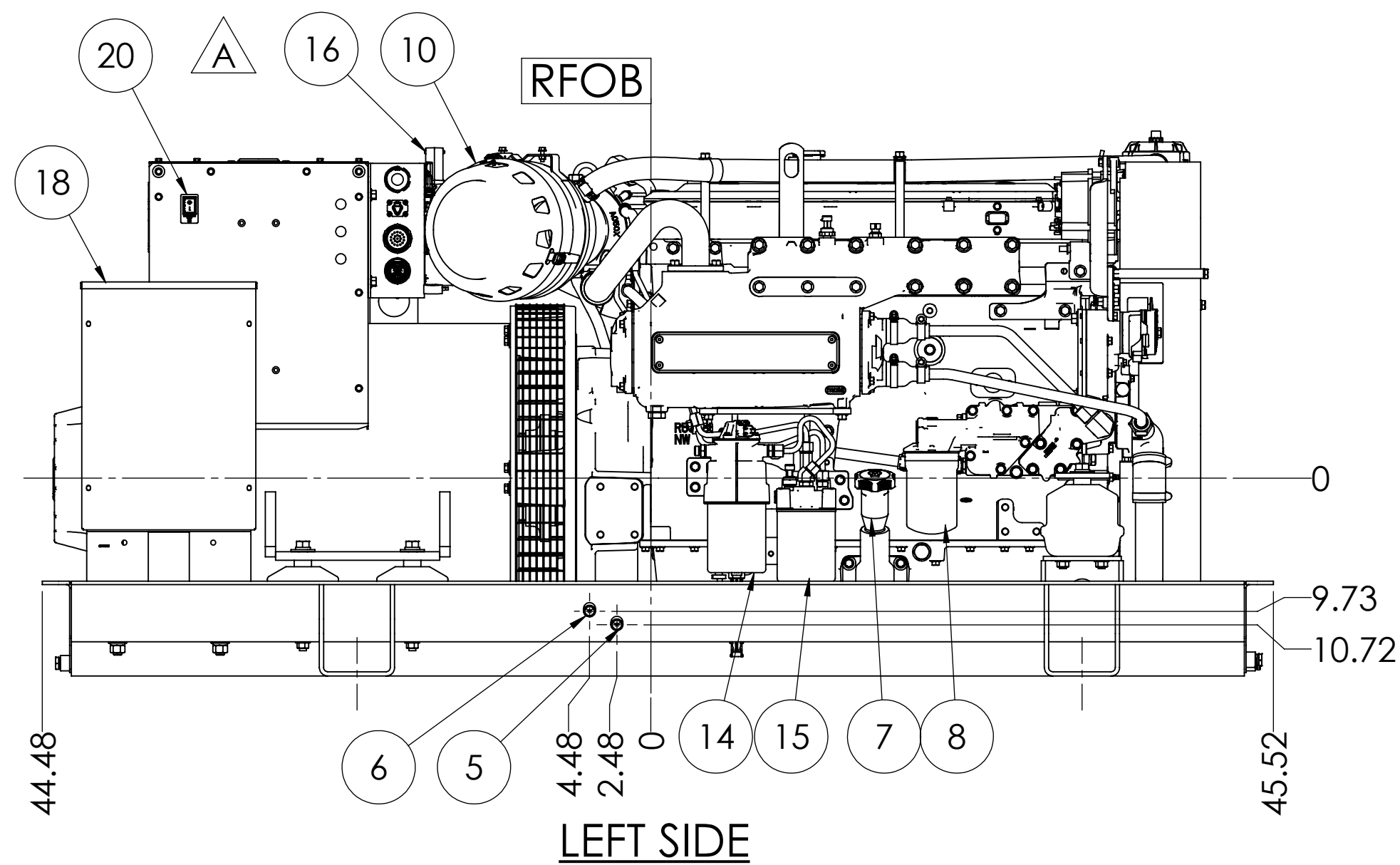
EST. WEIGHT AND C.G.				
MODEL	WEIGHT	C.G.		
	LBS.	X	Y	Z
M150A13.21L (150kW/60Hz)	3500	0	-3	2.2
M150A13.61L (125kW/50Hz)	3645	1.2	-3	2.1

NOTE: WEIGHTS INCLUDE OIL, NO COOLANT.

ITEM	DESCRIPTION
1	EXPANSION TANK
2	COOLANT FILL
3	COOLANT SUPPLY FROM KEEL COOLER - ϕ 2.0 H.B.
4	COOLANT RETURN TO KEEL COOLER - ϕ 2.0 H.B.
5	FUEL SUPPLY - 3/8 NPT
6	FUEL RETURN - 3/8 NPT
7	CRANKCASE OIL FILL/DIPSTICK
8	CRANKCASE OIL FILTER
9	ENGINE OIL DRAIN - 1/2 NPT
10	AIR INLET FILTER
11	OPTIONAL DRY EXHAUST ELBOW - SEE DETAIL
12	CLOSED CRANKCASE VENTILATION SYSTEM
13	ELECTRIC STARTER
14	PRIMARY FUEL FILTER
15	FINAL FUEL FILTER
16	ENGINE CONTROL UNIT
17	PMG
18	D.C. JUNCTION BOX
19	BASE PAN DRAIN - 1/2 NPT
20	EMERGENCY STOP SWITCH



OPTIONAL DRY EXHAUST ELBOW
SCALE 1:4



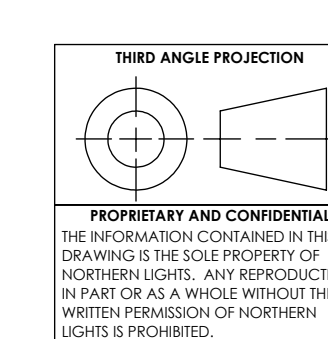
OPTIONAL COMPOUND MOUNTS

THE DIMENSIONS ON THIS DRAWING ARE SUBJECT TO CHANGE. PLEASE CONTACT NLI TO BE SURE YOU HAVE THE MOST CURRENT REVISION.

REV.	DESCRIPTION	DATE	BY	CHECKED
A	RELOCATED ECU, ADDED E-STOP SWITCH, INCREASED WEIGHTS, ECN 7301	4/28/2021	MG	DV

UNLESS OTHERWISE SPECIFIED:	NAME	DATE
DRAWN: MG	MG	07/07/17
CHECKED: TAH	TAH	08/24/17
ENG APPR:		
MFG APPR:		
Q.A.:		

NORTHERN LIGHTS 4420 14th AVE. N.W. Seattle, WA 98107 (206) 789-3880 www.northern-lights.com	
TITLE:	INSTALLATION DIMENSIONS M150A13L KEEL COOLED
SIZE: D	PART NO. DWG. NO. D-5025 REV A
SCALE: 1:10	WEIGHT: LBS. SHEET 1 OF 1



PROPRIETARY AND CONFIDENTIAL
THE INFORMATION CONTAINED IN THIS DRAWING IS THE SOLE PROPERTY OF NORTHERN LIGHTS. ANY REPRODUCTION IN PART OR AS A WHOLE WITHOUT THE WRITTEN PERMISSION OF NORTHERN LIGHTS IS PROHIBITED.

D-5025