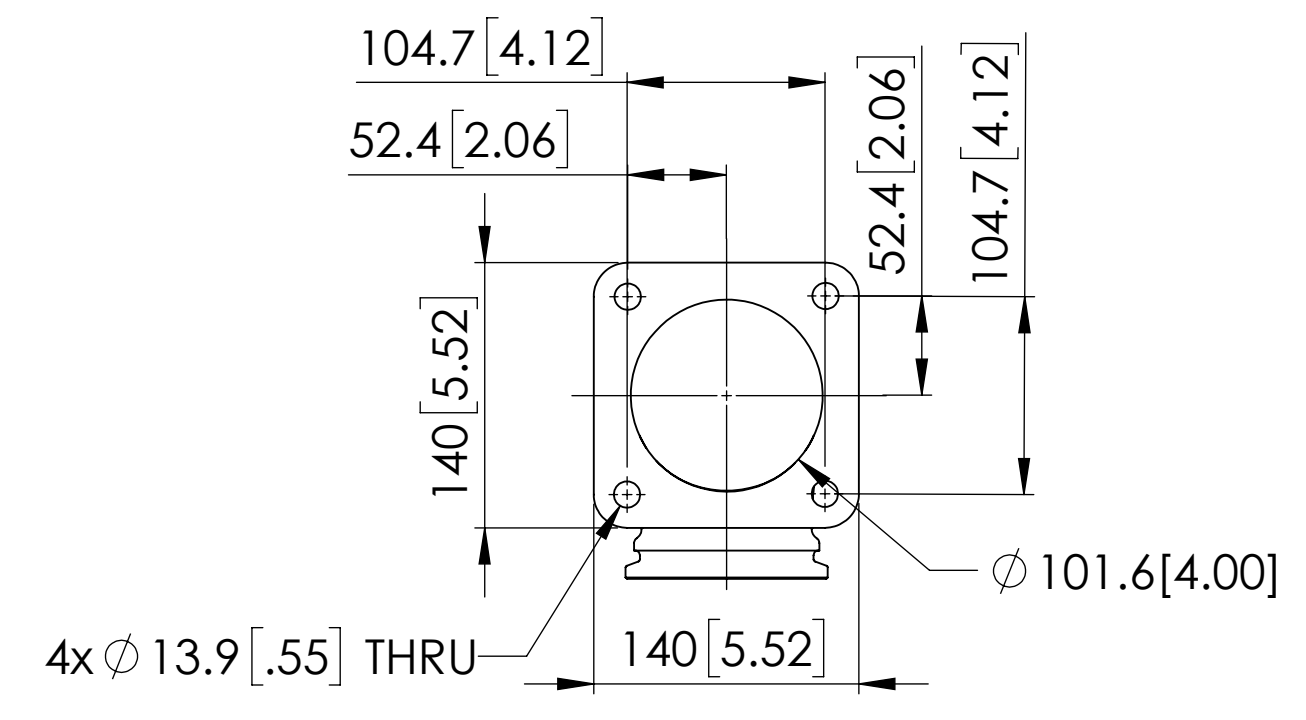
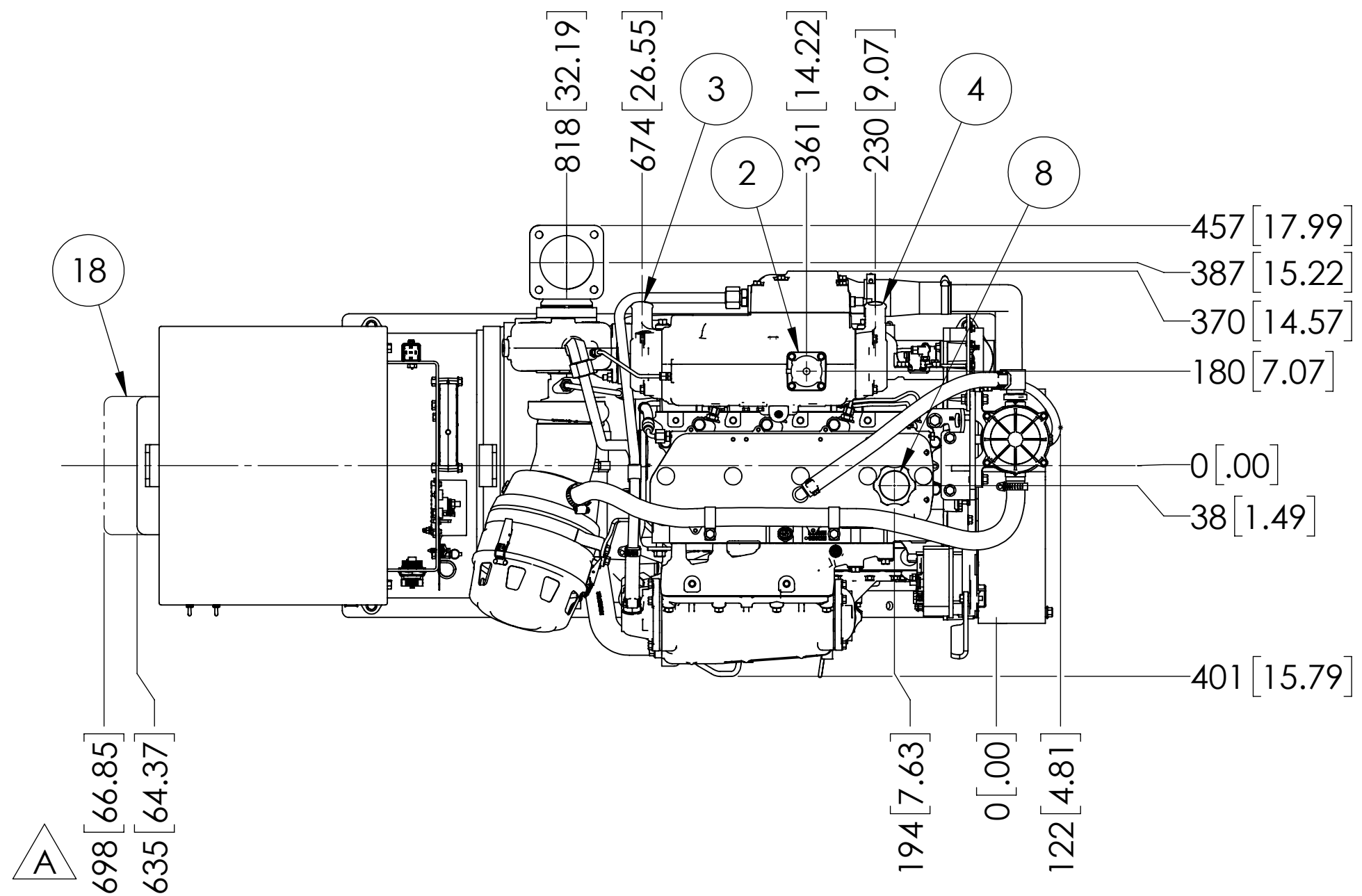
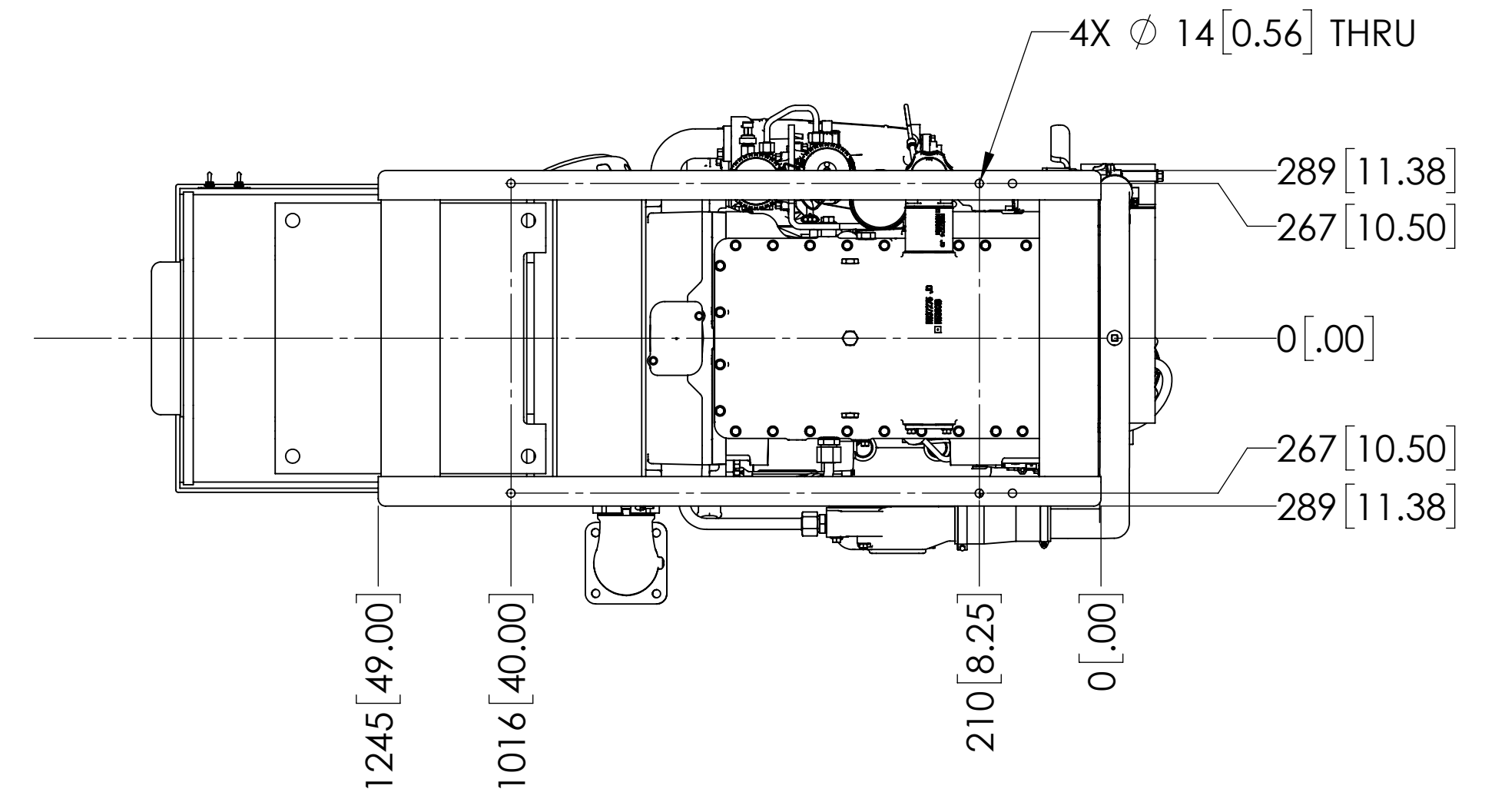
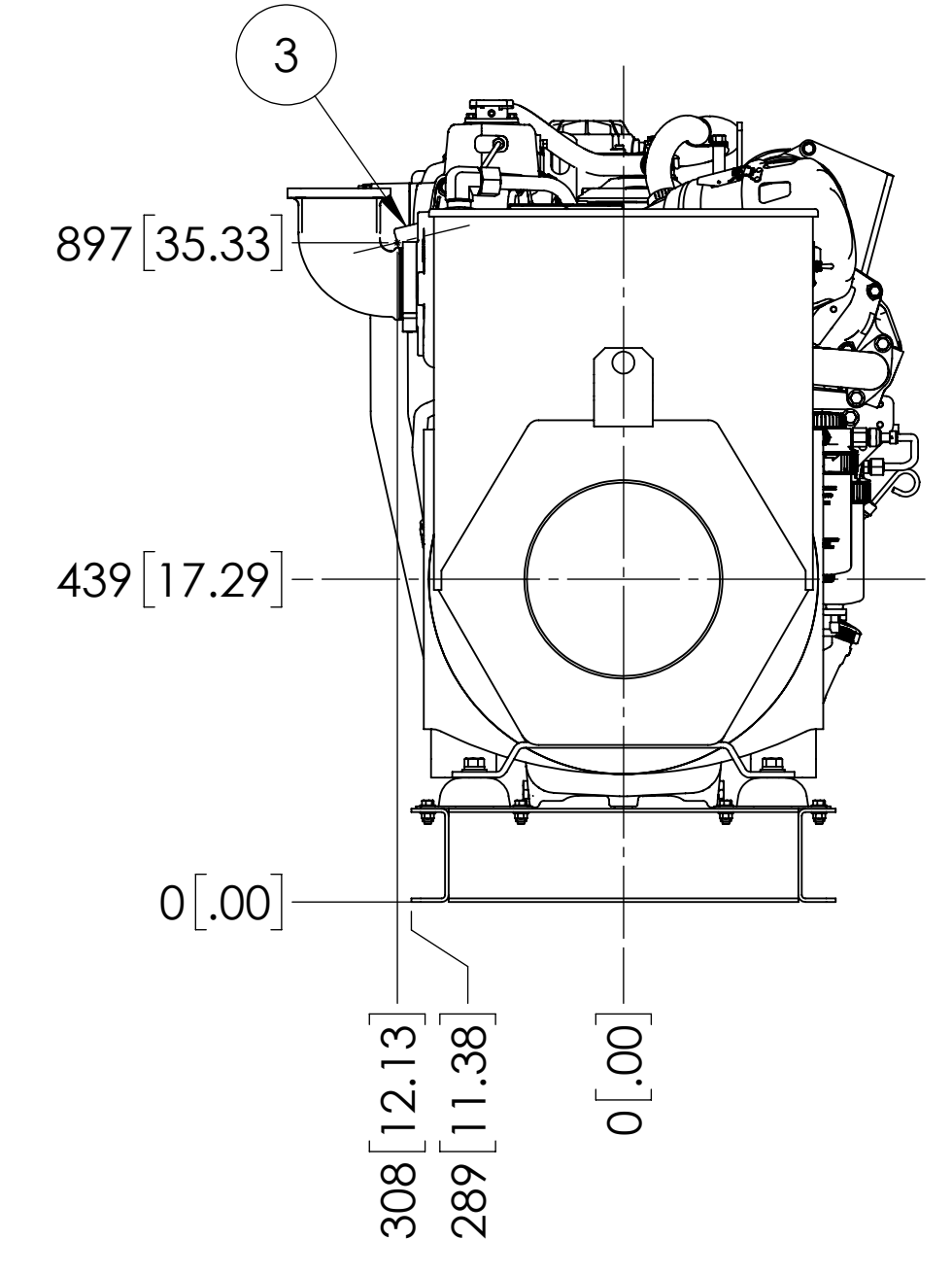
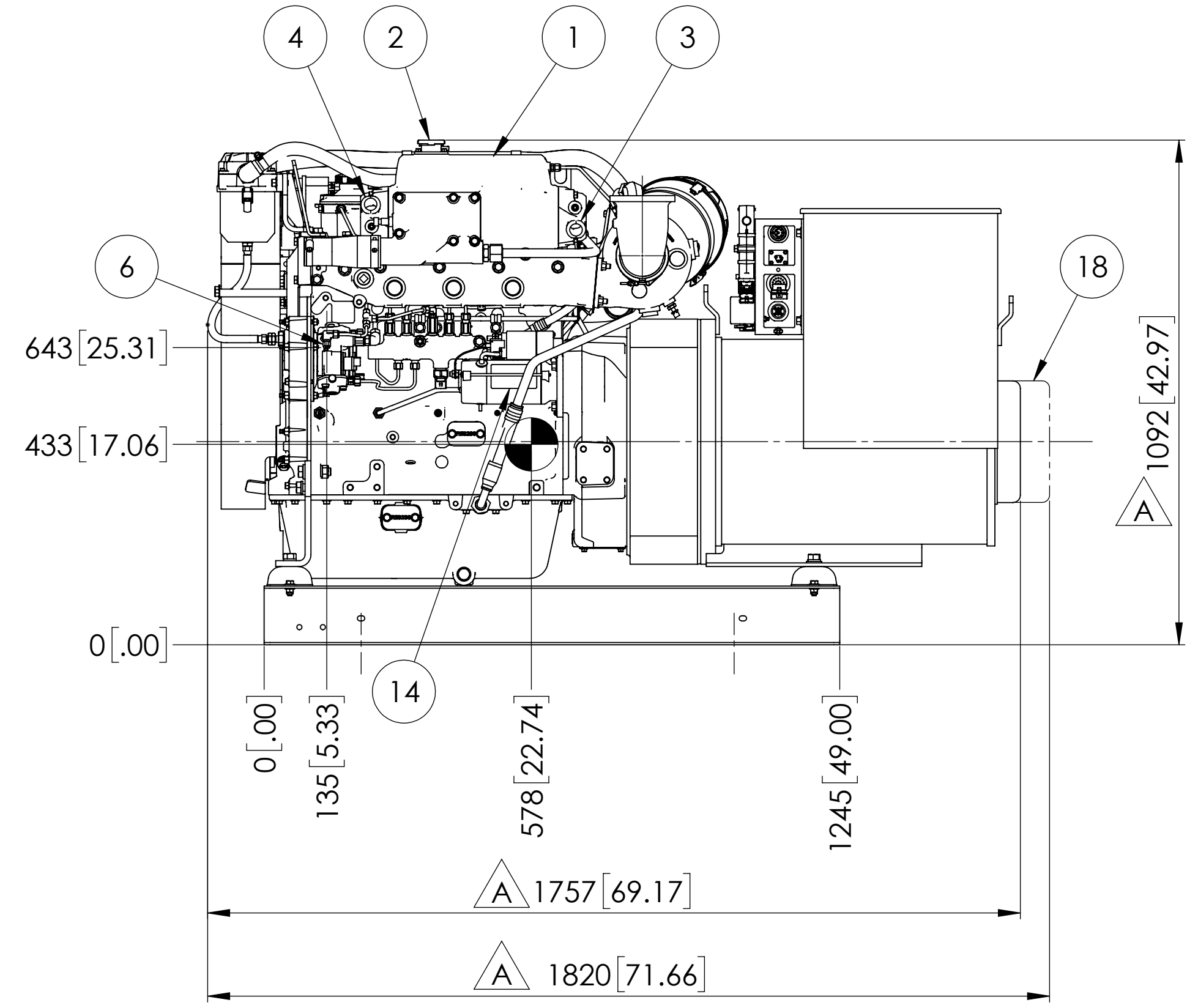
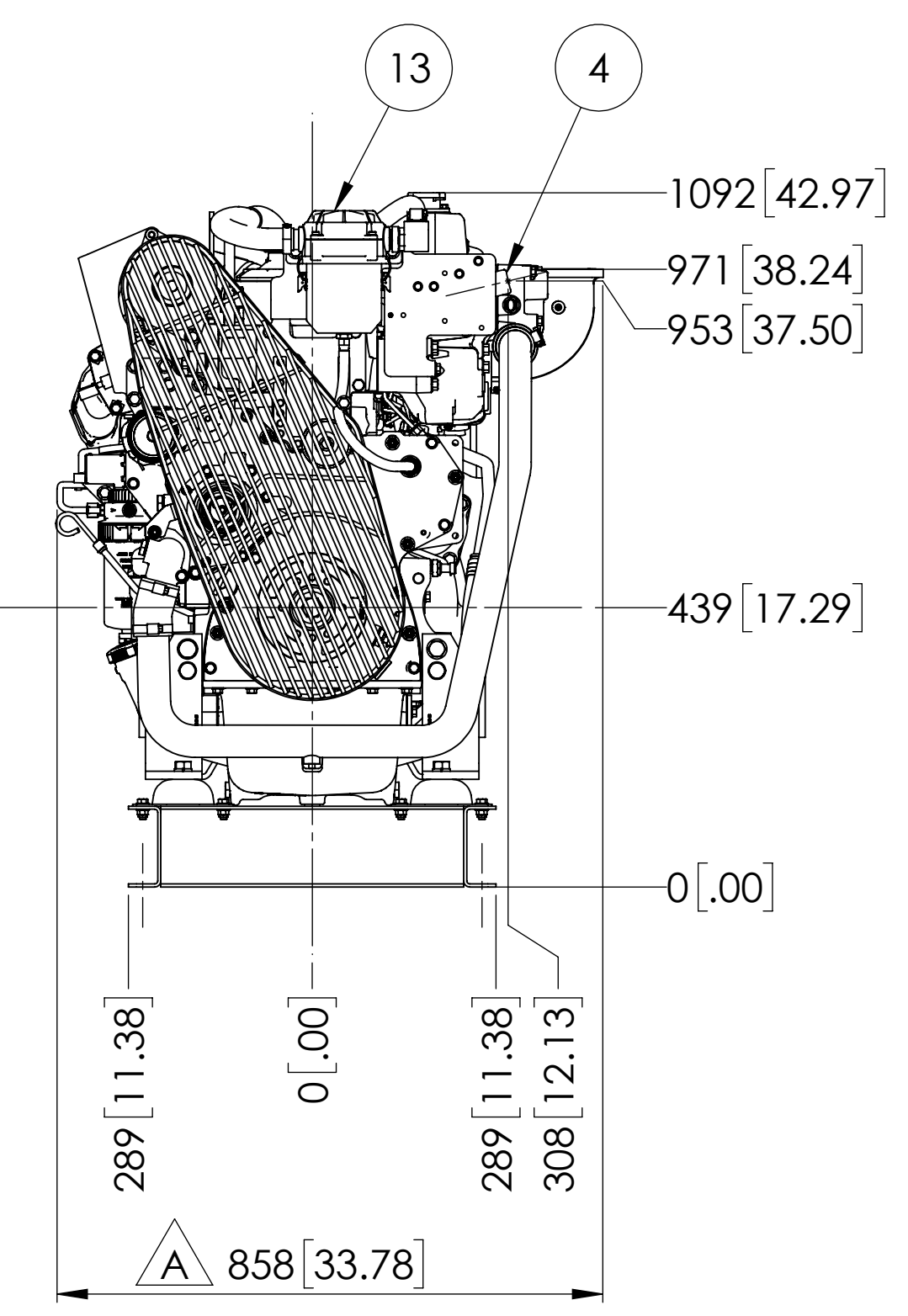
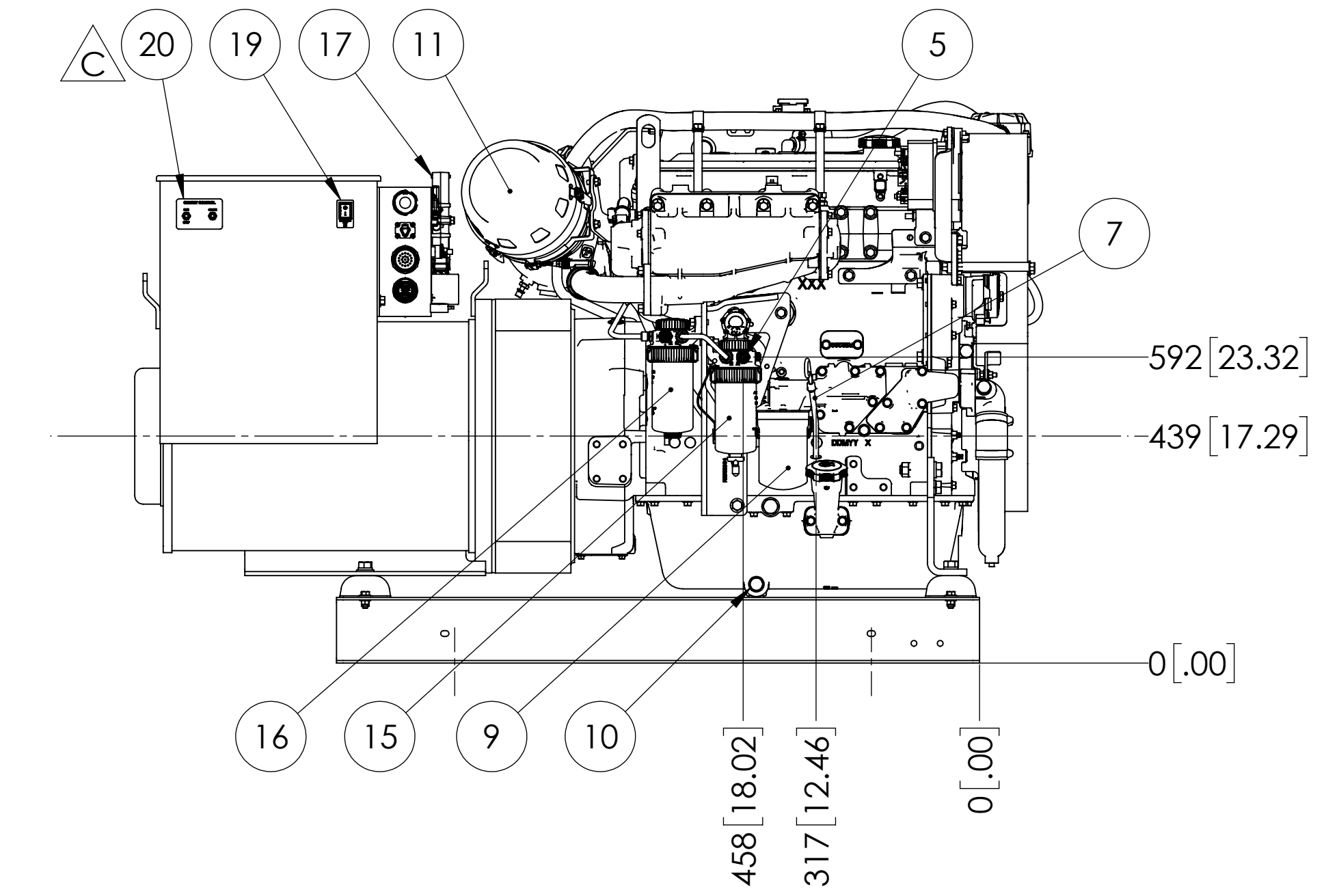


|                                       |                      |
|---------------------------------------|----------------------|
| MODELS                                | APPROX. WT. lbs [kg] |
| M99C13.2S 99kW 1800 RPM 60Hz 3 $\phi$ | 2575 [1168]          |

| ITEM | DESCRIPTION                             |
|------|---|
| 1    | EXPANSION TANK                          |
| 2    | COOLANT FILL                            |
| 3    | COOLANT INLET $\phi$ 1.5 H.B.           |
| 4    | COOLANT OUTLET $\phi$ 1.5 H.B.          |
| 5    | FUEL SUPPLY $\phi$ 3/8 H.B.             |
| 6    | FUEL RETURN $\phi$ 1/4 H.B.             |
| 7    | CRANKCASE OIL DIPSTICK                  |
| 8    | CRANKCASE OIL FILLER                    |
| 9    | CRANKCASE OIL FILTER                    |
| 10   | ENGINE OIL DRAIN - M18x1.5              |
| 11   | AIR INLET FILTER                        |
| 12   | OPTIONAL DRY EXHAUST ELBOW - SEE DETAIL |
| 13   | CLOSED CRANKCASE VENTILATION SYSTEM     |
| 14   | ELECTRIC STARTER                        |
| 15   | PRIMARY FUEL FILTER                     |
| 16   | FINAL FUEL FILTER                       |
| 17   | ENGINE CONTROL UNIT                     |
| 18   | OPTIONAL PMG                            |
| 19   | EMERGENCY STOP SWITCH                   |
| 20   | GENSET CONTROL TOGGLE SWITCHES          |



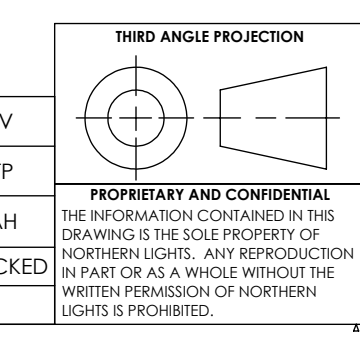
**A** OPTIONAL DRY EXHAUST ELBOW FLANGE DETAIL



**A** NOTE:  
1. FOR M99C13 WITH OPTIONAL PTO, SEE DRAWING D-4775.

THE DIMENSIONS ON THIS DRAWING ARE SUBJECT TO CHANGE. PLEASE CONTACT NLI TO BE SURE YOU HAVE THE MOST CURRENT REVISION.

| REV. | DESCRIPTION   | DATE      | BY | CHECKED |
|------|---|-----------|----|---------|
| C    | MOVED ENGINE TO ECU HARNESS KIT. ADDED GENSET CONTROL AND E-STOP SWITCHES. ECN 7310   | 4/29/2021 | MG | DV      |
| B    | ADDED ENGINE TO ECU HARNESS KIT, CHANGED DIM.; NOW 1101 WAS 1092, CHANGED WEIGHT; NOW 2575 LB WAS 2565 LB. ECN 6799               | 6/11/2020 | MG | LTP     |
| A    | ADDED OVERALL DIMENSIONS, NOTED DRY EXHAUST ELBOW IS OPTIONAL AND ADDED DIMENSION FOR GENERATOR W/PMG AND ADDED NOTE 1. ECN #2794 | 7/8/2014  | MG | TAH     |



|   |  |              |          |                                 |   |
|---|--|--------------|----------|---------------------------------|---|
| UNLESS OTHERWISE SPECIFIED:                     |  | NAME         | DATE     | <b>NORTHERN LIGHTS</b>          | 4420 14th AVE. N.W.<br>Seattle, WA 98107<br>(206) 789-3880<br>www.northern-lights.com |
| DIMENSIONS ARE IN MILLIMETERS                   |  | MG           | 08/06/13 |                                 |   |
| TOLERANCES:                                     |  | DRAWN        |          | TITLE:                          |   |
| ANGULAR: MACH 30.5° BEND ± 1.0°                 |  | CHECKED      |          | INSTALLATION DIMENSIONS         |   |
| X. ± 3  |  | ENG APPR.    |          | M99C13.2S K.C. W/O OPTIONAL PTO |   |
| X.X ± 2   |  | MEG APPR.    |          | PART NO.                        |   |
| INTERPRET GEOMETRIC TOLERANCING PER ASME Y14.5M |  | G.A.         |          | DWG. NO.                        |   |
| MATERIAL:                                       |  | COMMENTS:    |          | D-4693                          |   |
| FINISH:   |  | SCALE: 1:10  |          | WEIGHT:                         |   |
| DO NOT SCALE                                    |  | SHEET 1 OF 1 |          | REV C                           |   |