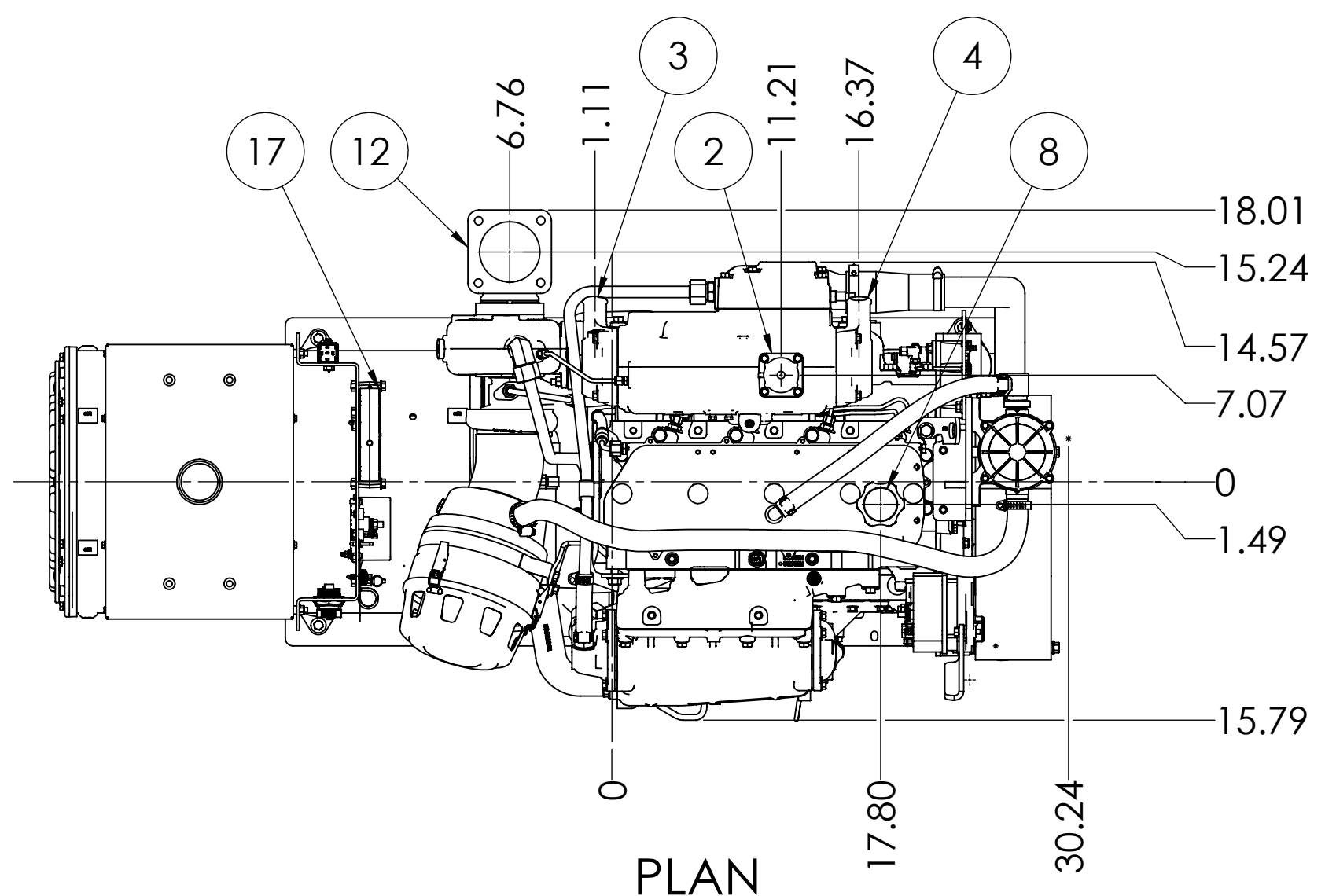


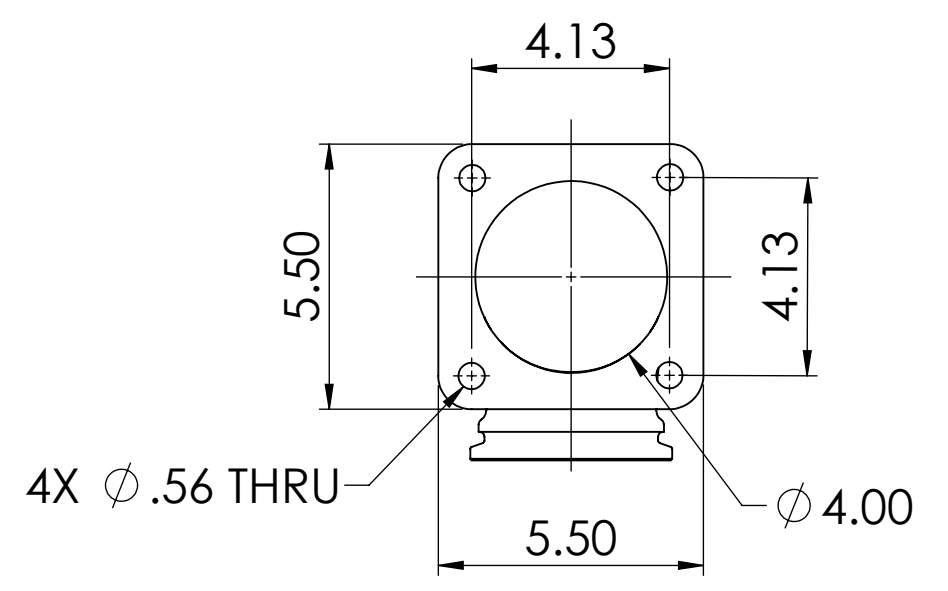
|                                       |                      |
|---------------------------------------|----------------------|
| MODELS                                | APPROX. WT. lbs [kg] |
| M99C13.21 99kW 1800 RPM 60Hz 3 $\phi$ | 2410 [1093]          |



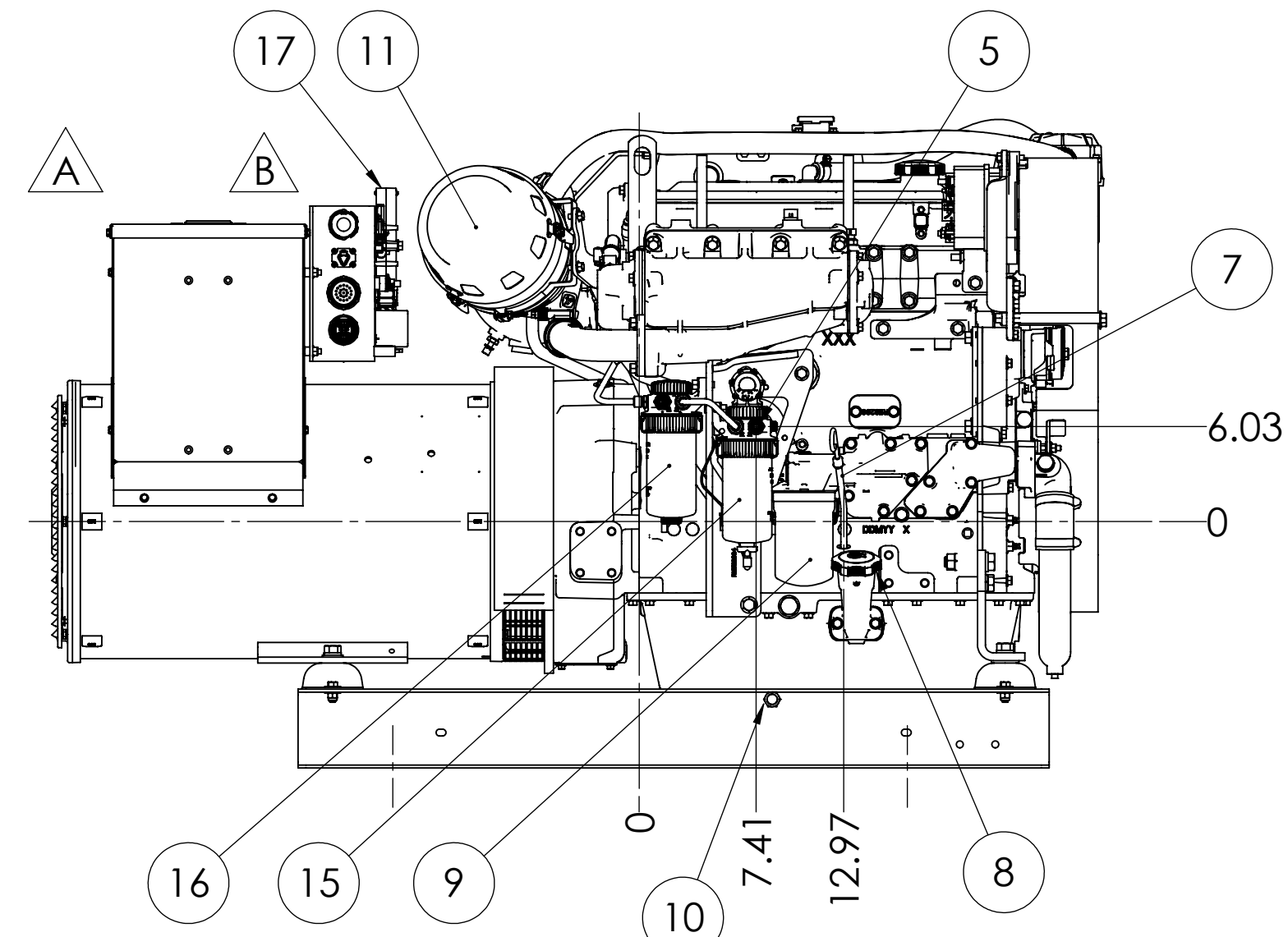
| ITEM | DESCRIPTION                             |
|------|---|
| 1    | EXPANSION TANK                          |
| 2    | COOLANT FILL                            |
| 3    | COOLANT INLET $\phi$ 1.5 H.B.           |
| 4    | COOLANT OUTLET $\phi$ 1.5 H.B.          |
| 5    | FUEL SUPPLY $\phi$ 3/8 H.B.             |
| 6    | FUEL RETURN $\phi$ 1/4 H.B.             |
| 7    | CRANKCASE OIL DIPSTICK                  |
| 8    | CRANKCASE OIL FILLER                    |
| 9    | CRANKCASE OIL FILTER                    |
| 10   | ENGINE OIL DRAIN - M18x1.5              |
| 11   | AIR INLET FILTER                        |
| 12   | OPTIONAL DRY EXHAUST ELBOW - SEE DETAIL |
| 13   | CLOSED CRANKCASE VENTILATION SYSTEM     |
| 14   | ELECTRIC STARTER                        |
| 15   | PRIMARY FUEL FILTER                     |
| 16   | FINAL FUEL FILTER                       |
| 17   | ENGINE CONTROL UNIT                     |
| 18   | OPTIONAL PMG                            |



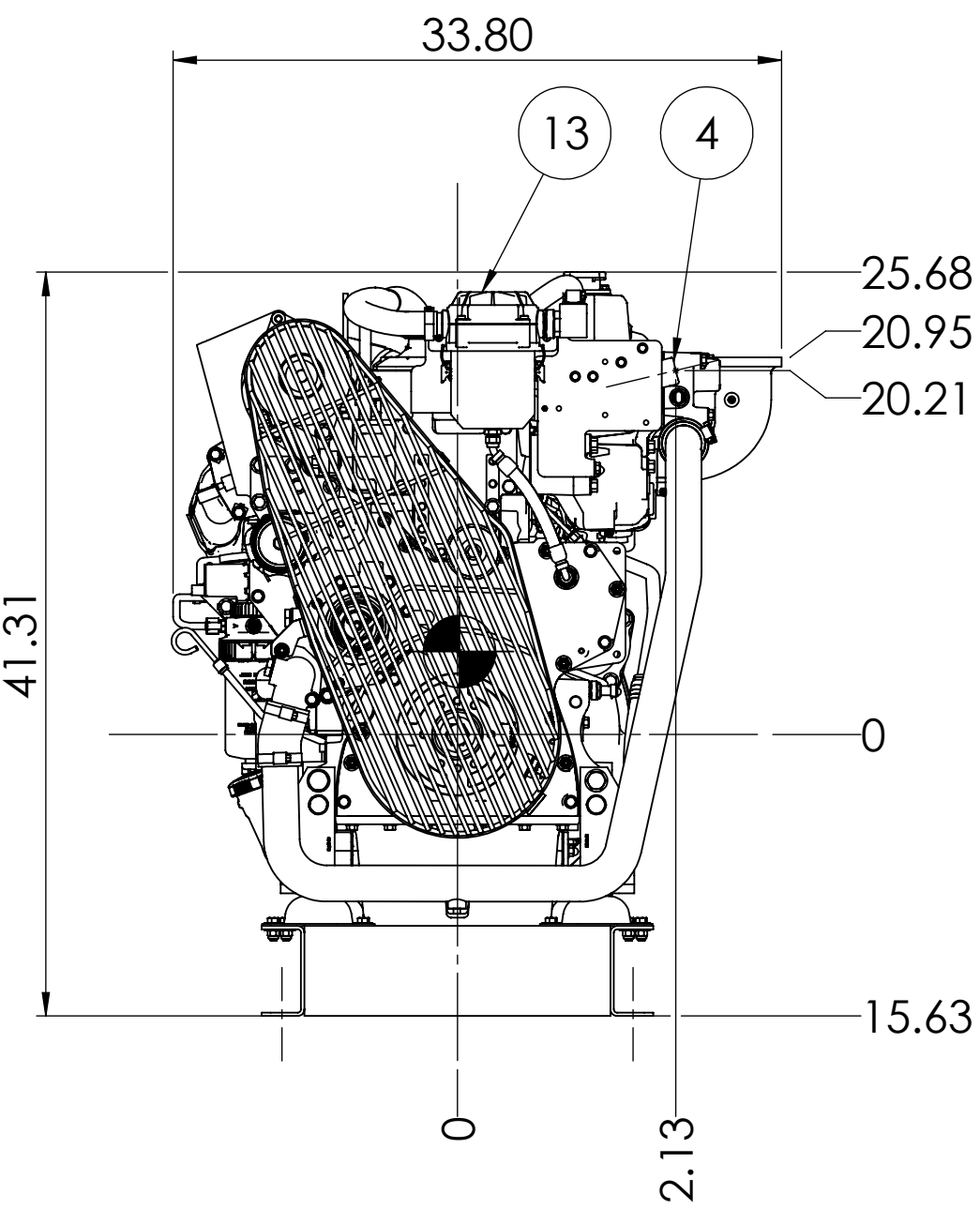
PLAN



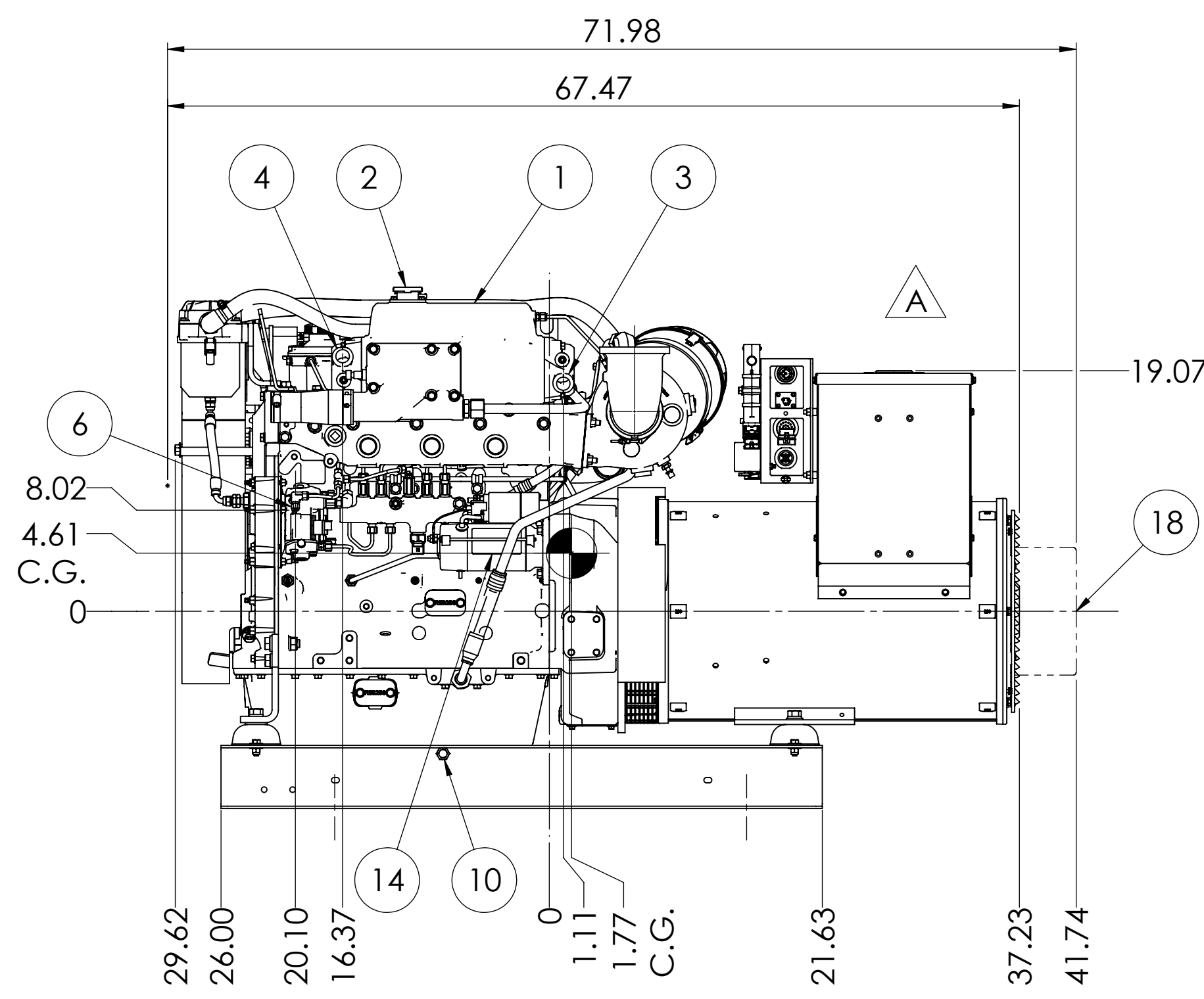
OPTIONAL DRY EXHAUST ELBOW FLANGE DETAIL



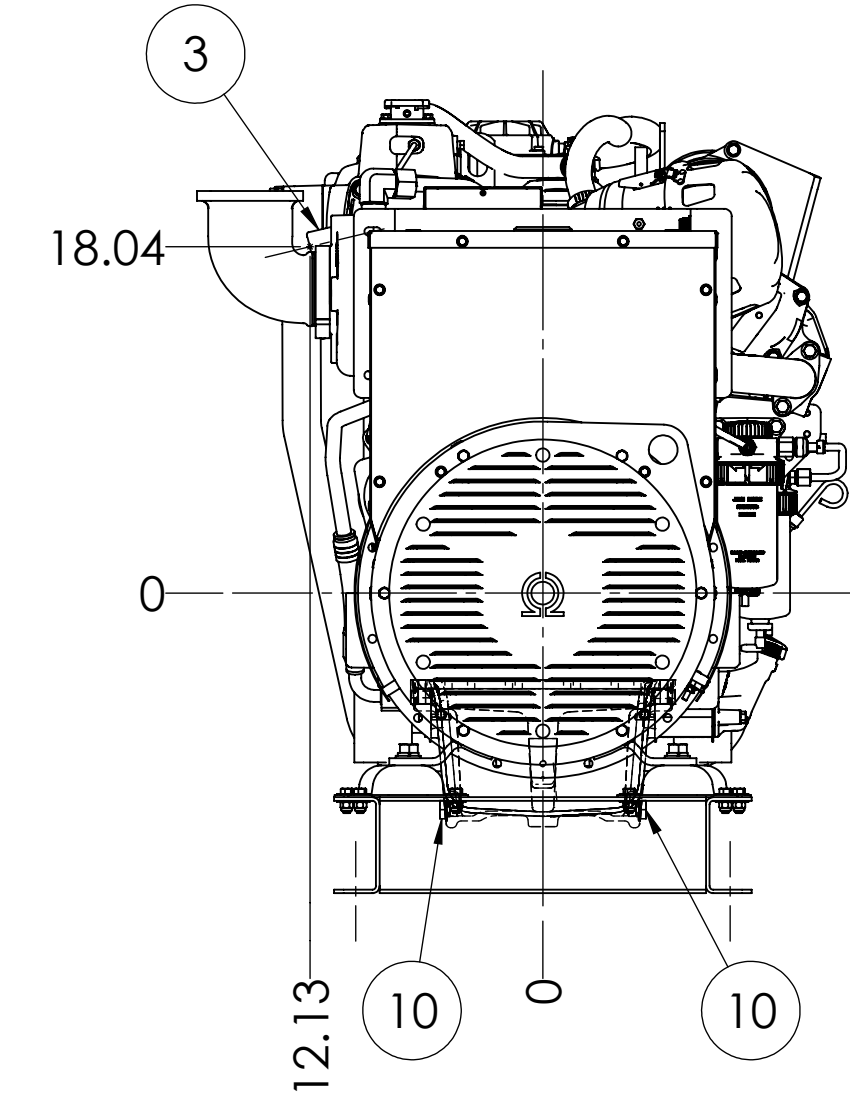
SERVICE SIDE



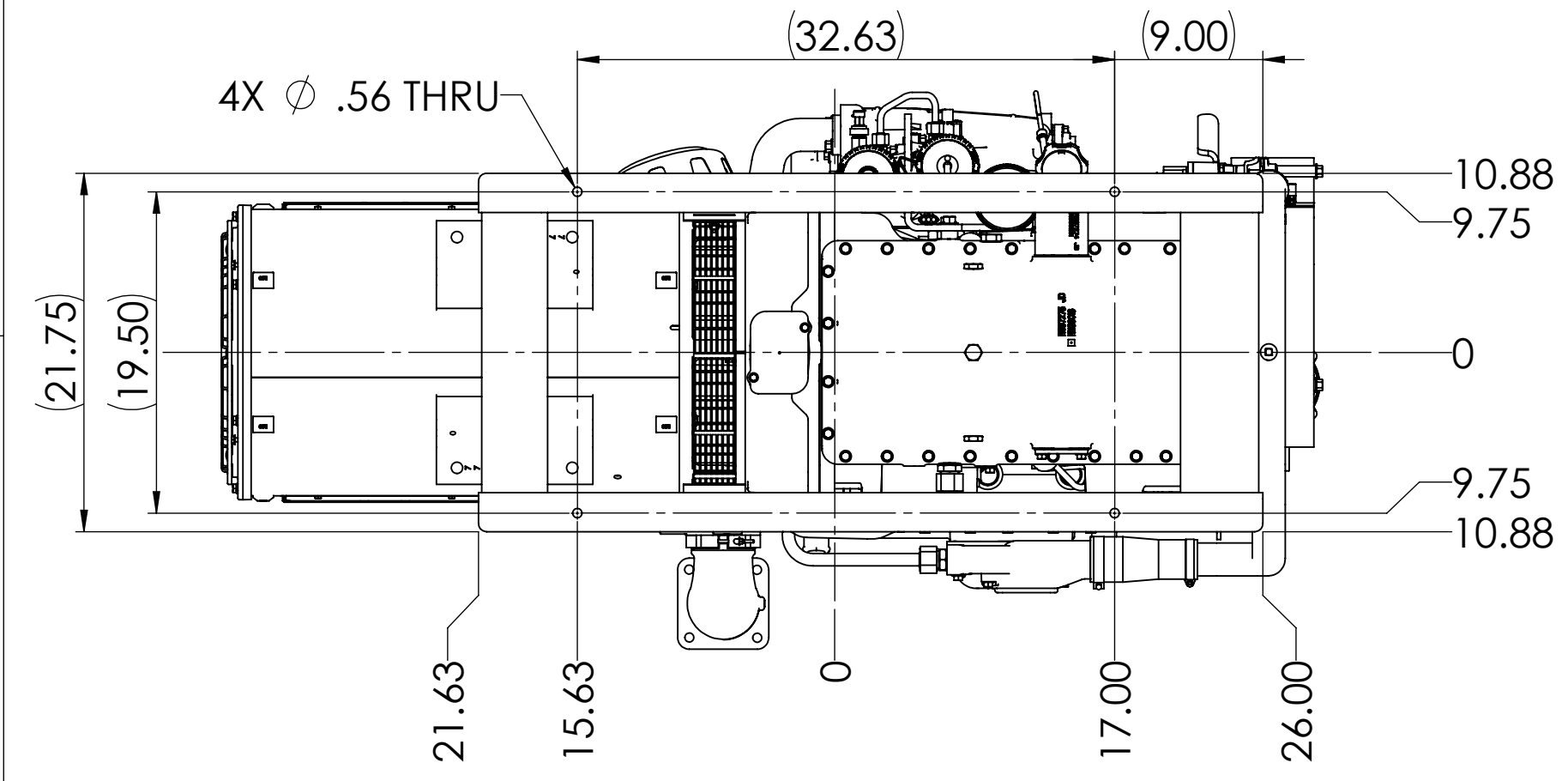
FRONT



NON-SERVICE SIDE



REAR



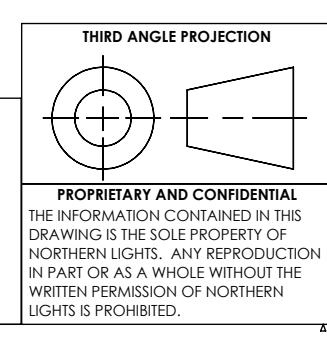
BOTTOM

NOTE: SEE D-4933 FOR INSTALLATION DIMENSIONS OF THE M99C13.21 WITH OPTIONAL PTO.

| REV. | DESCRIPTION  | DATE      | BY | CHECKED |
|------|--|-----------|----|---------|
| B    | MOVED ENGINE TO ECU HARNESS BRACKET TO FRONT OF GENERATOR J-BOX. ECN 7346          | 5/12/2021 | MG | DV      |
| A    | ADDED ENGINE TO ECU HARNESS KIT. CHANGED WEIGHT: NOW 2410 LB WAS 2400 LB. ECN 6804 | 6/12/2020 | MG |         |

|  |  |           |          |                                       |   |
|--|--|-----------|----------|---------------------------------------|---|
| UNLESS OTHERWISE SPECIFIED:                      |  | NAME      | DATE     |                                       | 4420 14th AVE. N.W.<br>Seattle, WA 98107<br>(206) 789-3880<br>www.northern-lights.com |
| DIMENSIONS ARE IN INCHES                         |  | MG        | 03/28/17 |                                       |   |
| TOLERANCES:                                      |  | CHECKED   | TAH      | TITLE: INSTALLATION DIMENSIONS        |   |
| ANGULAR: MACHS 0.5° BEND ± 1.0°                  |  | ENG APPR. |          | M99C13.21                             |   |
| X ± 0.1  |  | MFG APPR. |          | SIZE: PART NO. DWG. NO. REV           |   |
| XX ± 0.03  |  | G.A.      |          | D-4928 B                              |   |
| XXX ± 0.005                                      |  | COMMENTS: |          | SCALE: 1:10 WEIGHT: LBS. SHEET 1 OF 1 |   |
| INTERPRET GEOMETRIC TOLERANCING PER: ASME Y14.5M |  |           |          |                                       |   |
| MATERIAL:  |  |           |          |                                       |   |
| FINISH:  |  |           |          |                                       |   |
| DO NOT SCALE                                     |  |           |          |                                       |   |

THE DIMENSIONS ON THIS DRAWING ARE SUBJECT TO CHANGE. PLEASE CONTACT NLI TO BE SURE YOU HAVE THE MOST CURRENT REVISION.



PROPRIETARY AND CONFIDENTIAL THE INFORMATION CONTAINED IN THIS DRAWING IS THE SOLE PROPERTY OF NORTHERN LIGHTS. ANY REPRODUCTION IN PART OR AS A WHOLE WITHOUT THE WRITTEN PERMISSION OF NORTHERN LIGHTS IS PROHIBITED.