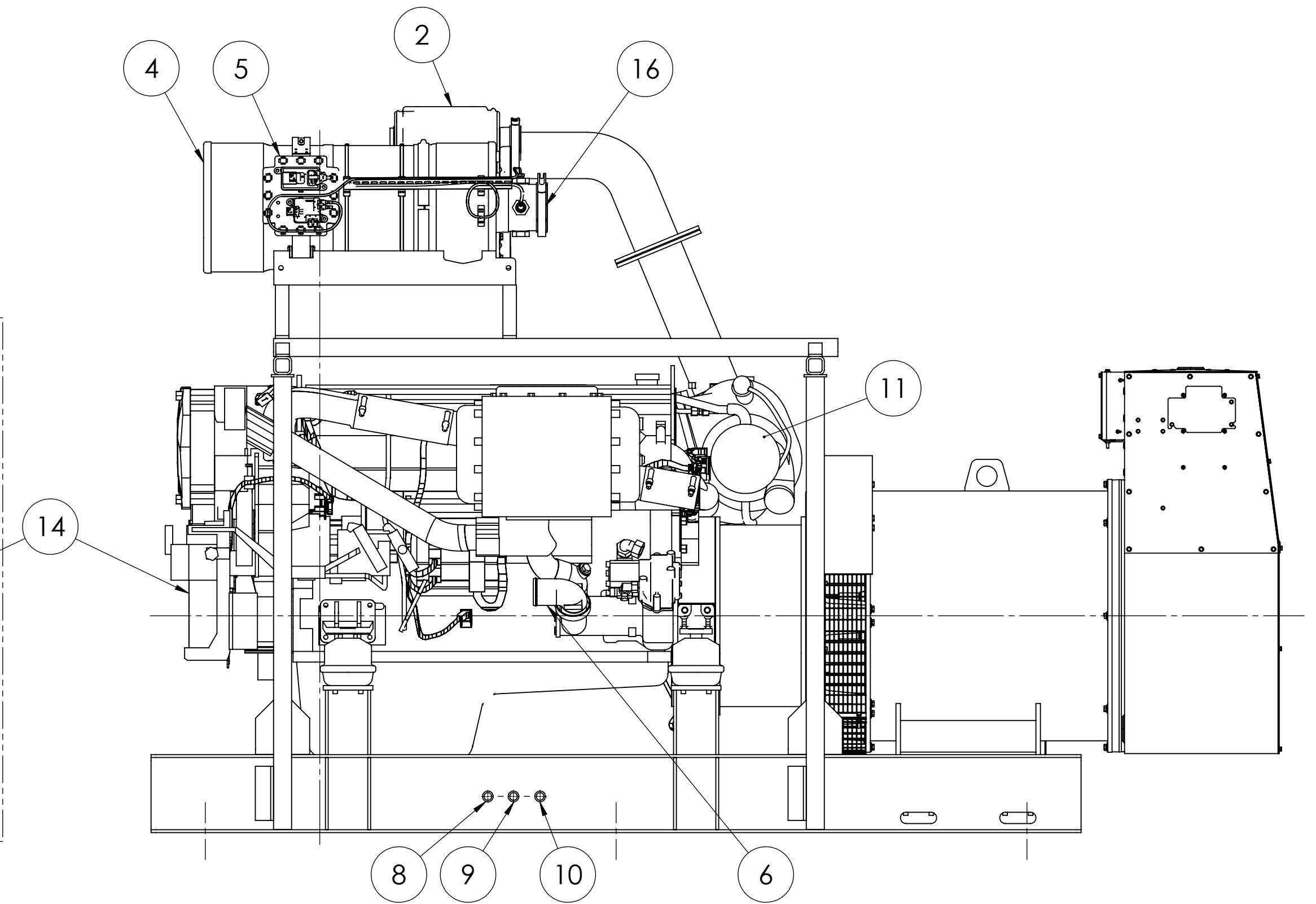
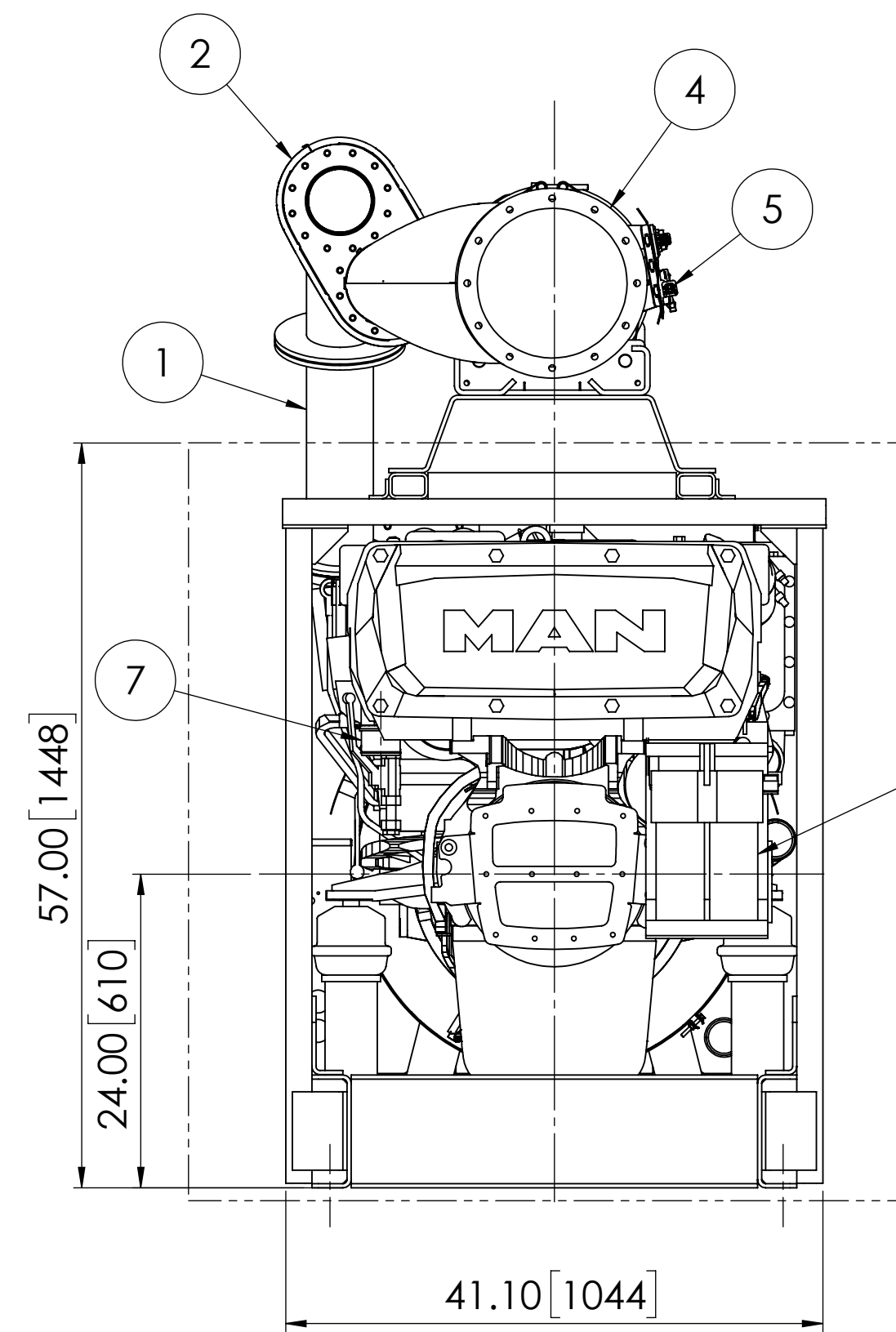
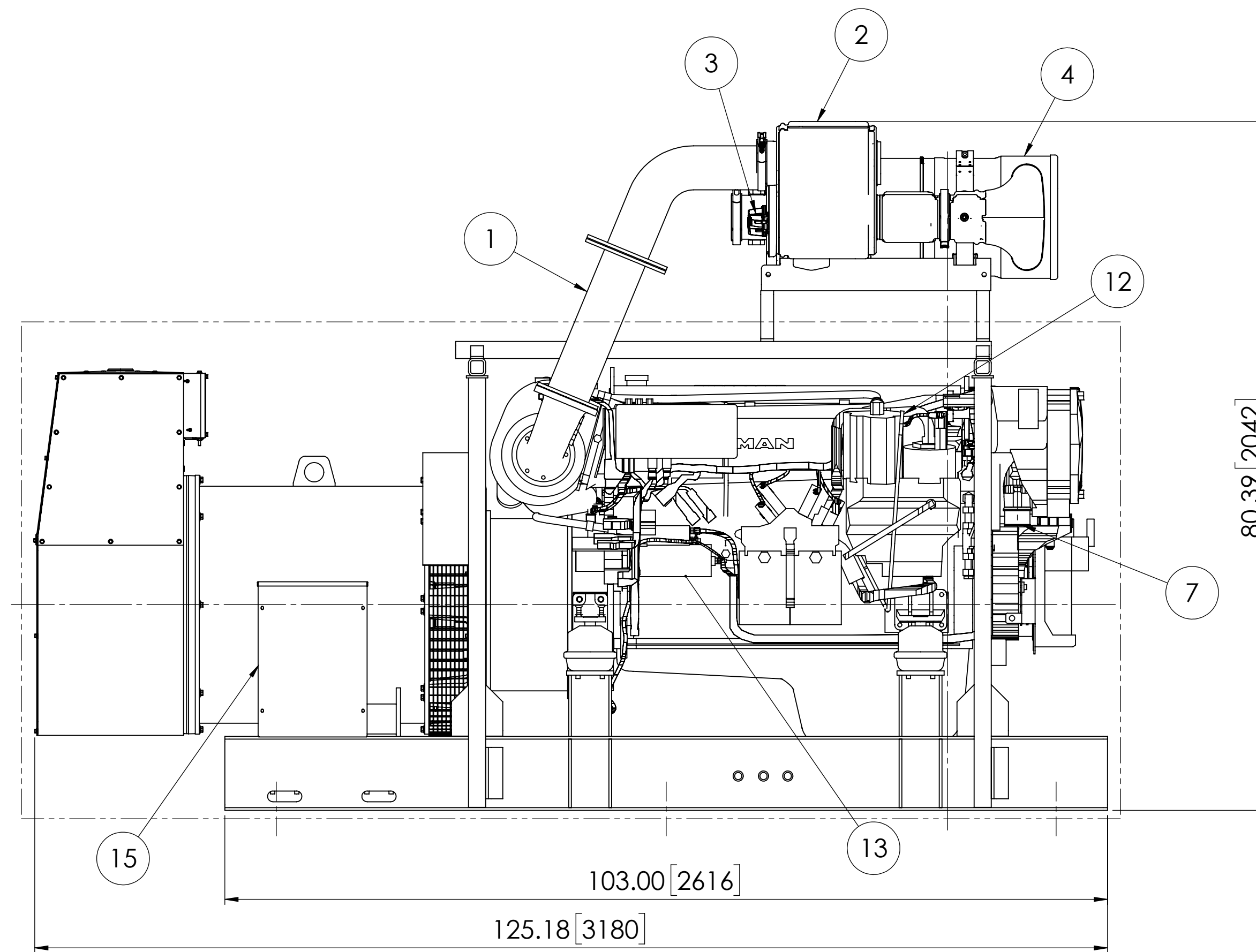


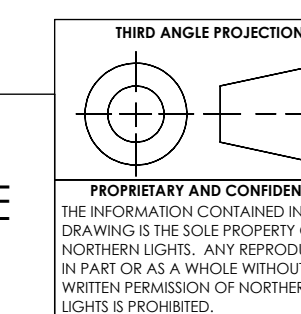
| ITEM | DESCRIPTION |
|------|---|
| 1 | 5" FLEXIBLE EXHAUST CONNECTION |
| 2 | DEF DOSING UNIT |
| 3 | DEF MIXING UNIT |
| 4 | SCR |
| 5 | E-PLATE (CAN MODULES) |
| 6 | SEA WATER INLET - ϕ 2.95" |
| 7 | SEA WATER OUTLET - ϕ 2.95" |
| 8 | FUEL SUPPLY - 1/2"NPT |
| 9 | FUEL RETURN - 1/2"NPT |
| 10 | OIL DRAIN - 1/2"NPT |
| 11 | AIR FILTER |
| 12 | CRANKCASE OIL DIPSTICK |
| 13 | ELECTRIC STARTER |
| 14 | FUEL FILTER |
| 15 | D.C. JUNCTION BOX |
| 16 | EXHAUST OUTLET - ϕ 5" V-BAND CLAMP |



ESTIMATED WEIGHT (DRY): 6440 LBS. [2921 kg]

PRELIMINARY

THE DIMENSIONS ON THIS DRAWING ARE SUBJECT TO CHANGE. PLEASE CONTACT NLI TO BE SURE YOU HAVE THE MOST CURRENT REVISION.



| | | | | | |
|--|-----------|-----------|----------------|---|---|
| UNLESS OTHERWISE SPECIFIED: DIMENSIONS ARE IN INCHES TOLERANCES: ANGULAR: 0.5° BEND ± 1.0° XX ± 0.1 XXX ± 0.03 XXXX ± 0.005 INTERPRET GEOMETRIC TOLERANCING PER ASME Y14.5M | | NAME: MG | DATE: 05/04/20 | | 4420 14th AVE. N.W. Seattle, WA 98107 (206) 789-3880 www.northern-lights.com |
| DRAWN: MG | | CHECKED: | ENG APPR: | | |
| FINISH: DO NOT SCALE | | MATERIAL: | | TITLE: INSTALLATION DIMENSIONS M1266H23 | |
| SIZE: D | PART NO.: | DWG. NO.: | REV: | SCALE: 1:12 WEIGHT: SHEET 1 OF 1 | |