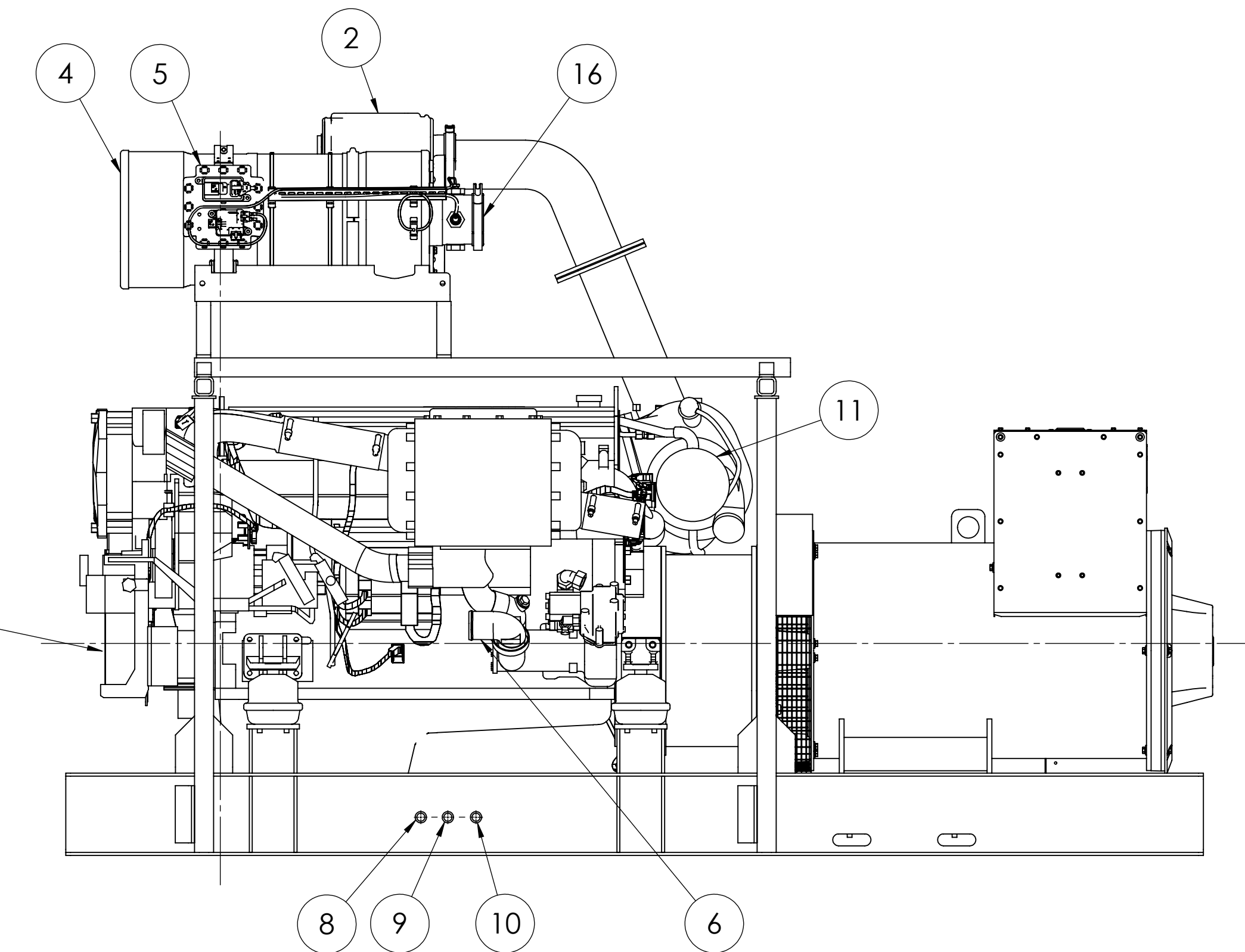
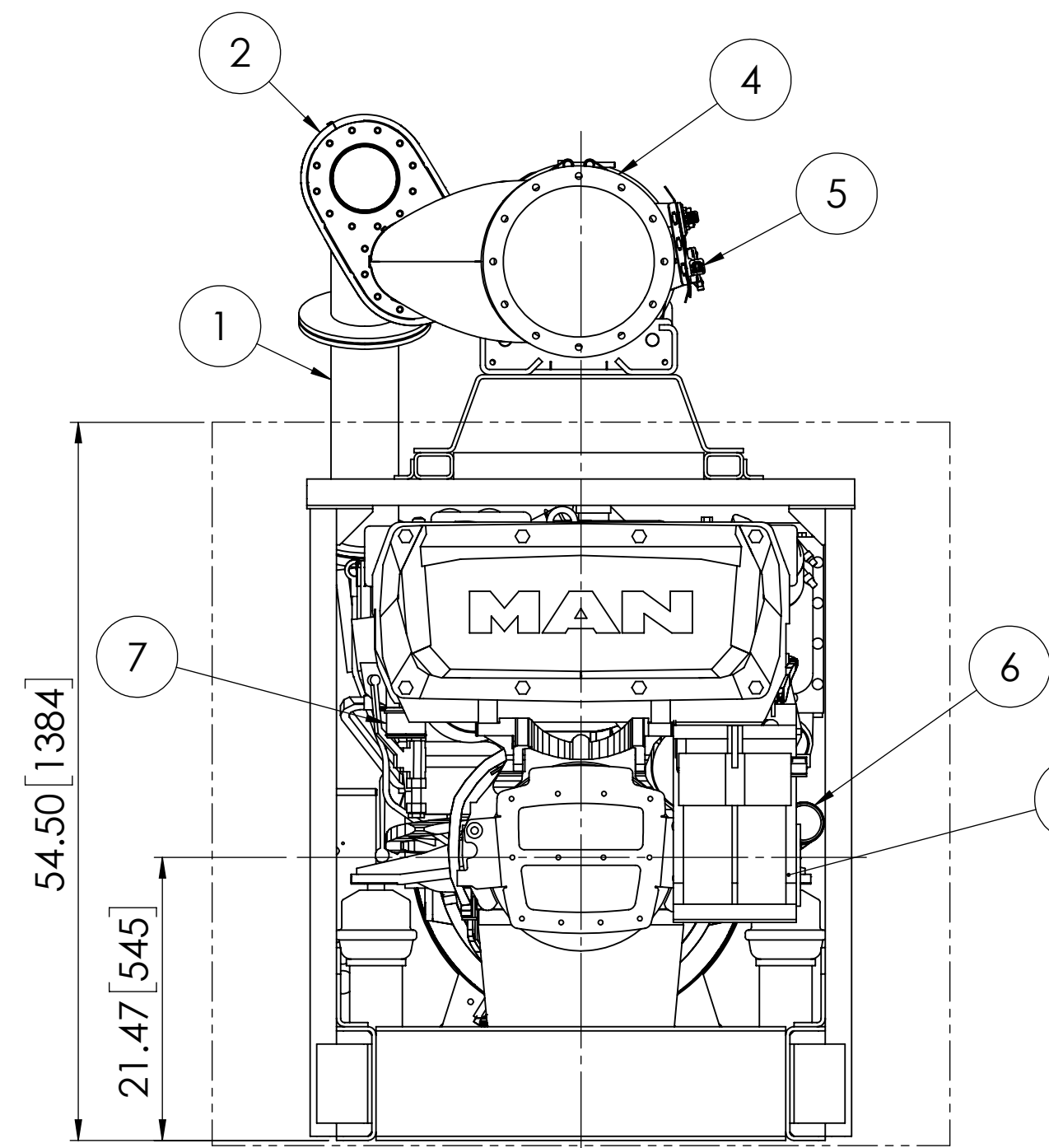
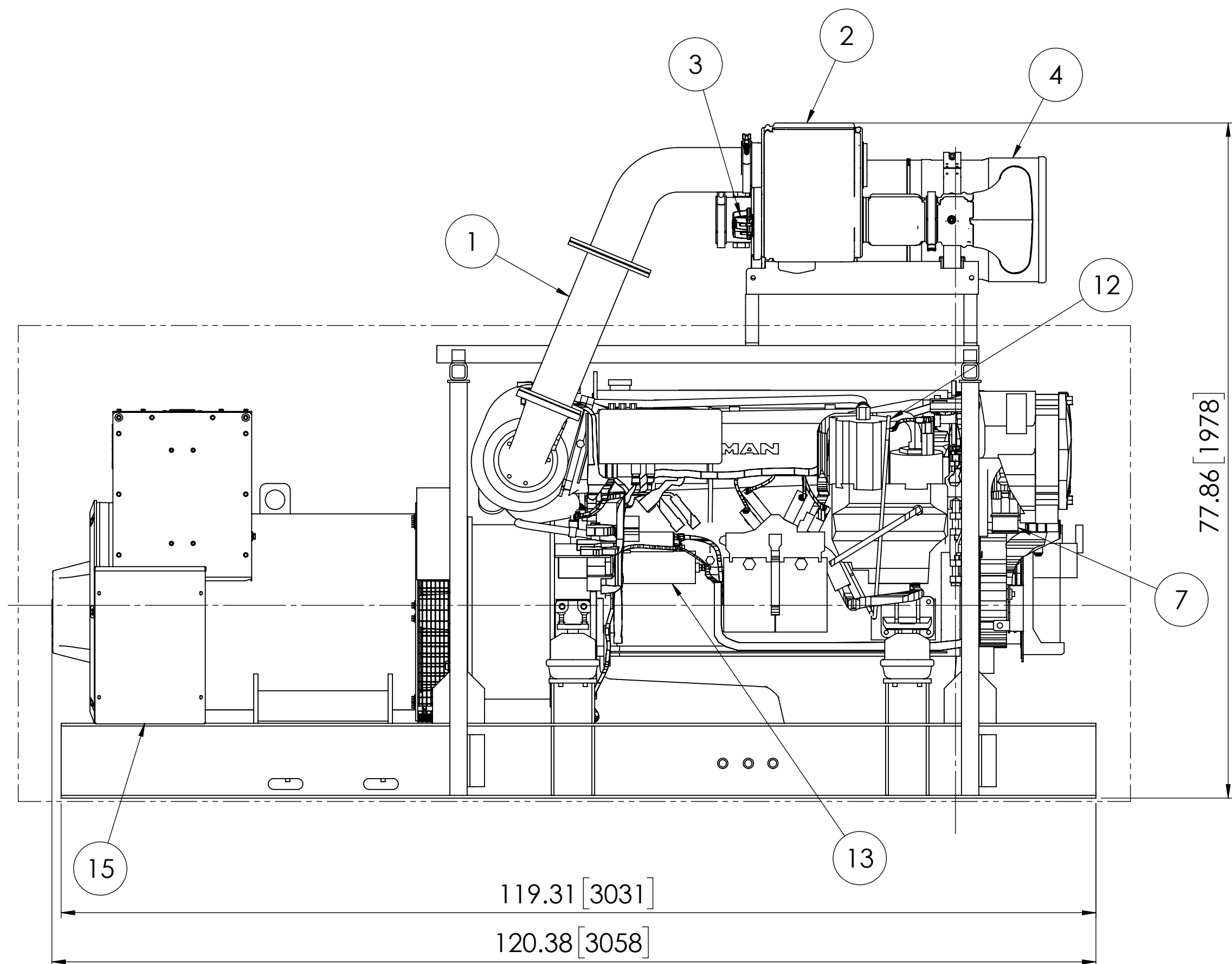


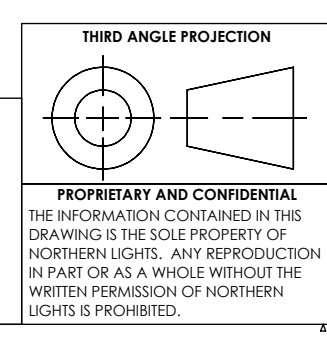
ITEM	DESCRIPTION
1	5" FLEXIBLE EXHAUST CONNECTION
2	DEF DOSING UNIT
3	DEF MIXING UNIT
4	SCR
5	E-PLATE (CAN MODULES)
6	SEA WATER INLET - ϕ 2.95"
7	SEA WATER OUTLET - ϕ 2.95"
8	FUEL SUPPLY - 1/2"NPT
9	FUEL RETURN - 1/2"NPT
10	OIL DRAIN - 1/2"NPT
11	AIR FILTER
12	CRANKCASE OIL DIPSTICK
13	ELECTRIC STARTER
14	FUEL FILTER
15	D.C. JUNCTION BOX
16	EXHAUST OUTLET - ϕ 5" V-BAND CLAMP



ESTIMATED WEIGHT (DRY): 6440 LBS. [2921 kg]

PRELIMINARY

THE DIMENSIONS ON THIS DRAWING ARE SUBJECT TO CHANGE. PLEASE CONTACT NLI TO BE SURE YOU HAVE THE MOST CURRENT REVISION.



UNLESS OTHERWISE SPECIFIED: DIMENSIONS ARE IN INCHES TOLERANCES: ANGULAR: 30° BEND ± 1.0° XXX ± 0.03 XXX ± 0.005 INTERPRET GEOMETRIC TOLERANCING PER ASME Y14.5M MATERIAL: FINISH: DO NOT SCALE		NAME: MG DATE: 10/22/20	<p>4420 14th AVE. N.W. Seattle, WA 98107 (206) 789-3880 www.northern-lights.com</p>
DRAWN: CHECKED: ENG APPR: MEG APPR: G.A. COMMENTS:		<p>TITLE: INSTALLATION DIMENSIONS M1266H13</p> <p>SIZE: D PART NO.: DWG. NO. D-5290 REV</p> <p>SCALE: 1:12 WEIGHT: SHEET 1 OF 1</p>	