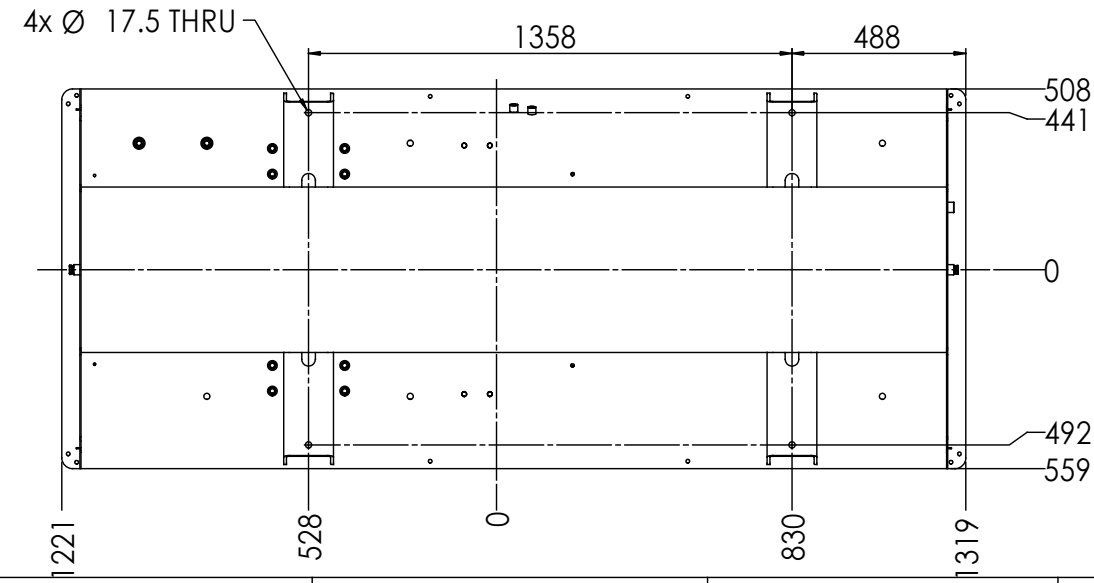
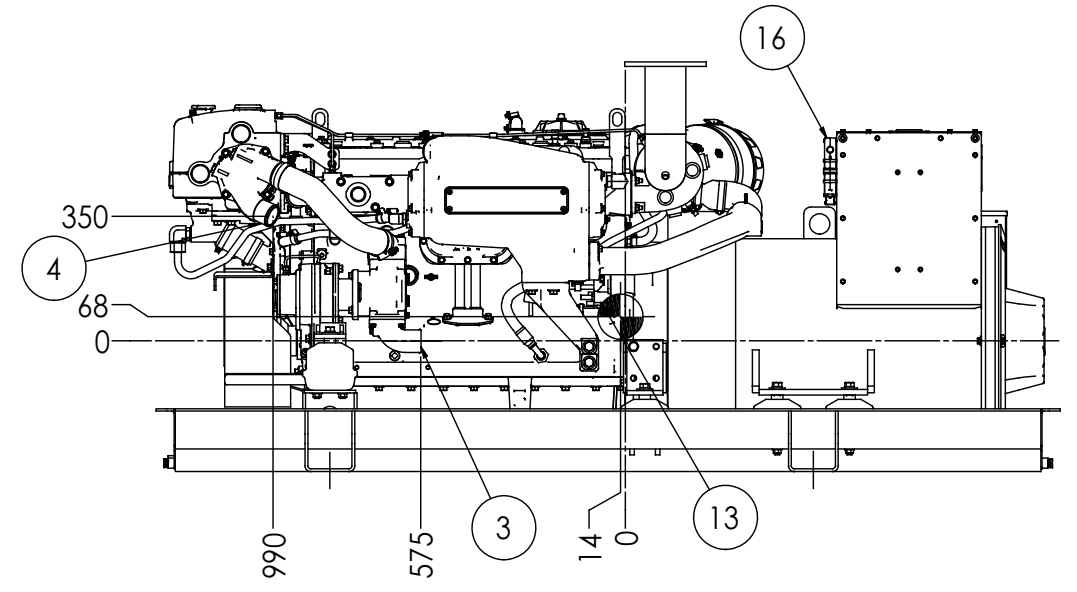
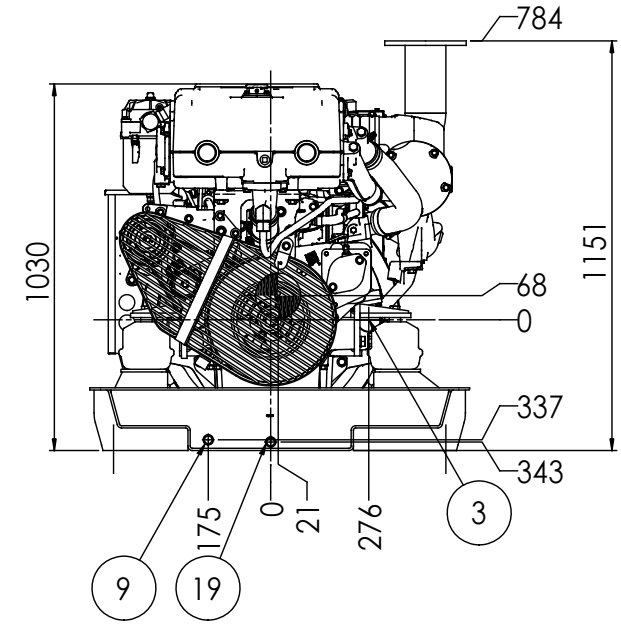
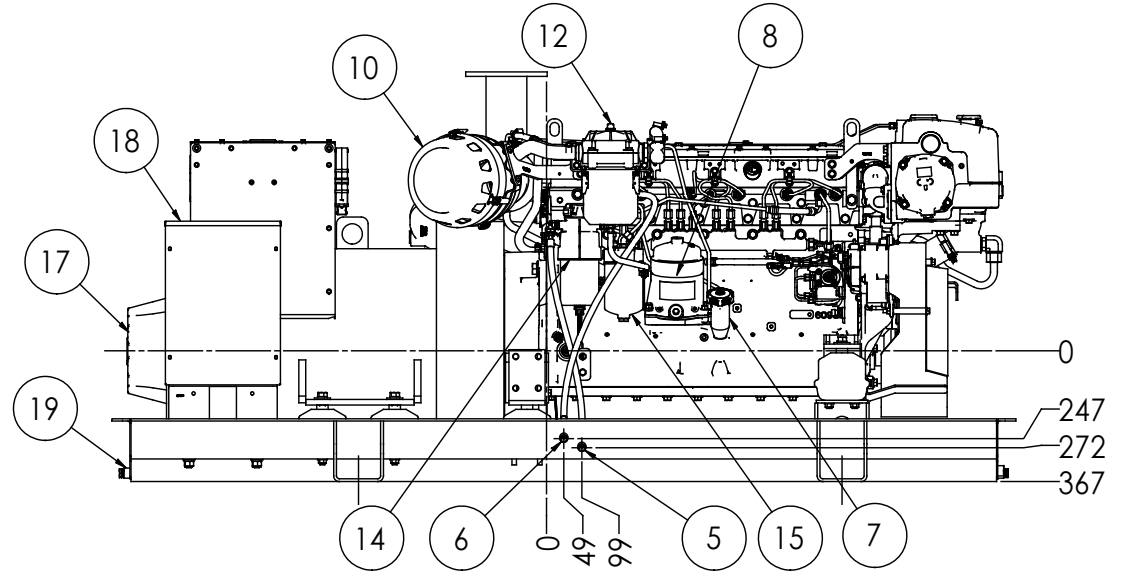


DRY EXHAUST ELBOW
FLANGE DETAIL

ITEM	DESCRIPTION
1	EXPANSION TANK
2	COOLANT FILL
3	SEAWATER INLET Ø 64 HB
4	SEAWATER OUTLET Ø 64 HB
5	FUEL SUPPLY - 3/8 NPT
6	FUEL RETURN - 3/8 NPT
7	CRANKCASE OIL FILL / DIPSTICK
8	CRANKCASE OIL FILTER
9	ENGINE OIL DRAIN - 1/2 NPT
10	AIR INLET FILTER
11	DRY EXHAUST ELBOW - SEE DETAIL
12	CLOSED CRANKCASE VENTILATION SYSTEM
13	ELECTRIC STARTER
14	PRIMARY FUEL FILTER
15	FINAL FUEL FILTER
16	ENGINE CONTROL UNIT
17	PMG
18	D.C. JUNCTION BOX
19	BASE PAN DRAIN - 1/2 NPT



ESTIMATED WEIGHT (W/COOLANT AND OIL): 2131kg [4700 lbs]

THE DIMENSIONS ON THIS DRAWING ARE SUBJECT TO CHANGE. PLEASE CONTACT NLI TO BE SURE YOU HAVE THE MOST CURRENT REVISION.

THIRD ANGLE PROJECTION 	UNLESS OTHERWISE SPECIFIED:	NAME	DATE	NORTHERN LIGHTS 4420 14th AVE. N.W. Seattle, WA 98107 (206) 789-3880 www.northern-lights.com	
	DIMENSIONS ARE IN MILLIMETERS	DRAWN	MG		03/18/19
	TOLERANCES:	CHECKED			
	ANGULAR: MATCHES 0.2°	ENG APPR.			
± 0.15	MG APPR.				
± 0.3	Q.A.				
INTERPRET GEOMETRIC TOLERANCING PER ASME Y14.5M	COMMENTS:				
MATERIAL:					
FRESH					
DO NOT SCALE					

TITLE: INSTALLATION DIMENSIONS M200A13.51L	
SIZE: D	PART NO.:
DWG. NO. D-5161	REV:
SCALE: 1:10	WEIGHT:
SHEET 1 OF 1	

D-5161