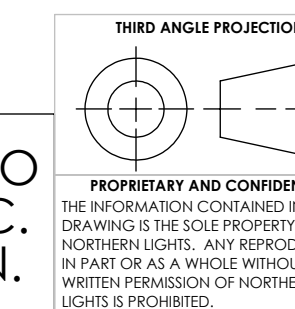
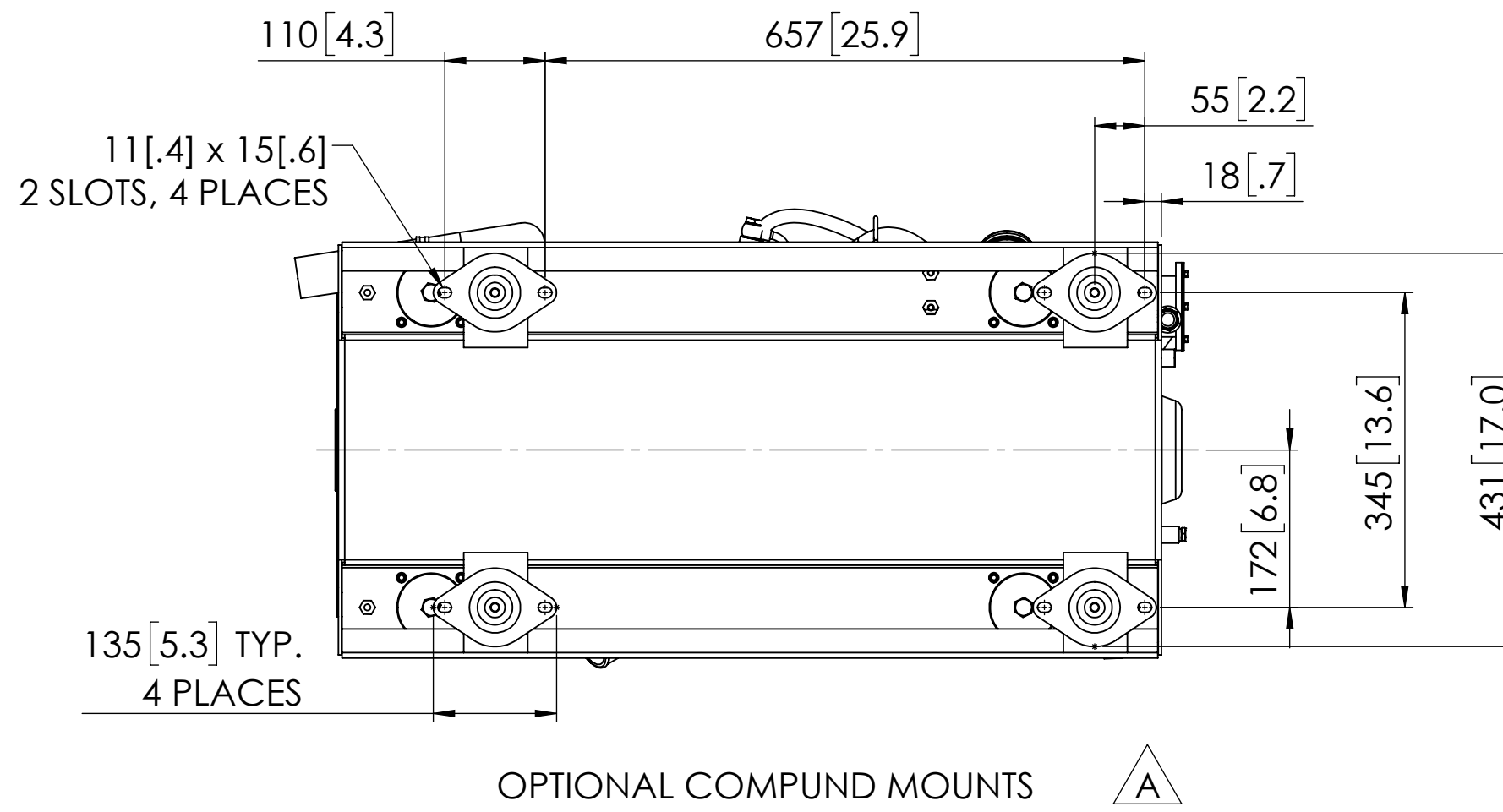
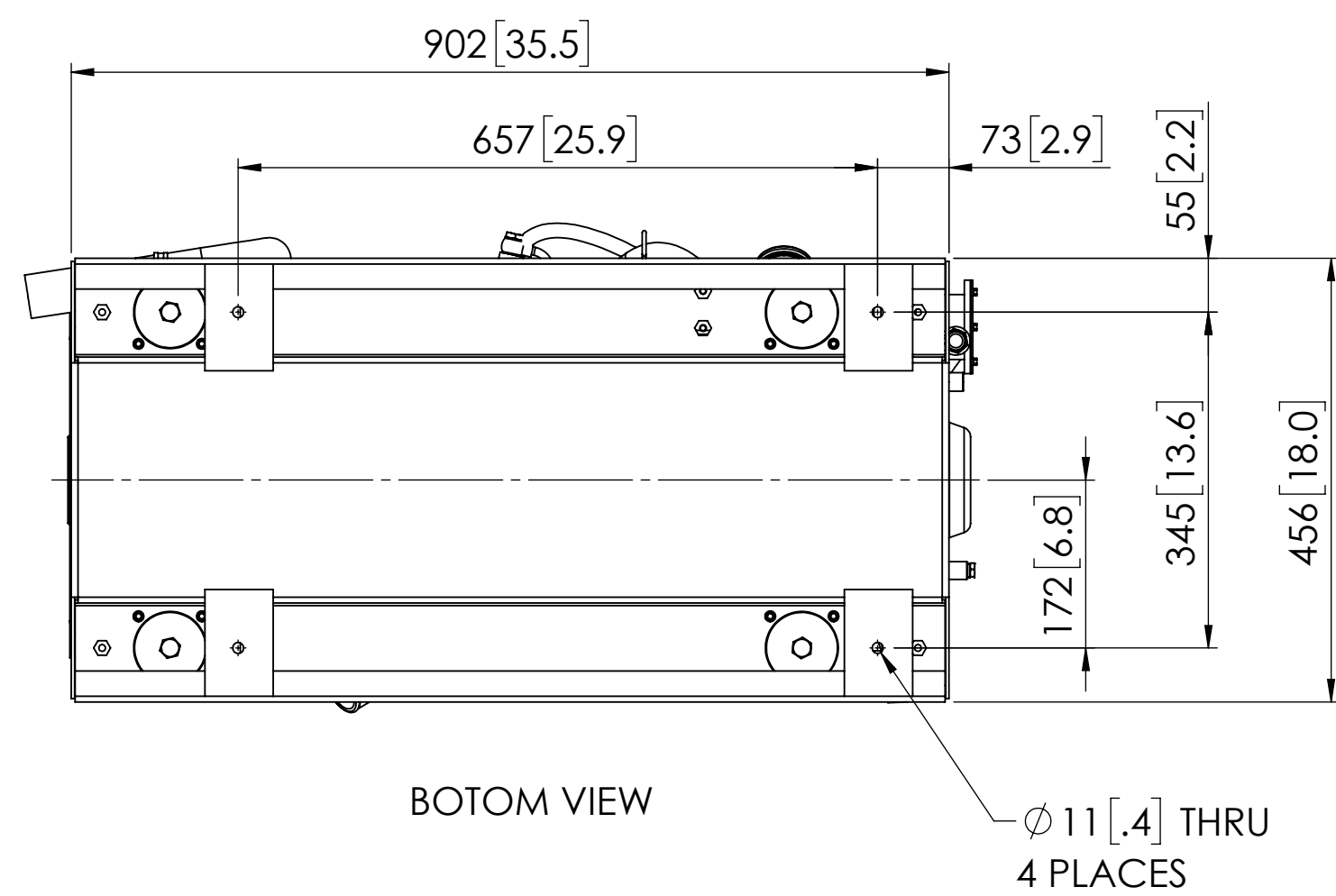
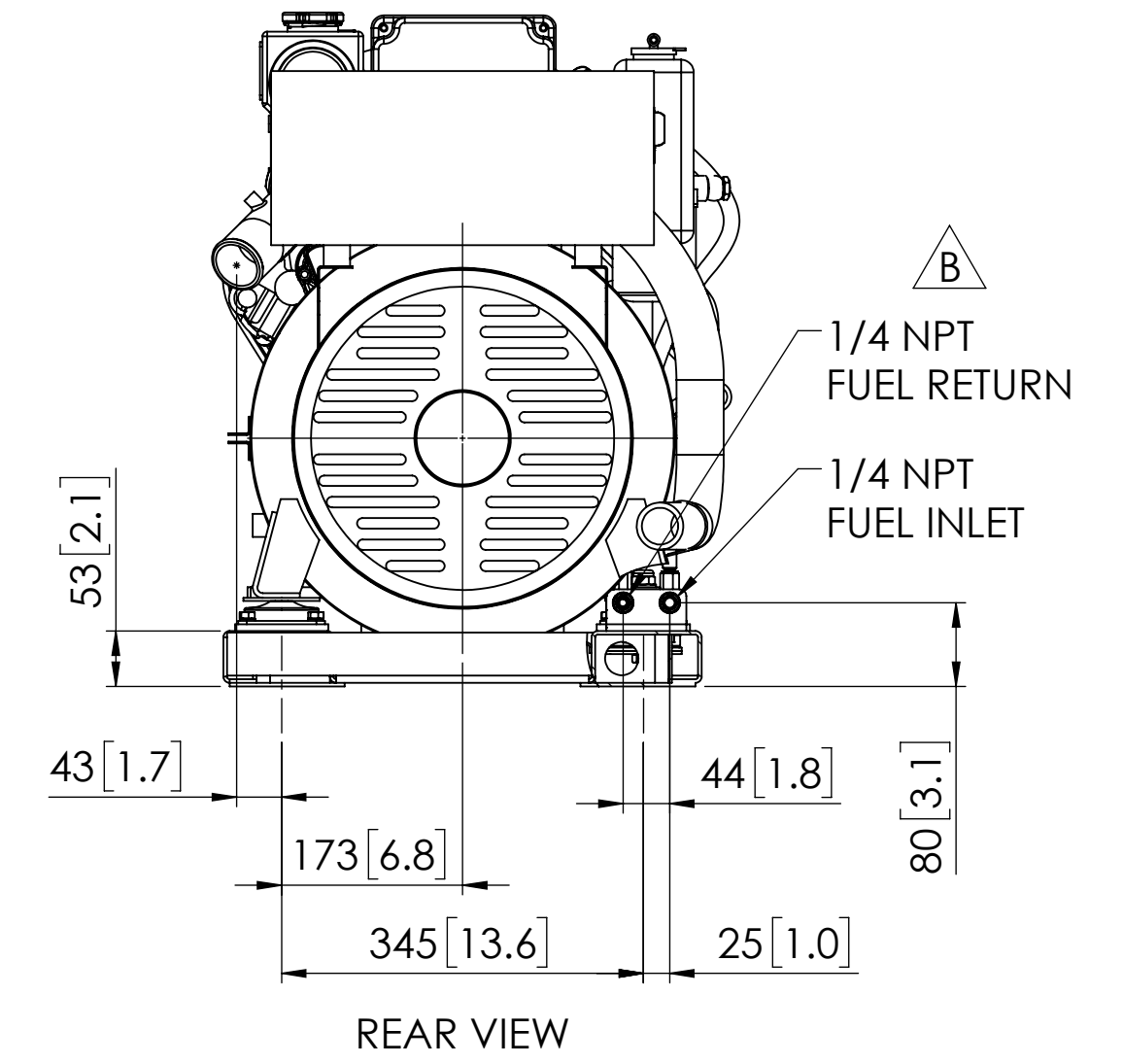
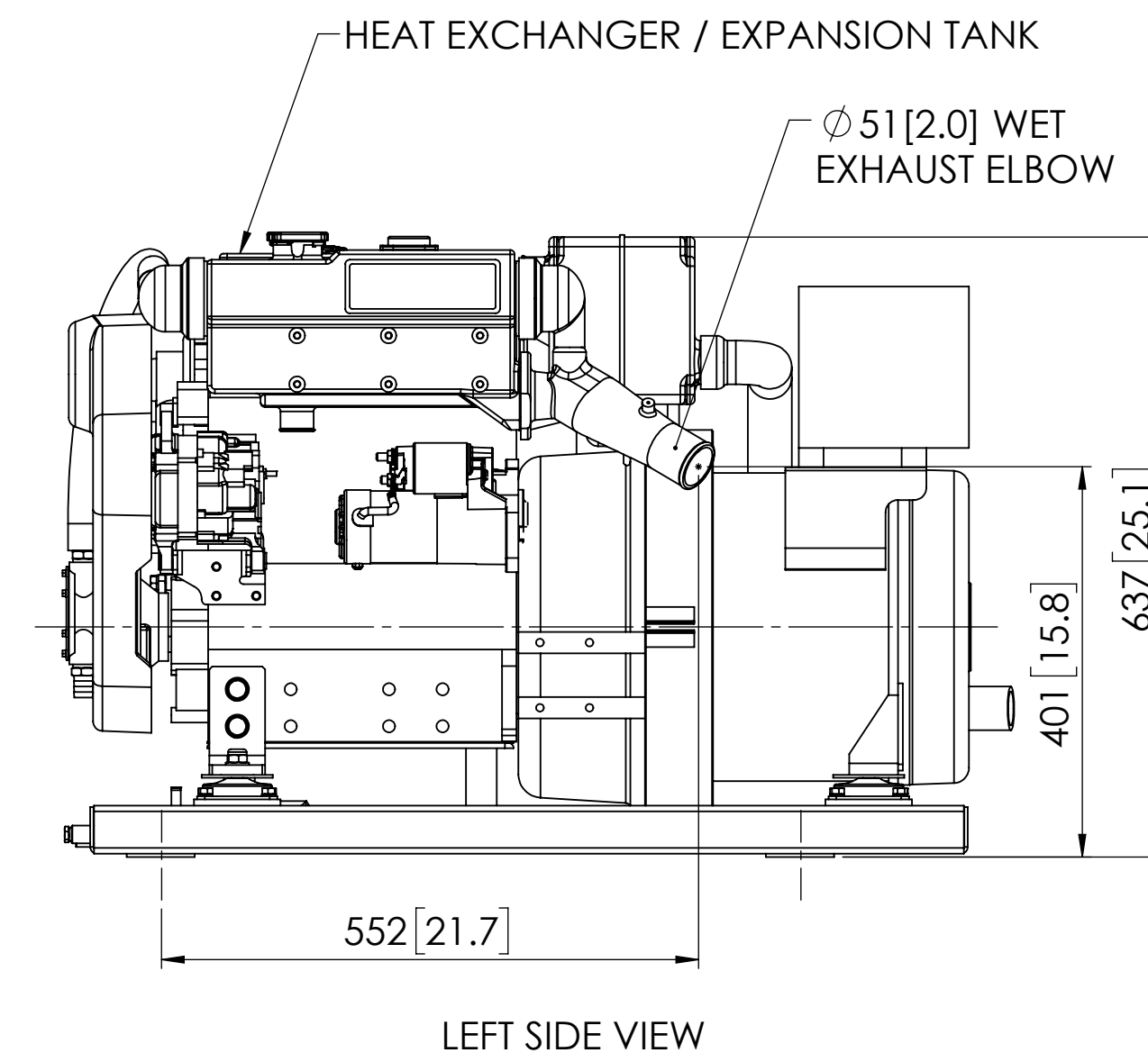
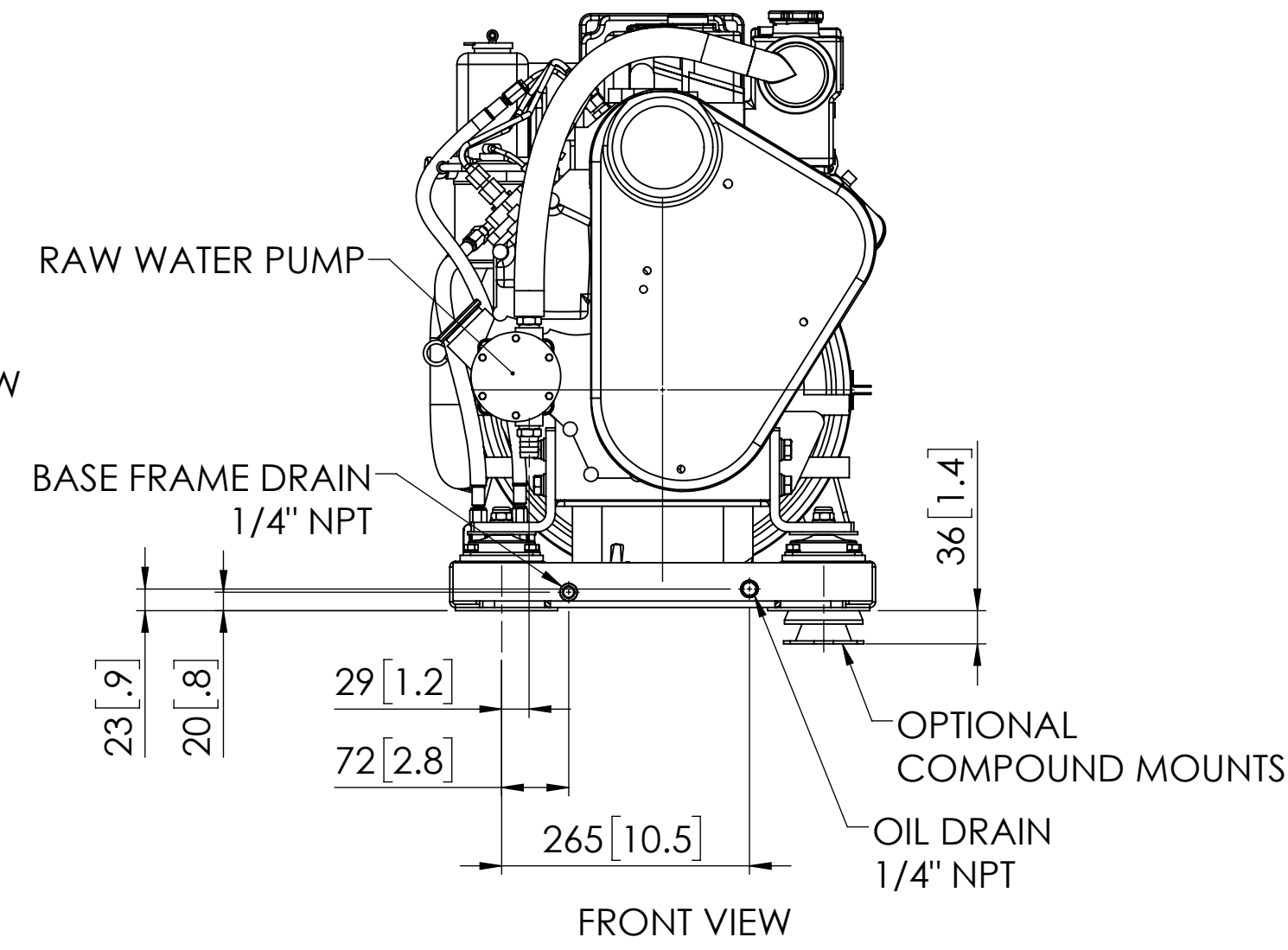
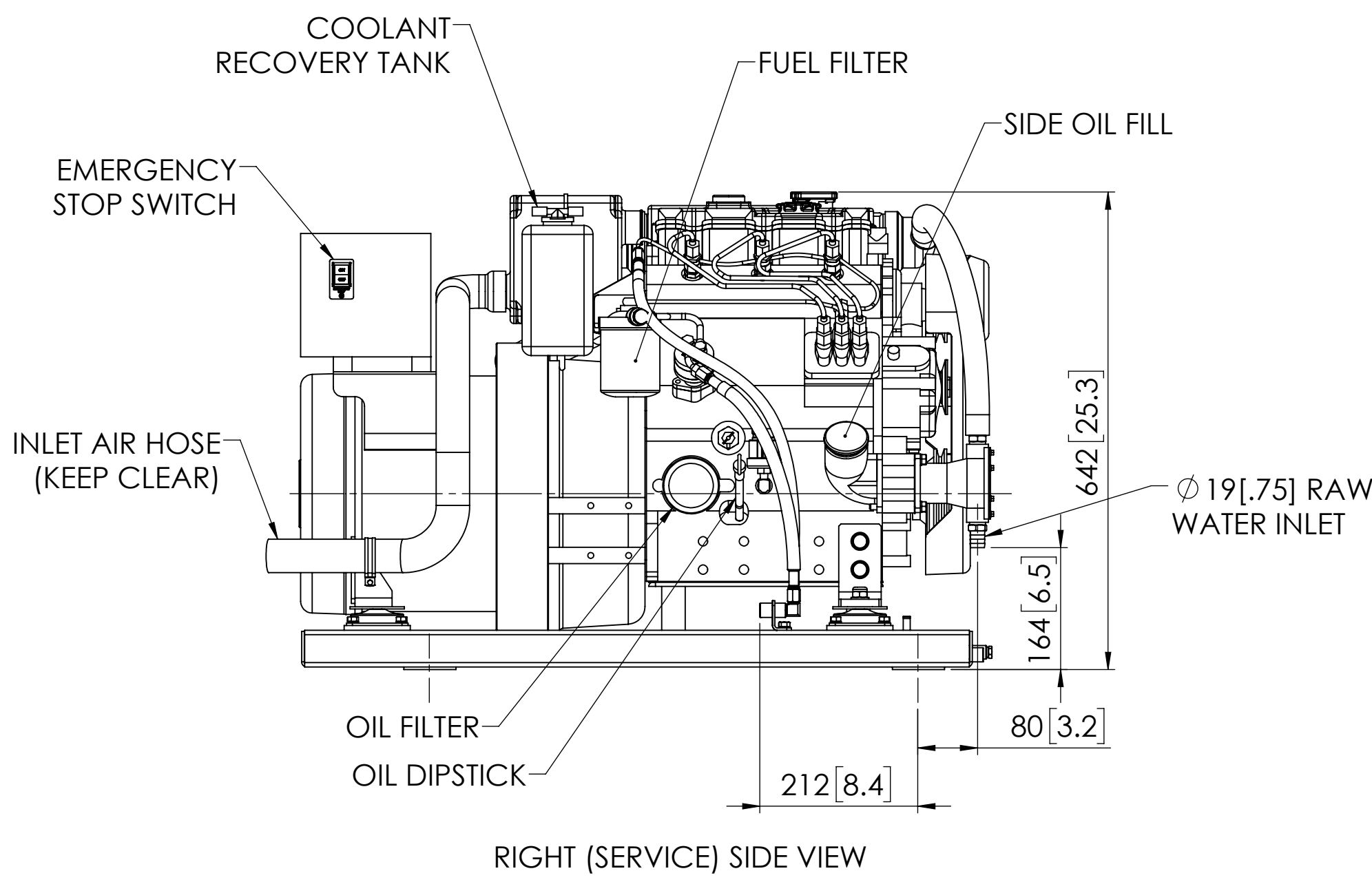
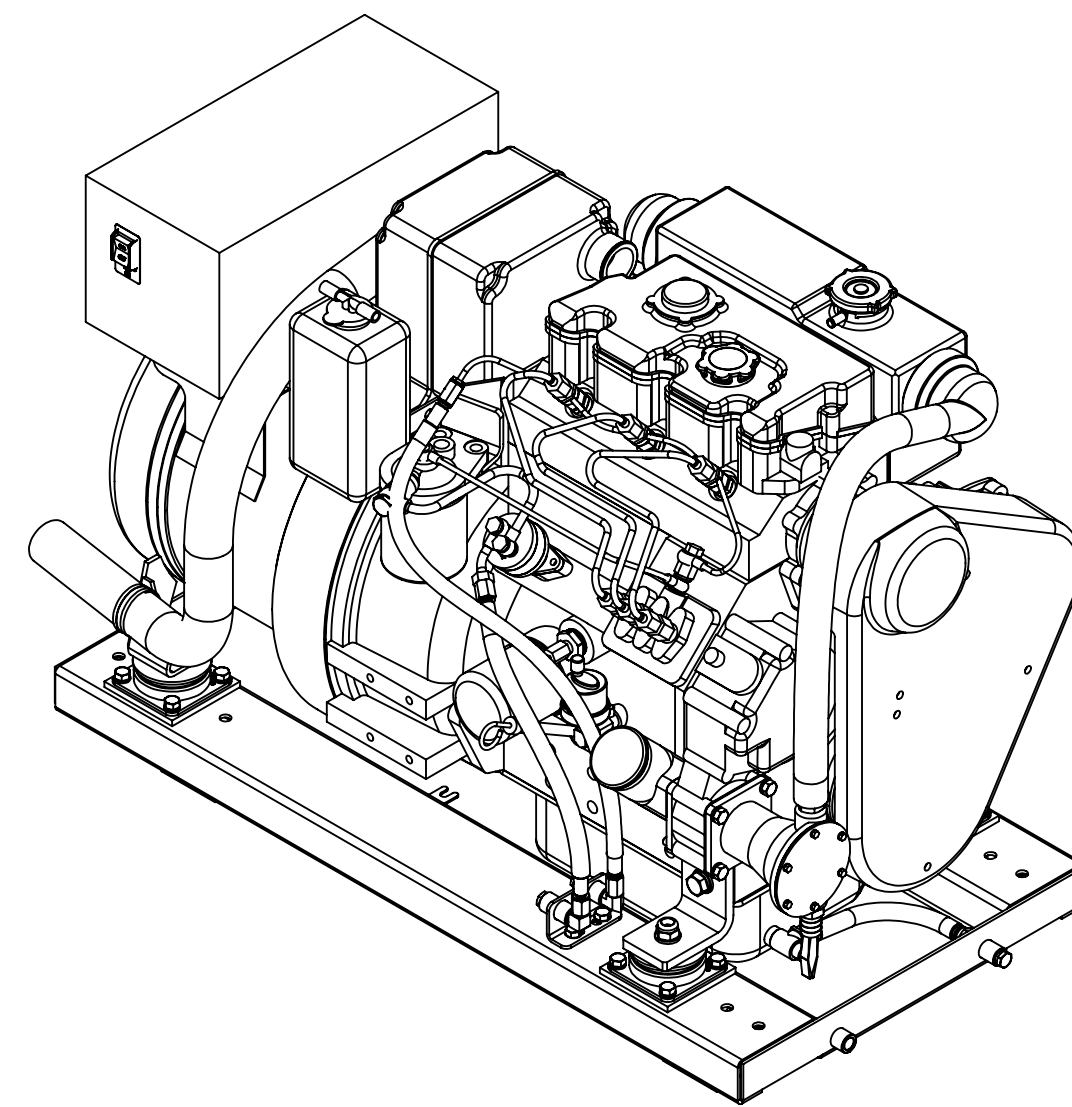
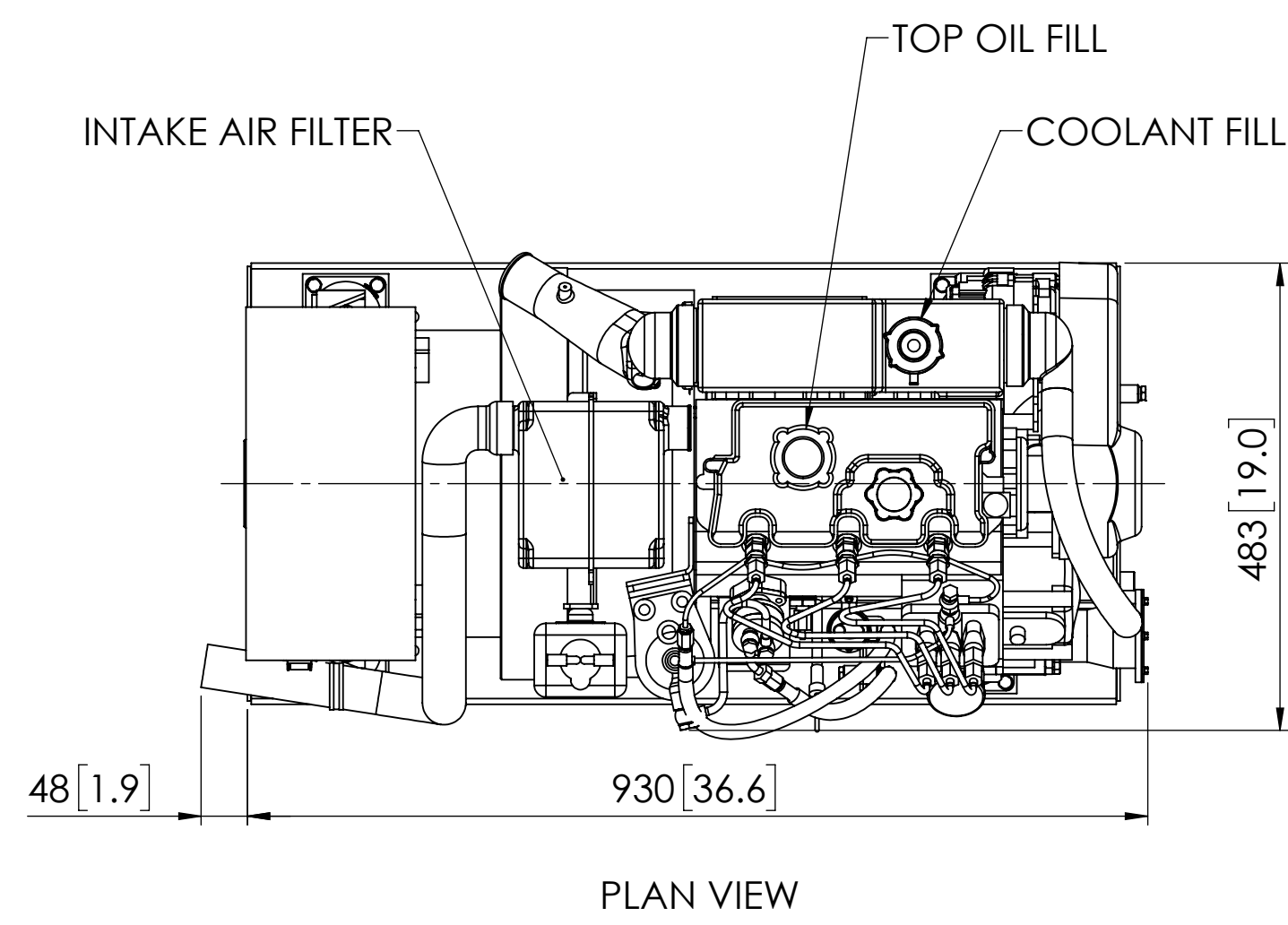


MODEL	RATING	RPM	PHASE	FREQUENCY
M843NW3	12kW	1800	3	60 Hz
M843NW3	12kW	1800	1	60 Hz
M843NW3	10kW	1500	3	50 Hz
M843NW3	10kW	1500	1	50 Hz



THE DIMENSIONS ON THIS DRAWING ARE SUBJECT TO CHANGE. PLEASE CONTACT NORTHERN LIGHTS INC. TO BE SURE YOU HAVE THE MOST CURET REVISION.

UNLESS OTHERWISE SPECIFIED:		NAME	DATE	 4420 14th AVE. N.W. Seattle, WA 98107 (206) 789-3880 www.northern-lights.com
DIMENSIONS ARE IN MILLIMETERS		DRAWN	12/12/17	
TOLERANCES:		CHECKED		
ANGULAR: MACH ± 0.5° BEND ± 1.0°		ENG APPR.		
X ± 0.5		MEG APPR.		<b>TITLE:</b> <b>INSTALLATION DIMENSIONS</b> <b>M843NW3 GEM SERIES</b>
XX ± 0.3		G.A.		
INTERPRET GEOMETRIC TOLERANCING PER: ASME Y14.5M		COMMENTS:		
MATERIAL:				
FINISH:				<b>SIZE</b> PART NO. <b>D</b> <b>SEE TABLE</b> <b>DWG. NO.</b> <b>D-5064</b> <b>REV</b> <b>B</b>
DO NOT SCALE				<b>SCALE:</b> 1:7 <b>WEIGHT:</b> 344 kg [736 lbs] <b>SHEET</b> 1 OF 1

D-5064