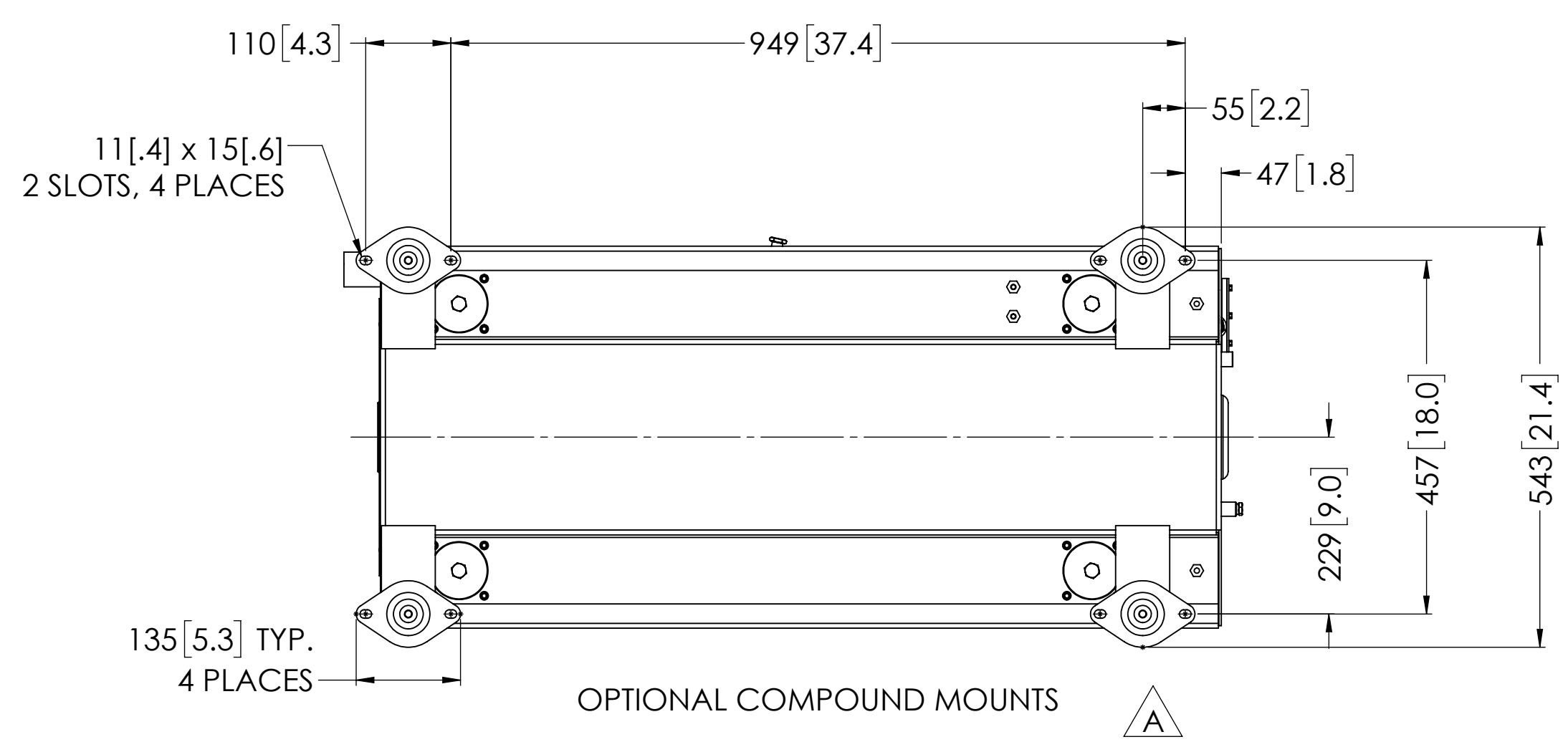
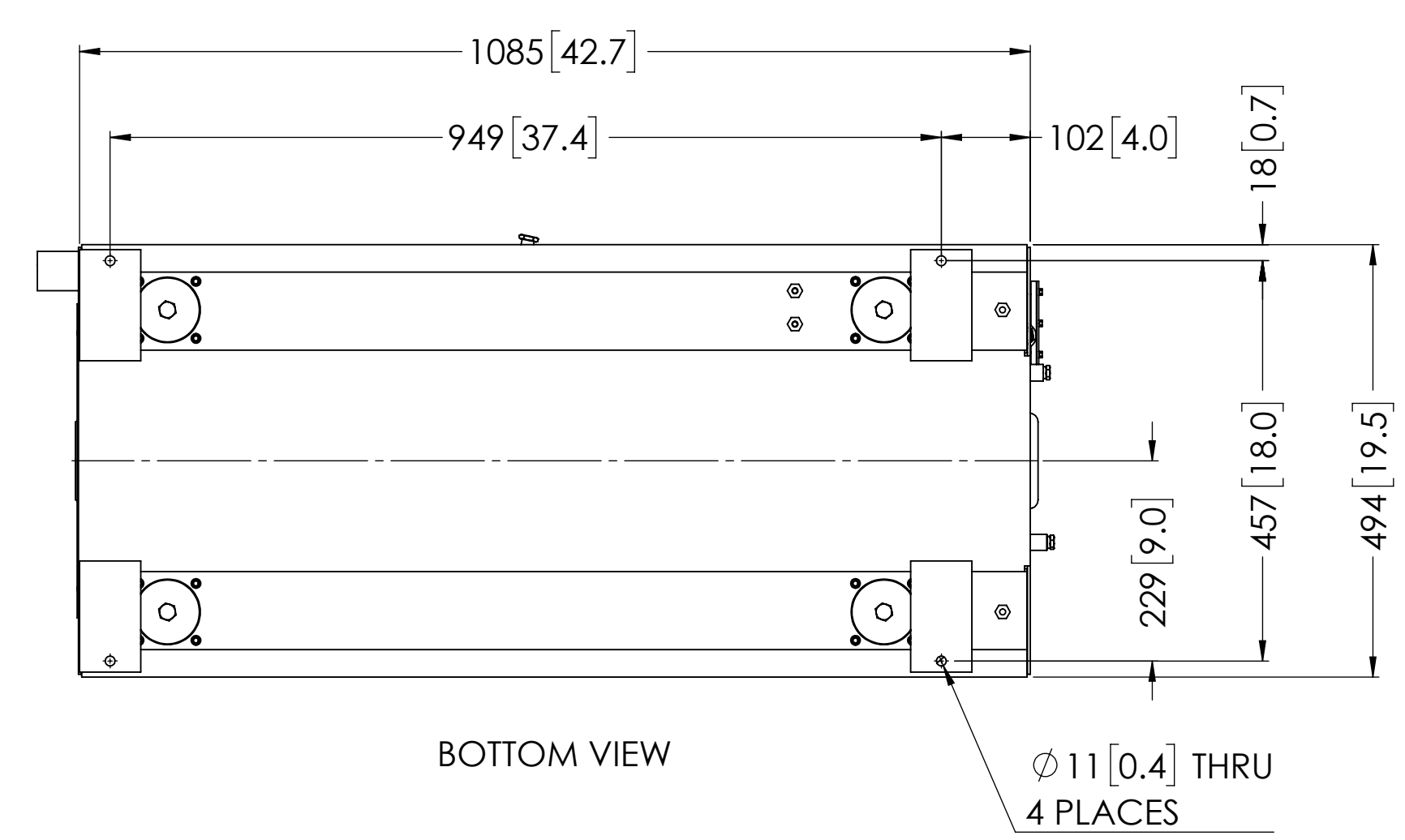
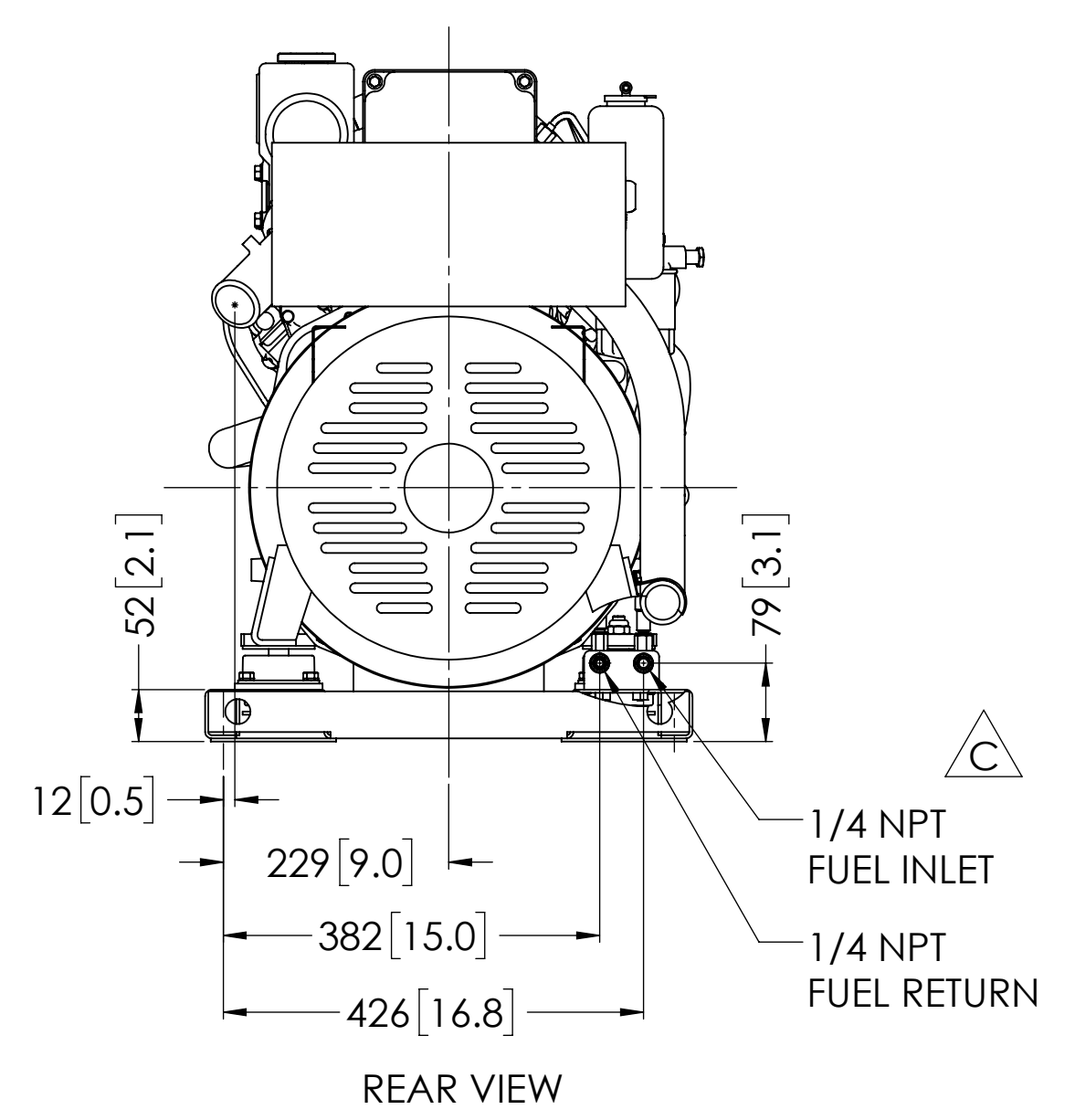
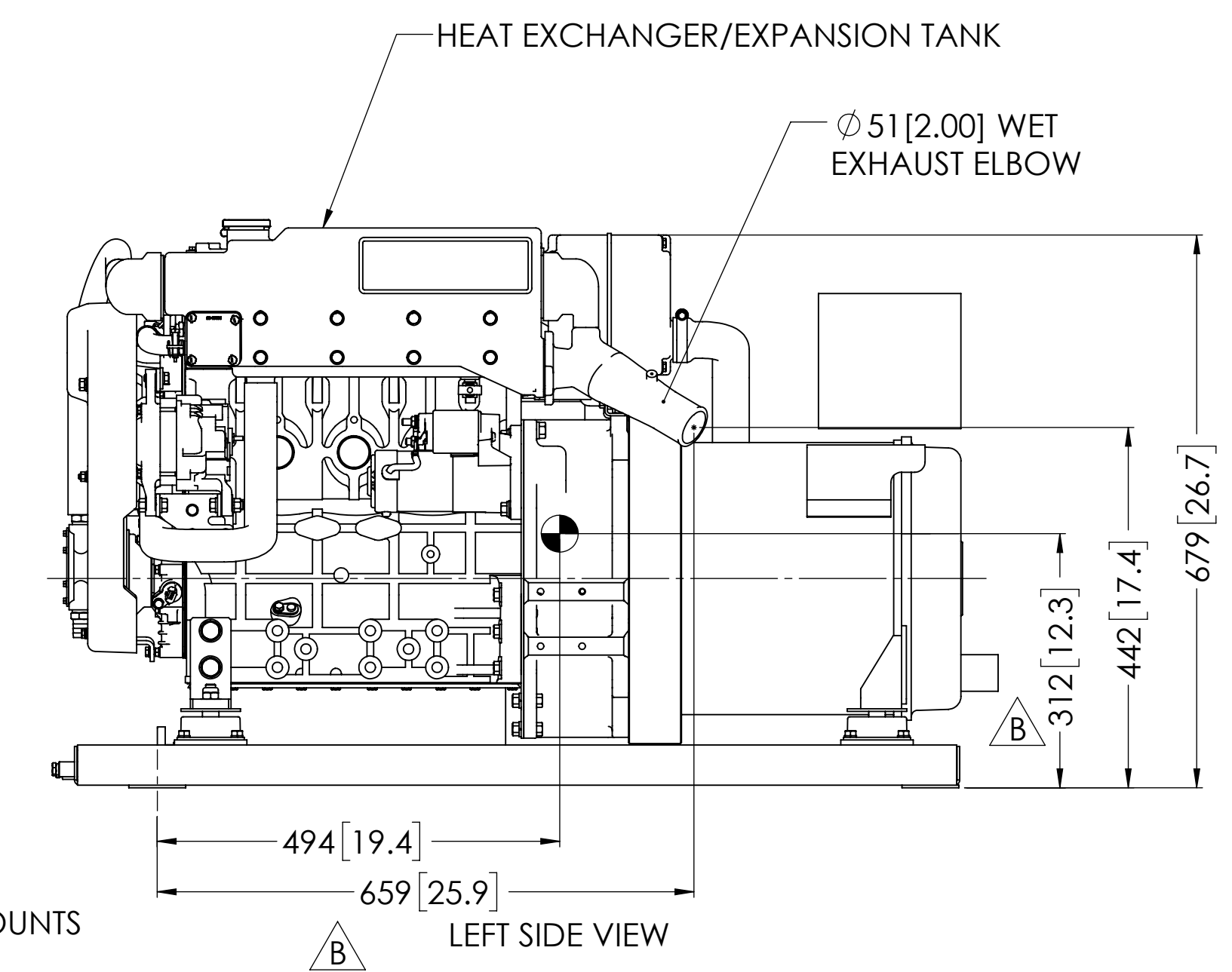
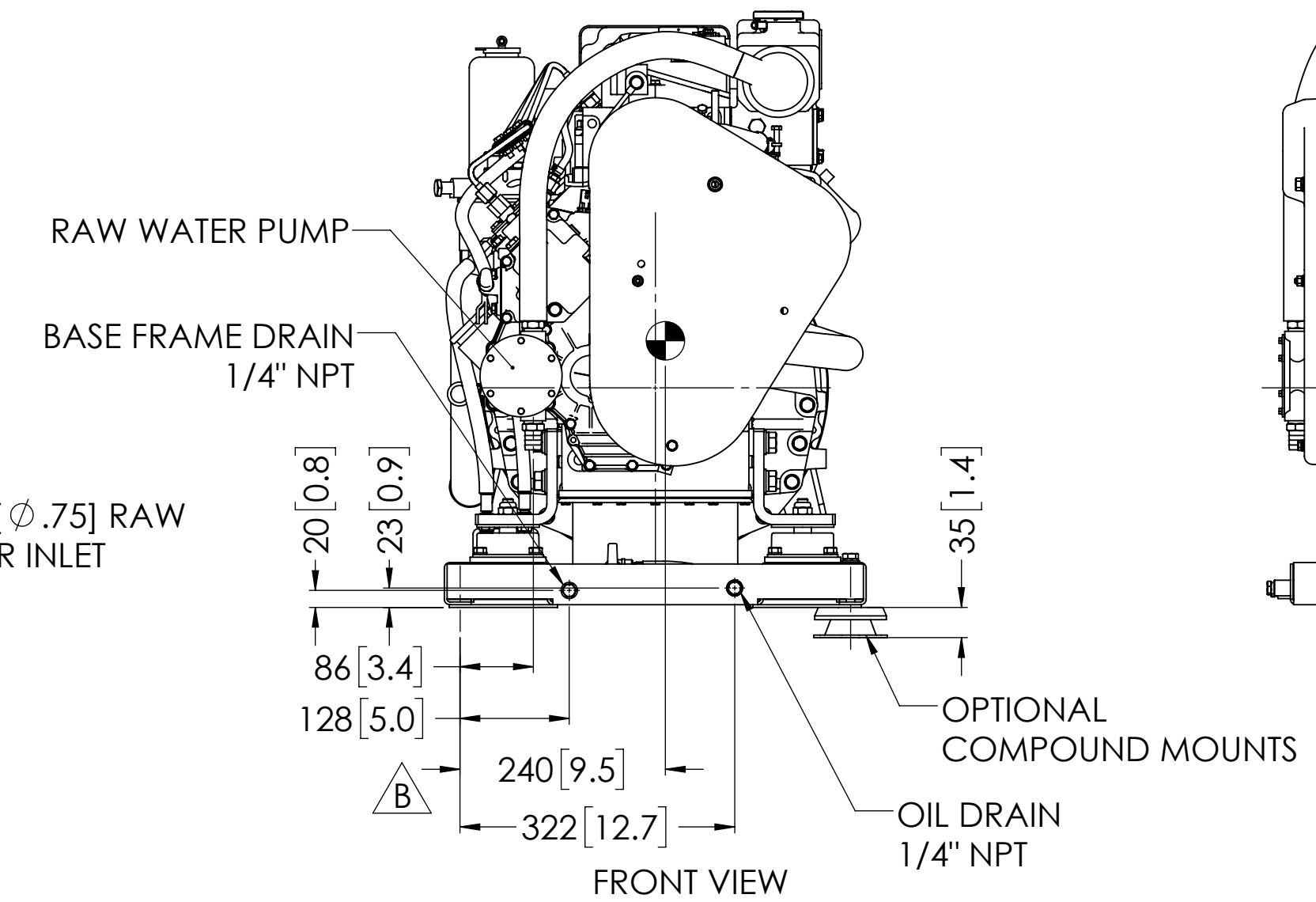
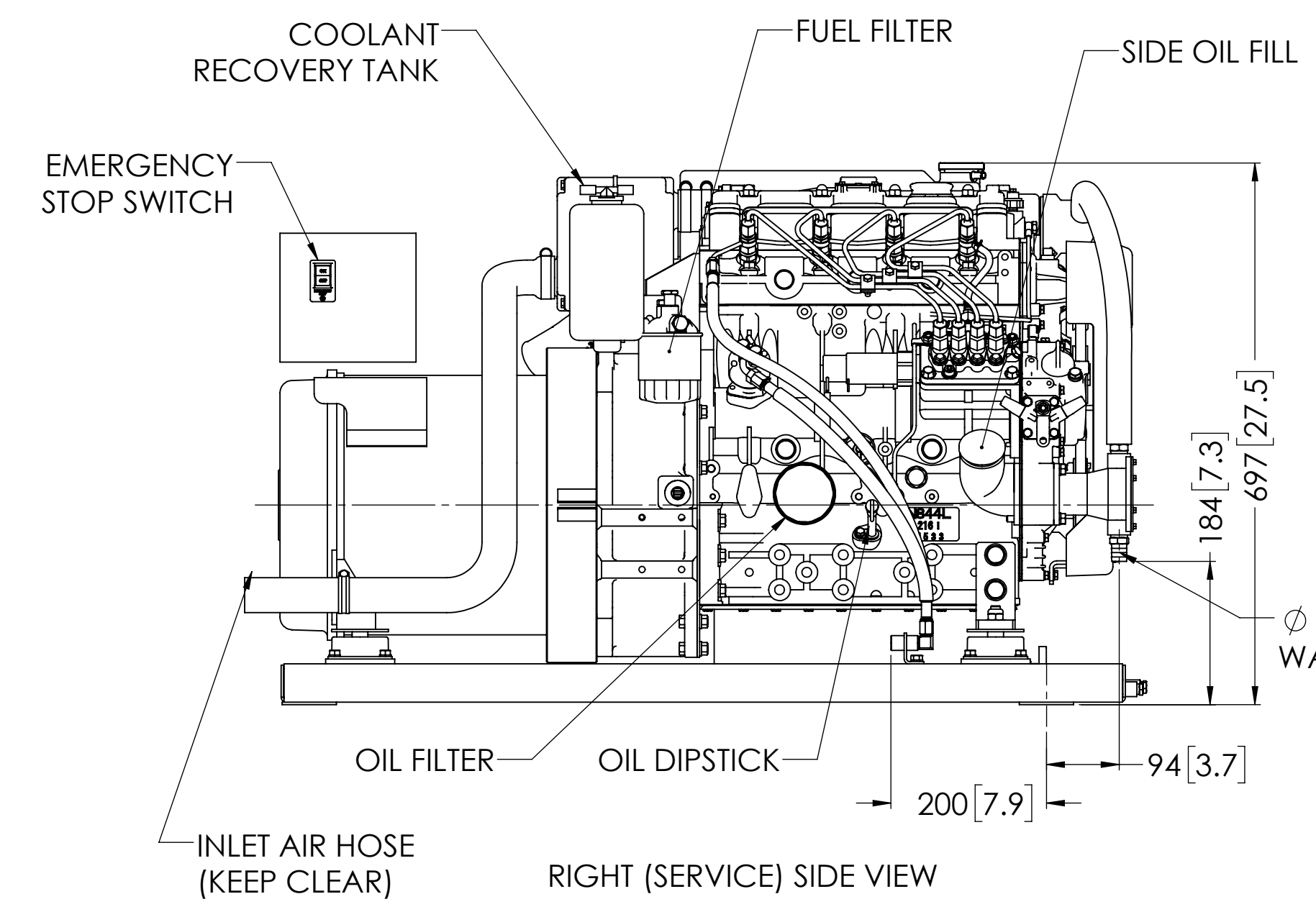
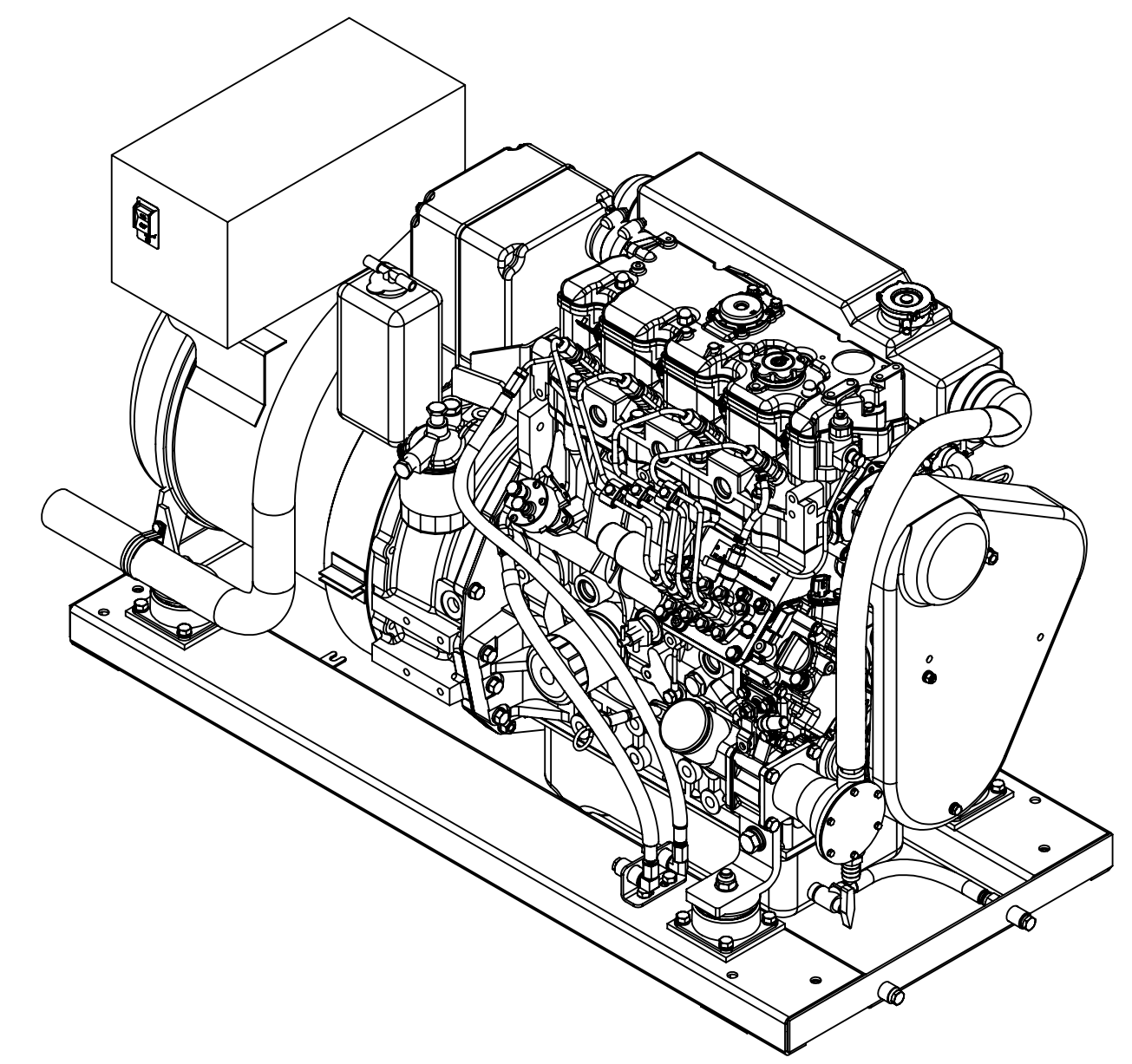
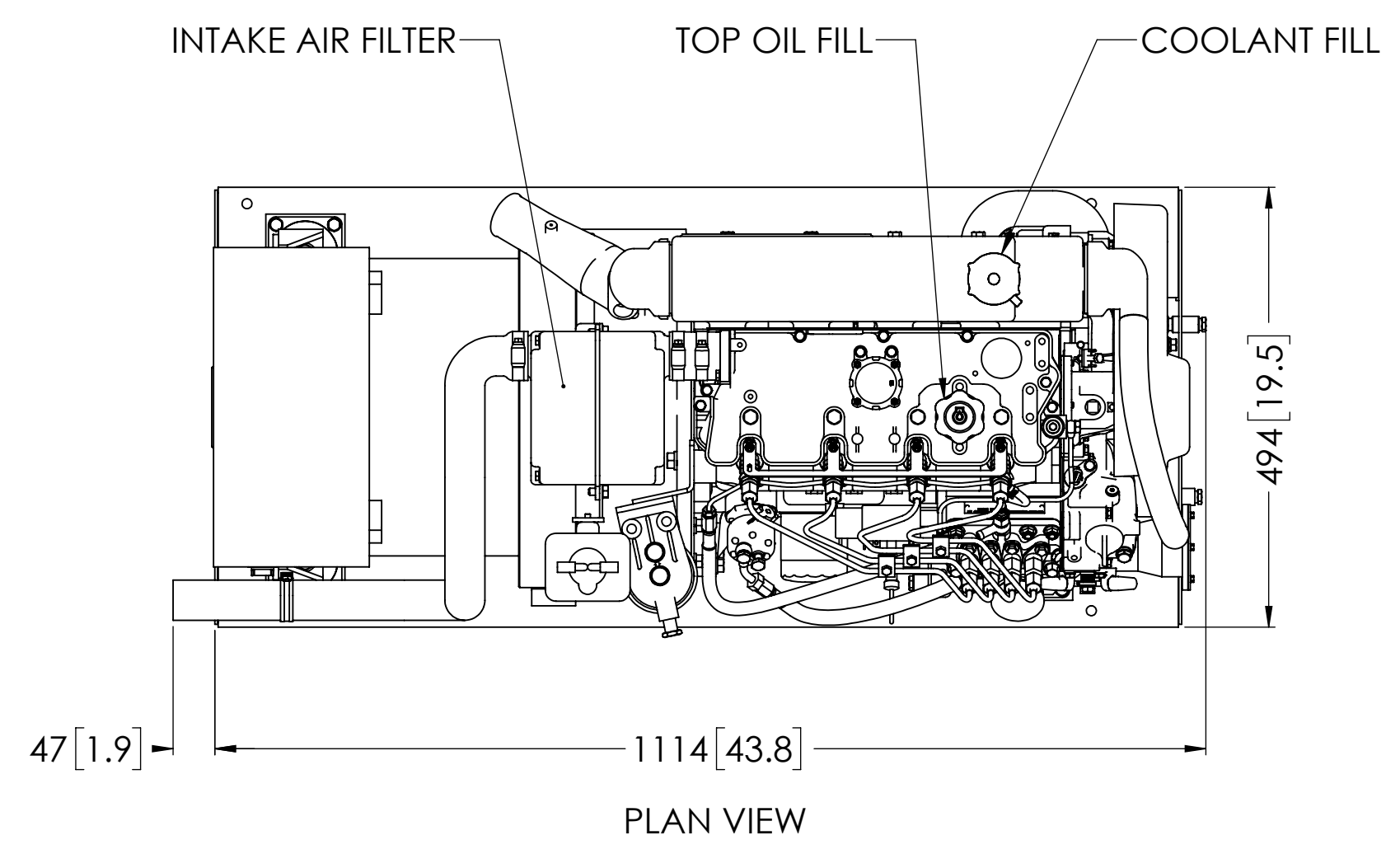


GENERATOR APPLICATION TABLE					
M844LW3	20 KW	1800 RPM	3 PHASE	60 HZ	
M844LW3	20 KW	1800 RPM	1 PHASE	60 HZ	
M844LW3	16 KW	1500 RPM	3 PHASE	50 HZ	
M844LW3	16 KW	1500 RPM	1 PHASE	50 HZ	
M844DW3	16 KW	1800 RPM	3 PHASE	60 HZ	
M844DW3	16 KW	1800 RPM	1 PHASE	60 HZ	
M844DW3	14 KW	1500 RPM	3 PHASE	50 HZ	
M844DW3	14 KW	1500 RPM	1 PHASE	50 HZ	



REV.	DESCRIPTION	DATE	BY	CHECKED
C	UPDATE FUEL CONNECTIONS TO NPT, ECN# 7829	2/14/2022	MK	MG
B	PER ECN#7193 ADDED CENTER OF GRAVITY AND RELATED DIMS	1/25/2021	ltp	
A	UPDATE VIEW FOR OPT COMPOUND MOUNTS, ECN #6507	1/21/2020	MK	LTP

UNLESS OTHERWISE SPECIFIED:
 DIMENSIONS ARE IN MILLIMETERS
 TOLERANCES:
 ANGULAR: MACH ±0.5° BEND ± 1.0°
 .X ± 0.5
 .XX ± 0.3
 INTERPRET GEOMETRIC TOLERANCING PER ASME Y14.5M
 MATERIAL:
 FINISH:
 DO NOT SCALE

THIRD ANGLE PROJECTION

PROPRIETARY AND CONFIDENTIAL
 THE INFORMATION CONTAINED IN THIS DRAWING IS THE SOLE PROPERTY OF NORTHERN LIGHTS. ANY REPRODUCTION IN PART OR AS A WHOLE WITHOUT THE WRITTEN PERMISSION OF NORTHERN LIGHTS IS PROHIBITED.

NAME: GT DATE: 5/16/18
 CHECKED: ENG APPR: MFG APPR: G.A. COMMENTS:

NORTHERN LIGHTS 4420 14th AVE. N.W. Seattle, WA 98107 (206) 789-3880 www.northern-lights.com

TITLE: INSTALLATION DIMENSIONS M844LW3 GEM SERIES

SIZE: D PART NO: SEE TABLE DWG. NO: D-5104 REV: C
 SCALE: 1:7 WEIGHT: 438 kg [964.9 lbs] SHEET 1 OF 1

THE DIMENSIONS ON THIS DRAWING ARE SUBJECT TO CHANGE. PLEASE CONTACT NORTHERN LIGHTS INC. TO BE SURE YOU HAVE THE MOST CURRENT REVISION.