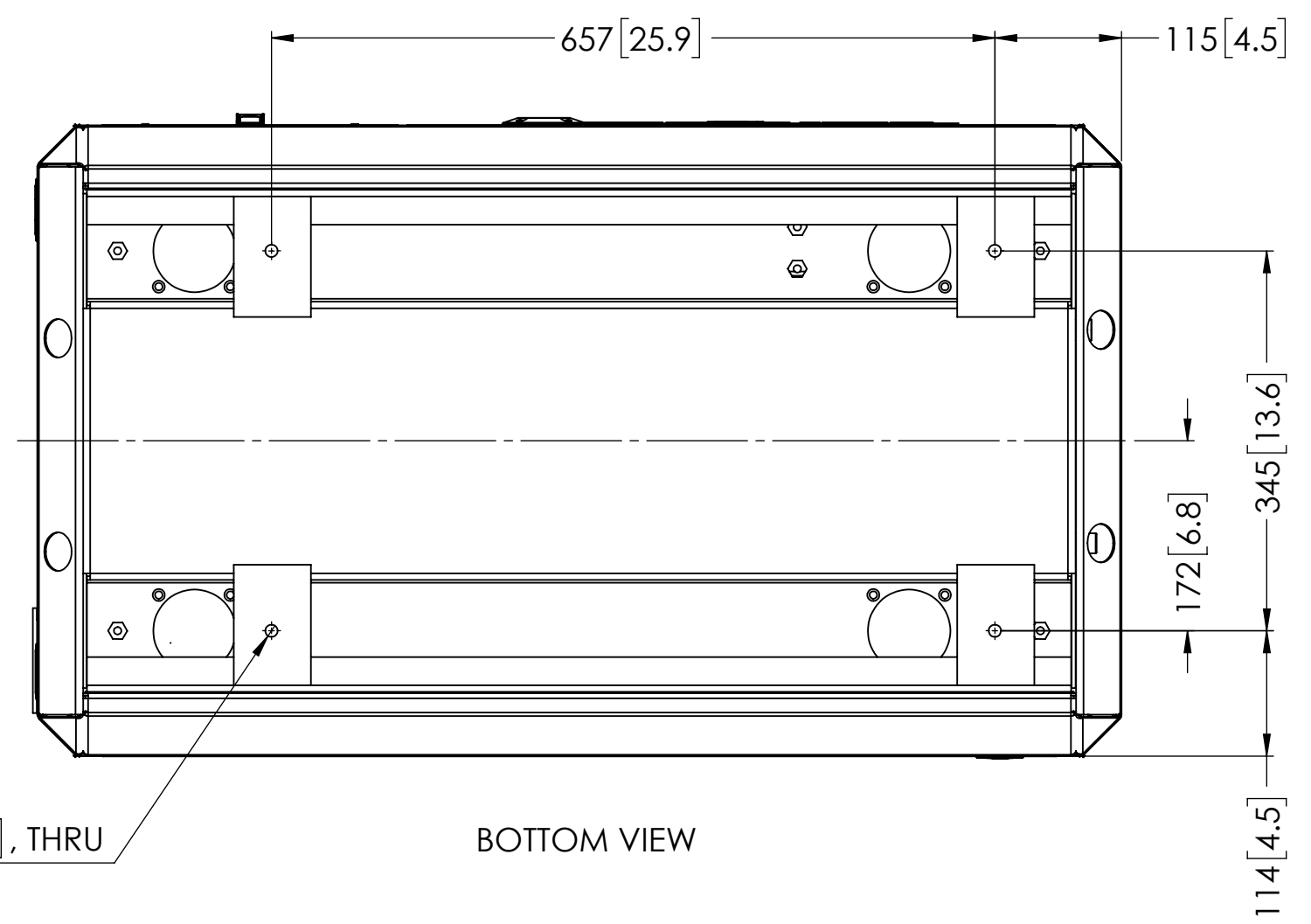
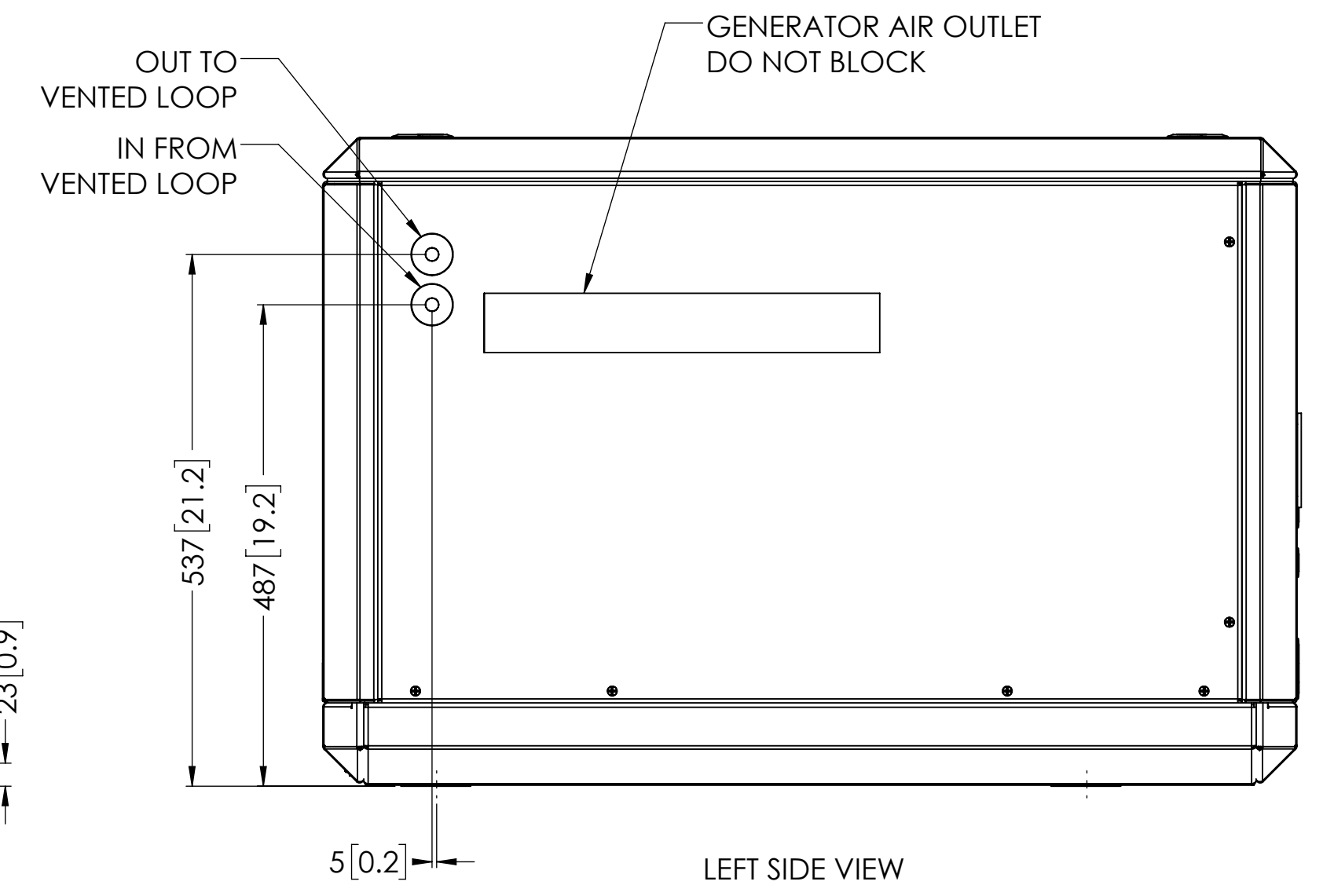
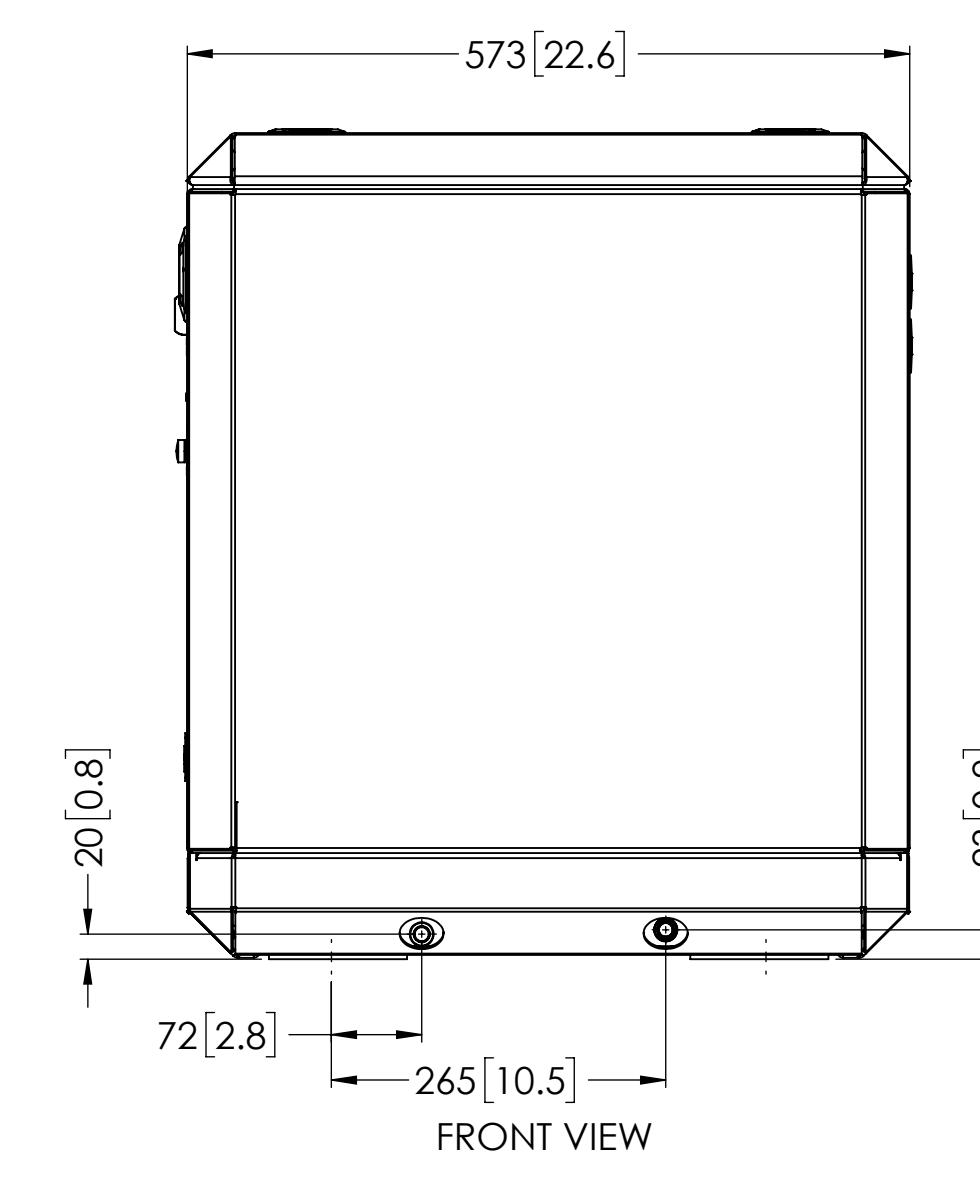
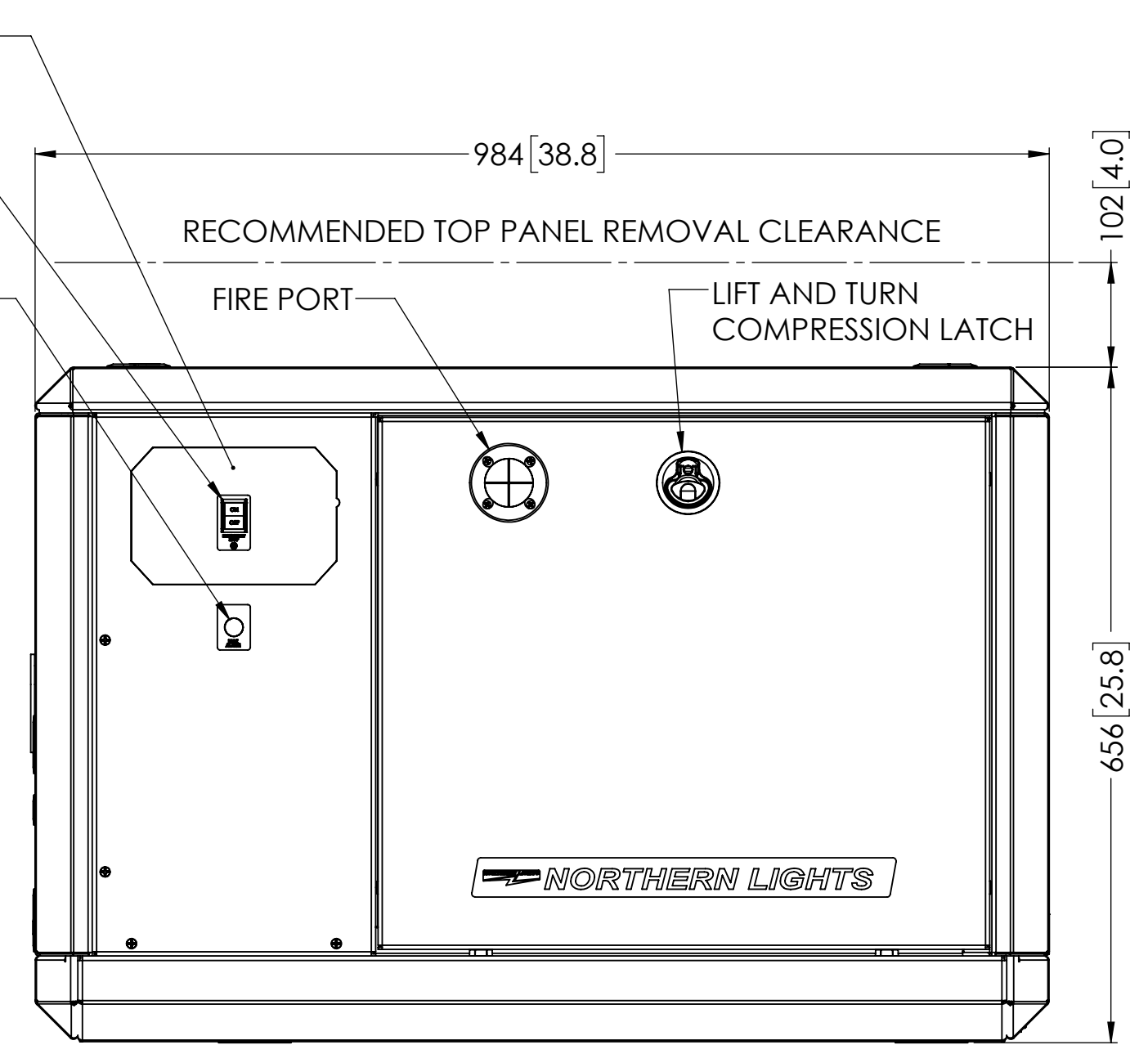
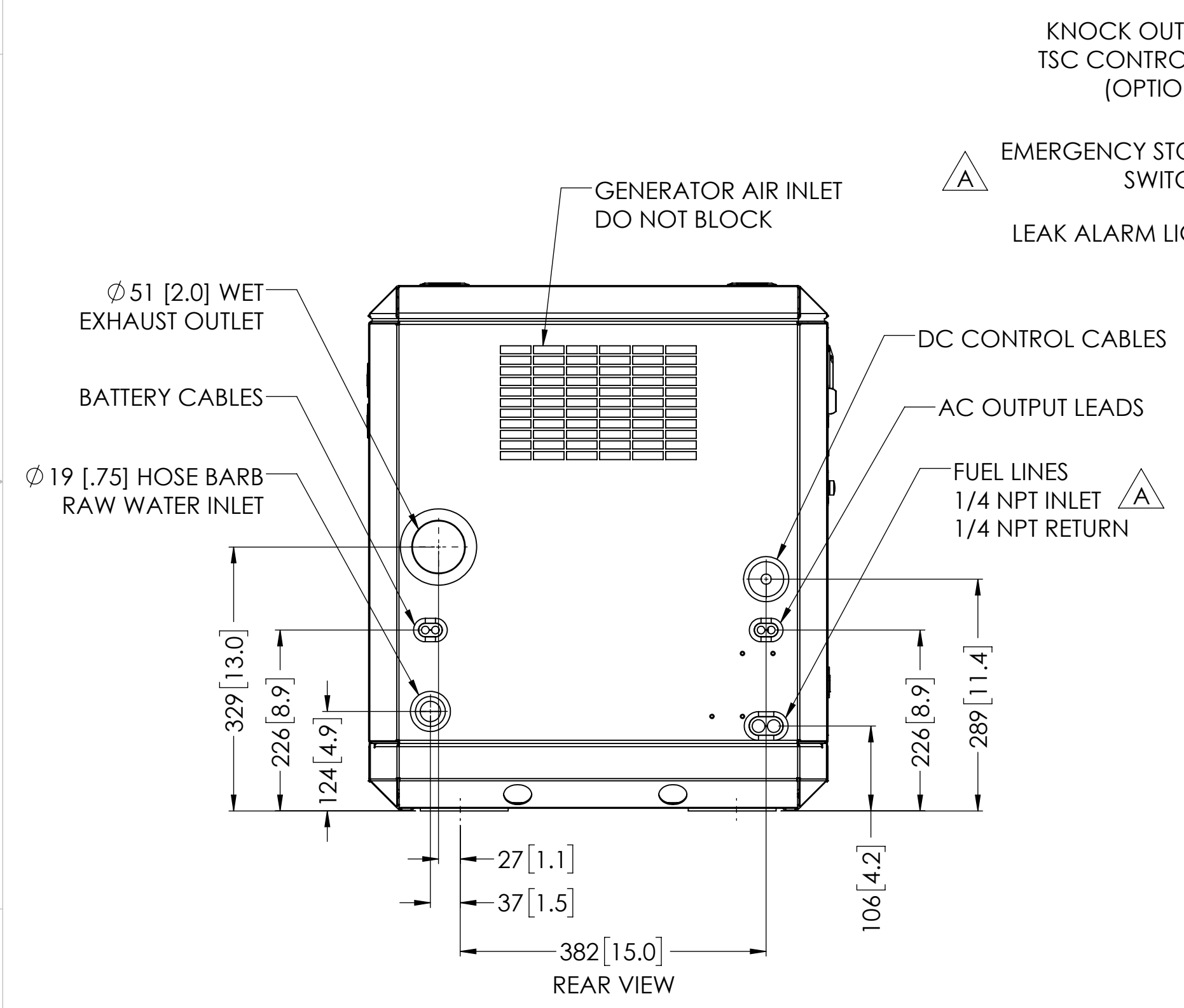
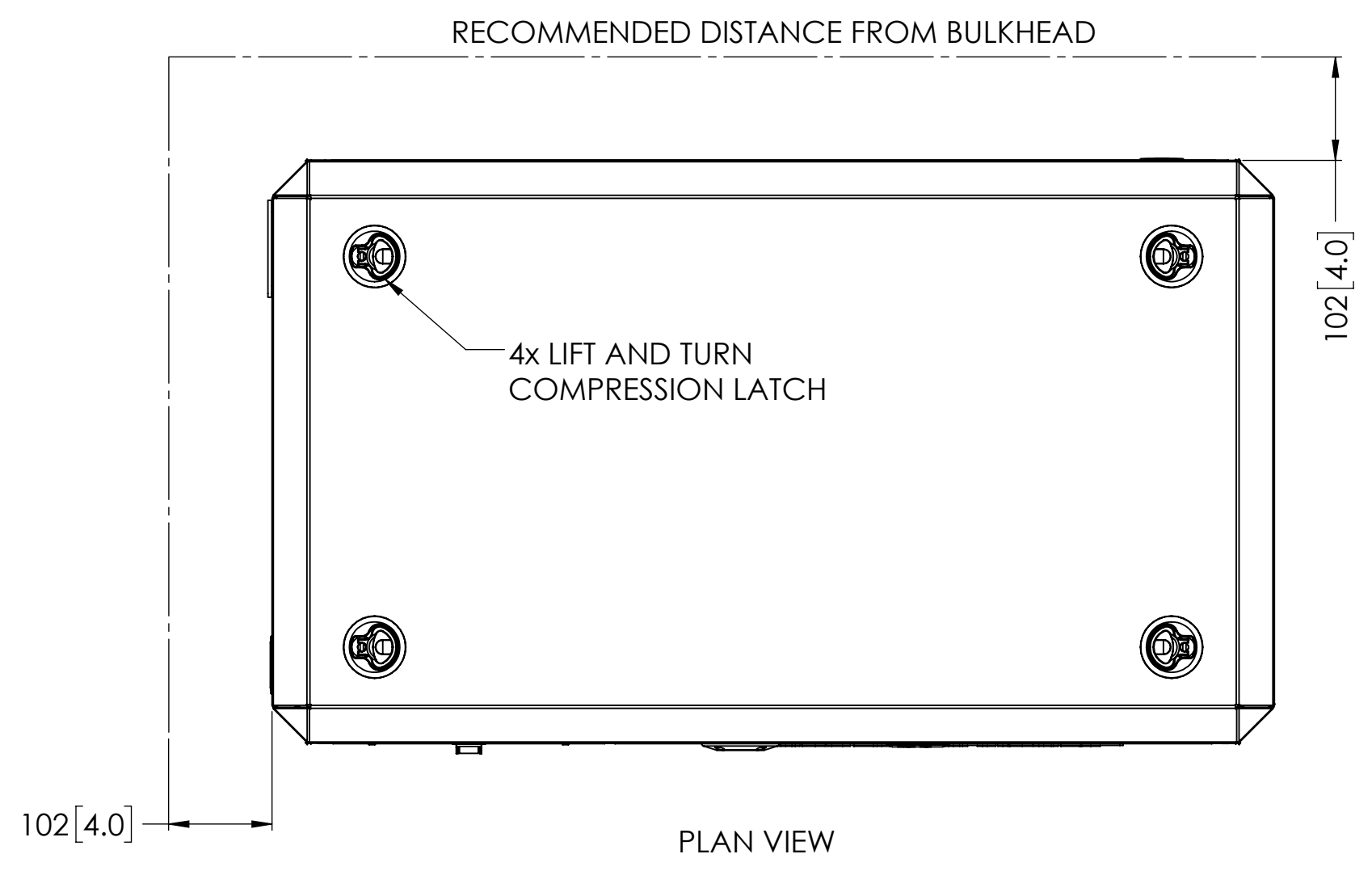
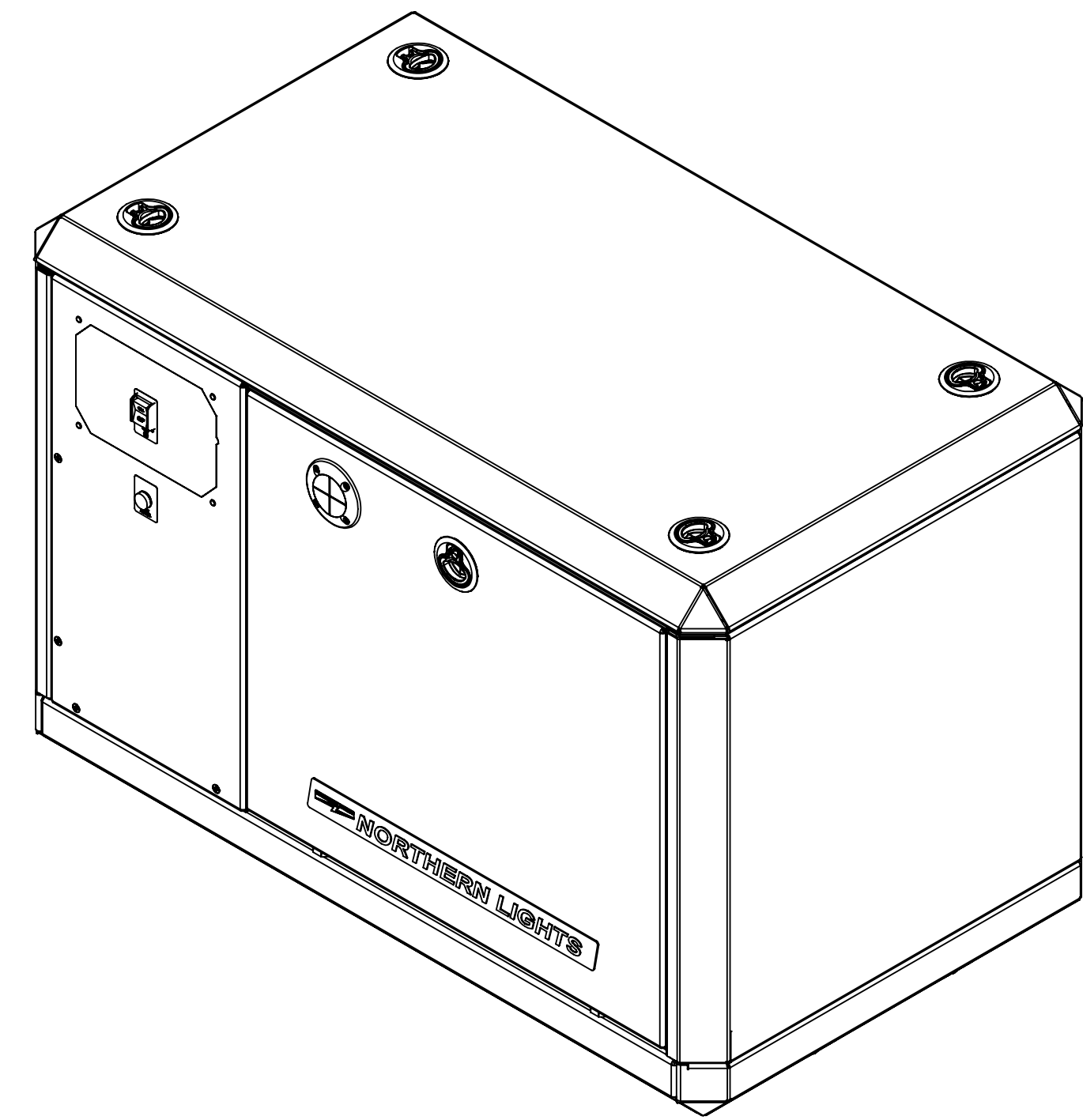
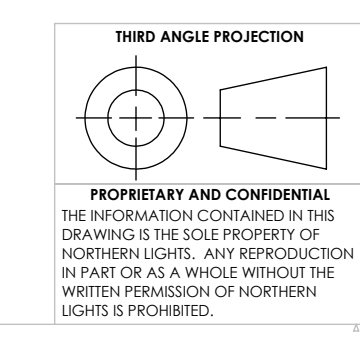


WEIGHT W/O GENSET		WEIGHT W/ GENSET	
24 kg [53 lbs]		358 kg [789 lbs]	
GENERATOR APPLICATION TABLE			
M843NW3	12kW	1800RPM	3PHASE 60 HZ.
M843NW3	12kW	1800RPM	1PHASE 60 HZ.
M843NW3	10kW	1500RPM	3PHASE 50 HZ.
M843NW3	10kW	1500RPM	1PHASE 50 HZ.



THE DIMENSIONS ON THIS DRAWING ARE SUBJECT TO CHANGE. PLEASE CONTACT NORTHERN LIGHTS INC TO BE SURE YOU HAVE THE MOST CURRENT REVISION.



UNLESS OTHERWISE SPECIFIED:	NAME	DATE
DIMENSIONS ARE IN MILLIMETERS	GT	6/20/18
TOLERANCES:	CHECKED	LTP
ANGULAR: MACH ± 0.5° BEND ± 1.0°	ENG APPR.	
X ± 0.3	MEG APPR.	
X.X ± 0.3	Q.A.	
INTERPRET GEOMETRIC TOLERANCING PER ASME Y14.5M	COMMENTS:	
MATERIAL:		
FINISH:		
DO NOT SCALE		

REV.	DESCRIPTION	DATE	BY	CHECKED
A	UPDATE FUEL CONNECTIONS TO NPT, SHOW E-STOP SWITCH AND LEAK ALARM LIGHT, ECN# 7845	3/1/2022	MK	MG

		4420 14th AVE. N.W. Seattle, WA 98107 (206) 789-3880 www.northern-lights.com
TITLE: INSTALLATION DIMENSIONS M843NW3 GEM SERIES SOUND SHIELDS		
SIZE: PART NO. D 06-73100	DWG. NO.: D-5114	REV: A
SCALE: 1:6	WEIGHT:	SHEET 1 OF 1