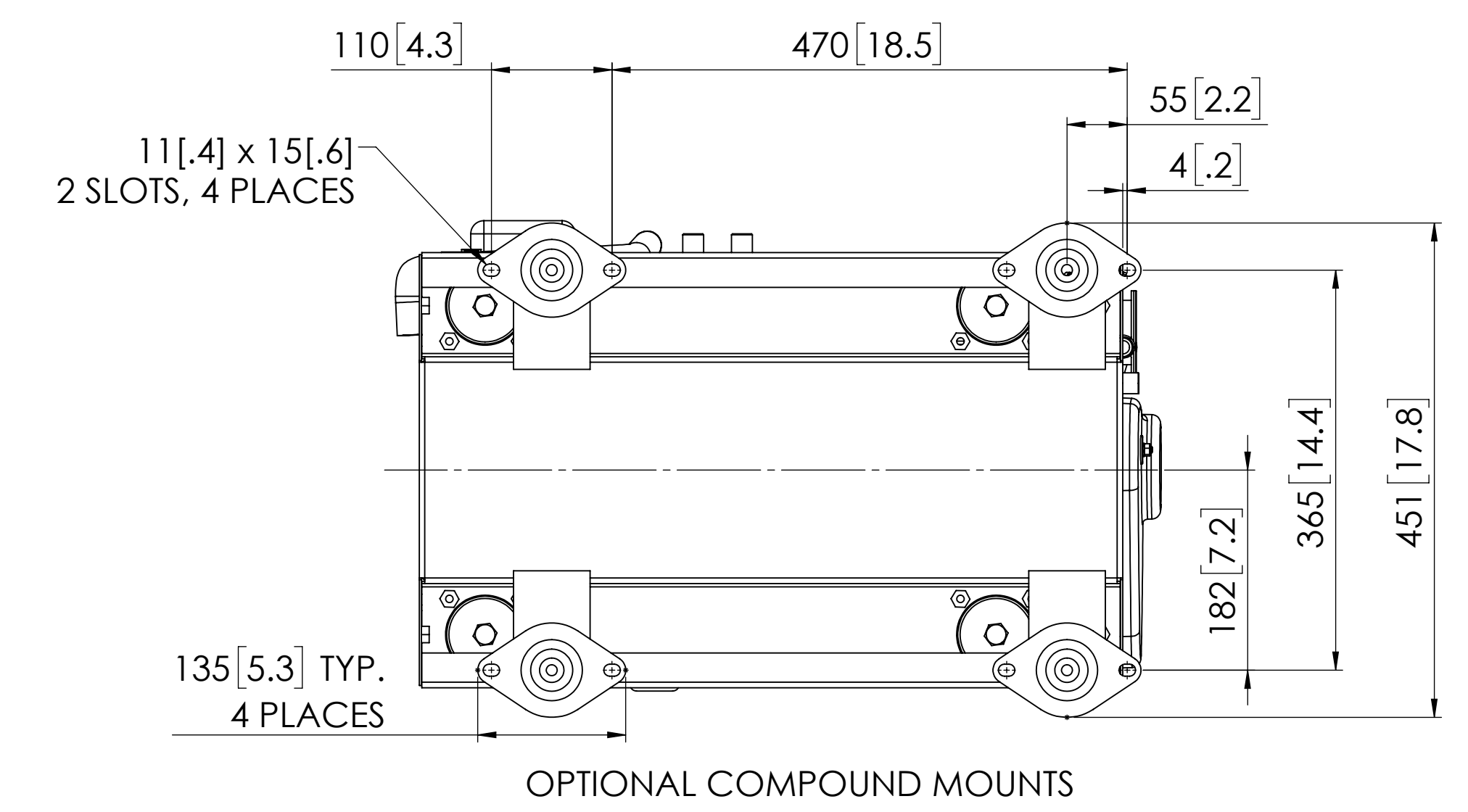
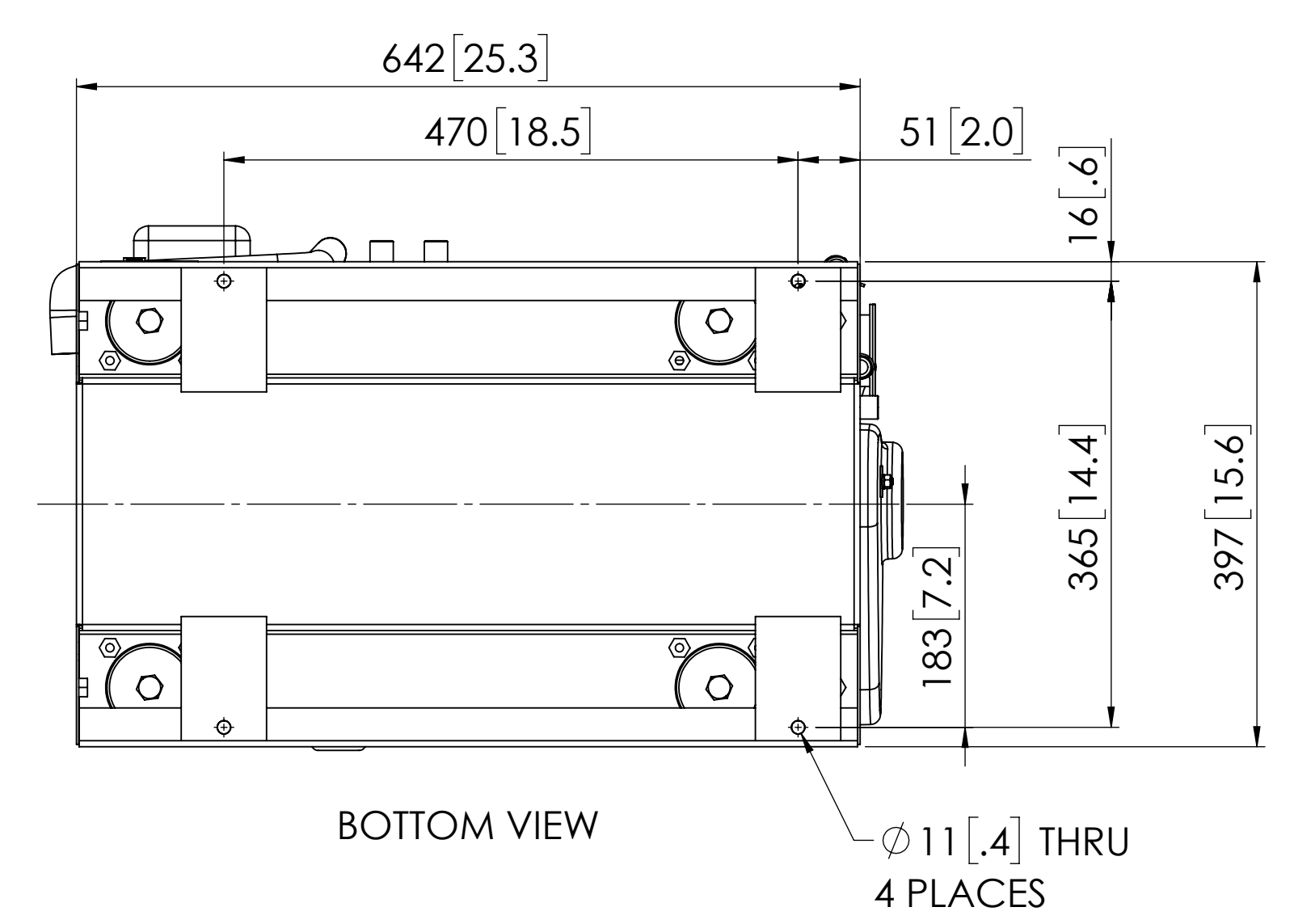
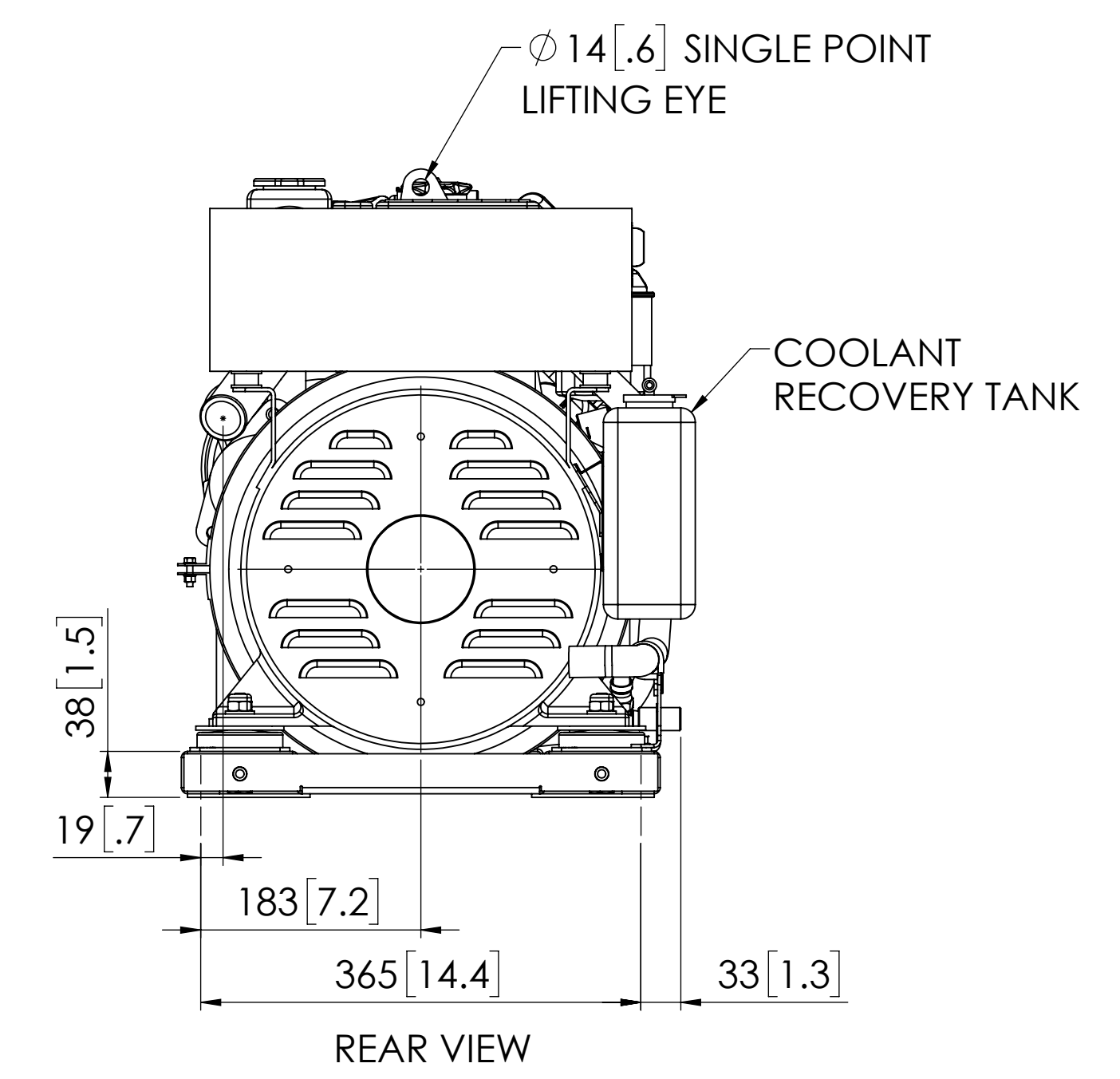
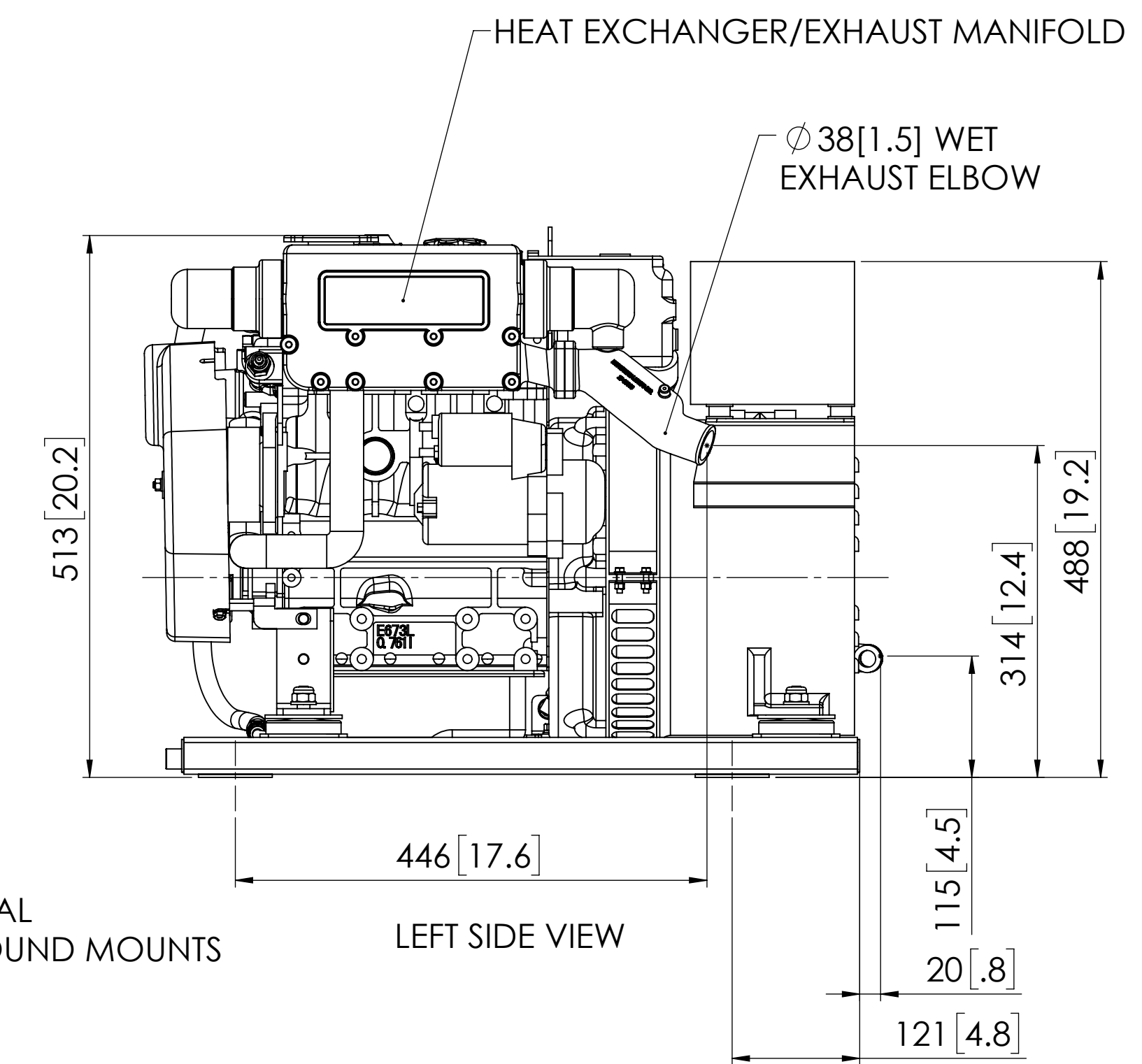
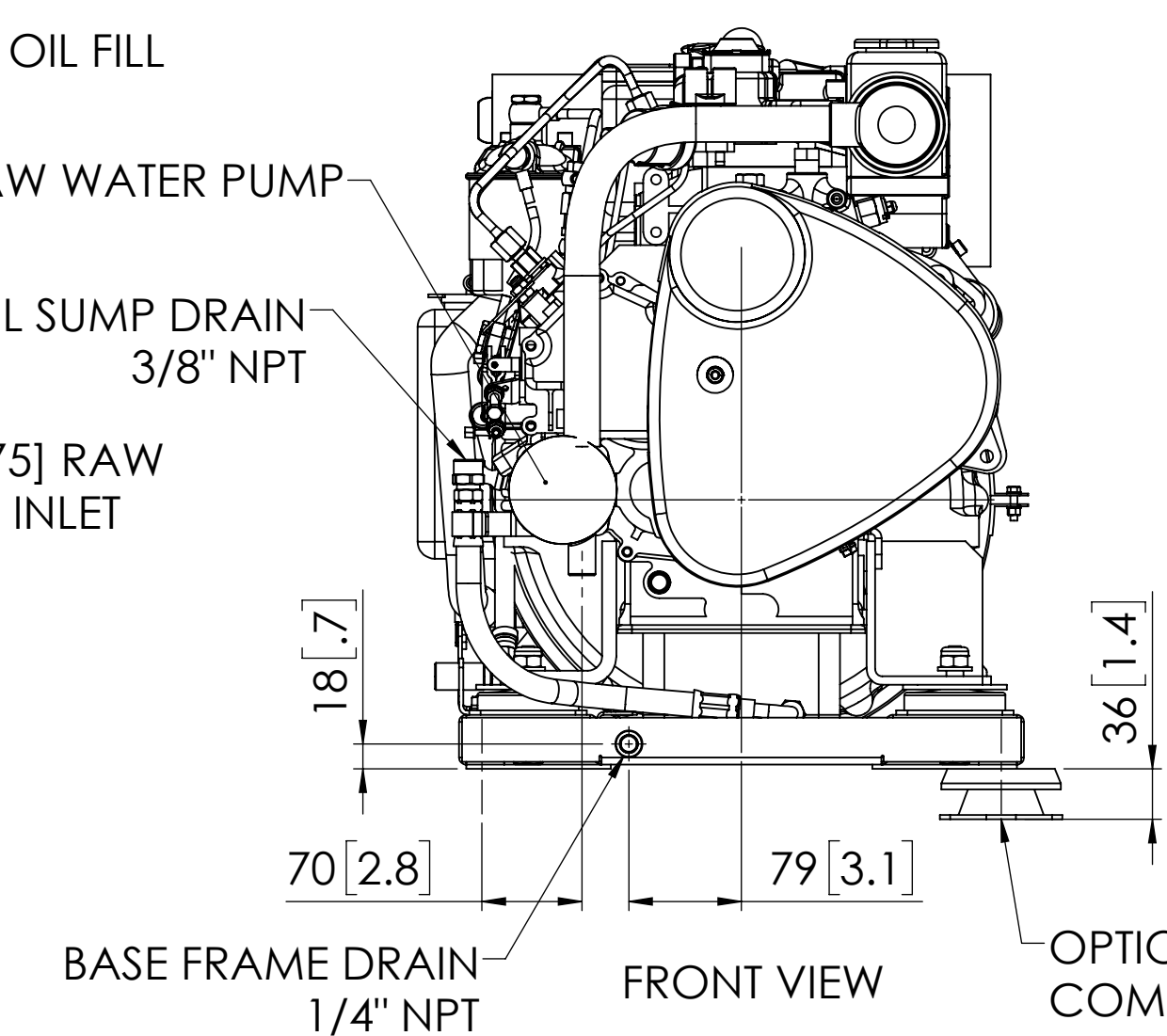
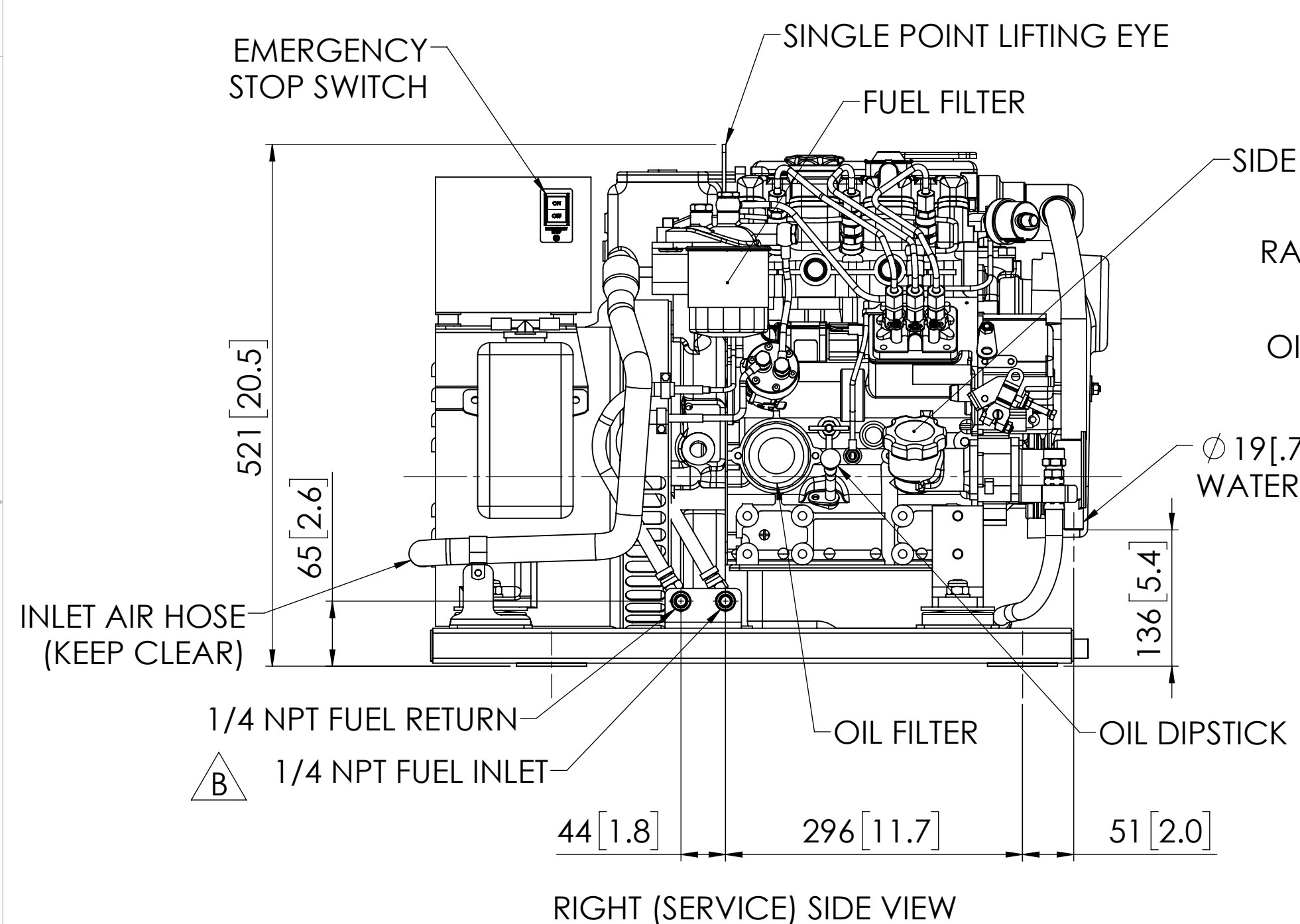
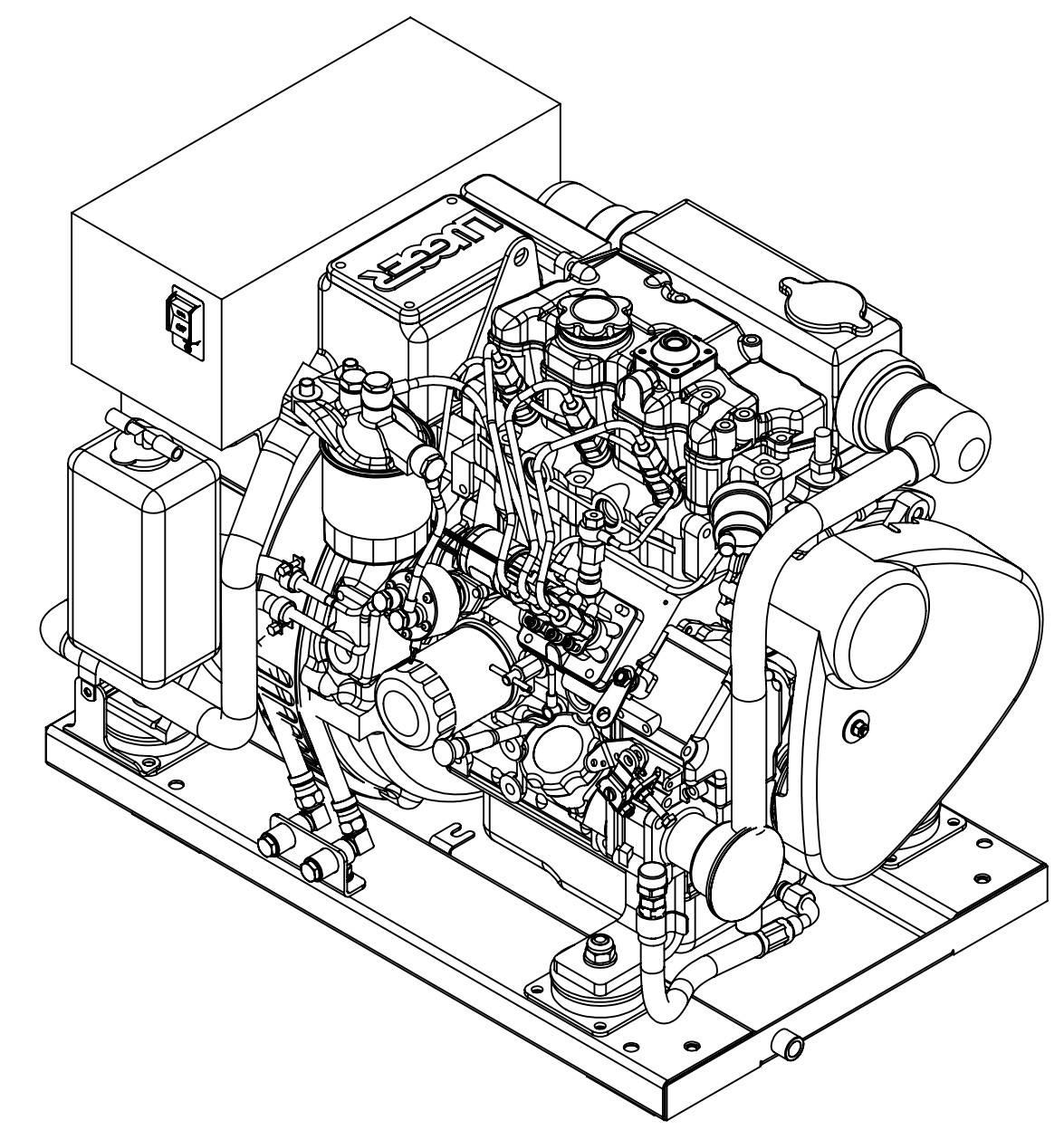
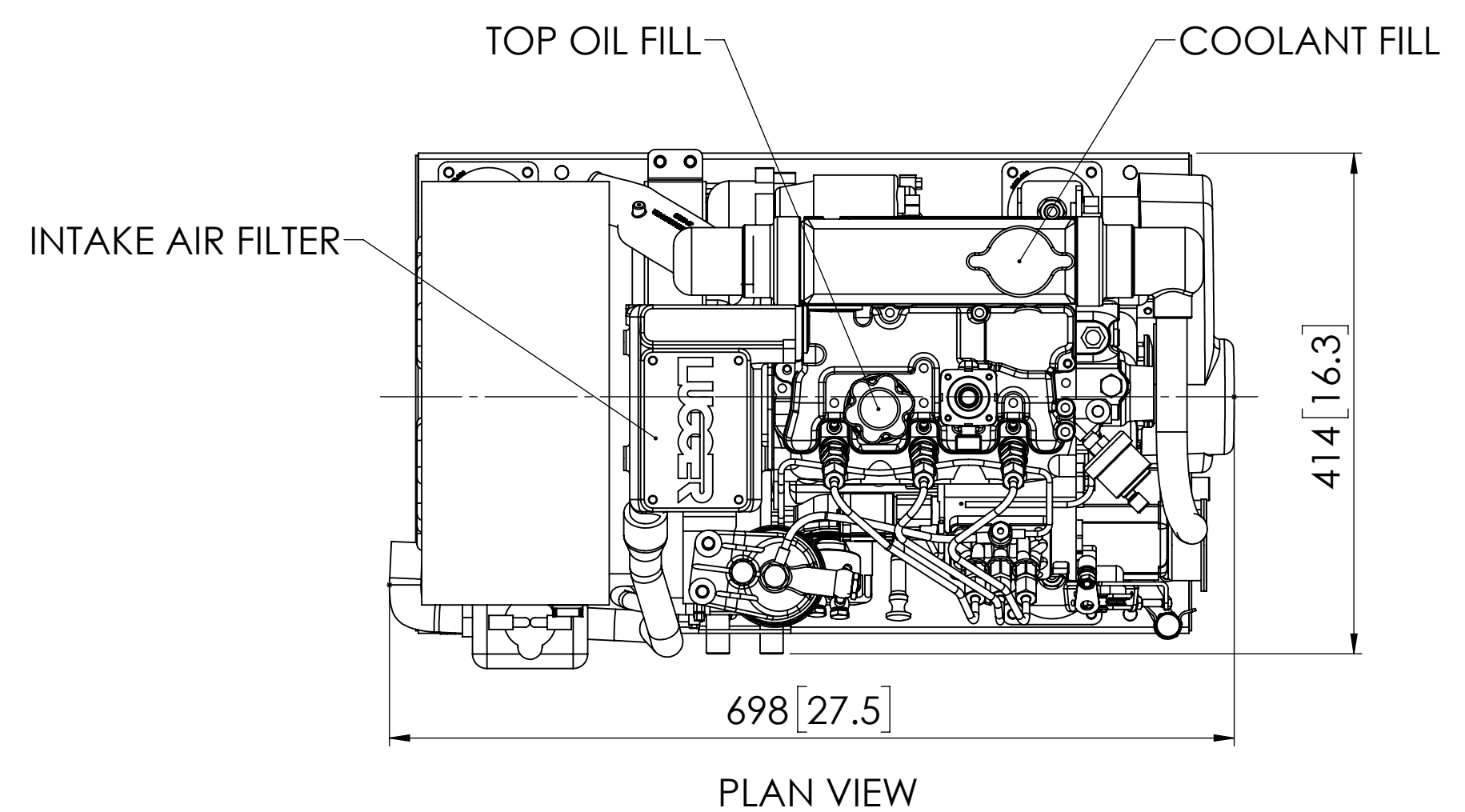
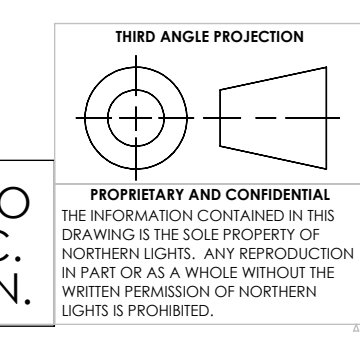


MODEL	RATING	RPM	PHASE	FREQUENCY
M673L3	6 kW	1800	1	60 Hz
M673L3	5 kW	1500	1	50 Hz
M673LD3	5 kW	1800	1	60 Hz
M673LD3	4.5 kW	1500	1	50 Hz



THE DIMENSIONS ON THIS DRAWING ARE SUBJECT TO CHANGE. PLEASE CONTACT NORTHERN LIGHTS INC. TO BE SURE YOU HAVE THE MOST CURRENT REVISION.

REV.	DESCRIPTION	DATE	BY	CHECKED
B	UPDATE FUEL CONNECTIONS TO NPT, ECN 7826	10/16/2020	MK	MG
A	UPDATE GENSET MODEL WITH DETAILS, ECN #6499	1/13/2020	MK	TAH



UNLESS OTHERWISE SPECIFIED:	NAME	DATE
DIMENSIONS ARE IN INCHES	GT	10/22/18
TOLERANCES:		
ANGULAR: ±0.5°		
ARC/R: ±0.1"		
XX ±0.03		
XXX ±0.005		
INTERPRET GEOMETRIC TOLERANCING PER: ASME Y14.5M		
MATERIAL:		
FINISH:		
DO NOT SCALE		

NORTHERN LIGHTS
4420 14th AVE. N.W.
Seattle, WA 98107
(206) 789-3880
www.northern-lights.com

TITLE: **INSTALLATION DIMENSIONS M673L3, M673LD3 GEM SERIES**

SIZE: D	PART NO.: SEE TABLE	DWG. NO.: D-5139	REV: B
SCALE: 1:5	WEIGHT: 168 kg [371 lbs]	SHEET 1 OF 1	