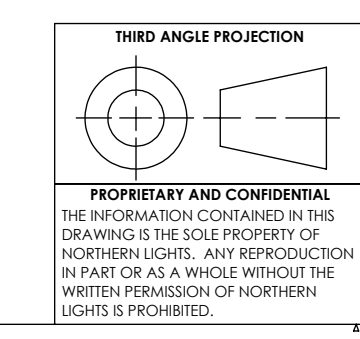
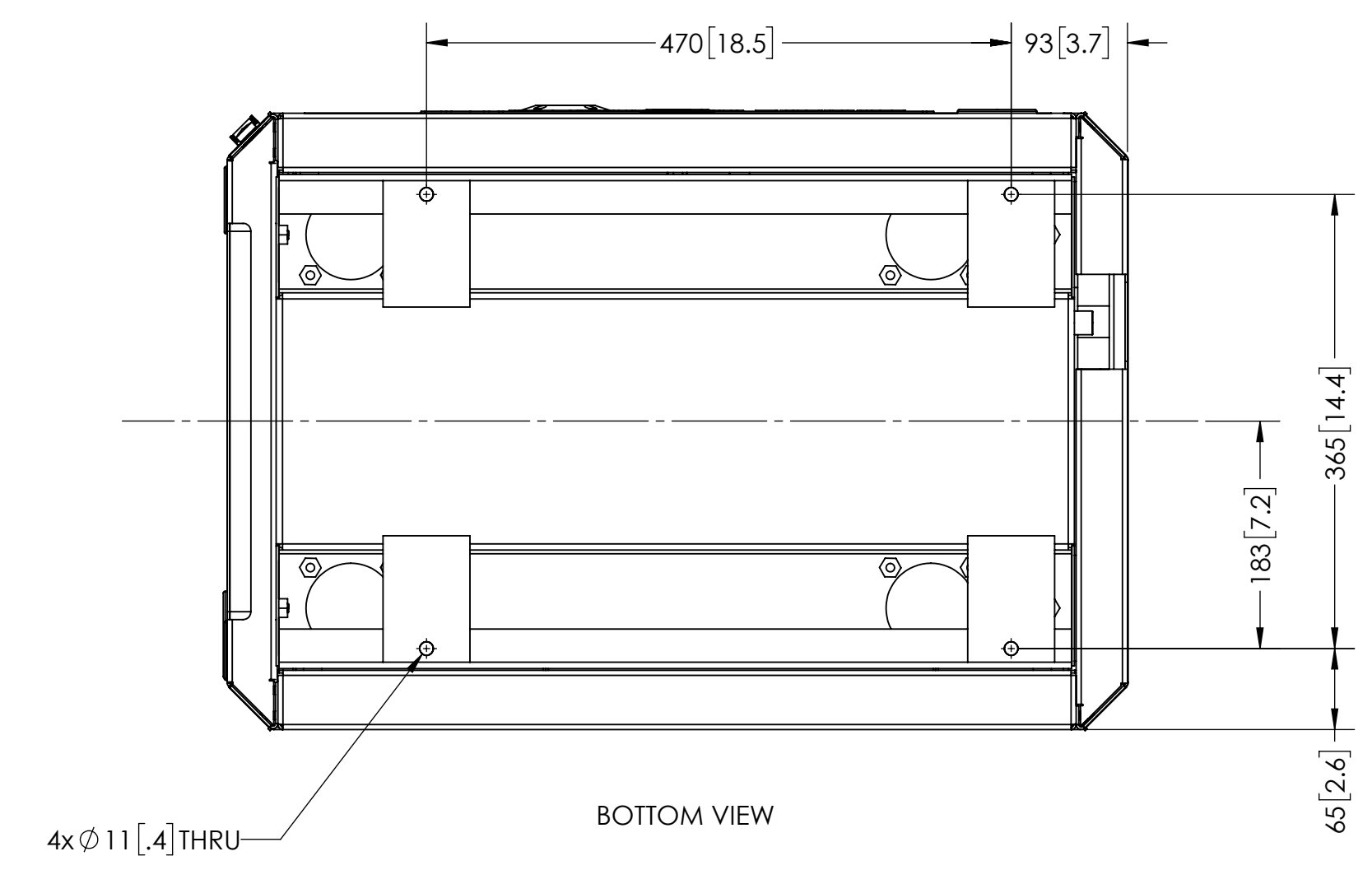
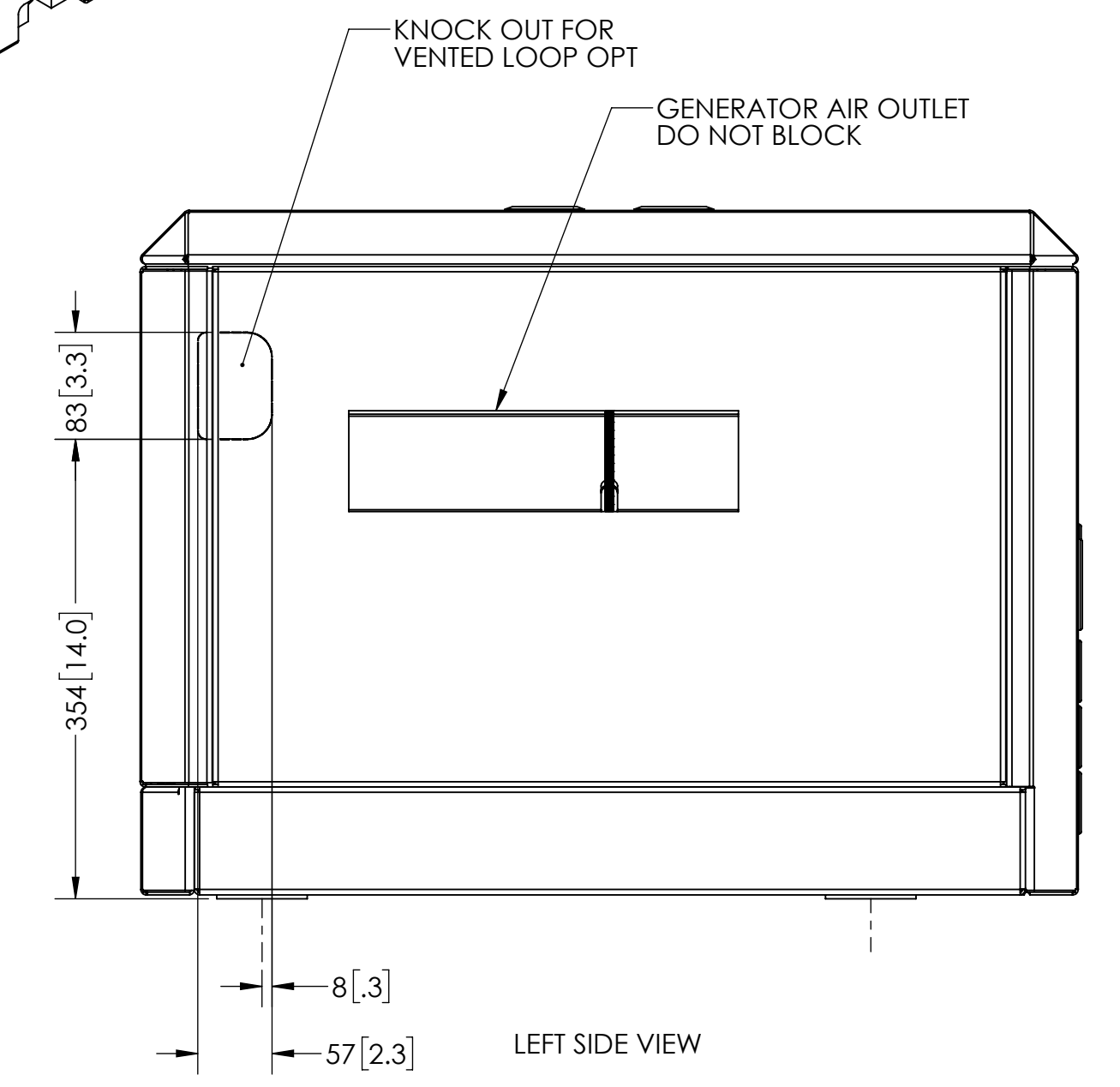
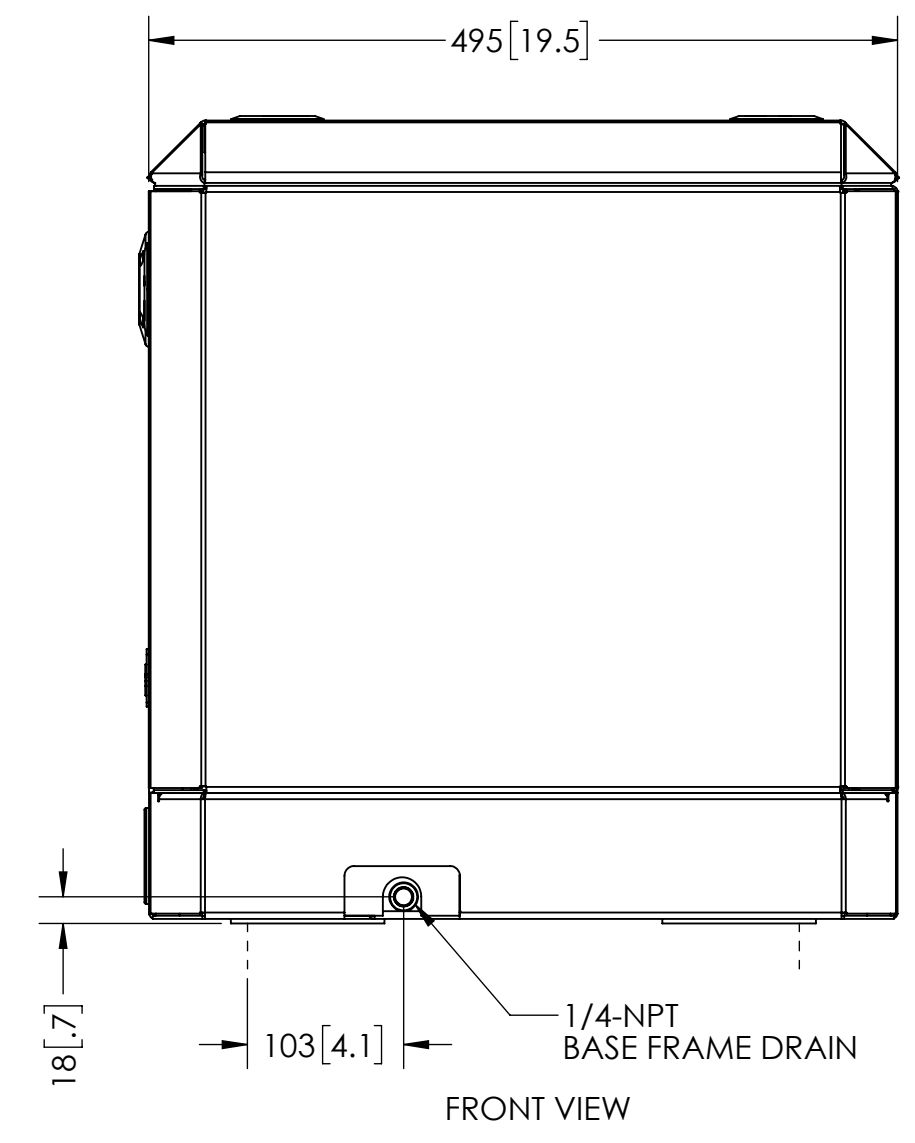
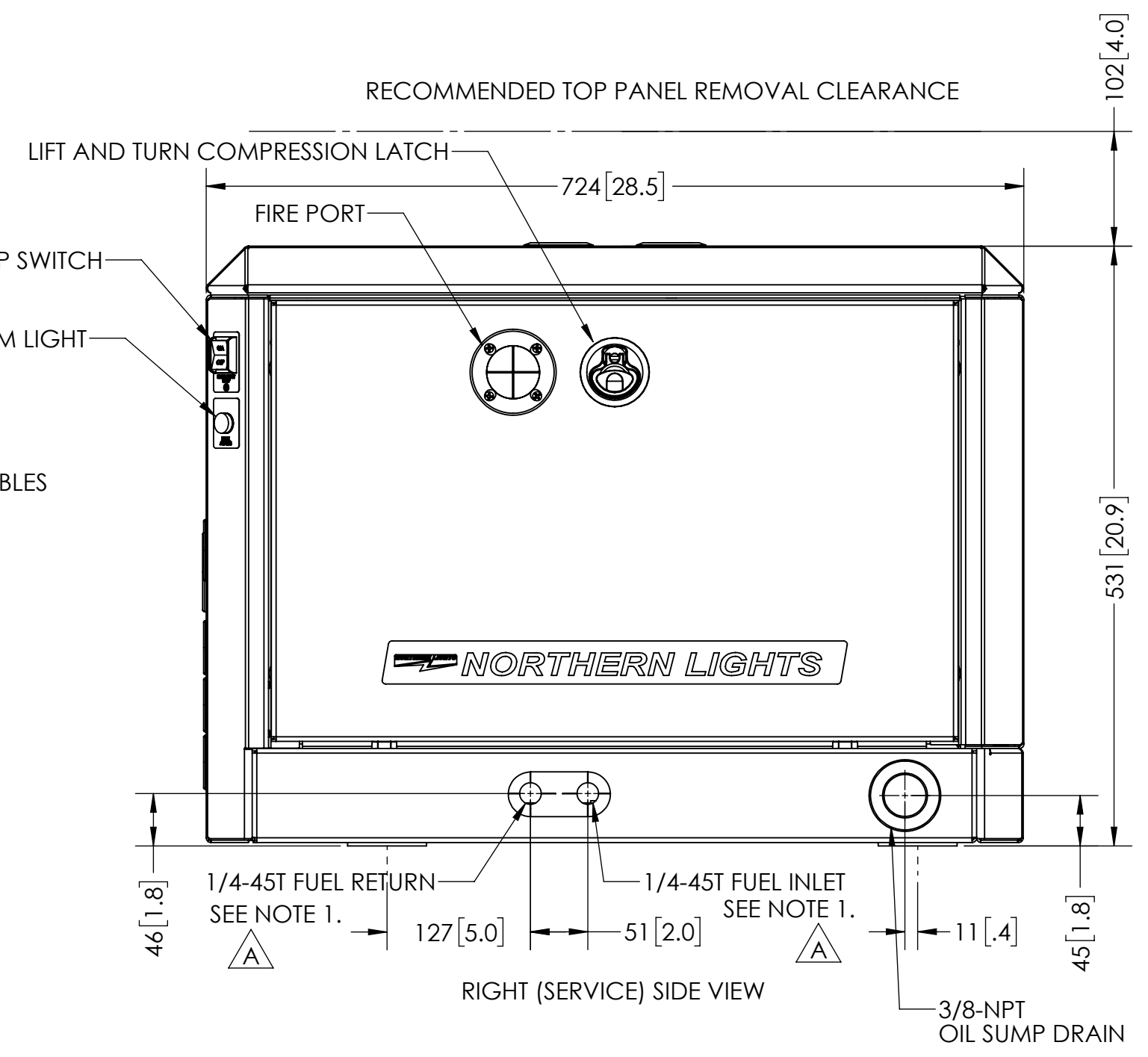
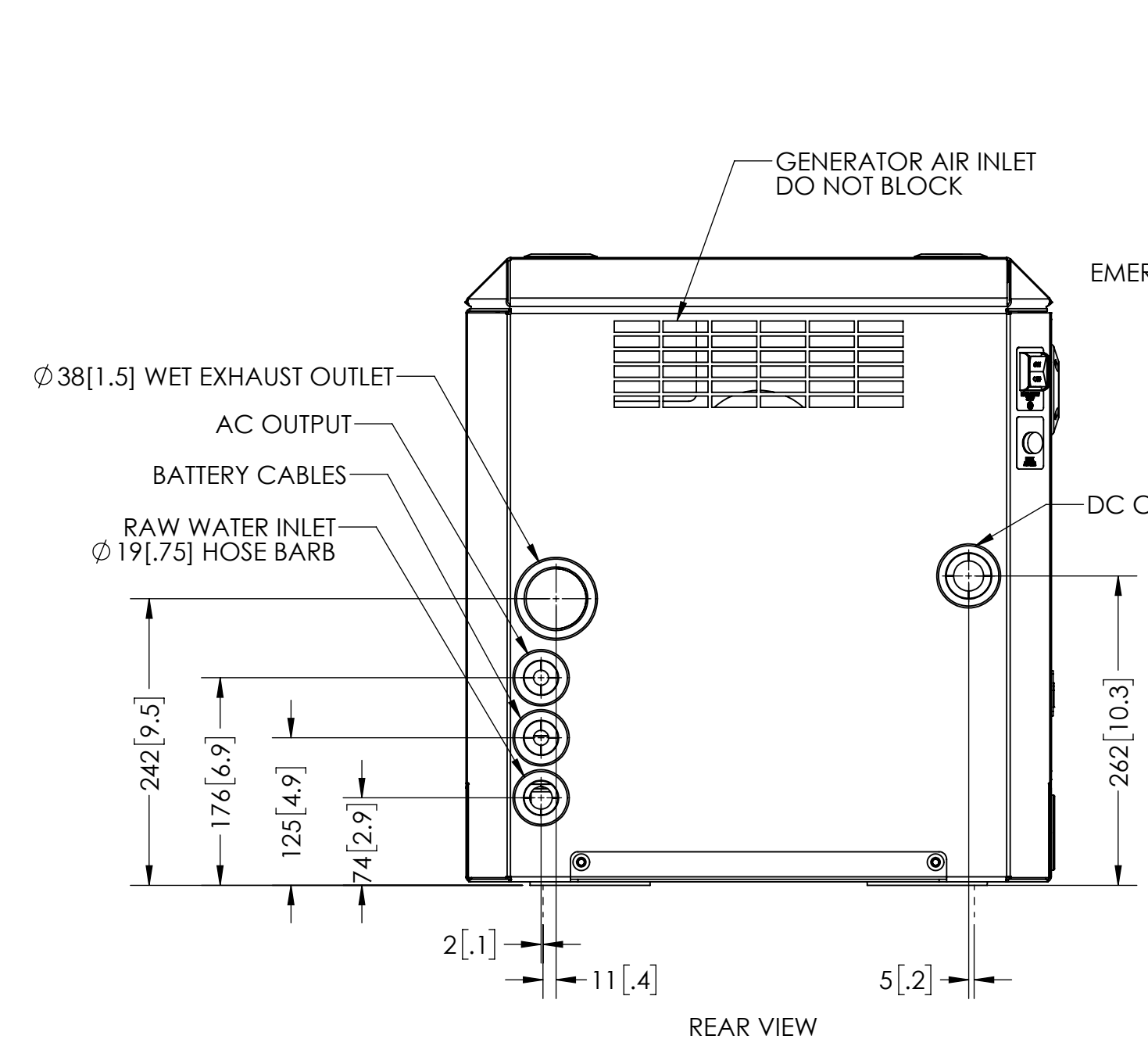
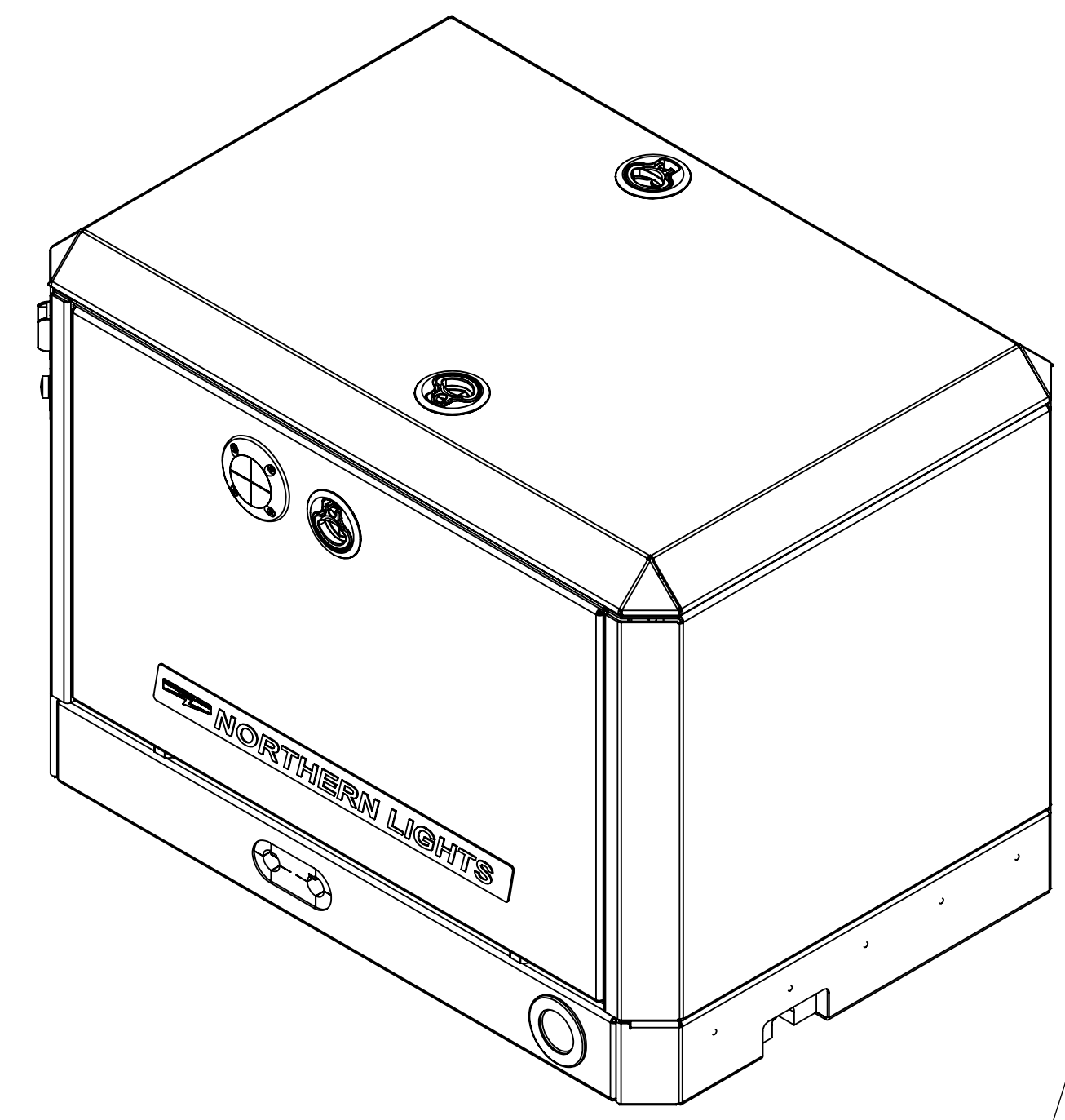
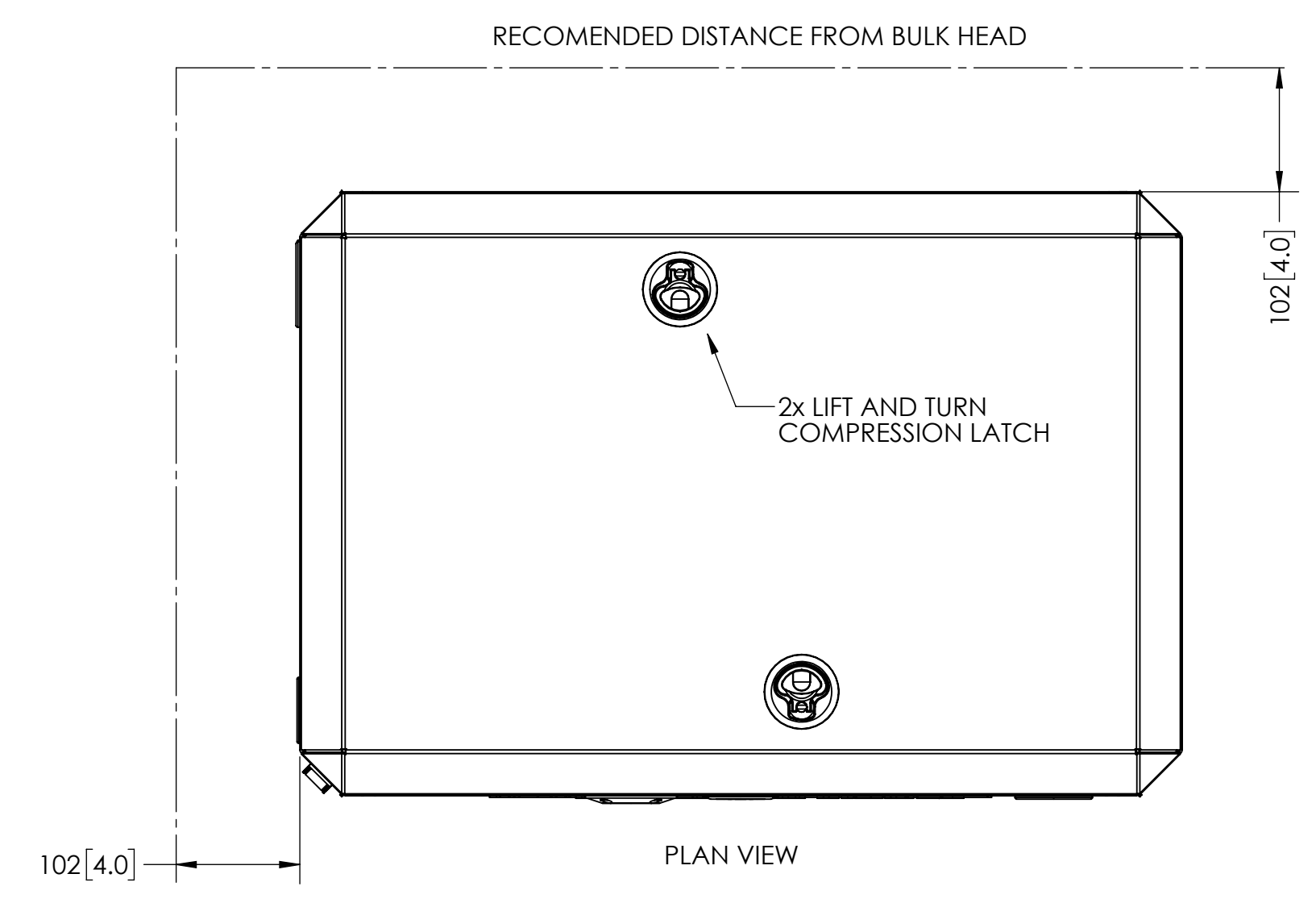


WEIGHT W/O GENSET		WEIGHT W/ GENSET	
15.4kg [34 lbs]		183.4kg [404 lbs]	
GENERATOR APPLICATION TABLE			
M673L3	6kW	1800RPM	1PHASE 60 HZ.
M673L3	5kW	1500RPM	1PHASE 50 HZ.
M673LD3	5kW	1800RPM	1PHASE 60 HZ.
M673LD3	4.5kW	1500RPM	1PHASE 50 HZ.

NOTES:
 1. GENSET FUEL LINE CONNECTION IS 1/4" NPT NATURAL. WITH SHIELD ASSEMBLY INSTALLED THE CONNECTIONS BECOME 1/4-45T.



PROPRIETARY AND CONFIDENTIAL
 THE INFORMATION CONTAINED IN THIS DRAWING IS THE SOLE PROPERTY OF NORTHERN LIGHTS. ANY REPRODUCTION IN PART OR AS A WHOLE WITHOUT THE WRITTEN PERMISSION OF NORTHERN LIGHTS IS PROHIBITED.

REV.	DESCRIPTION	DATE	BY	CHECKED
A	PER ECN #7885, FUEL CONNECTION WAS SHOWN AT 1/4 NPT. 1/4 NPT IS NATURAL FOR STD GENSET. WITH SHIELD KIT INSTALLED BECOMES 1/4-45T.	3/24/2022	LTP	TAH

REVISIONS			
UNLESS OTHERWISE SPECIFIED:	NAME	DATE	
DIMENSIONS ARE IN MILLIMETERS	DRAWN	MK	11/27/19
TOLERANCES:	CHECKED	MG	3/7/22
ANGULAR:	ENG APPR.		
	MFG APPR.		
	Q.A.		
INTERPRET GEOMETRIC TOLERANCING PER ASME Y14.5M	COMMENTS:		
MATERIAL:			
FINISH:			
DO NOT SCALE			

		4420 14th AVE. N.W. Seattle, WA 98107 (206) 789-3880 www.northern-lights.com	
TITLE: INSTALLATION DIMENSIONS M673L3, M673LD3 GEM SERIES SOUND SHIELD			
SIZE	PART NO.	DWG. NO.	REV
D	06-08050	D-5141	A
SCALE: 1:5	WEIGHT: SEE TABLE	SHEET 1 OF 1	