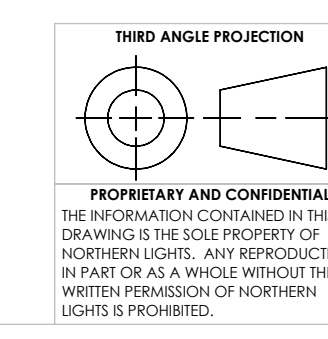
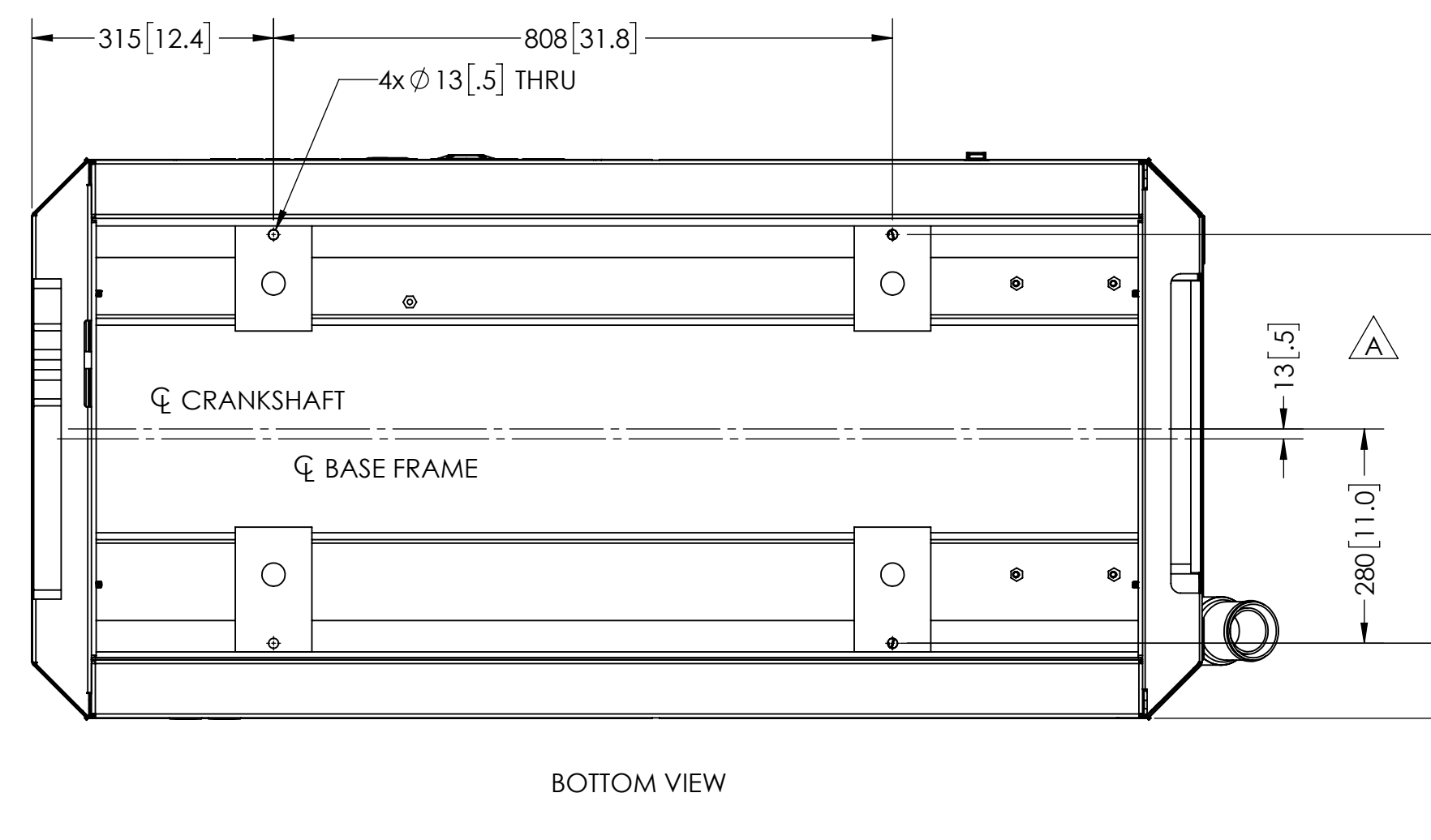
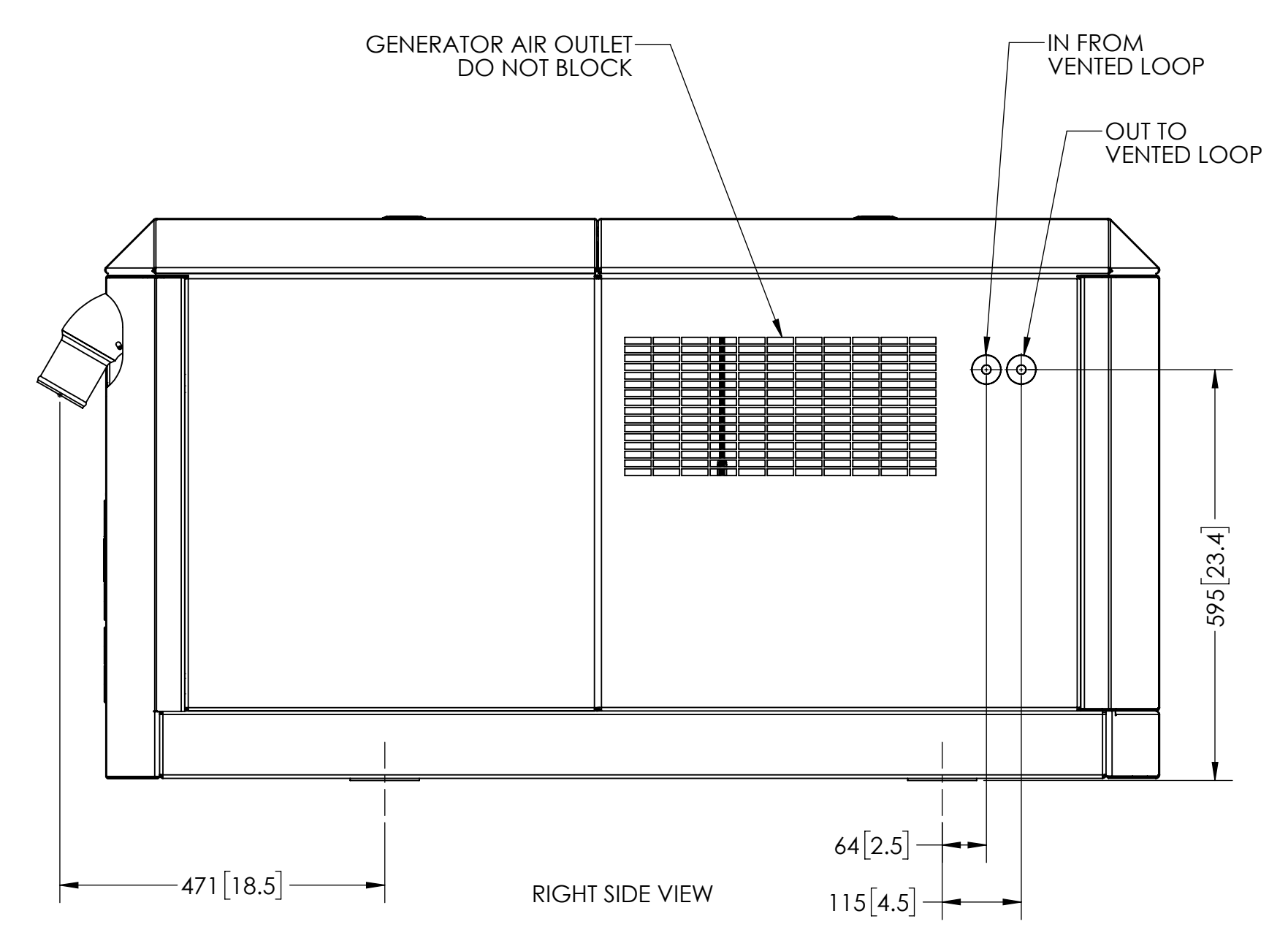
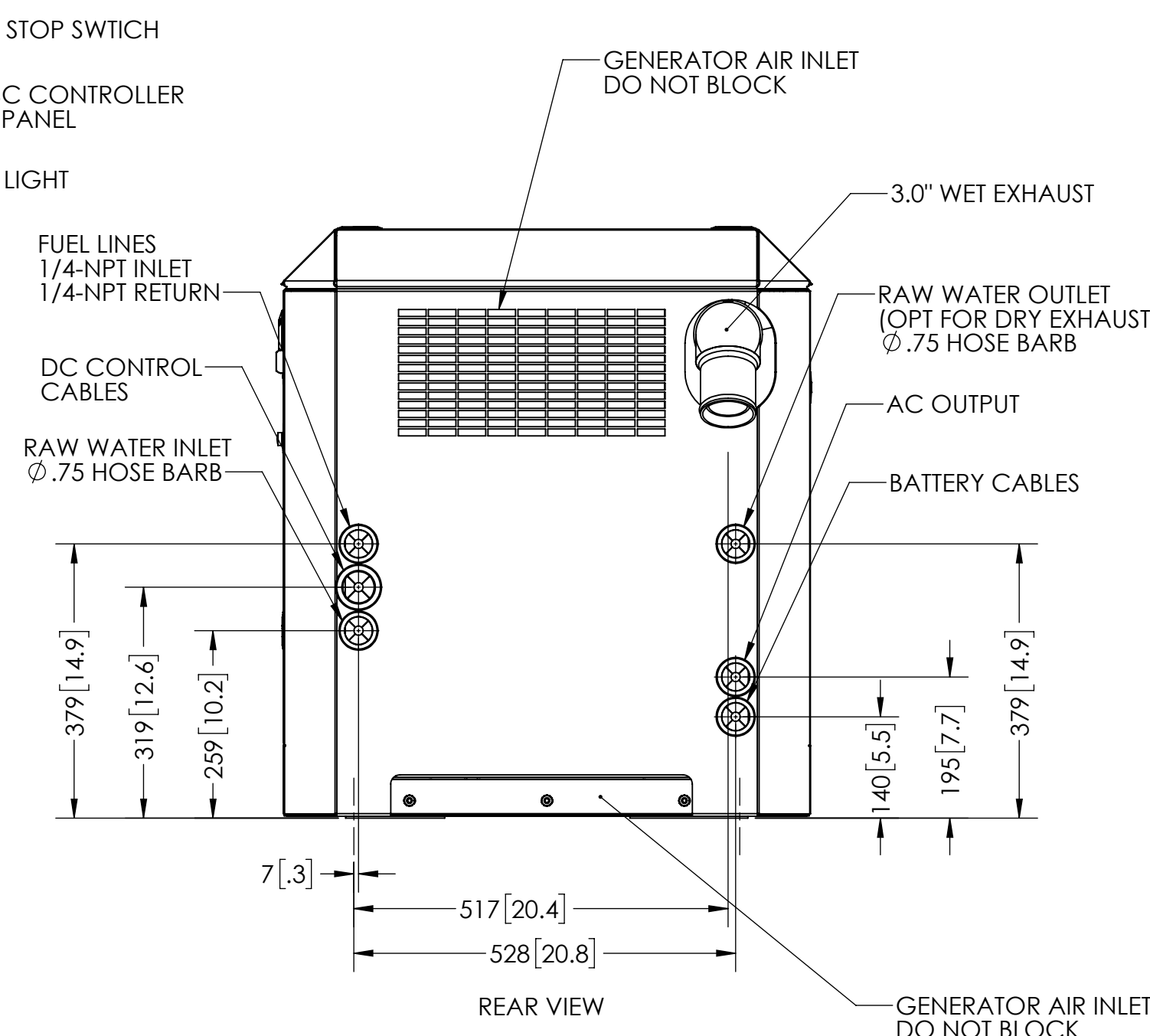
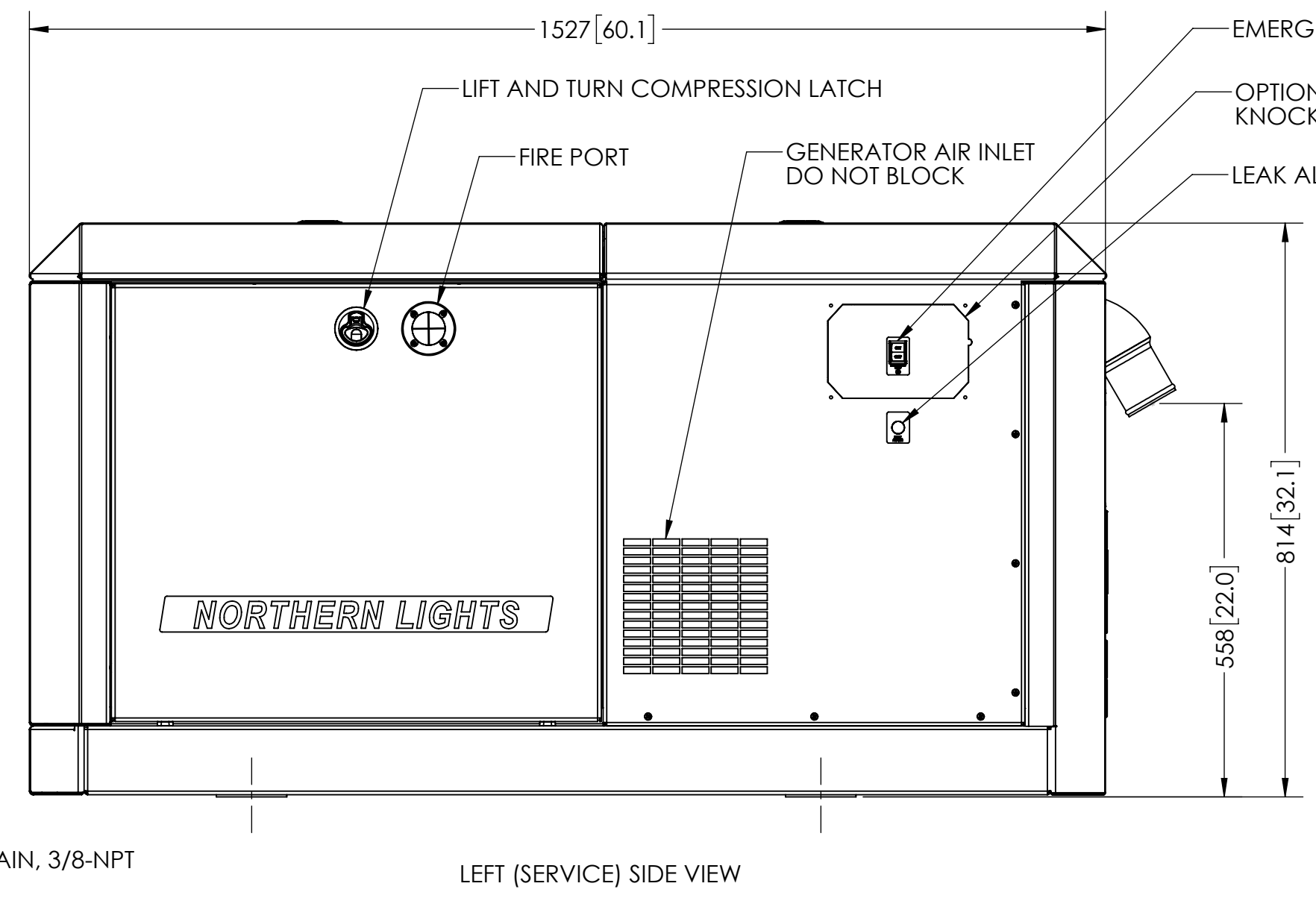
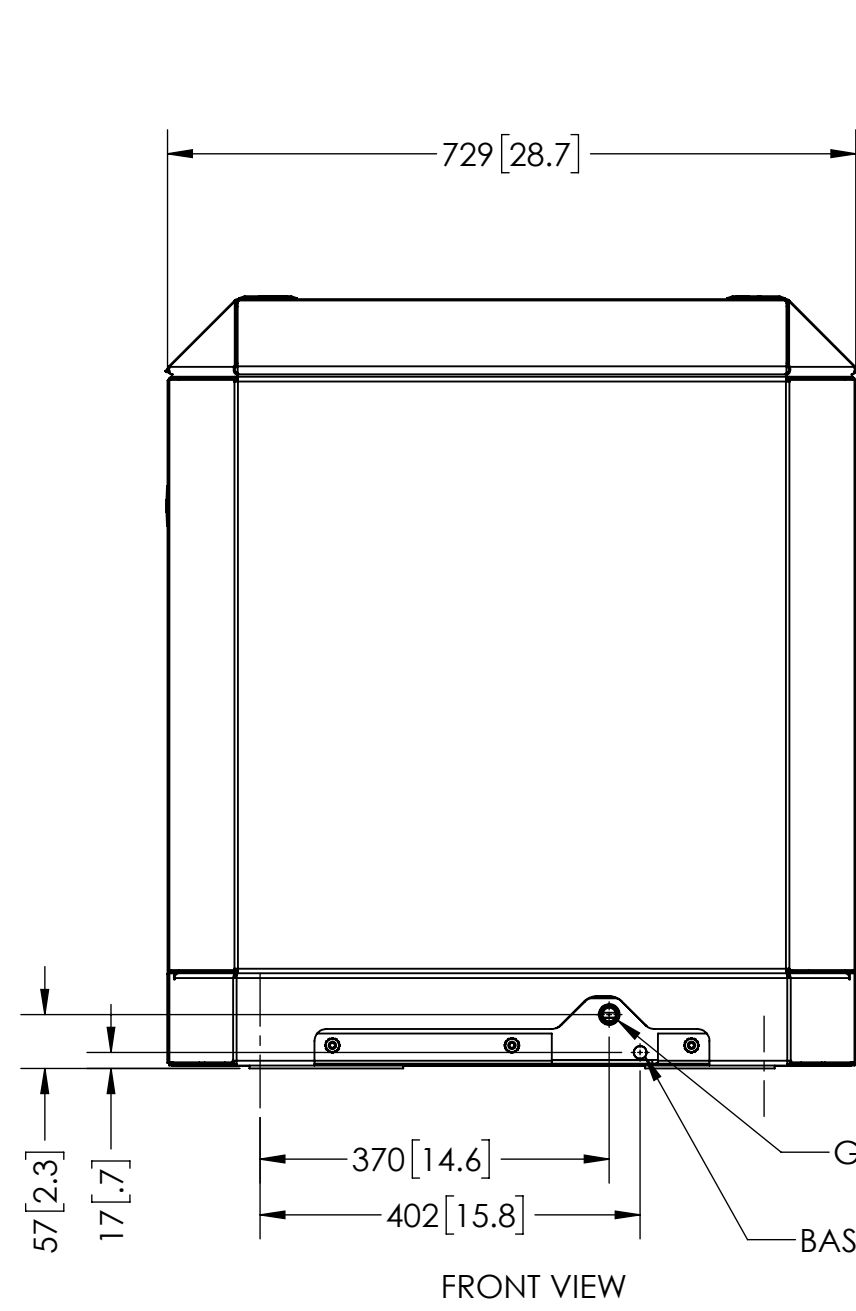
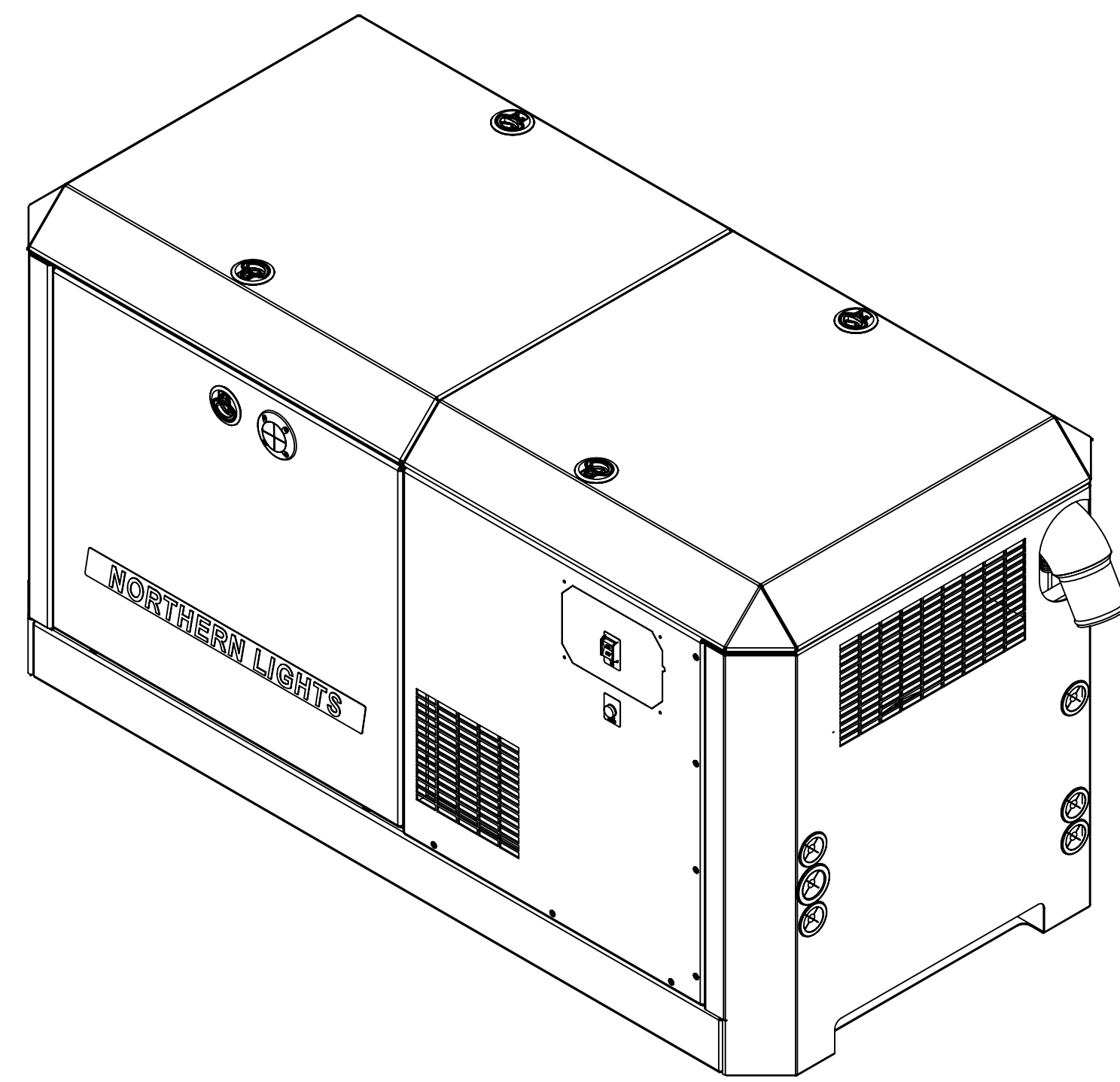
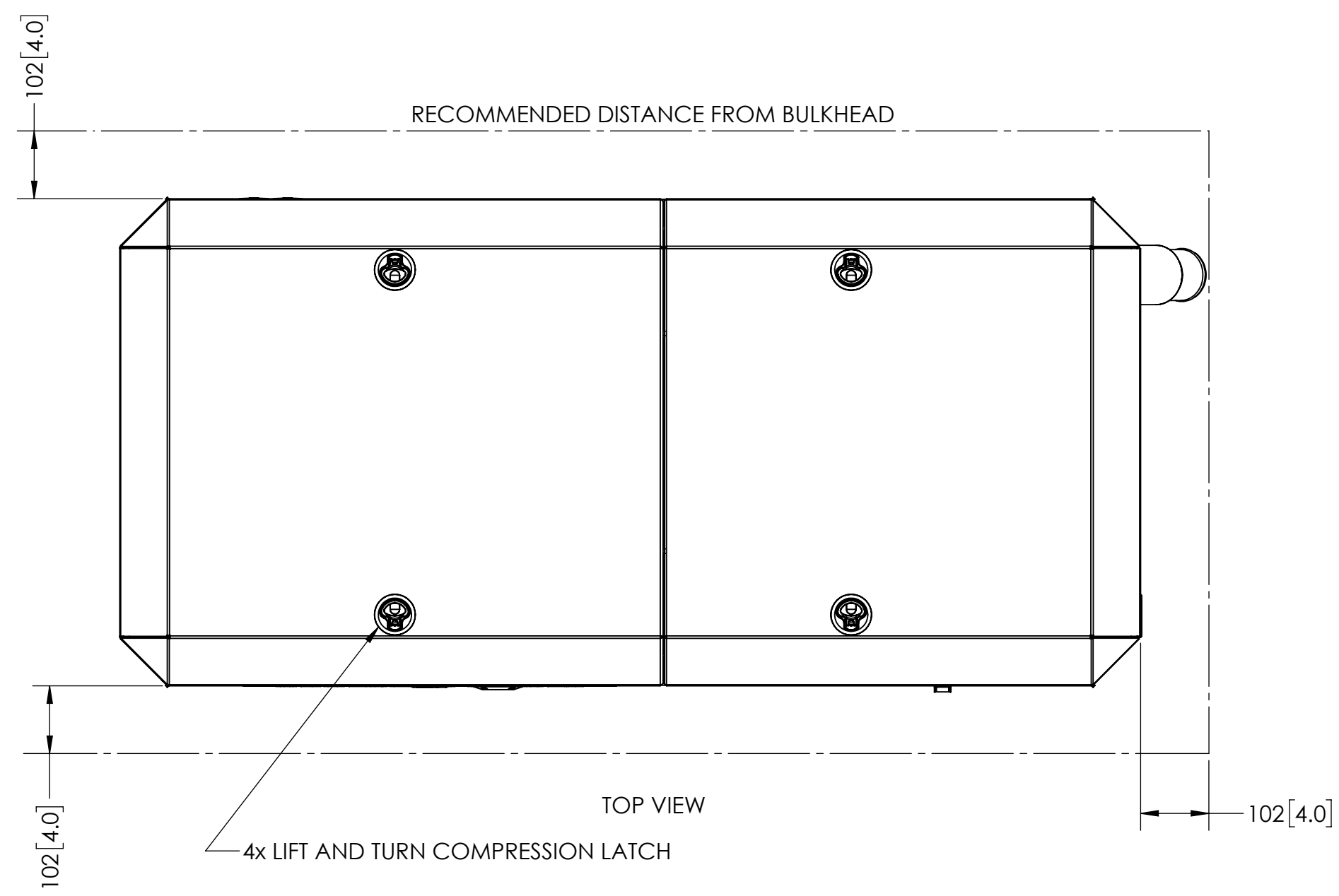


WEIGHT W/O GENSET 53 kg [117 lbs]	WEIGHT W/ GENSET 708 kg [1561 lbs]
APPLIES TO MODELS M944T3FG.1 M944T3FG.3	



UNLESS OTHERWISE SPECIFIED:
DIMENSIONS ARE IN INCHES
TOLERANCES:
ANGULAR: ±0.5°
HORIZONTAL: ±0.1
VERTICAL: ±0.03
X.XXX ± 0.005
INTERPRET GEOMETRIC TOLERANCING PER ASME Y14.5M

NAME	DATE
MK	10/14/19
LTP	10/14/19

PROPRIETARY AND CONFIDENTIAL
THE INFORMATION CONTAINED IN THIS DRAWING IS THE SOLE PROPERTY OF NORTHERN LIGHTS. ANY REPRODUCTION IN PART OR AS A WHOLE WITHOUT THE WRITTEN PERMISSION OF NORTHERN LIGHTS IS PROHIBITED.

DO NOT SCALE

REV.	DESCRIPTION	DATE	BY	CHECKED
A	UPDATE BASE FRAME WITH 13MM OFFSET, ADD ISOMETRIC VIEW AND APPLICATION TABLE, ECH# 7854	3/8/2022	MK	LTP

REVISIONS

NORTHERN LIGHTS

4420 14th AVE. N.W.
Seattle, WA 98107
(206) 789-3880
www.northern-lights.com

TITLE: **INSTALLATION DIMENSIONS M944T3F GEM SOUND SHIELD**

SIZE	PART NO.	DWG. NO.	REV
D	06-71260	D-5191	A

SCALE: 1:8 WEIGHT: SHEET 1 OF 1